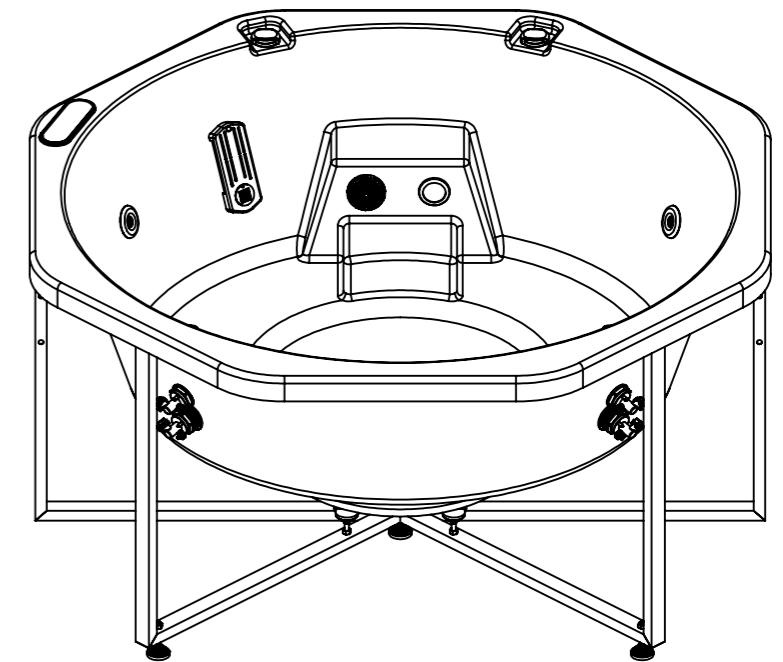
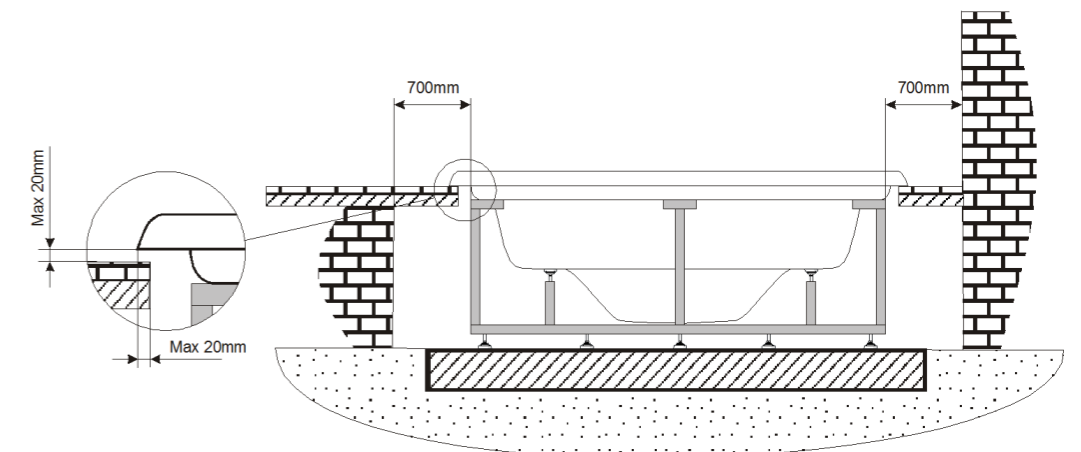


A	Suction-Water Massage Pump 1	Ø 50 FEMALE SOCKET
B	Return-Water Massage Pump 1	Ø 50 FEMALE SOCKET
C	Return-Air Massage	Ø 50 FEMALE SOCKET
D	Suction-Filtration Pump Bottom Spa	Ø 50 FEMALE SOCKET
E	Return-Filtration Pump Inlets	Ø 50 FEMALE SOCKET



**WARNING:**  
It's essential to keep a minimum clearance access of **700mm** all around.



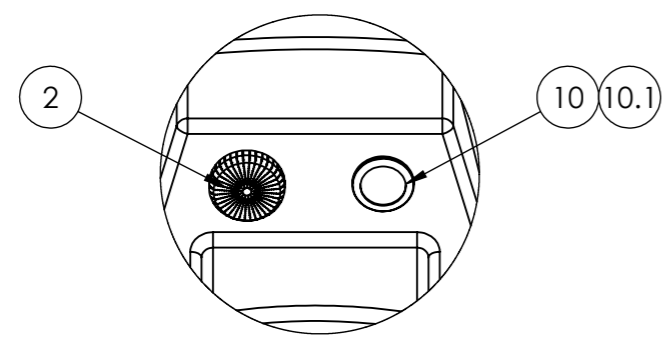
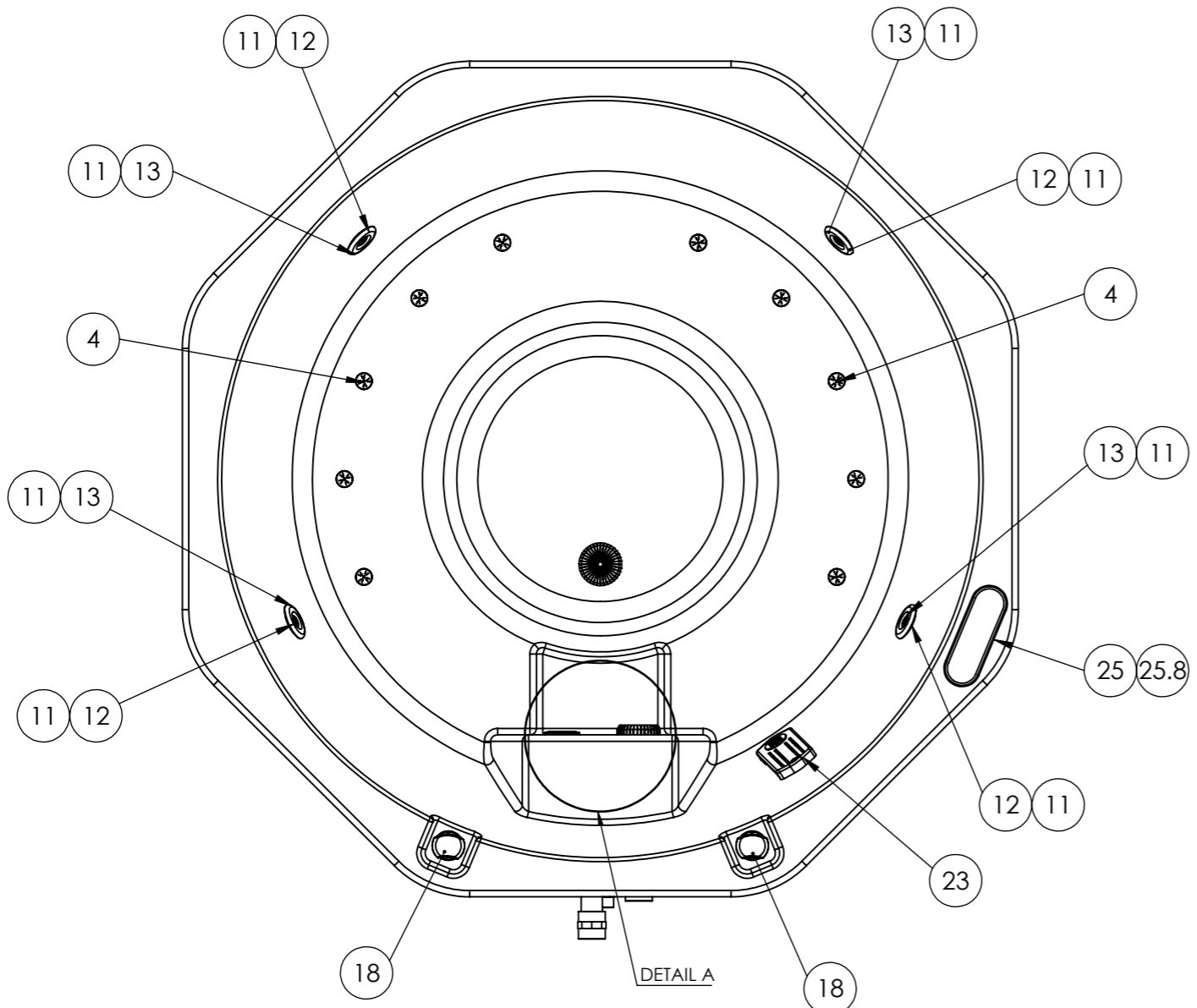
According to our policy of continuous improvement, dimensions, features or components of this product can be partially or completely changed without prior notice.  
It's Customer responsibility to verify that this is the last version of the drawing

16	10/05/2017	O. Faura	Changing of electronic parts references.
15	17/12/14	I.Pozo	Change tolerance heigh spa
14	15/10/14	I.Pozo	Change scale and New spare template
13	09/09/14	I.Pozo	Modification incorrect
12	19/05/14	I.Pozo	Change drawing views
Change No.	Date	Name	Modification

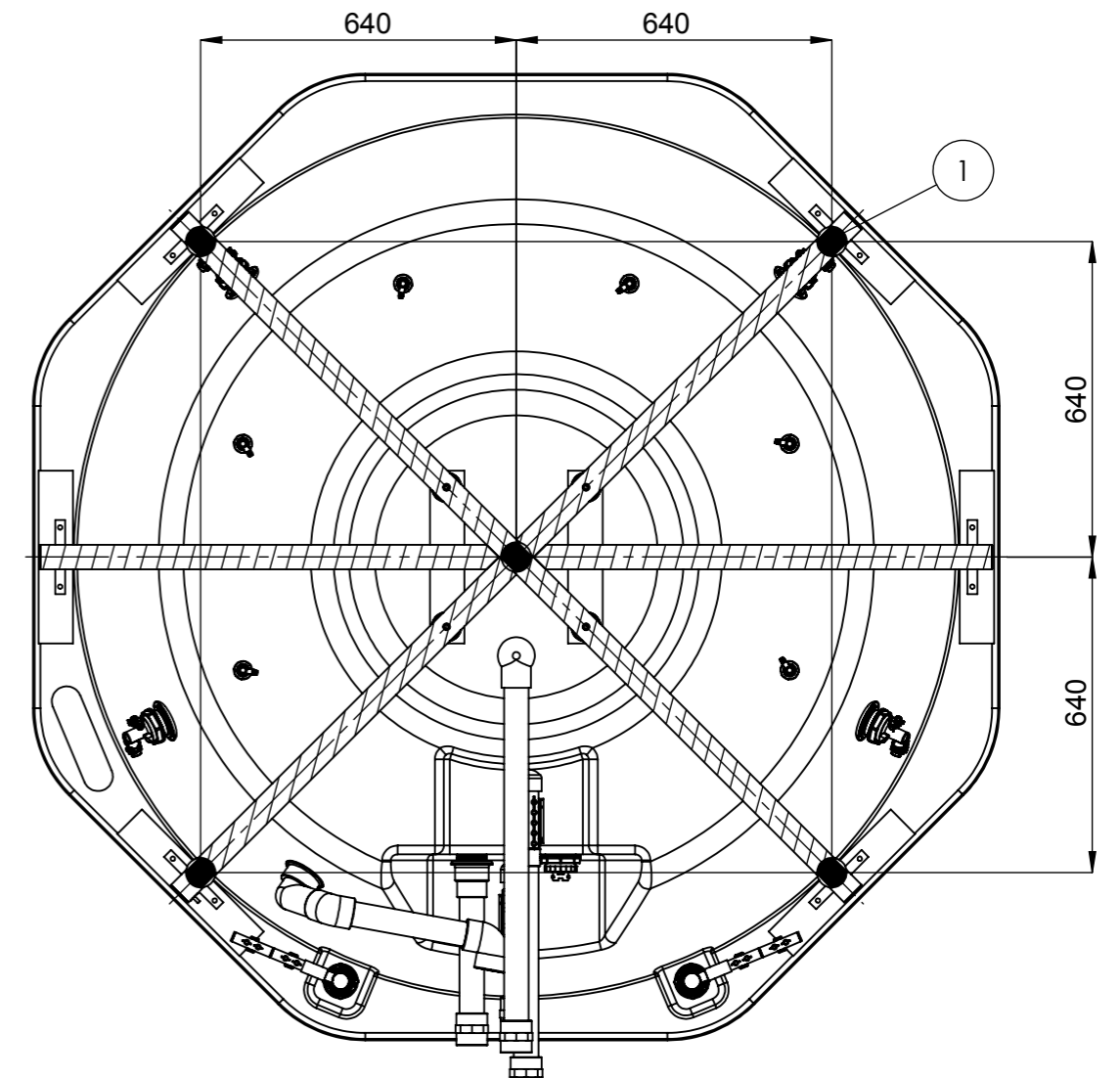
Remarks  
Dimensions in mm. General Tolerances +/- 10mm

Drawn		<b>IBERSPA</b>	Part Number	Rev.	First Angle Projection
Checked	-		04005	16	
Scale 1:15	General Tolerance DIN 7168 ISO 2768g				
Sheet 1/2					

ACCESSORIES			
Position Num.	Part N° SPARE	Description SPARE	Quant.
1	303325R	SPA SUPPORT	5
2	RPOR0225	GREY SPA DRAIN 2" ADAPTOR SOCKET D.50	1
3	RPOR0226	GREY SPA DRAIN 2" ADAPTOR ELBOW 90 D.50	1
4	REMP0046	WHITE-STAINLESS STEEL AIR NOZZLE	10
10	RPOR0239	SPOTLIGHT LED SET RD	1
10.1	RPOR0240	MASTER LED LIGHT	1
11	RPOR0236	JET BODY SET RD 3"	8
12	RPOR0231	FRONTAL JET 3" STAINLESS STEEL DIRECTIONAL	4
13	RPOR0233	FRONTAL JET 3" STAINLESS STEEL TWIN ROTO	4
18	RPOR0261	VENTURY CONTROLLER SS	2
23	REMP0014	SKIMMER SCREEN	1
25	RPOR0356	CONTROL PANEL TP800	1
25.8	RPOR0356-C	COVER DIGITAL STANDARD PANEL TP800 (1 PUMP + BLOWER)	1



**A (1 : 10)**



According to our policy of continuous improvement, dimensions, features or components of this product can be partially or completely changed without prior notice. It's Customer responsibility to verify that this is the last version of the drawing

16	10/05/2017	O. Faura	Changing of electronic parts references.
15	17/12/14	I.Pozo	Change tolerance heigh spa
14	15/10/14	I.Pozo	Change scale and New spare template
13	09/09/14	I.Pozo	Modification incorrect
12	19/05/14	I.Pozo	Change drawing views
Change No.	Date	Name	Modification

Remarks Dimensions in mm. General Tolerances +/- 10mm		<b>SPARE PARTS DRAWING</b>			
Drawn			Part Number	Rev.	First Angle Projection 
Checked	-		04005	16	
Scale 1:15	General Tolerance DIN 7168 ISO 2768g				
Sheet 2/2					
Property of IBERSPA S.L. Avda. Pla d'Urgell 2-8 25200 Cervera, Spain. Don't use without permission. Keep this information confidential and use it solely for the permitted purpose.					