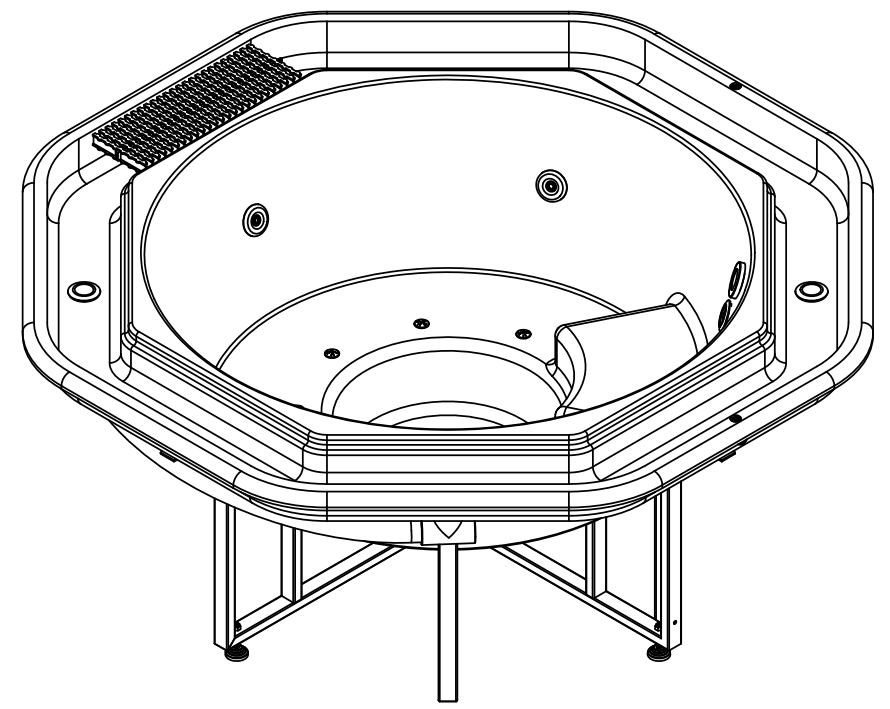


4x 63mm



↑ ↑  
HYDRAULIC CONNECTIONS ACCESS

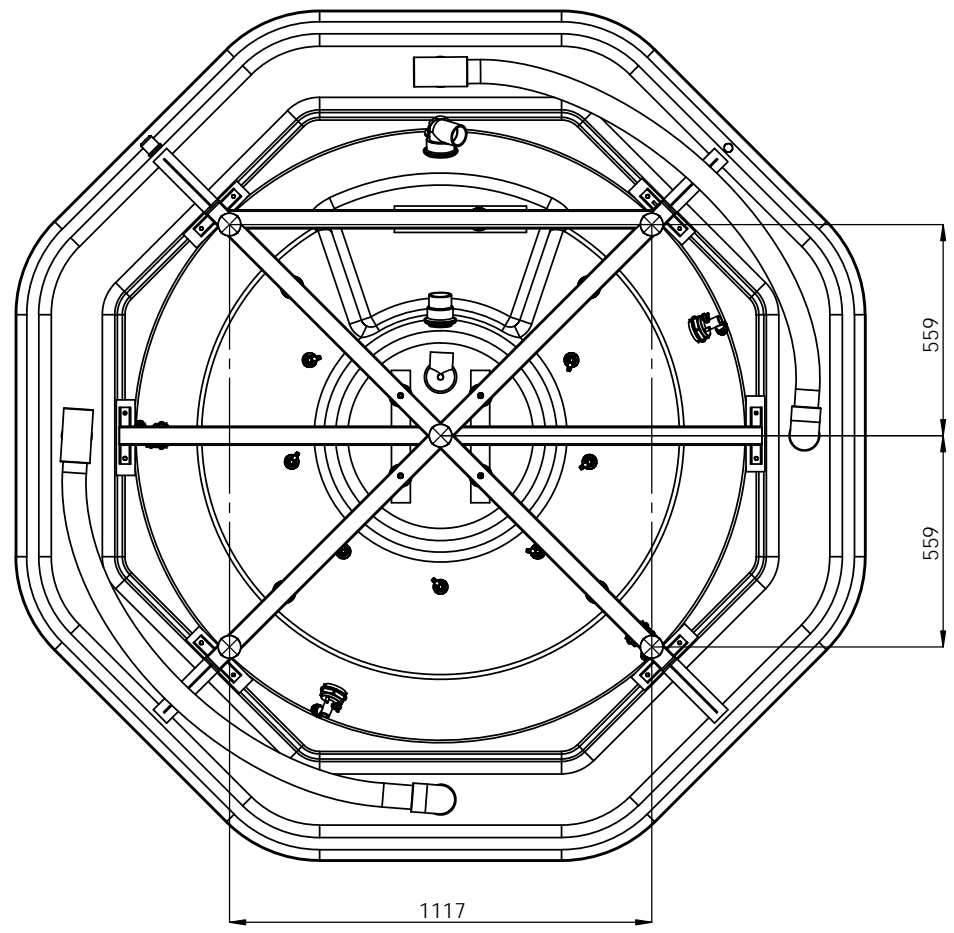
VALID FROM 15/01/2016

According to our policy of continuous improvement, dimensions, features or components of this product can be partially or completely changed without prior notice. It's Customer responsibility to verify that this is the last version of the drawing

Change No.	Date	Name	Modification
11	16/02/2016	I.Pozo	Change light and drain
10	12/06/2014	I.Pozo	New spare template
09	26/05/2014	I.Pozo	New Template
08	06/05/2010	--	Drawing Update
07	30/09/2009	--	Drawing Update

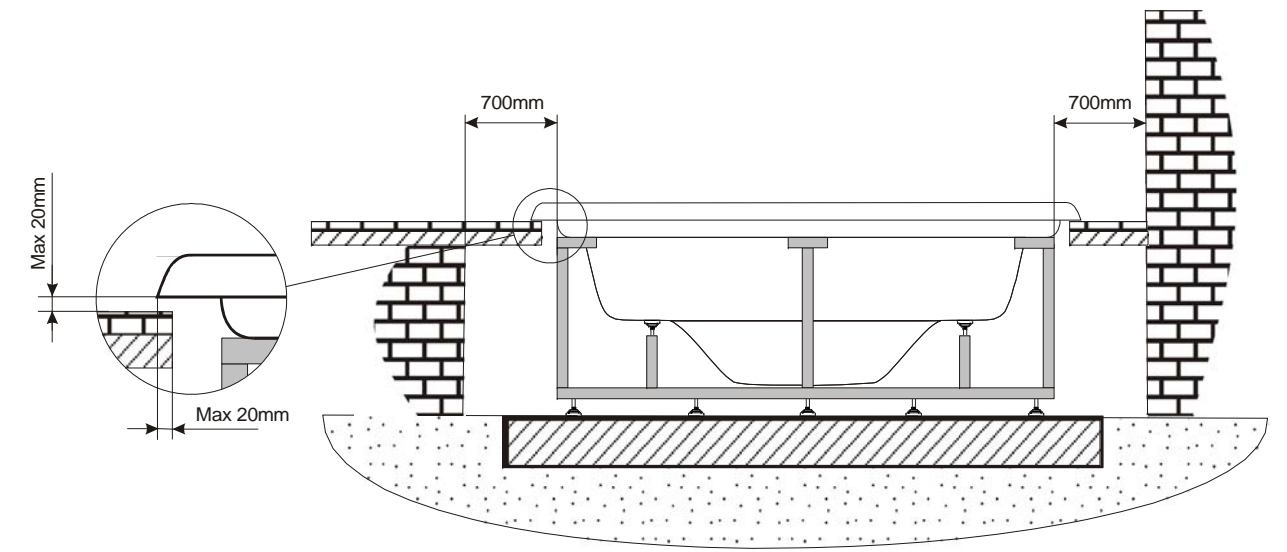
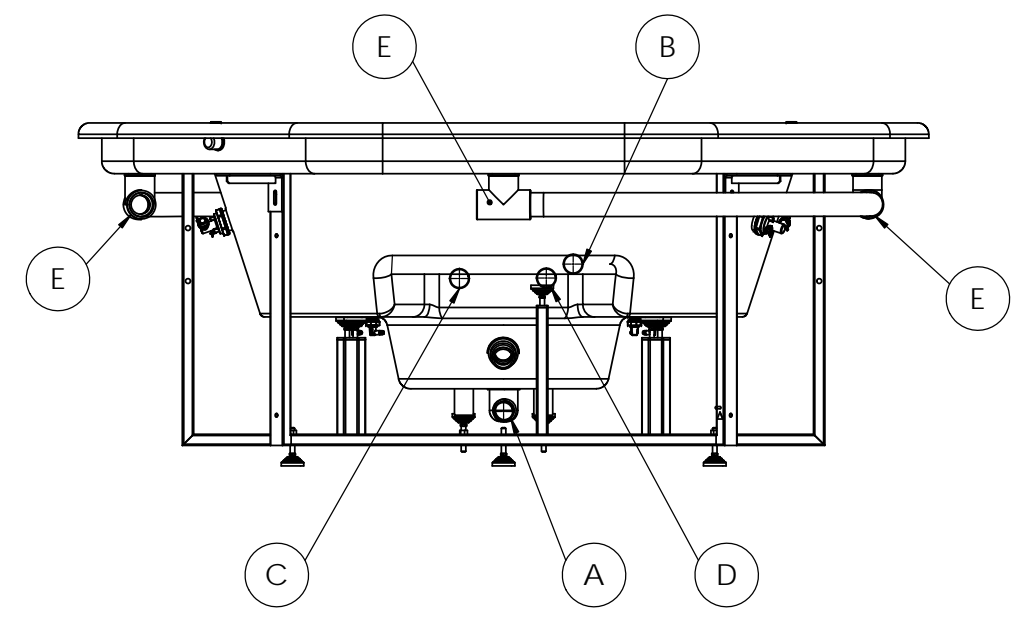
Remarks Dimensions in mm. General Tolerances +/- 10mm			COMMERCIAL		
Drawn	--	--		Part Number	Rev.
Checked	--	I.Nicolas		04007	11
Scale 1:20	General Tolerance DIN 7168 ISO 2768g				
Sheet 1/3					

A	Suction-Water Massage Pump 1	Ø 50 FEMALE SOCKET
B	Return-Water Massage Pump 1	Ø 50 FEMALE SOCKET
C	Return-Air Massage	Ø 50 FEMALE SOCKET
D	Return-Filtration Pump Inlets	Ø 50 FEMALE SOCKET
E	Overflow Drains (4x)	Ø 63 FEMALE SOCKET
F	Light	



VALID FROM 15/01/2016

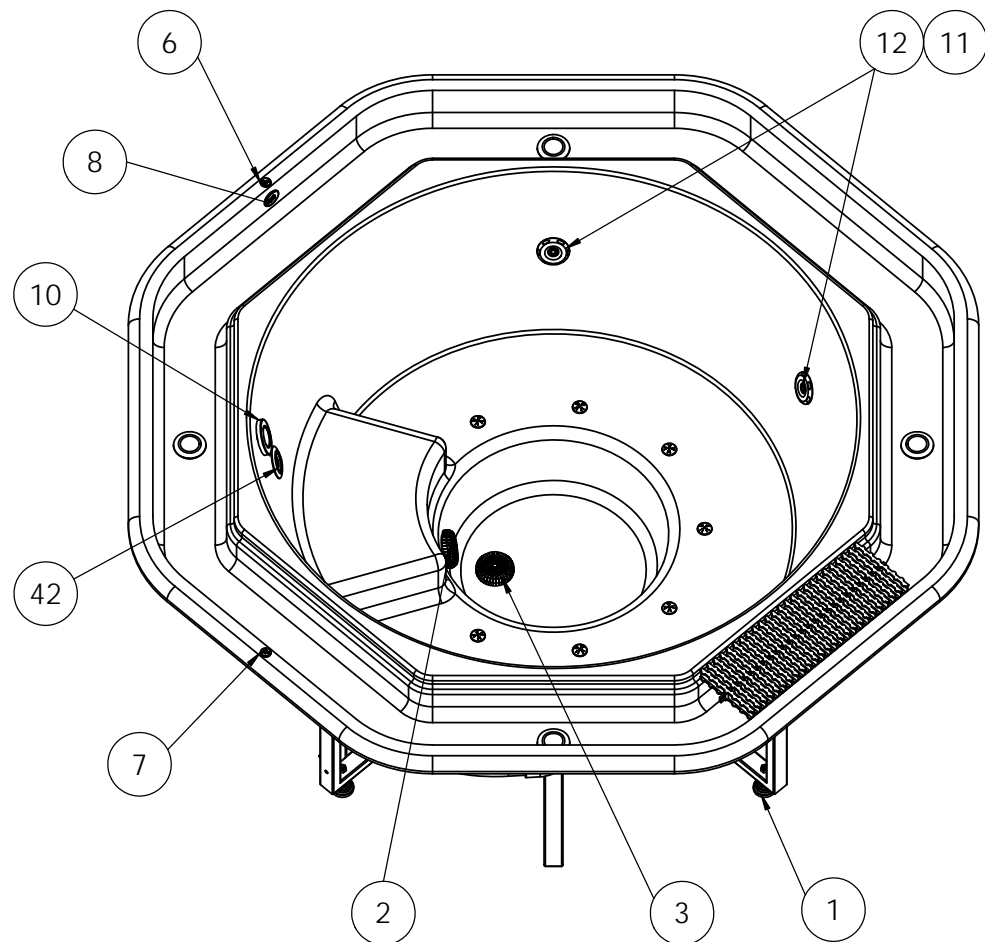
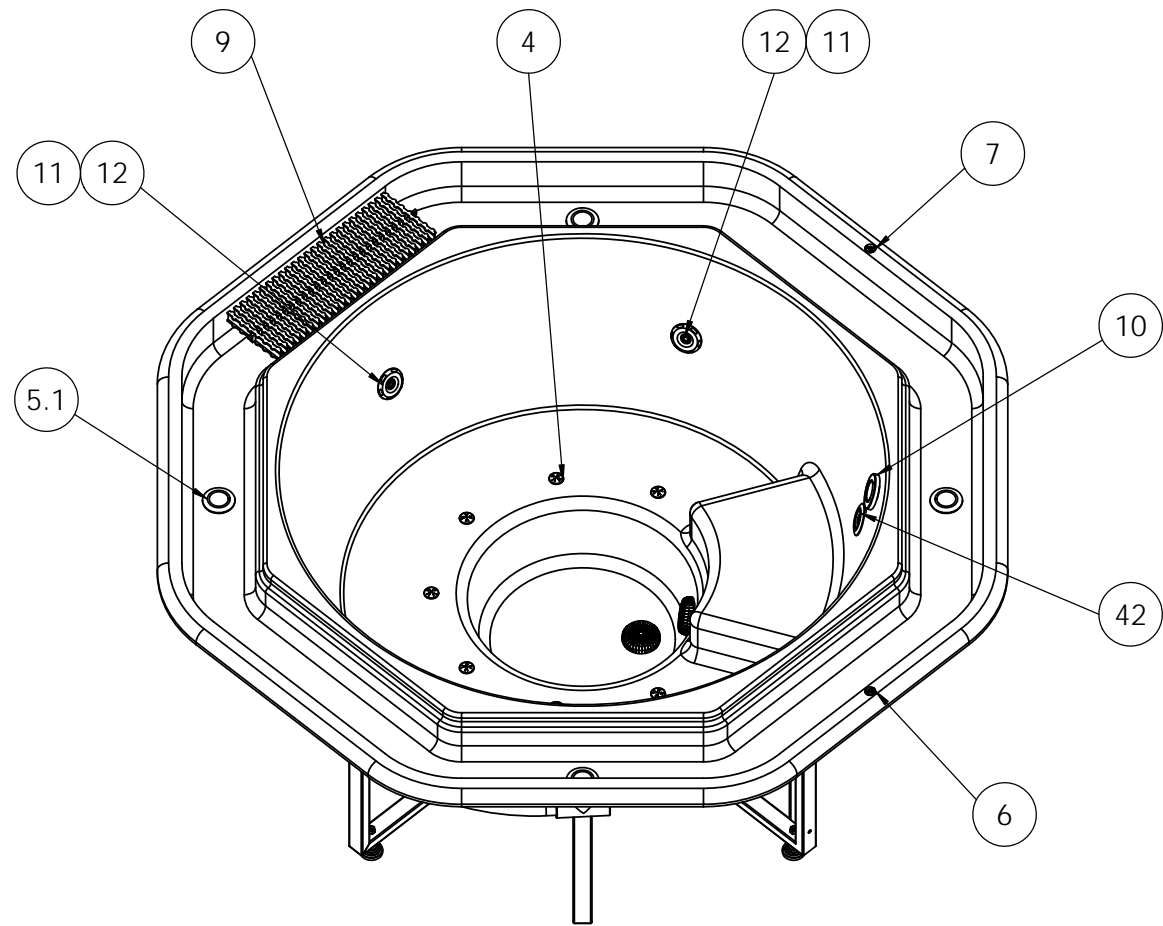
**WARNING:**  
It's essential to keep a minimum clearance access of **700mm** all around.



According to our policy of continuous improvement, dimensions, features or components of this product can be partially or completely changed without prior notice.  
It's Customer responsibility to verify that this is the last version of the drawing

Change No.	Date	Name	Modification
11	16/02/2016	I.Pozo	Change light and drain
10	12/06/2014	I.Pozo	New spare template
09	26/05/2014	I.Pozo	New Template
08	06/05/2010	--	Drawing Update
07	30/09/2009	--	Drawing Update

Remarks Dimensions in mm. General Tolerances +/- 10mm			<b>COMMERCIAL</b>		
Drawn	--	--		Part Number	Rev.
Checked	--	I.Nicolas		04007	11
Scale 1:20 Sheet 2/3	General Tolerance DIN 7168 ISO 2768g			First Angle Projection	
<small>Property of IBERSPA S.L. Avda. Pla d'Urgell 2-8 25200 Cervera, Spain. Don't use without permission. Keep this information confidential and use it solely for the permitted purpose.</small>					



WHITE JETS + WHITE LIGHT			
Position Num.	Part Nº SPARE	Description SPARE	Quant.
1	303325R	SPA SUPPORT	13
2	RPOR0223	WHITE SPA DRAIN 2" ADAPTOR SOCKET D.50	1
3	RPOR0224	WHITE SPA DRAIN 2" ADAPTOR ELBOW 90 D.50	1
4	REMP0029	KIT STORM AIR NOZZLE	7
5.1	REMP0055	PRESSURE NOZZLE 63 (GASKET 2 UNITS)	4
6	REMP0034	DIGITAL BUTTON IP68 ALUM. AIR	1
7	REMP0033	DIGITAL BUTTON IP68 ALUM. WATER	1
8	RPOR0003	GREY DRAIN SET - BODY+COVER+ASSEMBLY	1
9	REMP0032	DIN CURVED GRATING WIDTH 195 mm	317
10	RCOM0070	HIGH INTENSITY WHITE LED SPOTLIGHTS + WHITE ESCUTCHEON SPOTLIGHT	1
11	RPOR0236	JET BODY SET RD 3"	4
12	REMP0058	FRONTAL JET DIRECCIONAL 3"	4
42	REMP0010	PRESSURE NOZZLE	1

WHITE JETS + COLOUR LIGHT			
Position Num.	Part Nº SPARE	Description SPARE	Quant.
1	303325R	SPA SUPPORT	13
2	RPOR0223	WHITE SPA DRAIN 2" ADAPTOR SOCKET D.50	1
3	RPOR0224	WHITE SPA DRAIN 2" ADAPTOR ELBOW 90 D.50	1
4	REMP0029	KIT STORM AIR NOZZLE	7
5.1	REMP0055	PRESSURE NOZZLE 63 (GASKET 2 UNITS)	4
6	REMP0034	DIGITAL BUTTON IP68 ALUM. AIR	1
7	REMP0033	DIGITAL BUTTON IP68 ALUM. WATER	1
8	RPOR0003	GREY DRAIN SET - BODY+COVER+ASSEMBLY	1
9	REMP0032	DIN CURVED GRATING WIDTH 195 mm	317
10	RCOM0061	HIGH INTENSITY COLOURS LED SPOTLIGHTS + WITHE ESCUTCHEON SPOTLIGHT	1
11	RPOR0236	JET BODY SET RD 3"	4
12	REMP0058	FRONTAL JET DIRECCIONAL 3"	4
42	REMP0010	PRESSURE NOZZLE	1

STAINLESS STEEL JETS + WHITE LIGHT			
Position Num.	Part Nº SPARE	Description SPARE	Quant.
1	303325R	SPA SUPPORT	13
2	RPOR0223	WHITE SPA DRAIN 2" ADAPTOR SOCKET D.50	1
3	RPOR0224	WHITE SPA DRAIN 2" ADAPTOR ELBOW 90 D.50	1
4	REMP0046	WHITE-STAINLESS STEEL AIR NOZZLE	7
5.1	REMP0055	PRESSURE NOZZLE 63 (GASKET 2 UNITS)	4
6	REMP0034	DIGITAL BUTTON IP68 ALUM. AIR	1
7	REMP0033	DIGITAL BUTTON IP68 ALUM. WATER	1
8	RPOR0003	GREY DRAIN SET - BODY+COVER+ASSEMBLY	1
9	REMP0032	DIN CURVED GRATING WIDTH 195 mm	317
10	RCOM0071	HIGH INTENSITY WHITE LED SPOTLIGHTS + STAINLESS STEEL ESCUTCHEON SPOTLIGHT	1
11	RPOR0236	JET BODY SET RD 3"	4
12	RPOR0231	FRONTAL JET 3" STAINLESS STEEL DIRECTIONAL	4
42	REMP0010	PRESSURE NOZZLE	1

STAINLESS STEEL JETS + COLOUR LIGHT			
Position Num.	Part Nº SPARE	Description SPARE	Quant.
1	303325R	SPA SUPPORT	13
2	RPOR0223	WHITE SPA DRAIN 2" ADAPTOR SOCKET D.50	1
3	RPOR0224	WHITE SPA DRAIN 2" ADAPTOR ELBOW 90 D.50	1
4	REMP0046	WHITE-STAINLESS STEEL AIR NOZZLE	7
5.1	REMP0055	PRESSURE NOZZLE 63 (GASKET 2 UNITS)	4
6	REMP0034	DIGITAL BUTTON IP68 ALUM. AIR	1
7	REMP0033	DIGITAL BUTTON IP68 ALUM. WATER	1
8	RPOR0003	GREY DRAIN SET - BODY+COVER+ASSEMBLY	1
9	REMP0032	DIN CURVED GRATING WIDTH 195 mm	317
10	RCOM0063	HIGH INTENSITY COLOURS LED SPOTLIGHTS + STEEL ESCUTCHEON SPOTLIGHT	1
11	RPOR0236	JET BODY SET RD 3"	4
12	RPOR0231	FRONTAL JET 3" STAINLESS STEEL DIRECTIONAL	4
42	REMP0010	PRESSURE NOZZLE	1

VALID FROM 15/01/2016

According to our policy of continuous improvement, dimensions, features or components of this product can be partially or completely changed without prior notice. It's Customer responsibility to verify that this is the last version of the drawing

11	16/02/2016	I.Pozo	Change light and drain
10	12/06/2014	I.Pozo	New spare template
09	26/05/2014	I.Pozo	New Template
08	06/05/2010	--	Drawing Update
07	30/09/2009	--	Drawing Update
Change No.	Date	Name	Modification
Remarks			
Dimensions in mm. General Tolerances +/- 10mm			
Drawn	--	--	
Checked	--	I.Nicolas	
Scale 1:20	General Tolerance DIN 7168 ISO 2768g		
Sheet 3/3			
		Part Number	Rev.
		04007	11
		First Angle Projection	
Property of IBERSPA S.L. Avda. Pla d'Urgell 2-8 25200 Cervera, Spain. Don't use without permission. Keep this information confidential and use it solely for the permitted purpose.			