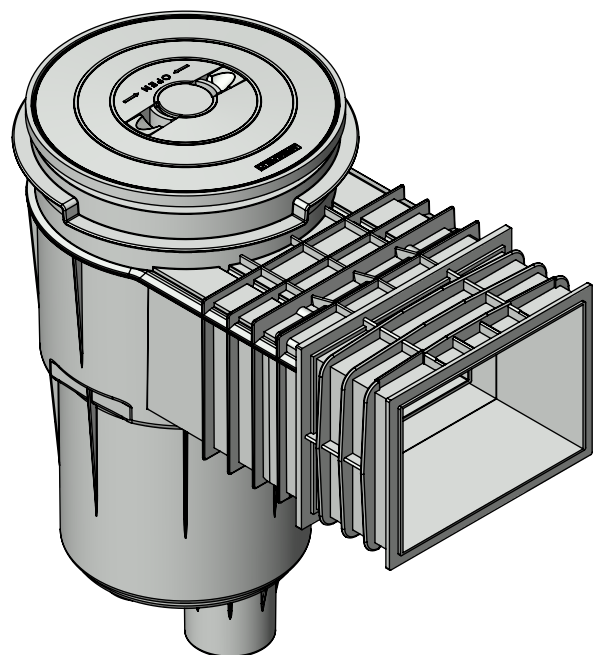
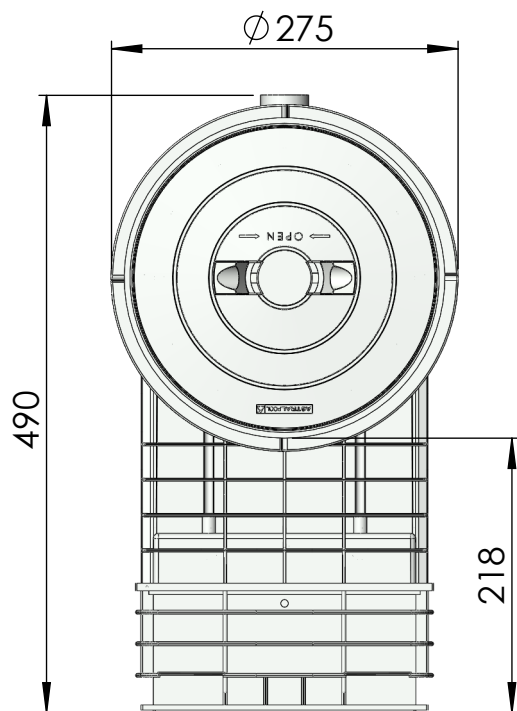
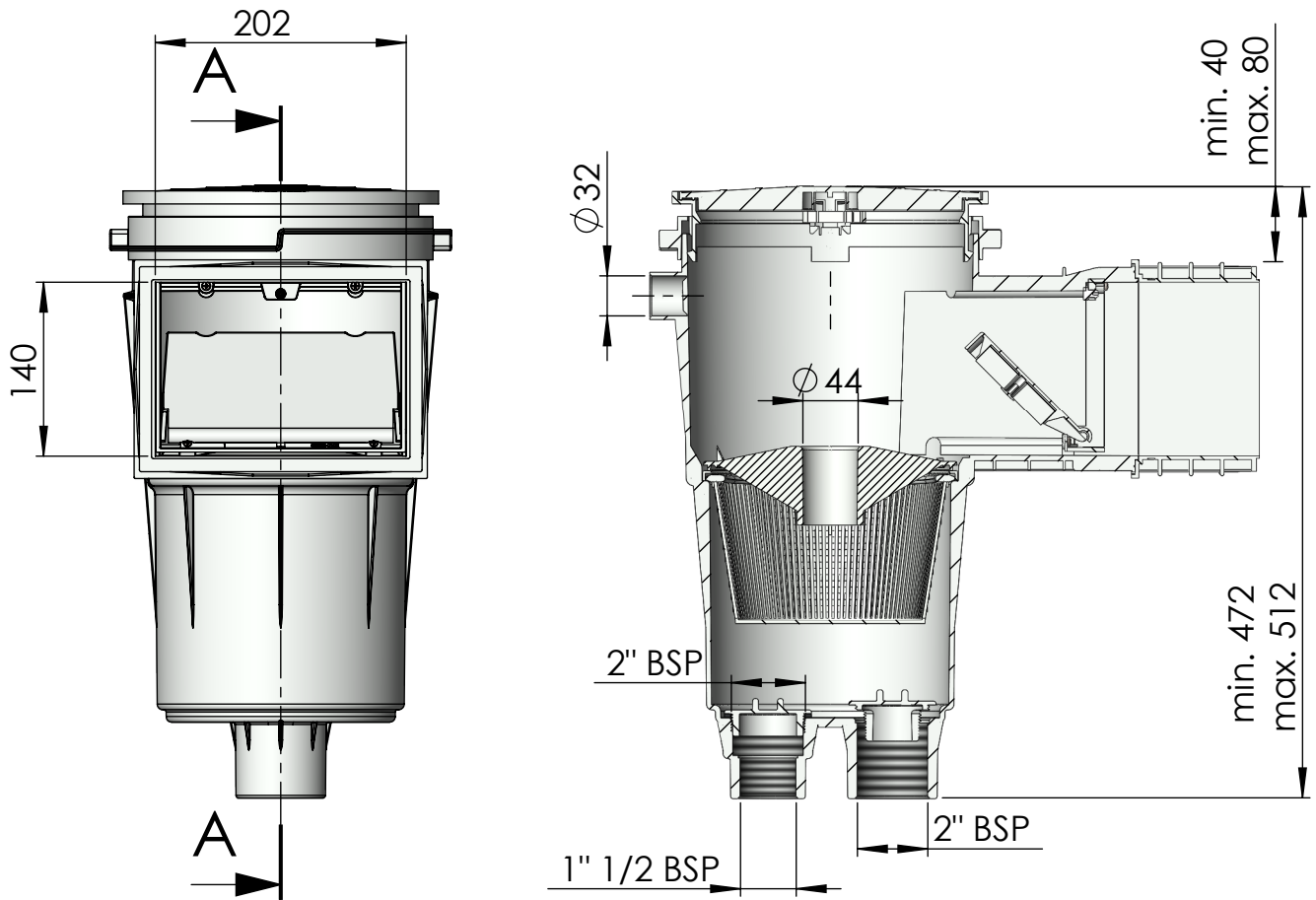


CODIGO / CODE: **05590**

DESCRIPCION: **SKIMMER 17,5L PP +ALLARGO B.STD T.CIRC**

DESCRIPTION: **17,5L SKIMMER WITH EXT. THROAT AND FACE PLATE**



Nota: Unidades en mm  
Note: Units in mm