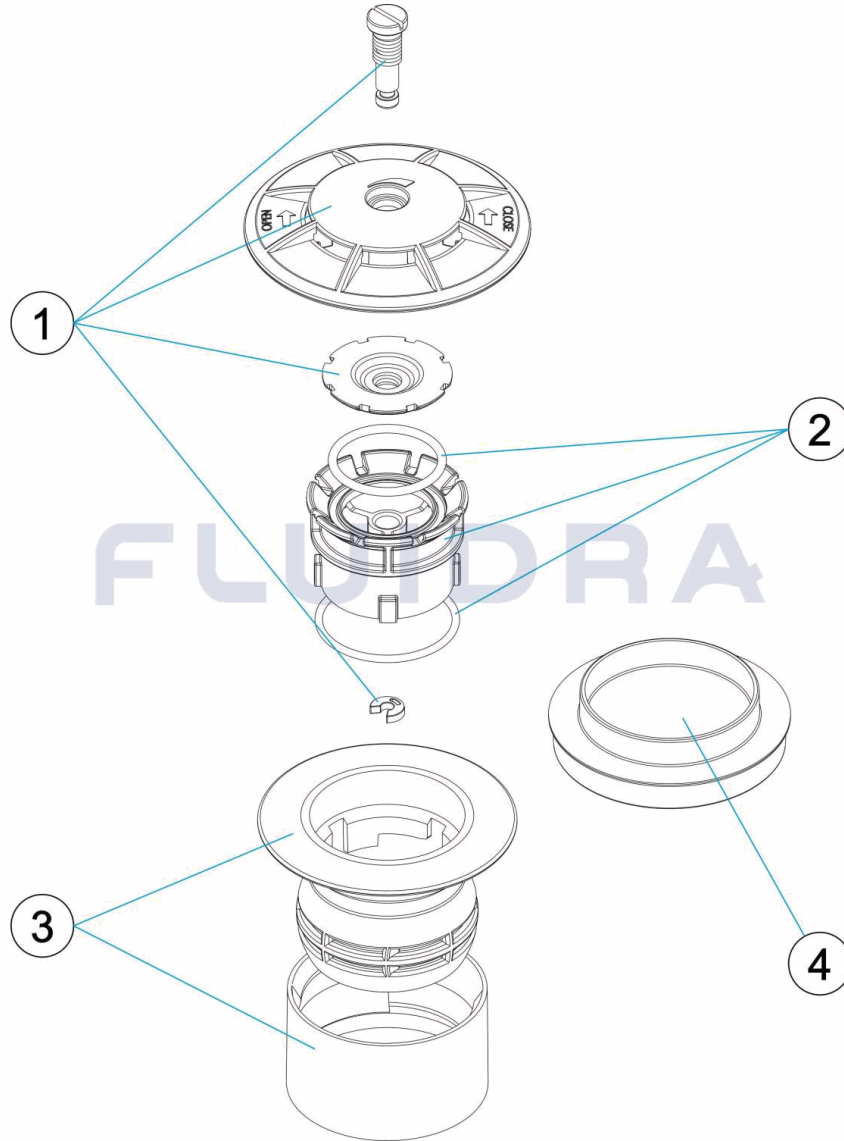


CODIGO 22353, 22353CL090, 22353CL129, 22353CL144

DESCRIPCION: BOQUILLA DE FONDO OSCILANTE



ESPAÑOL

POS	CODIGO	DESCRIPCION	POS	CODIGO	DESCRIPCION
1	* 4402043201	REJA Y COMPUERTA	2	* 4402040076	CUERPO BOQUILLA OSCILANTE
1	* 4402040073	REJA Y COMPUERTA	2	* 4402040077	CUERPO BOQUILLA OSCILANTE
1	* 4402040074	REJA Y COMPUERTA	2	* 4402040078	CUERPO BOQUILLA OSCILANTE
1	* 4402040075	REJA Y COMPUERTA	3	4402044501	CJTO. CUERPO Y SOPORTE CUERPO
2	* 4402043202	CUERPO BOQUILLA OSCILANTE	4	4402043203	TAPA BOQUILLA

CODIGO **22353, 22353CL090, 22353CL129, 22353CL144**

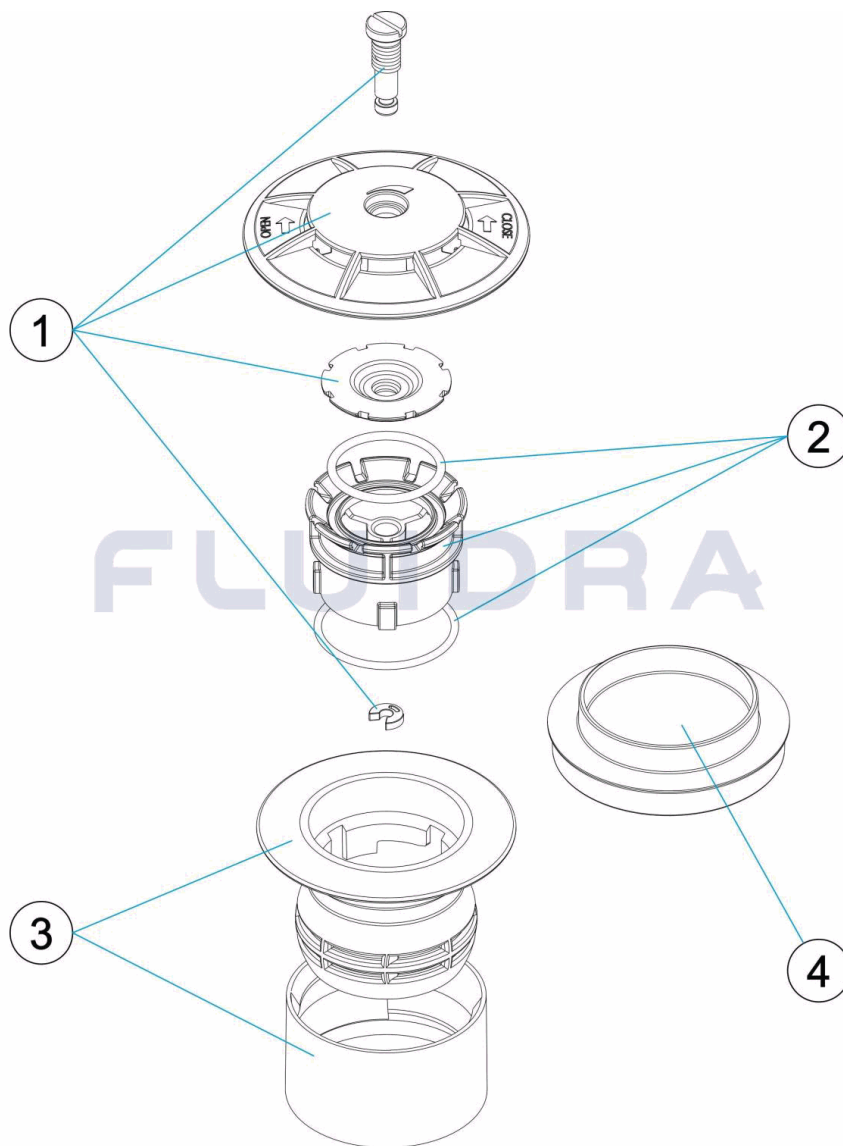
DESCRIPCION: BOQUILLA DE FONDO OSCILANTE

OBSERVACIONES

POS	CODIGO	OBSERVACIONES
1	4402043201	PARA: 22353 BLANCO / WHITE
1	4402040073	PARA: 22353CL090 BEIGE
1	4402040074	PARA: 22353CL129 GRIS / GREY
1	4402040075	PARA: 22353CL144 ANTRACITA / ANTHRACITE
2	4402043202	PARA: 22353 BLANCO / WHITE
2	4402040076	PARA: 22353CL090 BEIGE
2	4402040077	PARA: 22353CL129 GRIS / GREY
2	4402040078	PARA: 22353CL144 ANTRACITA / ANTHRACITE

CODE 22353, 22353CL090, 22353CL129, 22353CL144

DESCRIPTION: BUSE DE FOND OSCILLANTE



FRANCAIS

POS	CODE	DESCRIPTION	POS	CODE	DESCRIPTION
1	* 4402043201	GRILLE ET VOLET	2	* 4402040076	CORPS DE BOUCHE OSCILANTE
1	* 4402040073	GRILLE ET VOLET	2	* 4402040077	CORPS DE BOUCHE OSCILANTE
1	* 4402040074	GRILLE ET VOLET	2	* 4402040078	CORPS DE BOUCHE OSCILANTE
1	* 4402040075	GRILLE ET VOLET	3	4402044501	ENSEMBLE CORPS Y SUPPORT CORPS
2	* 4402043202	CORPS DE BOUCHE OSCILANTE	4	4402043203	COUVERCLE DE BUSE

CODE **22353, 22353CL090, 22353CL129, 22353CL144**

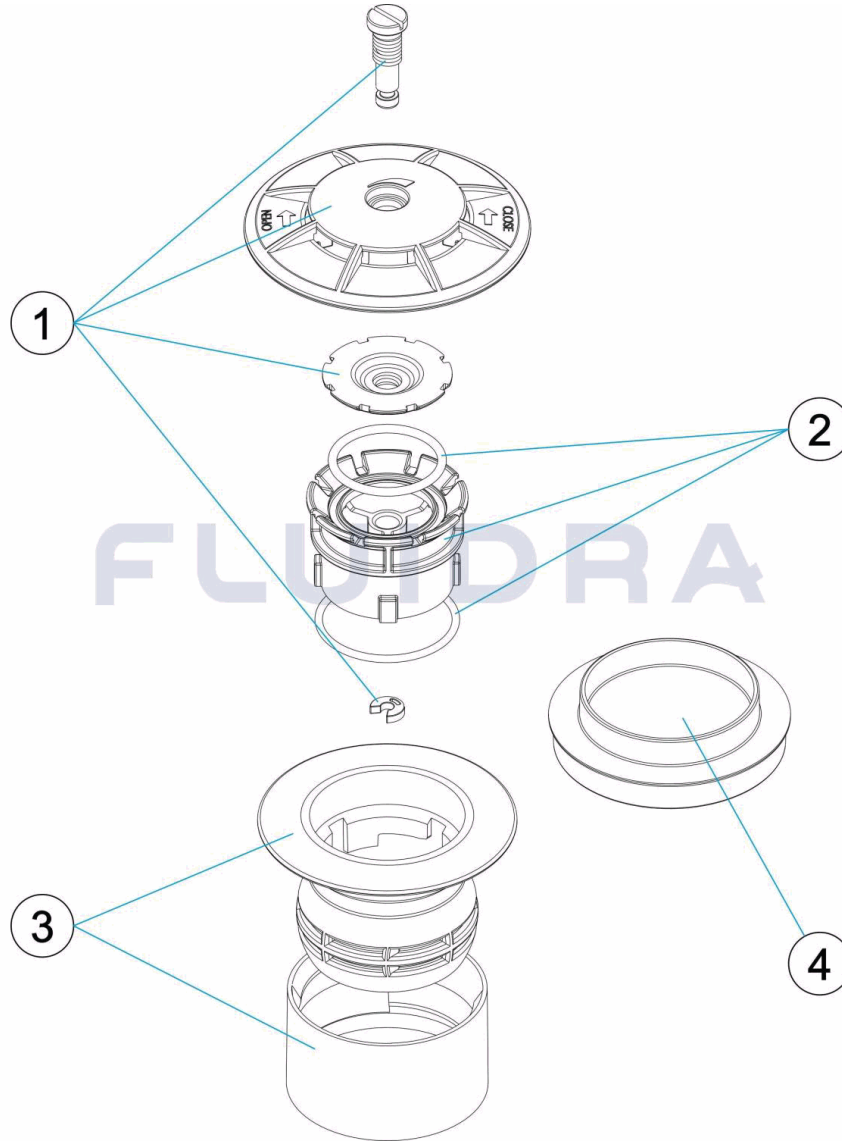
DESCRIPTION: **BUSE DE FOND OSCILLANTE**

OBSERVATIONS

POS	CODE	OBSERVATIONS
1	4402043201	POUR: 22353 BLANCO / WHITE
1	4402040073	POUR: 22353CL090 BEIGE
1	4402040074	POUR: 22353CL129 GRIS / GREY
1	4402040075	POUR: 22353CL144 ANTRACITA / ANTHRACITE
2	4402043202	POUR: 22353 BLANCO / WHITE
2	4402040076	POUR: 22353CL090 BEIGE
2	4402040077	POUR: 22353CL129 GRIS / GREY
2	4402040078	POUR: 22353CL144 ANTRACITA / ANTHRACITE

CODE **22353, 22353CL090, 22353CL129, 22353CL144**

DESCRIPTION: **BOTTOM SPRAY NOZZLE**



ENGLISH

POS	CODE	DESCRIPTION	POS	CODE	DESCRIPTION
1	* 4402043201	GRILLE AND FLAP	2	* 4402040076	REGULABLE INLET BODY
1	* 4402040073	GRILLE AND FLAP	2	* 4402040077	REGULABLE INLET BODY
1	* 4402040074	GRILLE AND FLAP	2	* 4402040078	REGULABLE INLET BODY
1	* 4402040075	GRILLE AND FLAP	3	4402044501	BODY AND BODY SUPPORT ASSY
2	* 4402043202	REGULABLE INLET BODY	4	4402043203	INLET COVER

CODE **22353, 22353CL090, 22353CL129, 22353CL144**

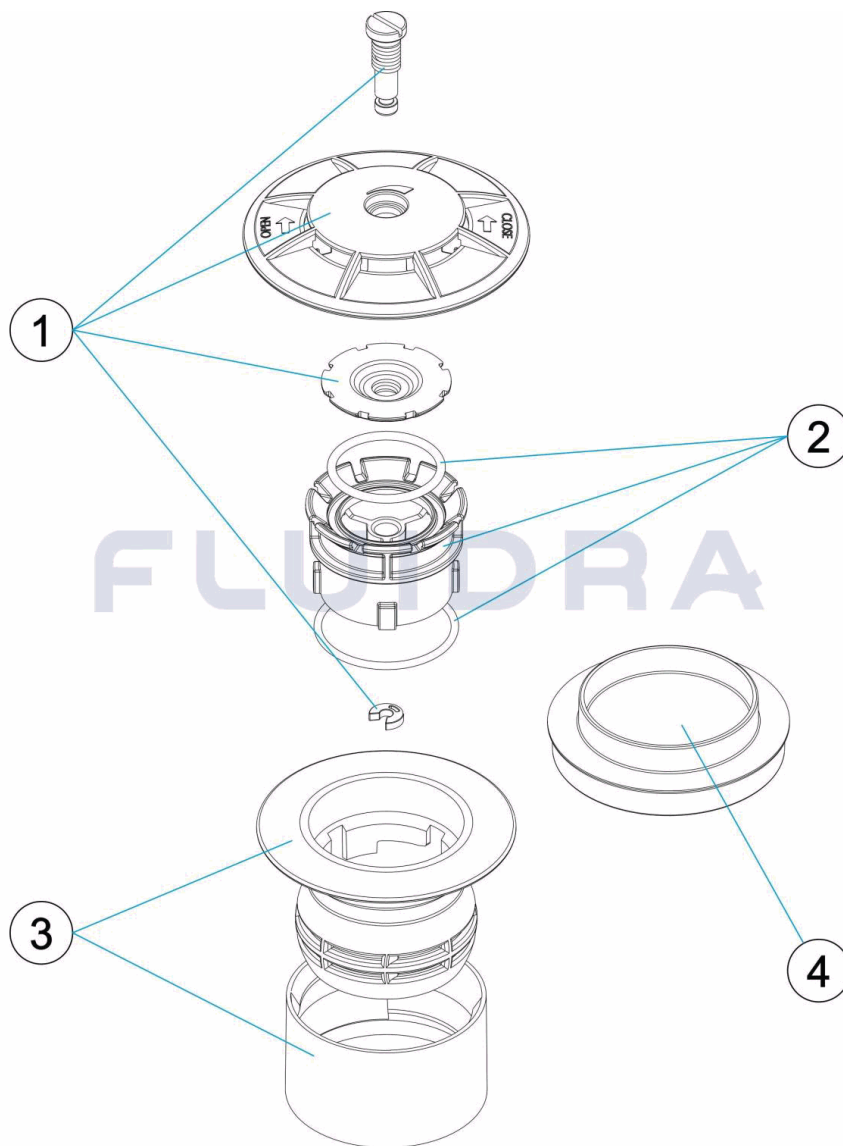
DESCRIPTION: **BOTTOM SPRAY NOZZLE**

OBSERVATIONS

POS	CODE	OBSERVATIONS
1	4402043201	FOR: 22353 BLANCO / WHITE
1	4402040073	FOR: 22353CL090 BEIGE
1	4402040074	FOR: 22353CL129 GRIS / GREY
1	4402040075	FOR: 22353CL144 ANTRACITA / ANTHRACITE
2	4402043202	FOR: 22353 BLANCO / WHITE
2	4402040076	FOR: 22353CL090 BEIGE
2	4402040077	FOR: 22353CL129 GRIS / GREY
2	4402040078	FOR: 22353CL144 ANTRACITA / ANTHRACITE

CODICE **22353, 22353CL090, 22353CL129, 22353CL144**

DESCRIZIONE: **BOCCHETTA DI FONDO OSCILLANTE**



ITALIANO

POS	CODICE	DESCRIZIONE	POS	CODICE	DESCRIZIONE
1	* 4402043201	GRIGLIA E BATTENTE	2	* 4402040076	CORPO BOCCHETTA OSCILLANTE
1	* 4402040073	GRIGLIA E BATTENTE	2	* 4402040077	CORPO BOCCHETTA OSCILLANTE
1	* 4402040074	GRIGLIA E BATTENTE	2	* 4402040078	CORPO BOCCHETTA OSCILLANTE
1	* 4402040075	GRIGLIA E BATTENTE	3	4402044501	GRUPPO CORPO E SUPPORTO CORPO
2	* 4402043202	CORPO BOCCHETTA OSCILLANTE	4	4402043203	COPERCHIO BOCCHETTA

CODICE **22353, 22353CL090, 22353CL129, 22353CL144**

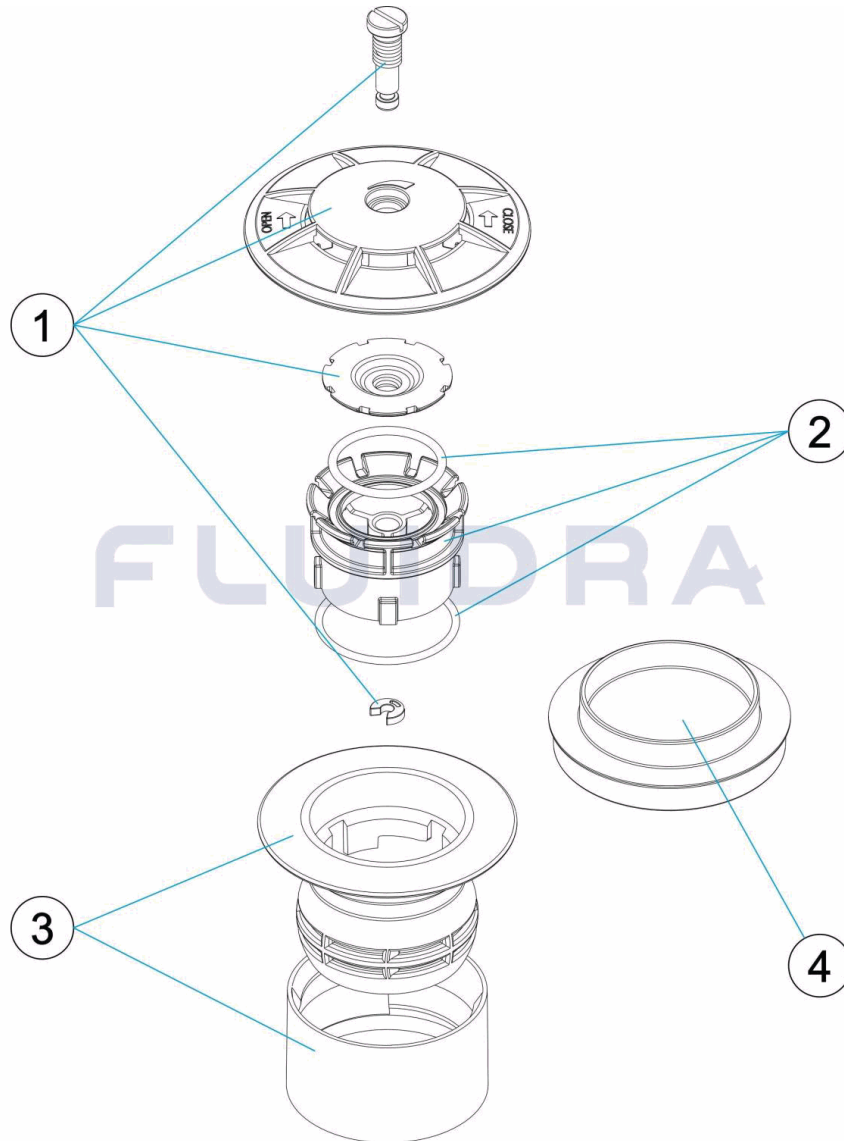
DESCRIZIONE: **BOCCHETTA DI FONDO OSCILLANTE**

OSSERVAZIONI

POS	CODICE	OSSERVAZIONI
1	4402043201	PER: 22353 BLANCO / WHITE
1	4402040073	PER: 22353CL090 BEIGE
1	4402040074	PER: 22353CL129 GRIS / GREY
1	4402040075	PER: 22353CL144 ANTRACITA / ANTHRACITE
2	4402043202	PER: 22353 BLANCO / WHITE
2	4402040076	PER: 22353CL090 BEIGE
2	4402040077	PER: 22353CL129 GRIS / GREY
2	4402040078	PER: 22353CL144 ANTRACITA / ANTHRACITE

CODE **22353, 22353CL090, 22353CL129, 22353CL144**

BESCHREIBUNG: **BODENDÜSE OSZILIEREND**



DEUTSCH

POS	CODE	BESCHREIBUNG	POS	CODE	BESCHREIBUNG
1	* 4402043201	GITTER UND KLAPPE	2	* 4402040076	GEHÄUSE DÜSE OSZILIEREND
1	* 4402040073	GITTER UND KLAPPE	2	* 4402040077	GEHÄUSE DÜSE OSZILIEREND
1	* 4402040074	GITTER UND KLAPPE	2	* 4402040078	GEHÄUSE DÜSE OSZILIEREND
1	* 4402040075	GITTER UND KLAPPE	3	4402044501	SET GEHÄUSE UND GEHÄUSEHALTERUNG
2	* 4402043202	GEHÄUSE DÜSE OSZILIEREND	4	4402043203	ABDECKUNG DÜSE

CODE **22353, 22353CL090, 22353CL129, 22353CL144**

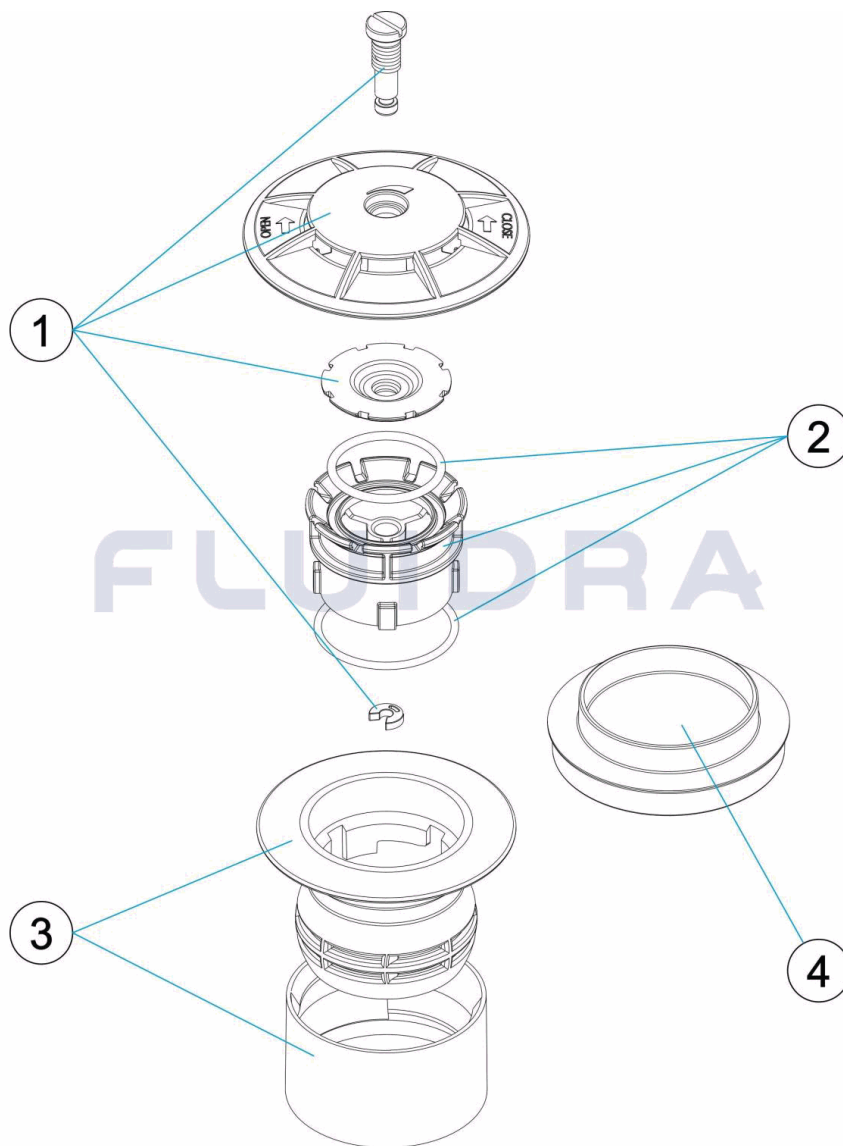
BESCHREIBUNG: **BODENDÜSE OSZILIEREND**

HINWEISE

POS	CODE	HINWEISE
1	4402043201	FÜR: 22353 BLANCO / WHITE
1	4402040073	FÜR: 22353CL090 BEIGE
1	4402040074	FÜR: 22353CL129 GRIS / GREY
1	4402040075	FÜR: 22353CL144 ANTRACITA / ANTHRACITE
2	4402043202	FÜR: 22353 BLANCO / WHITE
2	4402040076	FÜR: 22353CL090 BEIGE
2	4402040077	FÜR: 22353CL129 GRIS / GREY
2	4402040078	FÜR: 22353CL144 ANTRACITA / ANTHRACITE

CODIGO **22353, 22353CL090, 22353CL129, 22353CL144**

DESCRIÇÃO: **BOQUILHA DE FUNDO OSCILANTE**



PORTUGUES

POS	CODIGO	DESCRIÇÃO	POS	CODIGO	DESCRIÇÃO
1	* 4402043201	GRELHA E COMPORTA	2	* 4402040076	CORPO BOCA OSCILANTE
1	* 4402040073	GRELHA E COMPORTA	2	* 4402040077	CORPO BOCA OSCILANTE
1	* 4402040074	GRELHA E COMPORTA	2	* 4402040078	CORPO BOCA OSCILANTE
1	* 4402040075	GRELHA E COMPORTA	3	4402044501	CONJ.CORPO E SUPORTE CORPO
2	* 4402043202	CORPO BOCA OSCILANTE	4	4402043203	TAMPA BOCA

CODIGO **22353, 22353CL090, 22353CL129, 22353CL144**

DESCRIÇÃO: BOQUILHA DE FUNDO OSCILANTE

OBSERVAÇÕES

POS	CODIGO	OBSERVAÇÕES
1	4402043201	PARA: 22353 BLANCO / WHITE
1	4402040073	PARA: 22353CL090 BEIGE
1	4402040074	PARA: 22353CL129 GRIS / GREY
1	4402040075	PARA: 22353CL144 ANTRACITA / ANTHRACITE
2	4402043202	PARA: 22353 BLANCO / WHITE
2	4402040076	PARA: 22353CL090 BEIGE
2	4402040077	PARA: 22353CL129 GRIS / GREY
2	4402040078	PARA: 22353CL144 ANTRACITA / ANTHRACITE