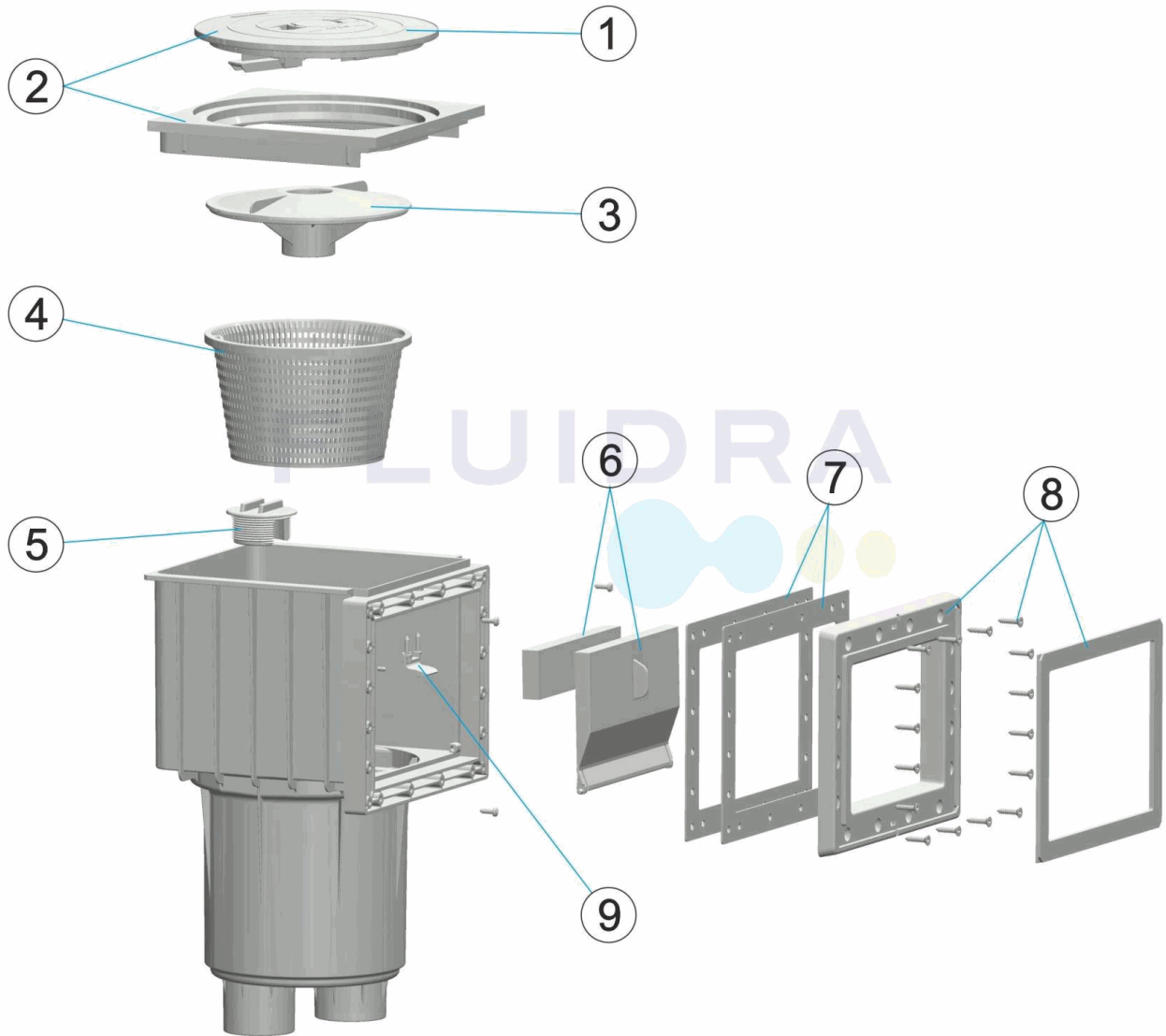


CODIGO **58609**

DESCRIPCION: **SKIMMER SPS 250 SIN INSERTOS**

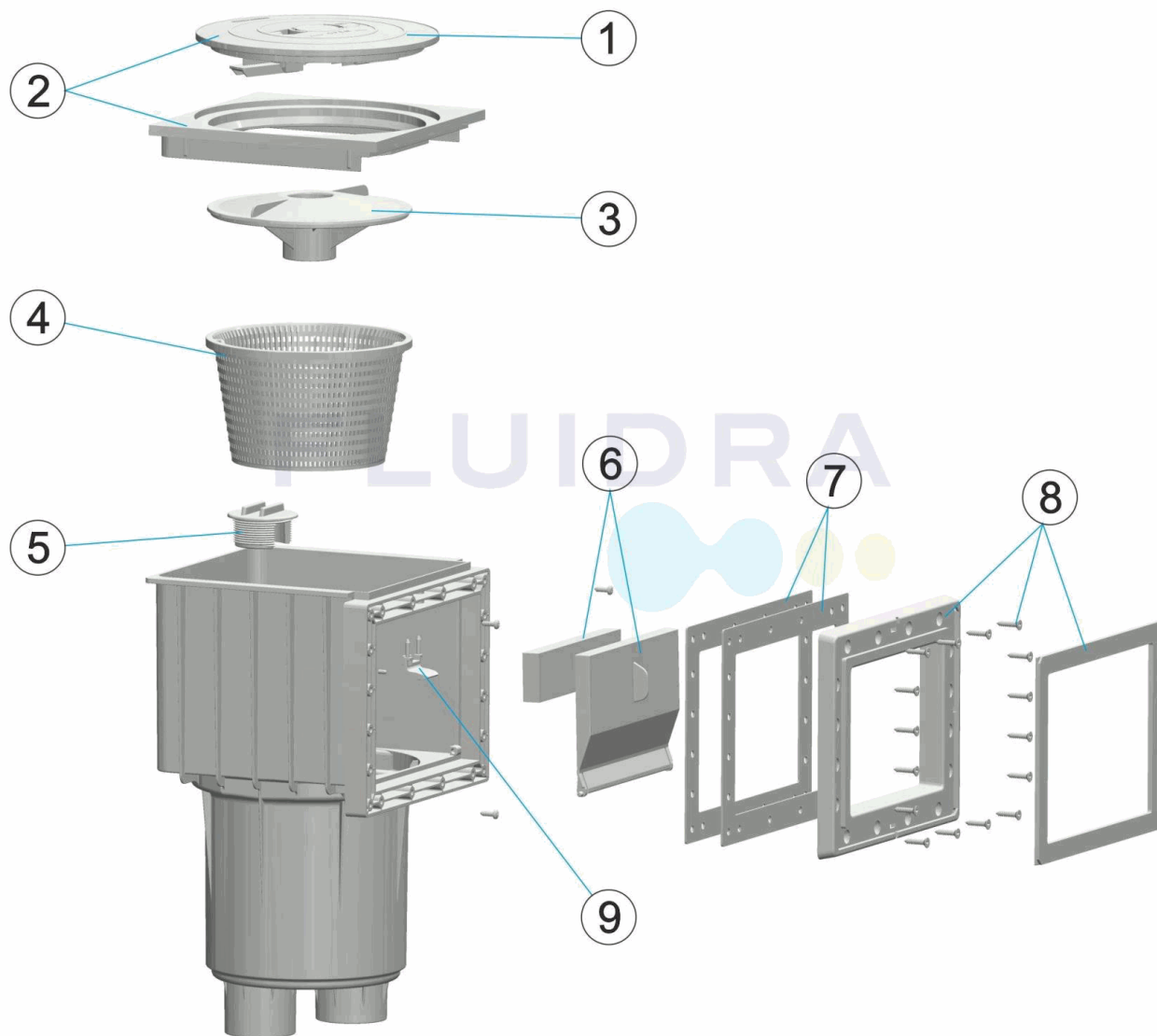


**ESPAÑOL**

POS	CODIGO	DESCRIPCION	POS	CODIGO	DESCRIPCION
1	4402010509	TAPA SKIMMER	6	4402010036	COMPUERTA CON FLOTADOR
2	4402010035	CJTO. TAPA CON MARCO CUADRADO	7	4402010307	JUNTA SKIMMER PEQUEÑA PISC. PREF.
3	4402010505	TAPA CESTO SKIMMER	8	4402010312	MARCO PEQUEÑO SKIMMER (PARKER)
4	4402010504	CESTO SKIMMER 17,5 LTS.	9	4402010059	CJTO. FRENO COMPUERTA SKIMMER
5	4402010502	TAPON REGULADOR			

CODE **58609**

DESCRIPTION: **SKIMMER 17,5L PP O LARGE C. CIRCULAIRE AUTR.**

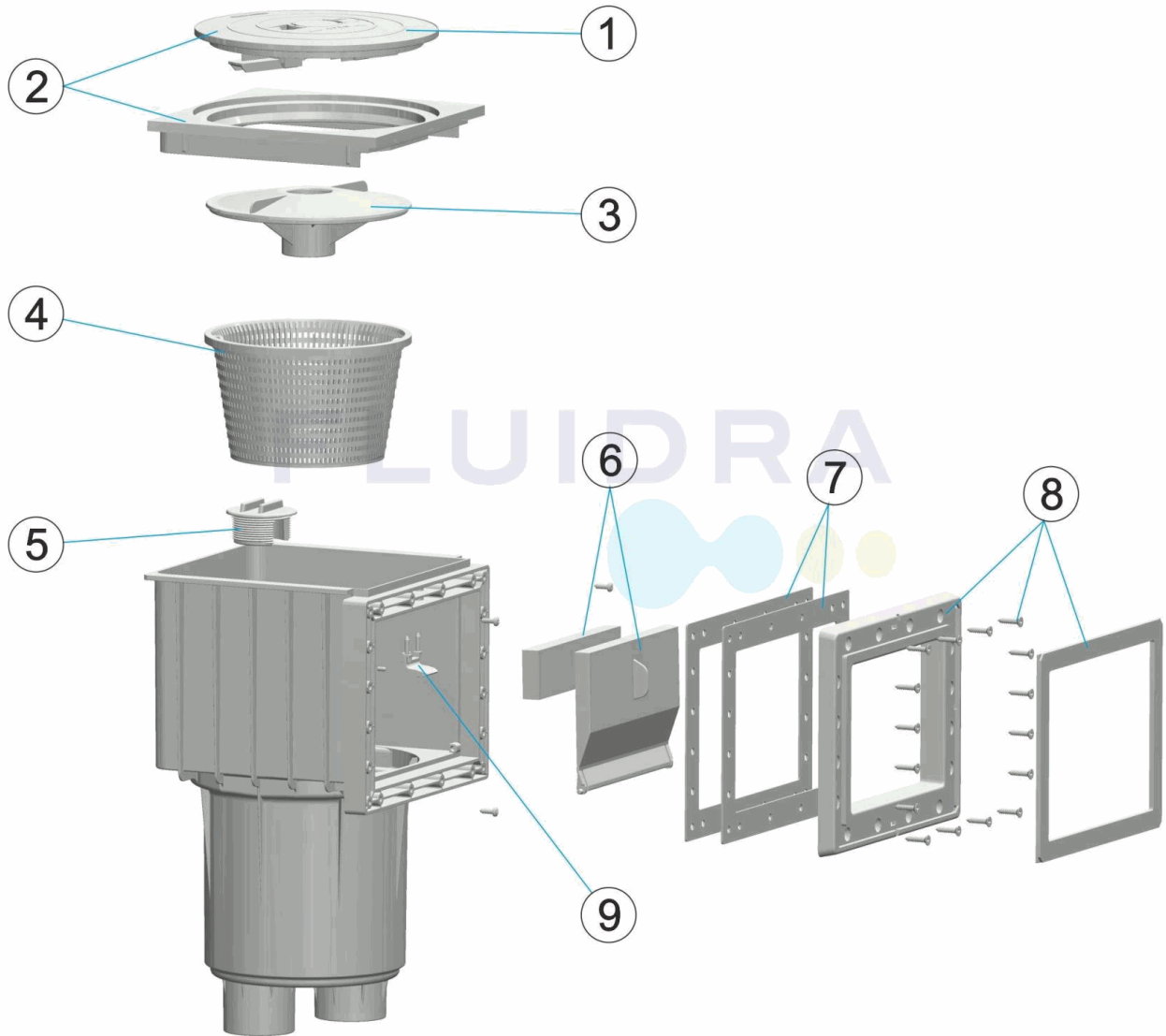


**FRANCAIS**

POS	CODE	DESCRIPTION	POS	CODE	DESCRIPTION
1	4402010509	COUVERCLE ROND DE SKIMMER	6	4402010036	PORTILLON AVEC FLOTTEUR
2	4402010035	ENS. COUVERCLE À CADRE CARRÉ	7	4402010307	JOINT SKIM PETIT MODELE PISCINE LINER
3	4402010505	COUVERCLE PANIER SKIMMER	8	4402010312	PETIT CADRE SKIMMER (PARKER)
4	4402010504	PANIER SKIMMER 17,5 LTS	9	4402010059	RÉGLAGE FREIN PORTE SKIMMER
5	4402010502	BOUCHON REGULATEUR			

CODE **58609**

DESCRIPTION: **SKIMMER 17.5L PP WIDE MOUTH ROUND COVER THREAD-FORMING SCREW**

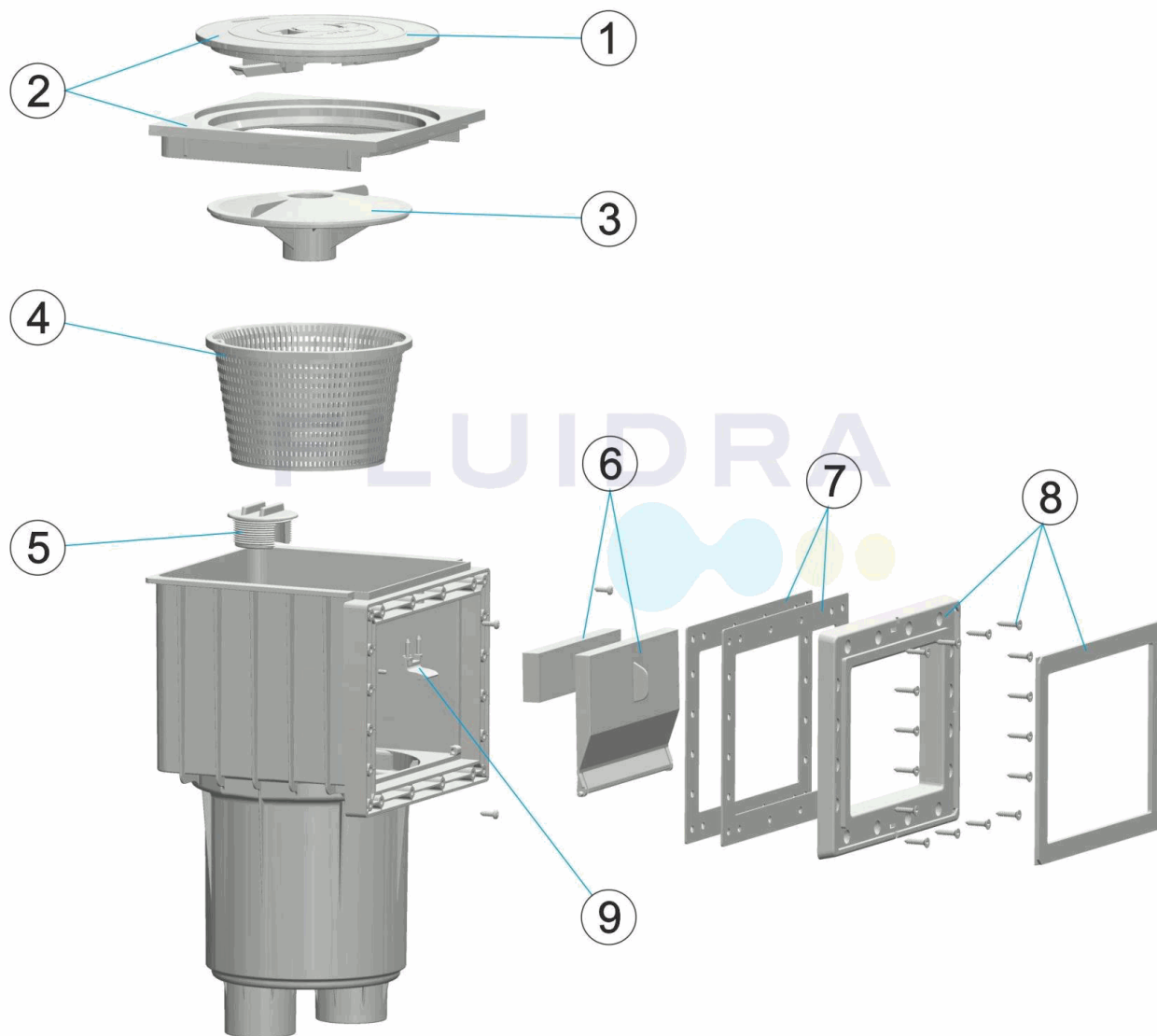


**ENGLISH**

POS	CODE	DESCRIPTION	POS	CODE	DESCRIPTION
1	4402010509	SKIMMER LID	6	4402010036	FLAP WITH FLOAT
2	4402010035	COVER ASSY. WITH SQUARE FRAME	7	4402010307	SMALL SKIMMER GASKETS FOR LINER POOL
3	4402010505	VACUUM PLATE	8	4402010312	SMALL SKIMMER FRAME (PARKER)
4	4402010504	BASKET 17,5 LITRES	9	4402010059	SET BRAKE GATE SKIMMER
5	4402010502	REGULATING PLUG			

CODICE **58609**

DESCRIZIONE: **SKIMMER 17,5L PP B. LARGA TAPPO CIRCOLARE AUT.**

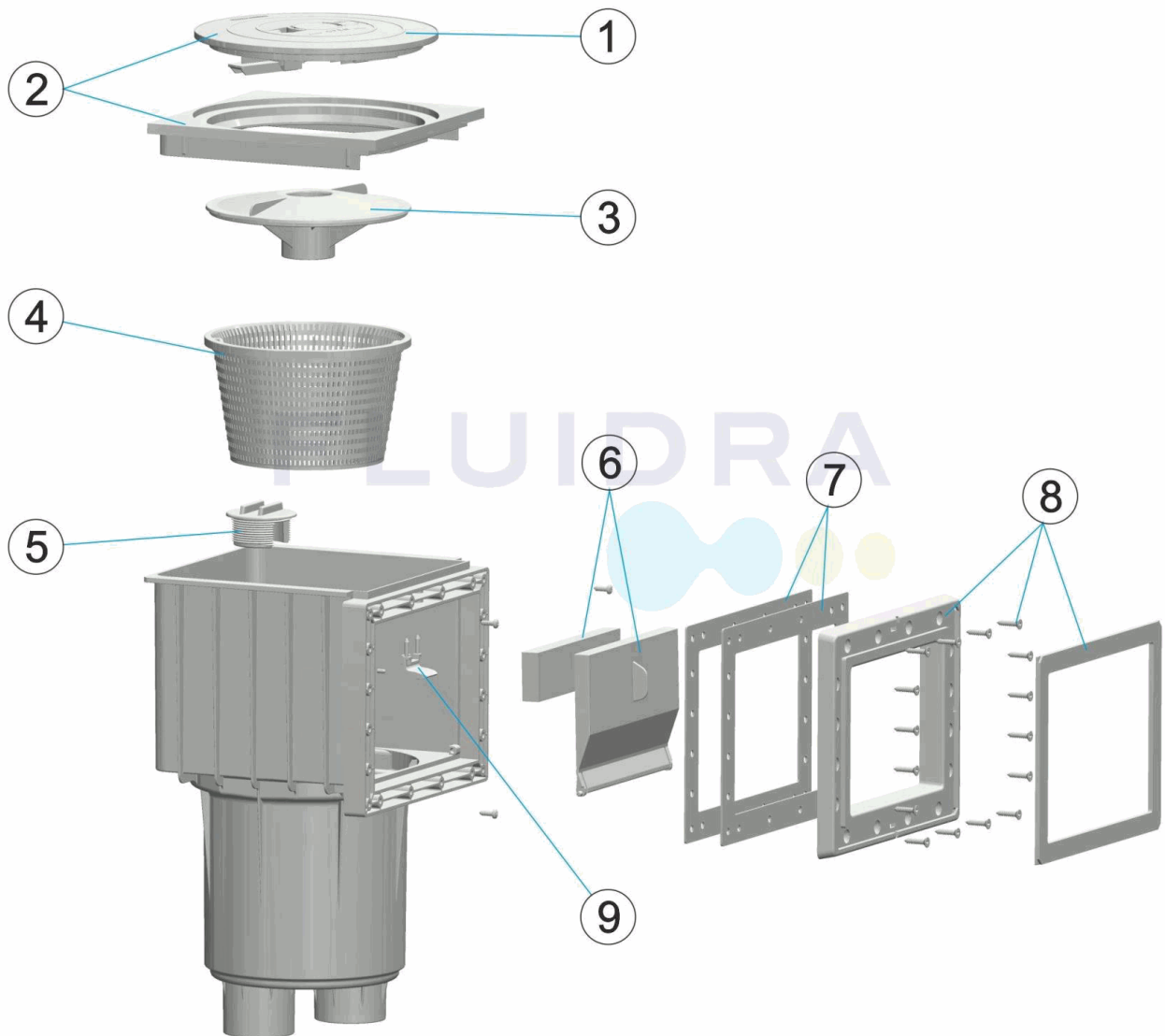


**ITALIANO**

POS	CODICE	DESCRIZIONE	POS	CODICE	DESCRIZIONE
1	4402010509	COPERCHIO SKIMMER	6	4402010036	SPORTELLO CON GALLEGGIANTE
2	4402010035	COPERCHIO CON CORNICE QUADRATA	7	4402010307	GUARNIZIONE PER SKIMMER BASE P.F.
3	4402010505	COPERCHIO CESTELLO SKIMMER	8	4402010312	FLANGIA SKIMMER (PARKER)
4	4402010504	CESTELLO SKIMMER DA 17,5 LITRI	9	4402010059	SET FRENO GATE SKIMMER
5	4402010502	TAPPO DI REGOLAZIONE			

CODE **58609**

BESCHREIBUNG: **SKIMMER SPS 250 OHNE EINSÄTZE**

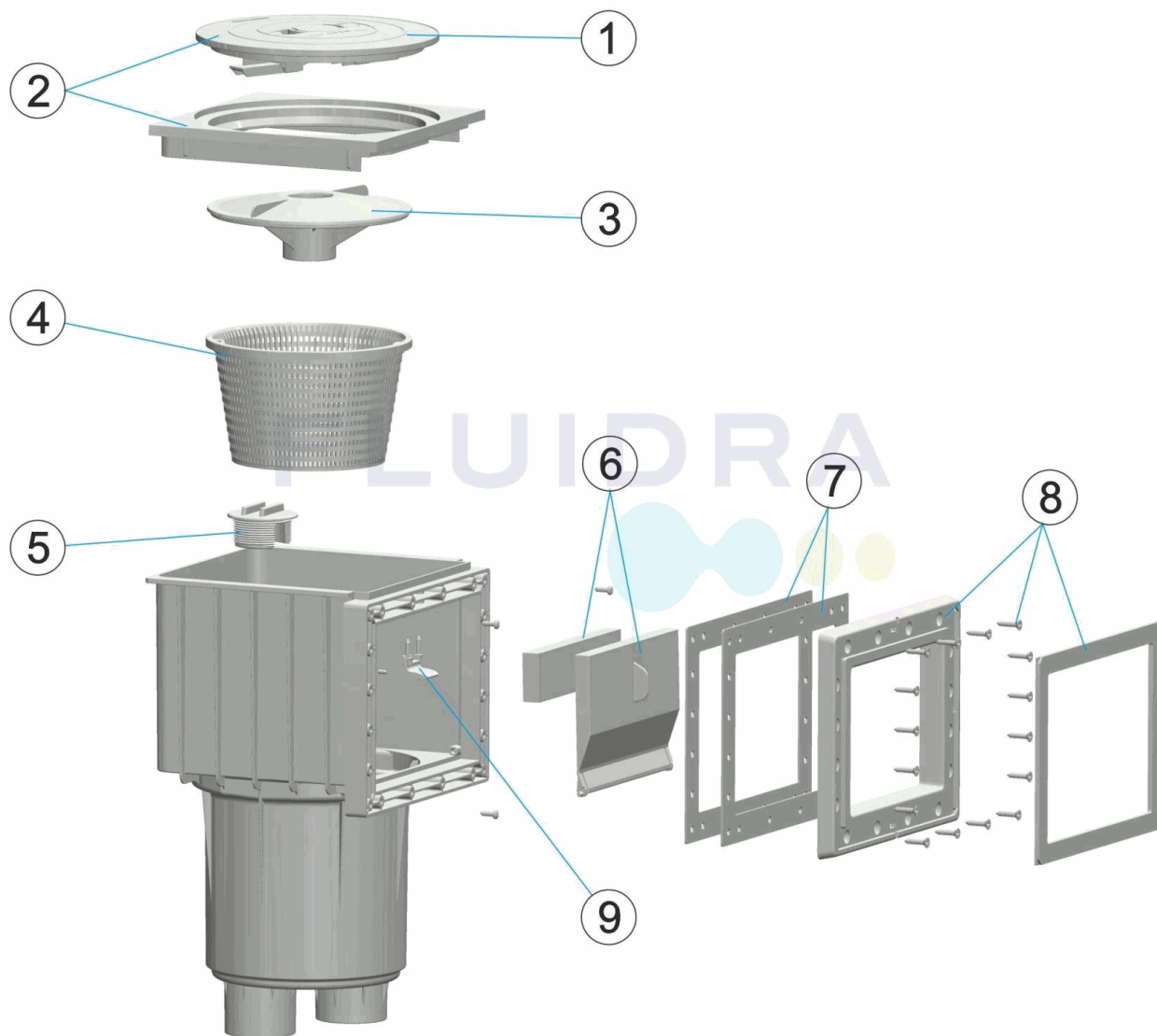


**DEUTSCH**

POS	CODE	BESCHREIBUNG	POS	CODE	BESCHREIBUNG
1	4402010509	SKIMMERDECKEL	6	4402010036	KLAPPE MIT SCHWIMMER
2	4402010035	SET ABDECKUNG MIT QUADRATISCHEM RAHMEN	7	4402010307	DICHTUNG SKIMMER KLEIN FERTIGBECKEN
3	4402010505	ABDECKUNG SKIMMKORB	8	4402010312	KLEINER SKIMMERRAHMEN (PARKER)
4	4402010504	SKIMMERKORB 17,5 L	9	4402010059	SET BREMSE SKIMMERKLAPPE
5	4402010502	STOPFEN REGULIERUNG			

CODIGO **58609**

DESCRIÇÃO: **SKIMMER 17,5 L PP B. LARGA T. CIRCULAR USA**



**PORTUGUES**

POS	CODIGO	DESCRIÇÃO	POS	CODIGO	DESCRIÇÃO
1	4402010509	TAMPA SKIMMER	6	4402010036	COMPORTA COM BOIA
2	4402010035	CJTO. TAMPA COM ESTRUTURA QUADRADA	7	4402010307	JUNTA PEQUENA DE SKIMMER
3	4402010505	TAMPA CESTO SKIMMER	8	4402010312	CAIXILHO BOCA SKIMMER (PARKER)
4	4402010504	CESTO SKIMMER 17,5 LTS	9	4402010059	CONJUNTO DE FREIO PORTÃO SKIMMER
5	4402010502	TAMPA REGULADORA			