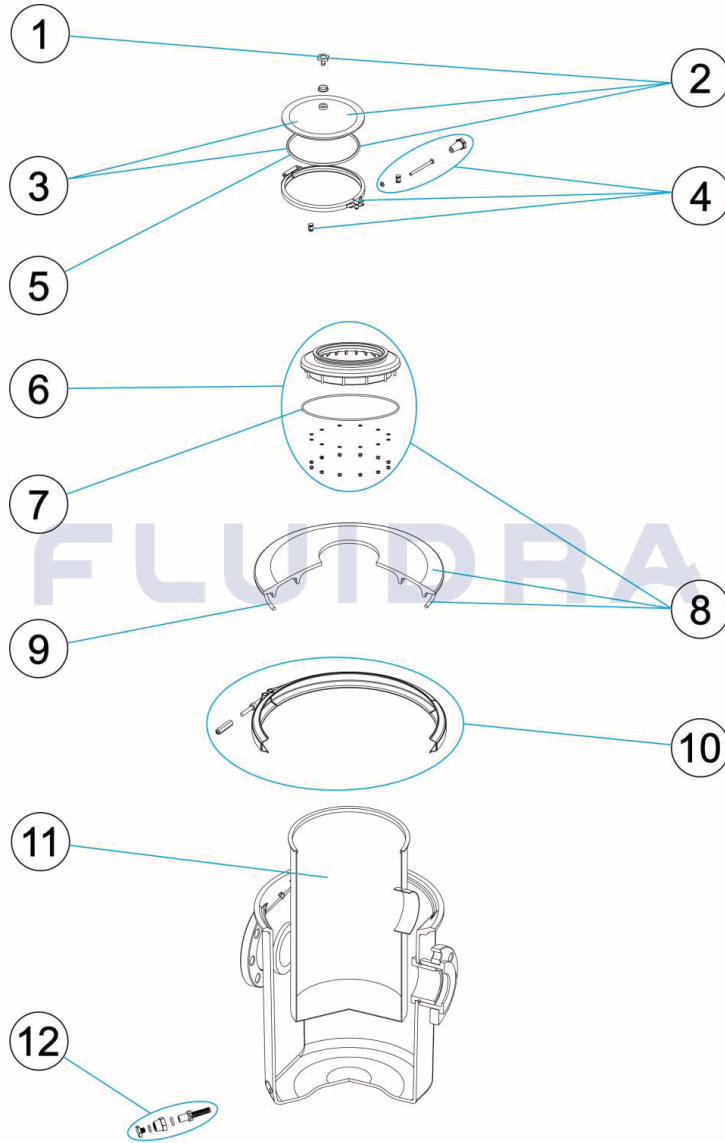


CODIGO 15644, 15645, 15646, 15647, 15648, 15649

DESCRIPCION: PREFILTRO POLIESTER CON TAPA VISOR 33L.

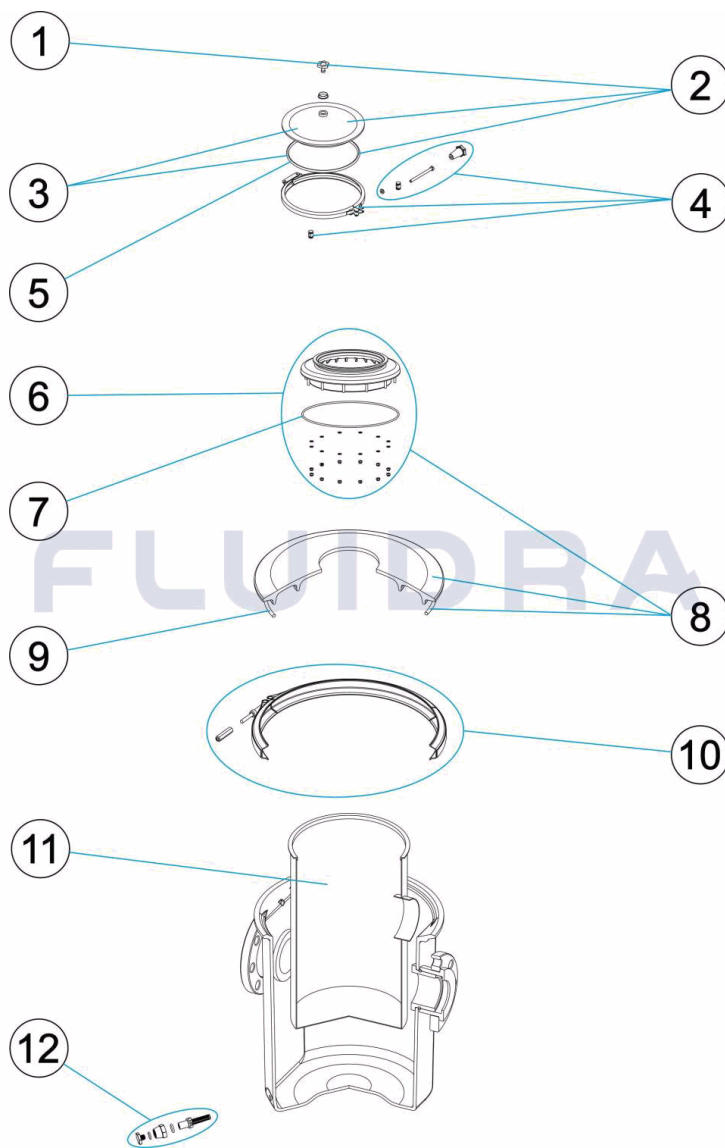


**ESPAÑOL**

POS	CODIGO	DESCRIPCION	CANTIDAD	POS	CODIGO	DESCRIPCION	CANTIDAD
1	4404130107	TAPON PURGA 1/4" ANONIMO CON JUNT "		7	4404020116	JUNTA TORICA 255X4	
2	4405040401	TAPA CON JUNTA Y TAPON		8	4405040404	TAPA PREFILTRO CON JUNTA	
3	4404080102	TAPA TRANSPARENTE + ANILLO		9	4405040204	JUNTA TAPA	
4	4404080103	ANILLO CIERRE 203 NEGRO		10	4405040205	ZUNCHO PREFILTRO	
5	4404080101	JUNTA TORICA TAPA		11	4405040206	CESTO PREFILTRO	
6	4405040405	CJTO. ARO CUELLO		12	4405040202	PURGA AGUA 3/8"	

CODE 15644, 15645, 15646, 15647, 15648, 15649

DESCRIPTION: PRÉFILTRE POLYESTER AVEC COUVERCLE VISEUR 33L.

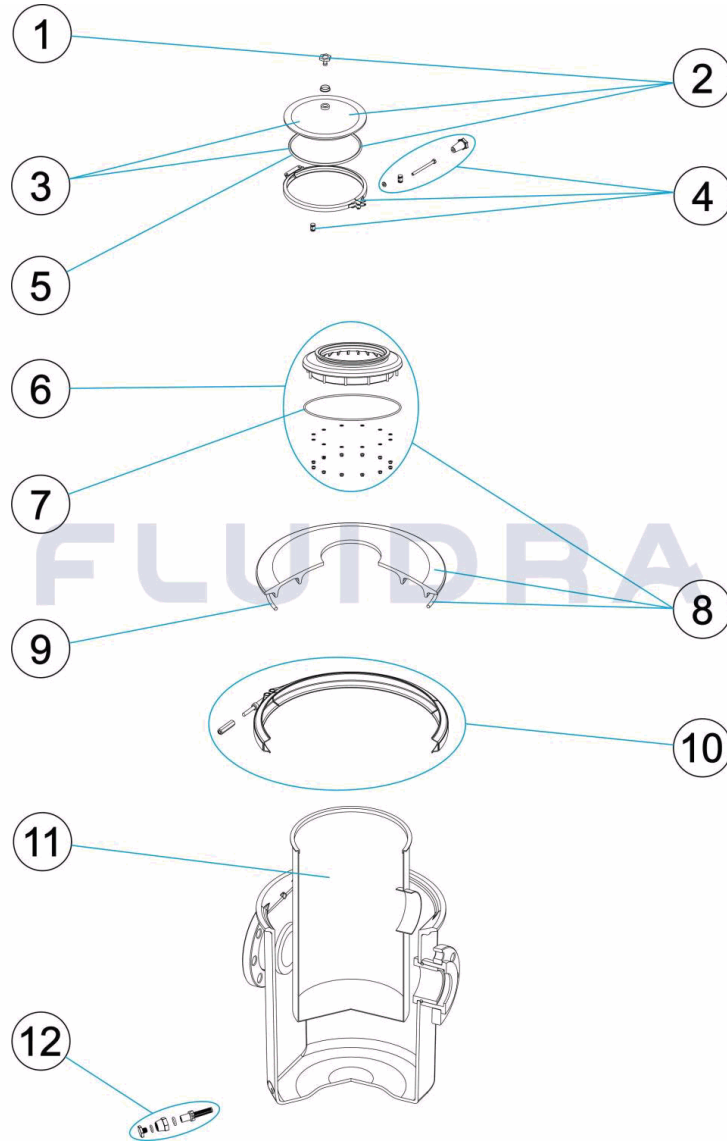


FRANCAIS

POS	CODE	DESCRIPTION	QUANTITE	POS	CODE	DESCRIPTION	QUANTITE
1	4404130107	BOUCHON PURGE 1/4" ANONYME AVEC JOI		7	4404020116	JOINT TORIQUE 255X4	
2	4405040401	COUVERCLE AVEC JOINT ET BOUCHON		8	4405040404	COUVERCLE PREFILTRE AVEC JOINT	
3	4404080102	COUVERCLE TRANSPARENT + JOINT		9	4405040204	JOINT DE COUVERCLE	
4	4404080103	COLLIER DE FERMETURE 203 NOIR		10	4405040205	COLLIER PREFILTRE	
5	4404080101	JOINT TORIQUE COUVERCLE		11	4405040206	PANIER PRÉFILTRE	
6	4405040405	ENSEMBLE " BAGUE JOIN "		12	4405040202	PURGE D'EAU 3/8"	

CODE **15644, 15645, 15646, 15647, 15648, 15649**

DESCRIPTION: **POLYESTER PREFILTERS WITH TRANSPARENT COVER 33L.**

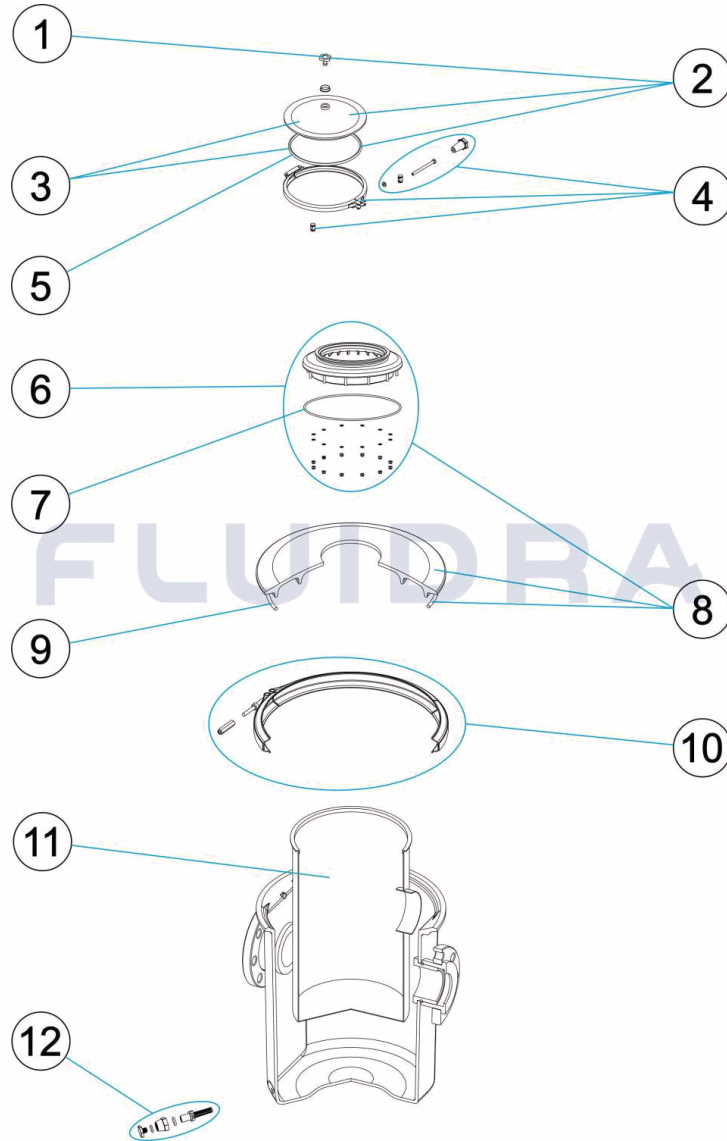


**ENGLISH**

POS	CODE	DESCRIPTION	QUANTITY	POS	CODE	DESCRIPTION	QUANTITY
1	4404130107	ANONYMOUS CAP		7	4404020116	O' RING 255X4	
2	4405040401	COVER WITH GASKET AND PLUG		8	4405040404	PRE-FILTER COVER WITH GASKET	
3	4404080102	TRANSPARENT LID + GASKET		9	4405040204	LID GASKET	
4	4404080103	BLACK LOCKING FIXTURE 203		10	4405040205	PRE-FILTER V-CLAMP SET	
5	4404080101	LID 'O' RING		11	4405040206	PRE-FILTER BASKET	
6	4405040405	SET FILTER RING		12	4405040202	WATER PURGE 3/8"	

CODICE 15644, 15645, 15646, 15647, 15648, 15649

DESCRIZIONE: PREFILTRO POLIESTERE CON TAPPO VISORE 33 L.

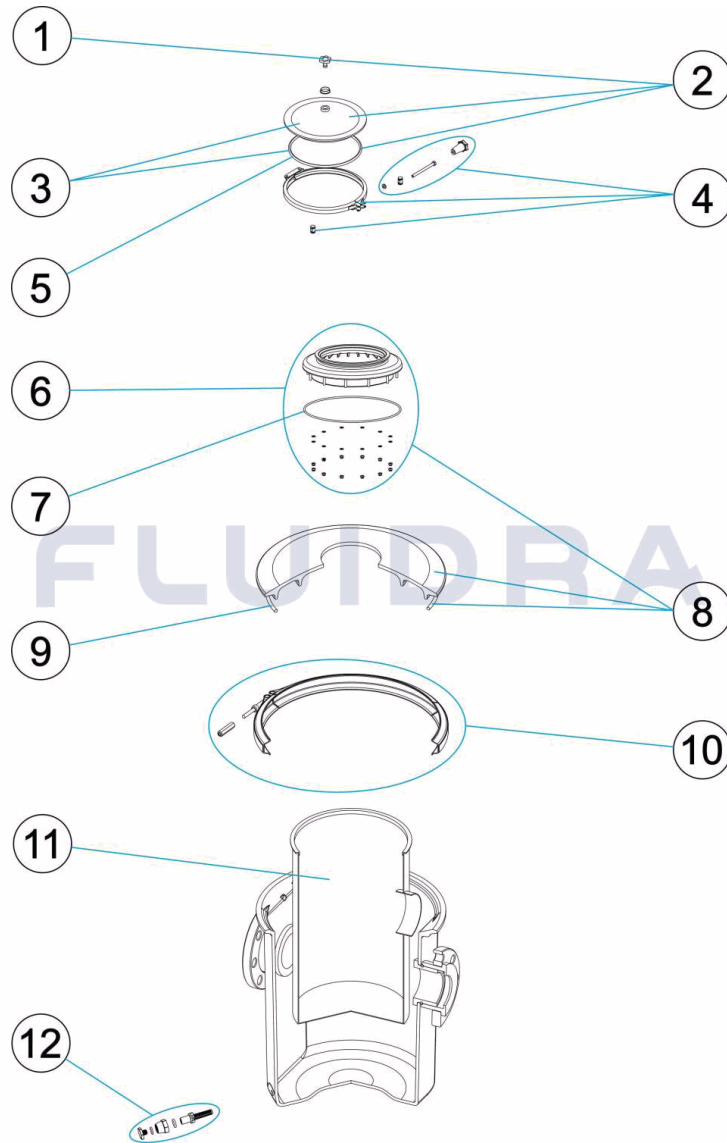


ITALIANO

POS	CODICE	DESCRIZIONE	QUANTITA'	POS	CODICE	DESCRIZIONE	QUANTITA'
1	4404130107	APPO 1/4" SCARICO ANONIMO CON GUARN		7	4404020116	O-RING 255X4	
2	4405040401	COPERCHIO CON GUARNIZIONE E TAPPO		8	4405040404	COPERCHIO PREFILTRO CON GUARNIZIO	
3	4404080102	COPERCHIO TRASPARENTE + ANELLO		9	4405040204	GUARNIZIONE COPERCHIO	
4	4404080103	ANELLO CHIUSURA 203 NERO		10	4405040205	FASCETTA PREFILTRO	
5	4404080101	O-RING COPERCHIO		11	4405040206	CESTO PREFILTRO	
6	4405040405	KIT FLANGIA COPERCHIO		12	4405040202	SCARICO ACQUA 3/8"	

CODE **15644, 15645, 15646, 15647, 15648, 15649**

BESCHREIBUNG: **VORFILTER POLYESTER MIT ABDECKUNG VISOR 33L.**

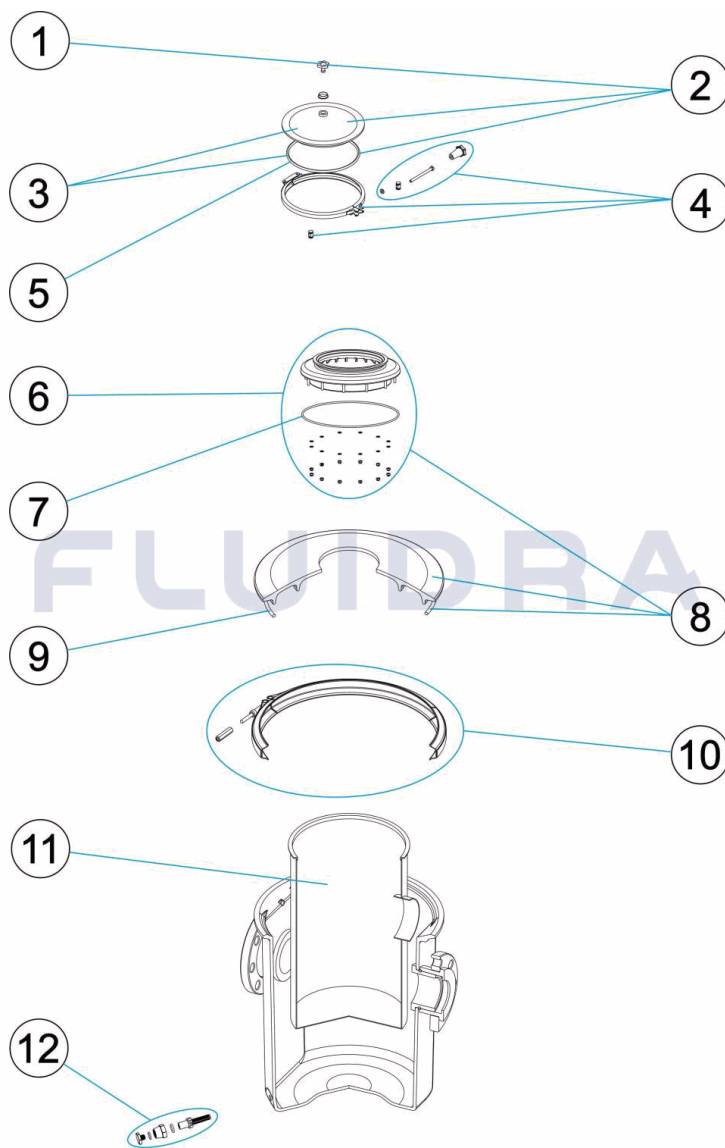


**DEUTSCH**

POS	CODE	BESCHREIBUNG	MENGE	POS	CODE	BESCHREIBUNG	MENGE
1	4404130107	ABLASSTOPFEN 1/4" ANONYM UND DICHTI		7	4404020116	O-RING 255 X 4	
2	4405040401	ABDECKUNG MIT DICHTUNG UND STOPFEN		8	4405040404	VORFILTERABDECKUNG UND DICHTUNG	
3	4404080102	ABDECKUNG TRANSPARENT MIT RING		9	4405040204	DICHTUNG ABDECKUNG	
4	4404080103	SCHLIESSRING 203 SCHWARZ		10	4405040205	EINSATZ VORFILTER	
5	4404080101	O-RING ABDECKUNG		11	4405040206	VORFILTERKORB	
6	4405040405	SET FILTERRING		12	4405040202	WASSERABLAß 3/8"	

CODIGO 15644, 15645, 15646, 15647, 15648, 15649

DESCRIÇÃO: PRÉ-FILTRO POLIÉSTER COM TAMPA VISOR 33 L.



**PORTUGUES**

POS	CODIGO	DESCRIÇÃO	QUANTIDADE	POS	CODIGO	DESCRIÇÃO	QUANTIDADE
1	4404130107	TAMPAO PURGA 1/4" ANONIMO COM JUNT '1		7	4404020116	JUNTA TÓRICA 255X4	
2	4405040401	TAMPA COM JUNTA E TAMPÃO		8	4405040404	TAMPA PRÉ-FILTRO COM JUNTA	
3	4404080102	TAMPA TRANSPARENTE + ARO		9	4405040204	JUNTA TAMPA	
4	4404080103	FECHO COMPLETO		10	4405040205	CONJUNTO ABRAÇADEIRA PRÉ-FILTRO	
5	4404080101	JUNTA TÓRICA TAMPA		11	4405040206	CESTO PRÉ-FILTRO	
6	4405040405	CONJUNTO ARO PROLONGADOR		12	4405040202	PURGA AGUA 3/8"	