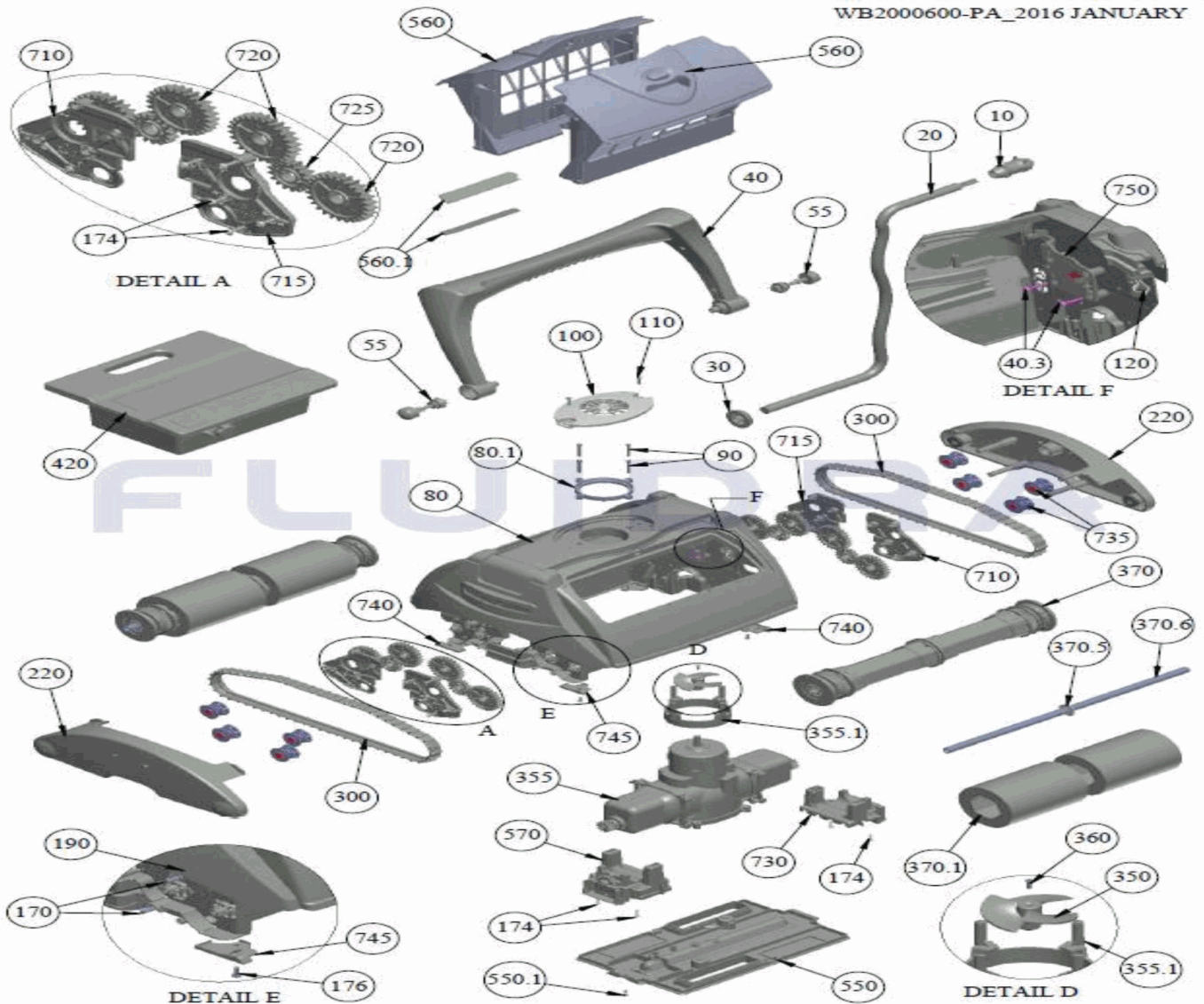


CODIGO **66020**

 DESCRIPCION: **LIMPIAFONDOS CTX TYPHOON TOP 5 DUO**
RE3D-NANB-T5D13 (2016)

WB2000600-PA_2016 JANUARY


ESPAÑOL

POS	CODIGO	DESCRIPCION	POS	CODIGO	DESCRIPCION
10	ASPL00002M	ENCHUFE 4 TERMINALES	176	HW0004200	TORNILLO EJOT PT KB30X10
20	WA00222CGL	CABLE FLOTADOR CG/18M/2C/EZ-SW/FAST	190	PP0095300	ALETA SALIDA AGUA
30	1623	TUERCA FIJACIÓN CABLE	220	AS1064700	PLACA LATERAL
40	AS1045400	MANGO FLOTADOR	300	PP00949CG	CORREA DE ORUGA
40.3	HW0007000	TORNILLO PT KA 50X20	350	PP00952GY	HÉLICE
55	SK00004BL	PIN COMPLETO PARA MANGO	355	AS2904110-SP	MOTOR DE TRACCION
80	AS1014110	CJTO. CUERPO	355.1	PP0096400	ACCESORIOS BOMBA BREEZER
80.1	PP0064500	ESPACIADOR PARA NANA 7MM	360	SW000069	TORNILLO PARA HELICE
90	2500	TORNILLO PARA MOTOR BOMBA	370	AS38254CG	RODILLO DE ARRASTRE
100	PP00059DG	TAPA SUPERIOR	370.1	3009AG	CEPILLO PVA GRIS (ANTIGUO)
110	5061	TORNILLO DE TAPA SUPERIOR	370.5	3603	ARANDELA INTERMEDIA DE EJE
120	HW0006700	SUJECION CABLE	370.6	MP00234	EJE 424 MM
170	HW0006000	TORNILLO PT WN 1412	420	AS2722600-SP	TRANSFORMADOR



DESPIECE

REV.: 1
FECHA: 08/10/2018
HOJA: 2 / 12

1072

CODIGO **66020**

DESCRIPCION: **LIMPIAFONDOS CTX TYPHOON TOP 5 DUO**

RE3D-NANB-T5D13 (2016)

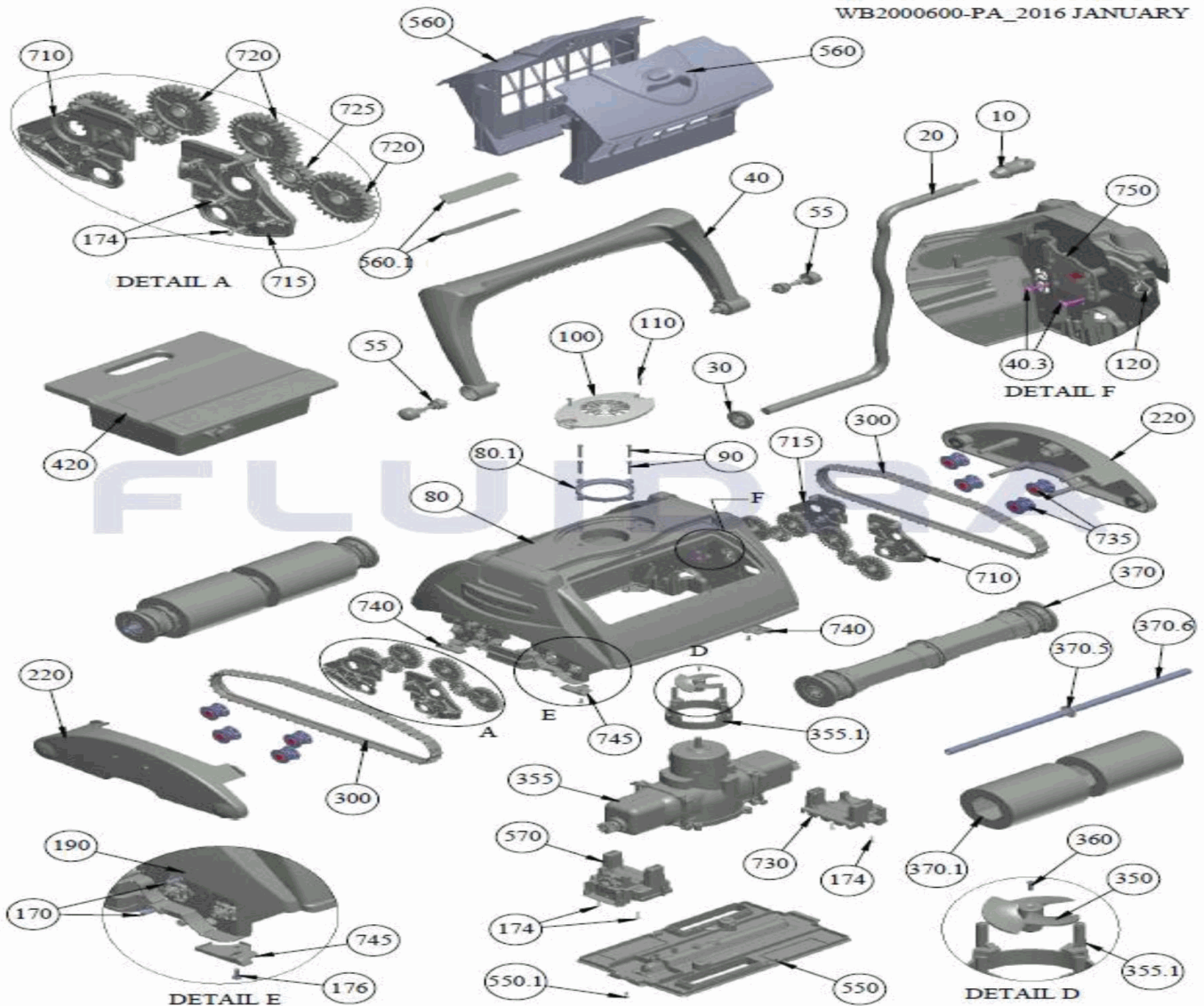
174	HW0005800	TORNILLO EJOT PT KA 40X14 WN1412	550	AS1050304	CONJUNTO TAPA INFERIOR CON CEPILLO
560	AS1051427	FILTRO COMPLETO TYPHOON STD	730	PP0093700	PUENTE OMEGA
560,1	PP00672IV	FILTRO VALVULA SUPERIOR	735	PP0095100	RODILLO PARA CORREA DE ORUGA
570	AS1050952	CJTO. CEPILLO VIBRANTE PARA BREEZER	740	PP0096500	PROTECTOR INFERIOR DERECHO
710	PP0097000	BUJE PLACA LATERAL IZQUIERDO	745	PP0096800	PROTECTOR INFERIOR IZQUIERDO
715	PP0096900	BUJE PLACA LATERAL DERECHO	750	PP0097200	SUJETACABLES PARA BREEZER
720	PP0093800	RUEDA DENTADA LATERAL GRANDE	not shown	PL00008F	CONECTOR ELECTRICO 4 PIN HEMBRA
725	PP0093900	RUEDA DENTADA LATERAL PEQUEÑA			

CODE 66020

DESCRIPTION: NETTOYEUR DE FOND CTX TYPHOON TOP 5 DUO

RE3D-NANB-T5D13 (2016)

WB2000600-PA_2016 JANUARY



FRANCAIS

POS	CODE	DESCRIPTION	POS	CODE	DESCRIPTION
10	ASPL00002M	PRISE À 4 FICHES	176	HW00004200	VIS EJOT PT KB30X10
20	WA00222CGL	CÂBLE FLOTTANT CG/18M/2C/EZ-SW/FAST	190	PP0095300	CLAPET SORTIE EAU
30	1623	ÉCROU FIXATION CÂBLE	220	AS1064700	PLAQUE LATÉRALE
40	AS1045400	MANCHE FLOTTEUR	300	PP00949CG	COURROIE DE CHENILLE
40.3	HW0007000	VIS PT KA 50X20	350	PP00952GY	HÉLICE
55	SK00004BL	PIN COMPLET POUR MANCHE	355	AS2904110-SP	MOTEUR DE TRACTION
80	AS1014110	ENSEMBLE CORPS	355.1	PP0096400	ACCESSOIRES POMPE BREEZER
80.1	PP0064500	ENTRETOISE POUR NANA 7MM	360	SW000069	VIS M-3X10 PHIL DIN-965
90	2500	VIS 8X1,175 PH PN	370	AS38254CG	ROULEAU D'ENTRAÎNEMENT
100	PP00059DG	SORTIE SUPÉRIEURE	370.1	3009AG	BROSSE PVA GRISE (ANCIENNE)
110	5061	VIS 6-32X5/8 S/S PH PA	370.5	3603	RONDILLE INTERMÉDIAIRE AXE
120	HW0006700	FIXATION CÂBLE	370.6	MP00234	AXE 424 MM
170	HW0006000	VIS PT WN 1412	420	AS2722600-SP	TRANSFORMATEUR

CODE **66020**

DESCRIPTION: **NETTOYEUR DE FOND CTX TYPHOON TOP 5 DUO**

RE3D-NANB-T5D13 (2016)

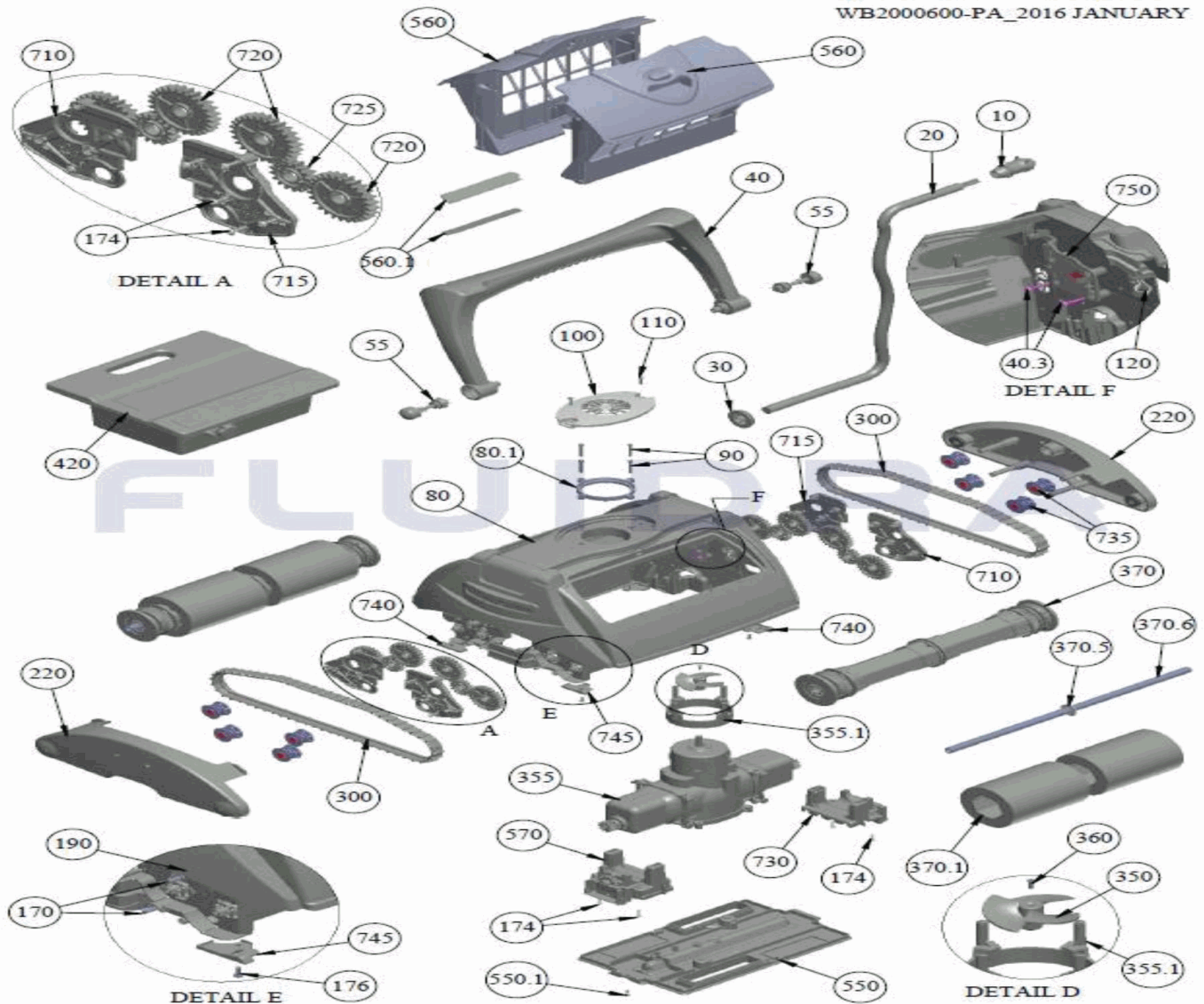
174	HW0005800	VIS EJOT PT KA 40X14 WN1412	550	AS1050304	ENSEMBLE COUVERCLE INFÉRIEUR
560	AS1051427	ENSEMBLE DE FILTRAGE SUPÉRIEUR	730	PP0093700	PONT OMÉGA
560,1	PP006721V	FILTRE VANNE SUPÉRIEUR	735	PP0095100	ROULEAU POUR COURROIE DE CHENILLE
570	AS1050952	ENS. BROSSE VIBRANTE POUR BREEZER	740	PP0096500	PROTECTEUR INFÉRIEUR DROIT
710	PP0097000	BAGUE PLAQUE LATÉRALE GAUCHE	745	PP0096800	PROTECTEUR INFÉRIEUR GAUCHE
715	PP0096900	BAGUE PLAQUE LATÉRALE DROITE	750	PP0097200	ATTACHE-CÂBLES POUR BREEZER
720	PP0093800	ROUE DENTÉE LATÉRALE GRANDE	not shown	PL00008F	CONNECTEUR ÉLECTRIQUE 4 BROCHES FEMELLI
725	PP0093900	ROUE DENTÉE LATÉRALE PETITE			

CODE 66020

DESCRIPTION: POOL CLEANER CTX TYPHOON TOP 5 DUO

RE3D-NANB-T5D13 (2016)

WB2000600-PA_2016 JANUARY



ENGLISH

POS	CODE	DESCRIPTION	POS	CODE	DESCRIPTION
10	ASPL00002M	4 PIN PLUG	176	HW0004200	SCREW EJOT PT KB30X10
20	WA00222CGL	FLOAT CABLE ASSY CG/18M/2C/EZ-SW/FAST	190	PP0095300	WATER OUTLET FLAP
30	1623	SEALING GROMMET	220	AS1064700	SIDE PLATE, ROUND,
40	AS1045400	HANDLE ASSY	300	PP00949CG	TRACK BELT
40.3	HW0007000	SCREW EJOT PT KA 50X20	350	PP00952GY	PROPELLER
55	SK00004BL	PIN ASSY FOR HANDLE	355	AS2904110-SP	MOTORS BOX ASSY
80	AS1014110	BODY ASSEMBLY	355.1	PP0096400	PUMP FIXTURE FOR BREEZER
80.1	PP0064500	SPACER FOR NANA 7MM	360	SW00069	SCRERW M-3X10 PHIL DIN-965
90	2500	SCREW 8X1,175 PH PN	370	AS38254CG	WHEEL TUBE ASSY.
100	PP00059DG	OUTLET TOP	370.1	3009AG	PVA BRUSH
110	5061	SCREW 6-32X5/8 S/S PH PA	370.5	3603	FLAT DELRIN WASHER
120	HW0006700	CABLE RETAINER SOPHIA	370.6	MP00234	AXLE 424 MM
170	HW0006000	SCREW EJOT PT WN 1412	420	AS2722600-SP	POWER SUPPLY



PARTS BREAKDOWN

REV.: 1
DATE: 08/10/2018
SHEET: 6 / 12

1072

CODE **66020**

DESCRIPTION: **POOL CLEANER CTX TYPHOON TOP 5 DUO**

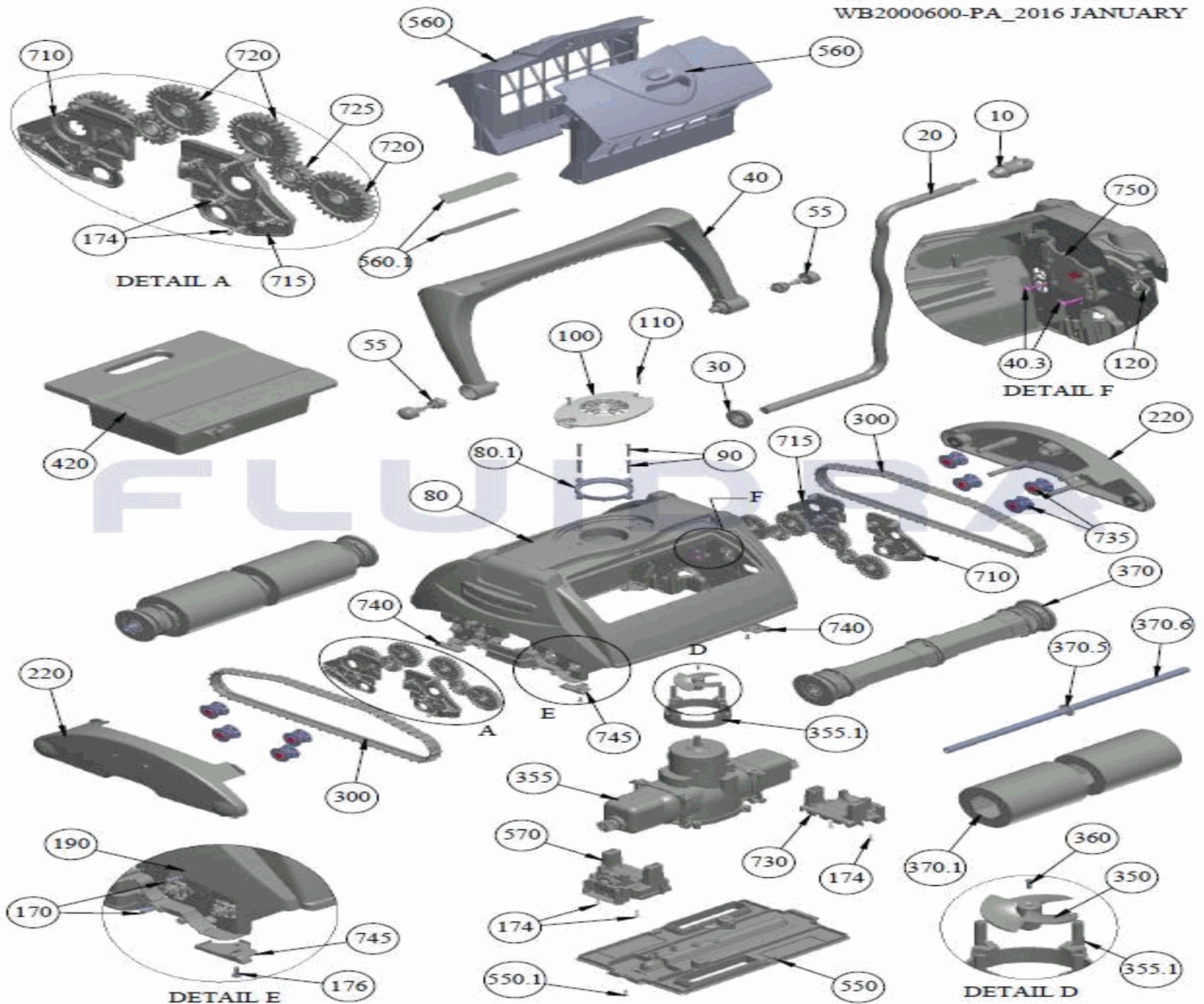
RE3D-NANB-T5D13 (2016)

174	HW0005800	SCREW EJOT PT KA 40X14 WN1412	550	AS1050304	BOTTOM LID ASSY
560	AS1051427	FILTER TOP ASSY	730	PP0093700	OMEGA BRIDGE
560,1	PP00672IV	FILTER VALVE FOR TOP NEW	735	PP0095100	TRACK BELT ROLLER
570	AS1050952	VB ASSY FOR BREEZER	740	PP0096500	BOTTOM PROTECTOR RIGHT
710	PP0097000	LEFT SIDE PLATE BUSHING	745	PP0096800	BOTTOM PROTECTOR LEFT
715	PP0096900	RIGHT SIDE PLATE BUSHING	750	PP0097200	CABLE HOLDER BREEZER
720	PP0093800	SIDE COGWHEEL BIG	not shown	PL00008F	CONNECTOR 4 PIN FEMALE
725	PP0093900	SIDE COGWHEEL SMALL			

CODICE **66020**

 DESCRIZIONE: **PULISCIFONDI CTX TYPHOON TOP 5 DUO**
RE3D-NANB-T5D13 (2016)

WB2000600-PA_2016 JANUARY


ITALIANO

POS	CODICE	DESCRIZIONE	POS	CODICE	DESCRIZIONE
10	ASPL00002M	PRESA A QUATTRO SPINE	176	HW0004200	VITE EJOT PT KB30X10
20	WA00222CGL	CAVO GALLEGGIANTE CG/18M/2C/EZ-SW/FAST	190	PP0095300	ALETTA USCITA ACQUA
30	1623	OCCHIELLO SIGILLANTE	220	AS1064700	PLACCA LATERALE
40	AS1045400	MANICO GALLEGGIANTE	300	PP00949CG	CINGHIA DENTATA
40.3	HW0007000	VITE PT KA 50X20	350	PP00952GY	ELICA
55	SK00004BL	PIN COMPLETO PER MANICO	355	AS2904110-SP	MOTORE DI TRAZIONE
80	AS1014110	GRUPPO CORPO	355.1	PP0096400	ACCESSORI POMPA BREEZER
80.1	PP0064500	DISTANZIATORE PER NANA 7MM	360	SW00069	VITE M-3X10 PHIL DIN-965
90	2500	VITE 8X1,175 PH PN	370	AS38254CG	RULLO DI TRAIANO
100	PP00059DG	SORTIE SUPÉRIEURE	370.1	3009AG	SPAZZOLA PVA GRIGIO (VECCHIO)
110	5061	VITE 6-32X5/8 S/S PH PA	370.5	3603	RONDELLA INTERMEDIA DI ASSE
120	HW0006700	ATTACCO CAVO	370.6	MP00234	ASSE 424 MM
170	HW0006000	VITE PT WN 1412	420	AS2722600-SP	TRASFORMATORE

CODICE **66020**

 DESCRIZIONE: **PULISCIFONDI CTX TYPHOON TOP 5 DUO**
RE3D-NANB-T5D13 (2016)

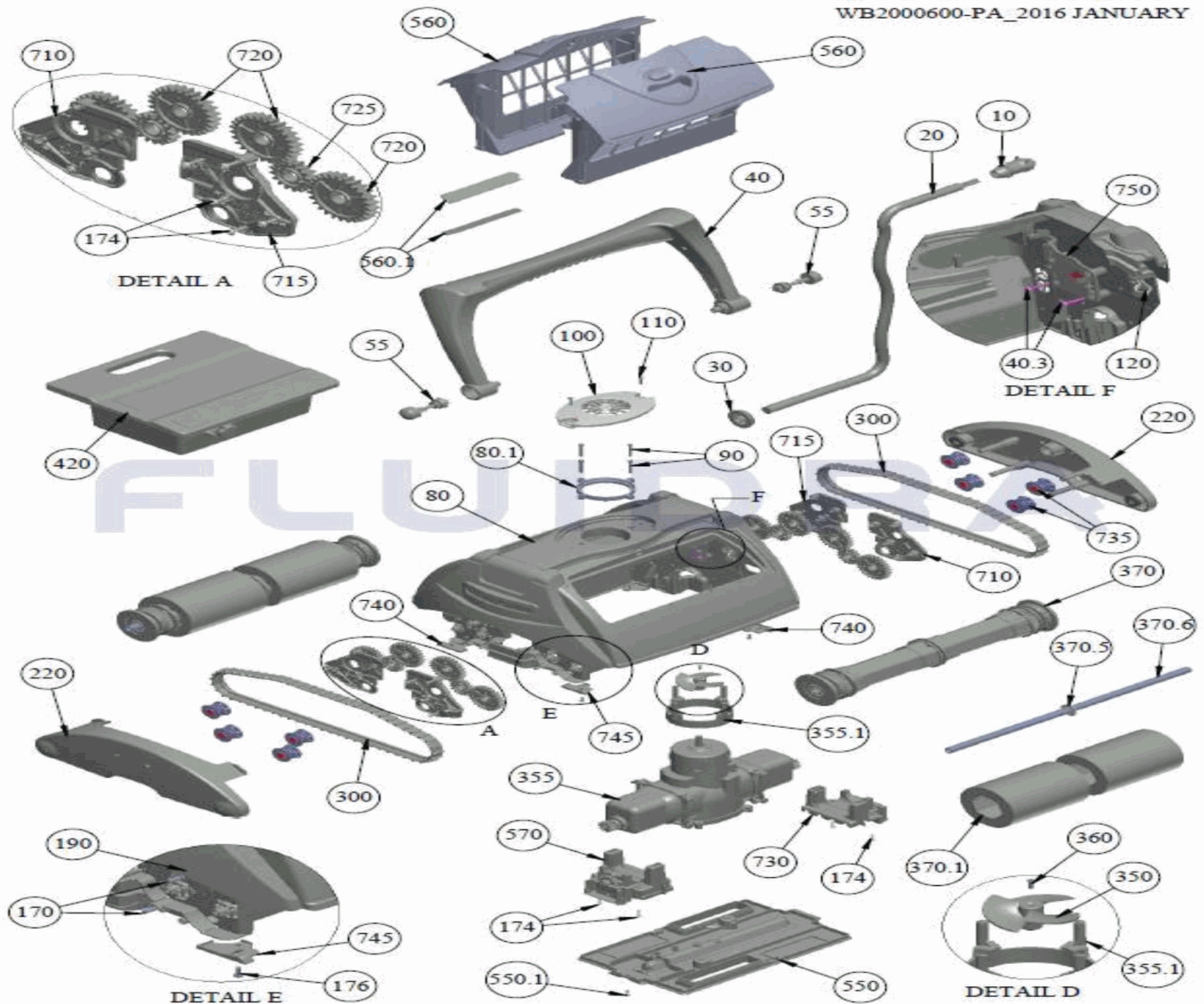
174	HW0005800	VITE EJOT PT KA 40X14 WN1412	550	AS1050304	BLOCCO COPERCHIO INFERIORE
560	AS1051427	BLOCCO FILTRO SUPERIORE	730	PP0093700	PONTE OMEGA
560,1	PP00672IV	FILTRO VALVOLA SUPERIORE	735	PP0095100	RULLO PER CINGHIA DENTATA
570	AS1050952	KIT SPAZZOLA VIBRANTE PER BREEZER	740	PP0096500	PROTETTORE INFERIORE DESTRO
710	PP0097000	BOCCOLA PLACCA LATERALE SINISTRA	745	PP0096800	PROTETTORE INFERIORE SINISTRO
715	PP0096900	BOCCOLA PLACCA LATERALE DESTRA	750	PP0097200	FERMACAVI PER BREEZER
720	PP0093800	RUOTA DENTATA LATERALE GRANDE	not shown	PL00008F	CONNETTORE ELETTRICO 4 PIN FEMMINA
725	PP0093900	RUOTA DENTATA LATERALE PICCOLA			

CODE 66020

BESCHREIBUNG: BODENREINIGER CTX TYPHOON TOP 5 DUO

RE3D-NANB-T5D13 (2016)

WB2000600-PA_2016 JANUARY



DEUTSCH

POS	CODE	BESCHREIBUNG	POS	CODE	BESCHREIBUNG
10	ASPL00002M	STECKDOSE 4 ANSCHLÜSSE	176	HW00004200	SCHRAUBE EJOT PT KB30X10
20	WA00222CGL	SCHWIMMERKABEL CG/18M/2C/EZ-SW/FAST	190	PP0095300	KLAPPE WASSERAUSGANG
30	1623	FIXIERMUTTER KABEL	220	AS1064700	SEITENPLAKETTE
40	AS1045400	GRIFF SCHWIMMTEIL	300	PP00949CG	KETTENLEINE
40.3	HW0007000	SCHRAUBE PT KA 50X20	350	PP00952GY	HELIX
55	SK00004BL	PIN KOMPLETT FÜR GRIFF	355	AS2904110-SP	ZUGMOTOR
80	AS1014110	SET KÖRPER	355.1	PP0096400	PUMPENZUBEHÖR BREEZER
80.1	PP0064500	DISTANZSTÜCK FÜR NANA	360	SW00069	SCHRAUBE FÜR ANTRIEBSSCHRAUBE
90	2500	SCHRAUBE FÜR PUMPENMOTOR	370	AS38254CG	FÖRDERROLLE
100	PP00059DG	OBERER ABZUG	370.1	3009AG	BÜRSTE PVA GRAU (VORVERSION)
110	5061	SCHRAUBE ABDECKUNG OBEN	370.5	3603	UNTERLEGSCHIBE MITTIG ACHSE
120	HW0006700	BEFESTIGUNG KABEL	370.6	MP00234	ACHSE 424 MM
170	HW0006000	SCHRAUBE PT WN 1412	420	AS2722600-SP	TRANSFORMATOR

CODE **66020**

BESCHREIBUNG: **BODENREINIGER CTX TYPHOON TOP 5 DUO**

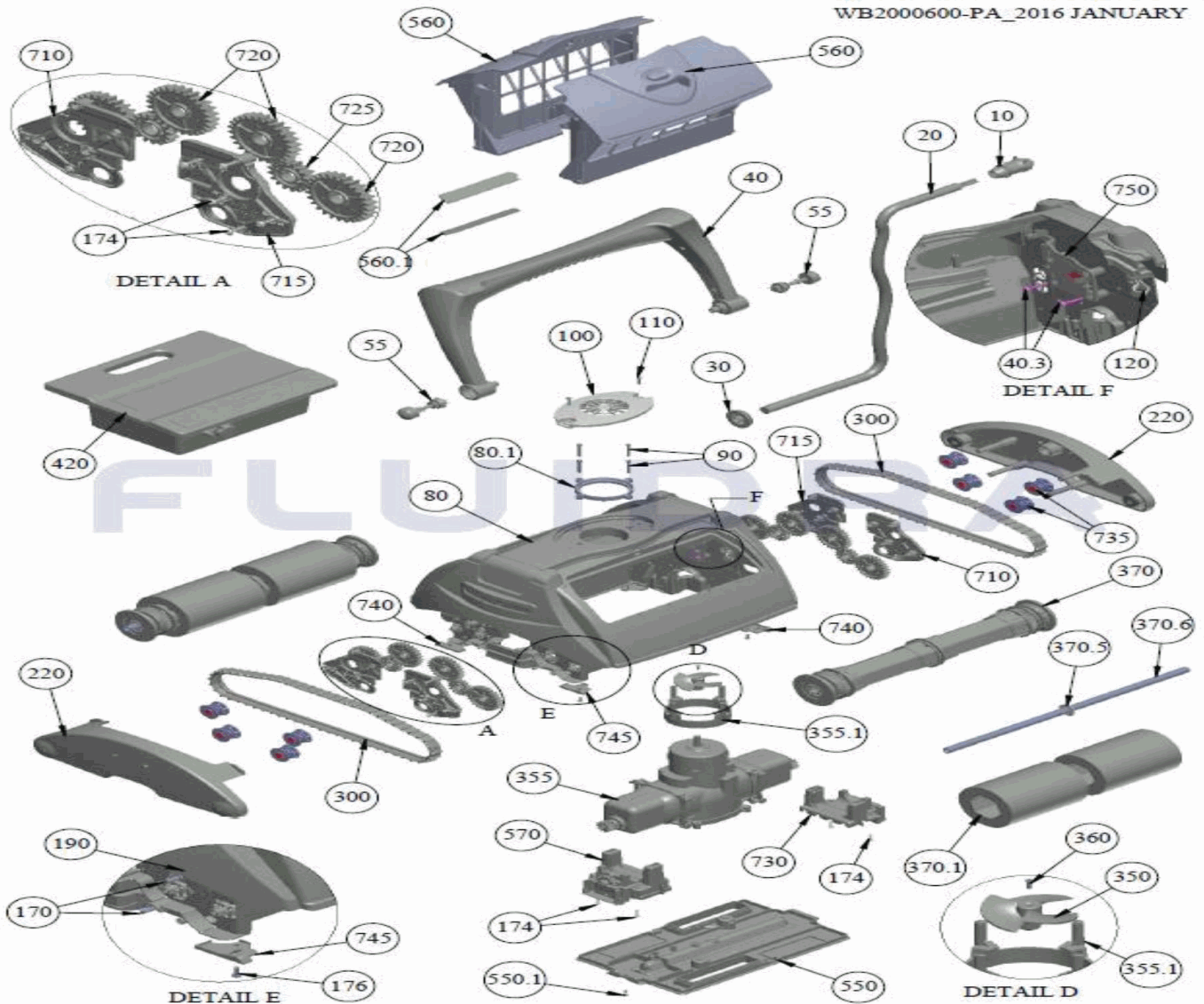
RE3D-NANB-T5D13 (2016)

174	HW0005800	SCHRAUBE EJOT PT KA 40X14 WN1412	550	AS1050304	UNTERER GERÄTEDECKEL
560	AS1051427	OBERER FILTERAUFSATZ	730	PP0093700	OMEGABRÜCKE
560,1	PP00672IV	FILTER VENTIL OBEN	735	PP0095100	ROLLE KETTENLEINE
570	AS1050952	SET VIBRIERBÜRSTE FÜR BREEZER	740	PP0096500	SCHUTZVORRICHTUNG RECHTS UNTEN
710	PP0097000	BUCHSE SEITENPLATTE LINKS	745	PP0096800	SCHUTZVORRICHTUNG LINKS UNTEN
715	PP0096900	BUCHSE SEITENPLATTE RECHTS	750	PP0097200	KABELFÜHRUNG BREEZER
720	PP0093800	GROSSES SEITLICHES ZAHNRAD	not shown	PL00008F	ELEKTRISCHER VERBINDER 4 PIN WEIBLICH
725	PP0093900	KLEINES SEITLICHES ZAHNRAD			

CODIGO **66020**

 DESCRIÇÃO: **LIMPADOR DE FUNDOS CTX TYPHOON TOP 5 DUO**
RE3D-NANB-T5D13 (2016)

WB2000600-PA_2016 JANUARY


PORTUGUES

POS	CODIGO	DESCRIÇÃO	POS	CODIGO	DESCRIÇÃO
10	ASPL00002M	FICHA DE 4 PINOS	176	HW0004200	PARAFUSO EJOT PT KB30X10
20	WA00222CGL	CONJUNTO CABO BOIA CG/18M/2C/EZ-SW/FAST	190	PP0095300	BARBATANA SAÍDA DE ÁGUA
30	1623	ANEL ISOLANTE	220	AS1064700	PLACA LATERAL
40	AS1045400	PEGA BOIA	300	PP00949CG	CINTA DE LAGARTA
40.3	HW0007000	PARAFUSO PT KA 50X20	350	PP00952GY	HÉLICE
55	SK00004BL	PINO COMPLETO PARA PEGA	355	AS2904110-SP	MOTOR DE TRAÇÃO
80	AS1014110	CONJUNTO CORPO	355.1	PP0096400	ACESSÓRIOS BOMBA BREEZER
80.1	PP0064500	ESPAÇADOR PARA NANA 7 MM	360	SW000069	PARAFUSO M-3 X 10 PHIL DIN-965
90	2500	PARAFUSO 8 X 1,175 PH PN	370	AS38254CG	ROLO DE ARRASTO
100	PP00059DG	SORTIE SUPÉRIEURE	370.1	3009AG	ESCOVA PVA CINZENTA (ANTIGA)
110	5061	PARAFUSO 6-32 X 5/8 S/S PH PA	370.5	3603	ANILHA INTERMÉDIA DO EIXO
120	HW0006700	FIXAÇÃO CABO	370.6	MP00234	EIXO 424 MM
170	HW0006000	PARAFUSO PT WN 1412	420	AS2722600-SP	TRANSFORMADOR

CODIGO **66020**

 DESCRIÇÃO: **LIMPADOR DE FUNDOS CTX TYPHOON TOP 5 DUO**
RE3D-NANB-T5D13 (2016)

174	HW0005800	PARAFUSO EJOT PT KA 40X14 WN1412	550	AS1050304	CONJUNTO TAMPA INFERIOR
560	AS1051427	CONJUNTO SUPERIOR DO FILTRO	730	PP0093700	PONTE OMEGA
560,1	PP00672IV	FILTRO VÁLVULA SUPERIOR	735	PP0095100	CILINDRO PARA CINTA DE LAGARTA
570	AS1050952	CJTO. ESCOVA VIBRANTE PARA BREEZER	740	PP0096500	PROTETOR INFERIOR DIREITO
710	PP0097000	CASQUILHO PLACA LATERAL ESQUERDA	745	PP0096800	PROTETOR INFERIOR ESQUERDO
715	PP0096900	CASQUILHO PLACA LATERAL DIREITA	750	PP0097200	CERRA-CABOS PARA BREEZER
720	PP0093800	RODA DENTADA LATERAL GRANDE	not shown	PL00008F	FICHA DE 4 PINOS FÊMEA
725	PP0093900	RODA DENTADA LATERAL PEQUENA			