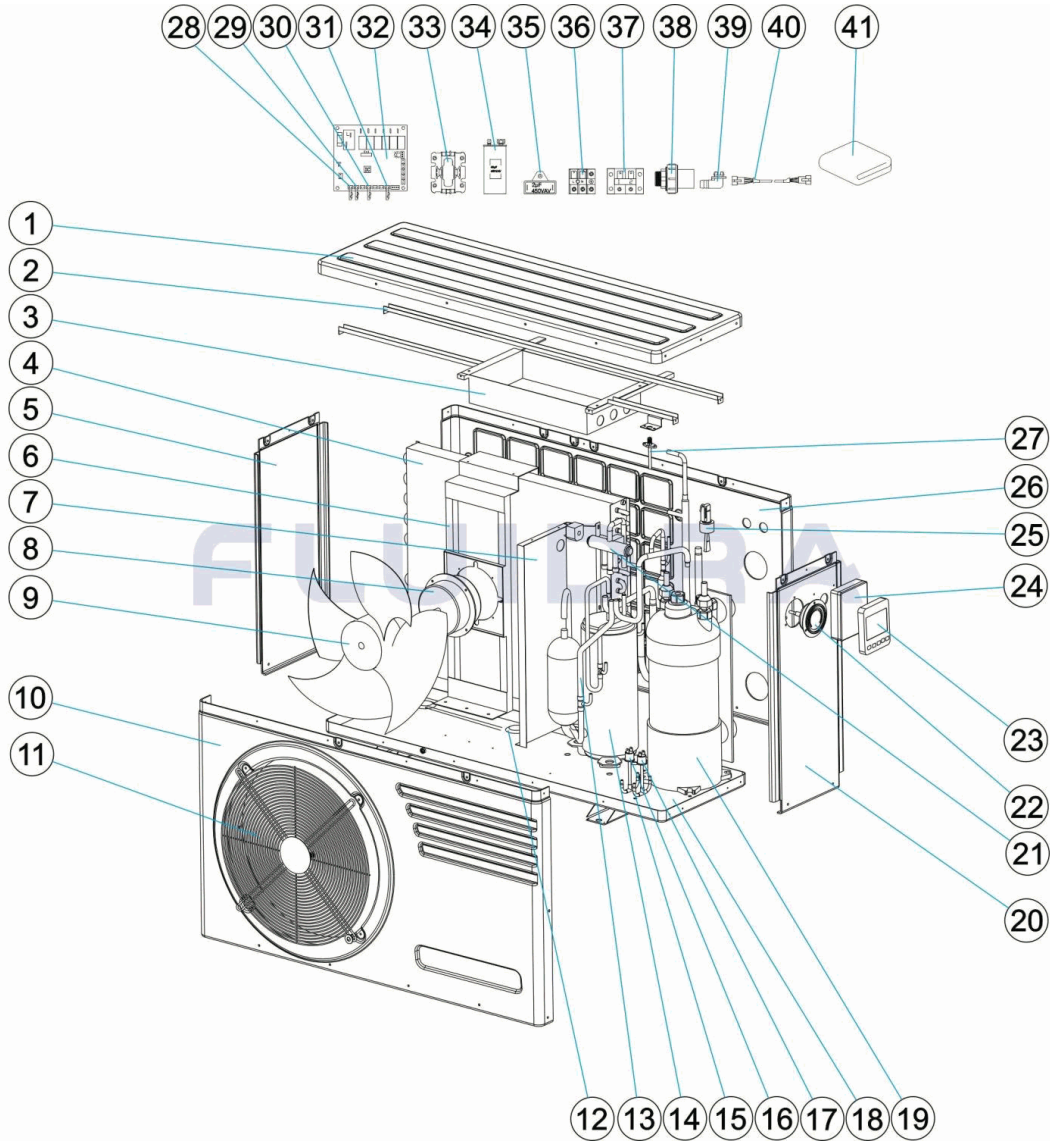


CODIGO **66071, 66072**

DESCRIPCION: **BOMBA DE CALOR EVOLINE 13-15**



**ESPAÑOL**

POS	CODIGO	DESCRIPCION	CANTIDAD	POS	CODIGO	DESCRIPCION	CANTIDAD
1	66071R0001	TAPA SUPERIOR ABS		13	* 66072R0019	TUBERÍAS PARA INTERCAMBIADOR	
2	66071R0002	SOPORTE PARA TAPA SUPERIOR		14	* 66071R0012	COMPRESOR	
3	66071R0003	CAJA ELECTRICA		14	* 66072R0012	COMPRESOR	
4	* 66071R0004	EVAPORADOR		15	66069R0015	TUBERÍAS PARA PRESOSTATO	
4	* 66072R0004	EVAPORADOR		16	66069R0031	INTERRUPTOR ALTA PRESIÓN	
5	66071R0005	PANEL IZQUIERDO ABS		17	66069R0032	INTERRUPTOR BAJA PRESIÓN	
6	66071R0006	SOPORTE PARA VENTILADOR MOTOR		18	66071R0014	PANEL INFERIOR	
7	66071R0007	PANEL PARTICIÓN		19	* 66071R0016	INTERCAMBIADOR DE TITANIO	
8	66071R0008	MOTOR VENTILADOR		19	* 66072R0016	INTERCAMBIADOR DE TITANIO	
9	66071R0009	ASPAS VENTILADOR		20	66071R0017	PANEL DERECHO ABS	
10	66071R0010	PANEL FRONTAL ABS		21	66070R0013	VALVULA DE 4 VIAS	
11	66071R0011	REJILLA VENTILADOR		22	66069R0021	MANÓMETRO	
12	66069R0039	RESISTENCIA DESHIELO		23	66069R0018	CONTROLADOR PANTALLA LED (WIFI)	

CODIGO **66071, 66072**

DESCRIPCION: **BOMBA DE CALOR EVOLINE 13-15**

13	* 66071R0019	TUBERÍAS PARA INTERCAMBIADOR	24	66069R0040	CAJA PROTECCIÓN PARA PANTALLA
25	66069R0030	FLUJOSTATO	34	66071R0033	CONDENSADOR COMPRESOR (50UF)
26	66071R0020	PANEL POSTERIOR ABS	35	66071R0025	CONDENSADOR VENTILADOR (4UF)
27	66069R0022	VÁLVULA PARA VACIADO/RELLENO	36	66069R0028	TERMINAL DE POTENCIA
28	* 66069R0033	SENSOR TEMP (L=1200 COBRE C-ROJO)	37	66069R0029	TERMINAL PARA BOMBA
29	* 66069R0034	SENSOR TEMP (L=1200 COBRE C-NEGRO)	38	66069R0041	CONECTOR DE AGUA
30	* 66069R0036	SENSOR TEMP (L=800 PLAST. C-BLANCO)	39	66069R0042	PURGA AGUA CONDENSACIÓN
31	* 66069R0035	SENSOR TEMP (L=1200 COBRE C-VERDE)	40	66069R0038	EXTENSIÓN CABLE PARA PANTALLA (10M
32	66069R0023	PLACA BASE PCB (WIFI)	41	ACXXPR1003	FUNDA HIBERNAL EV13-15/AC13-15/ST13
33	66070R0027	RELÉ PARA COMPRESOR			

CODIGO **66071, 66072**

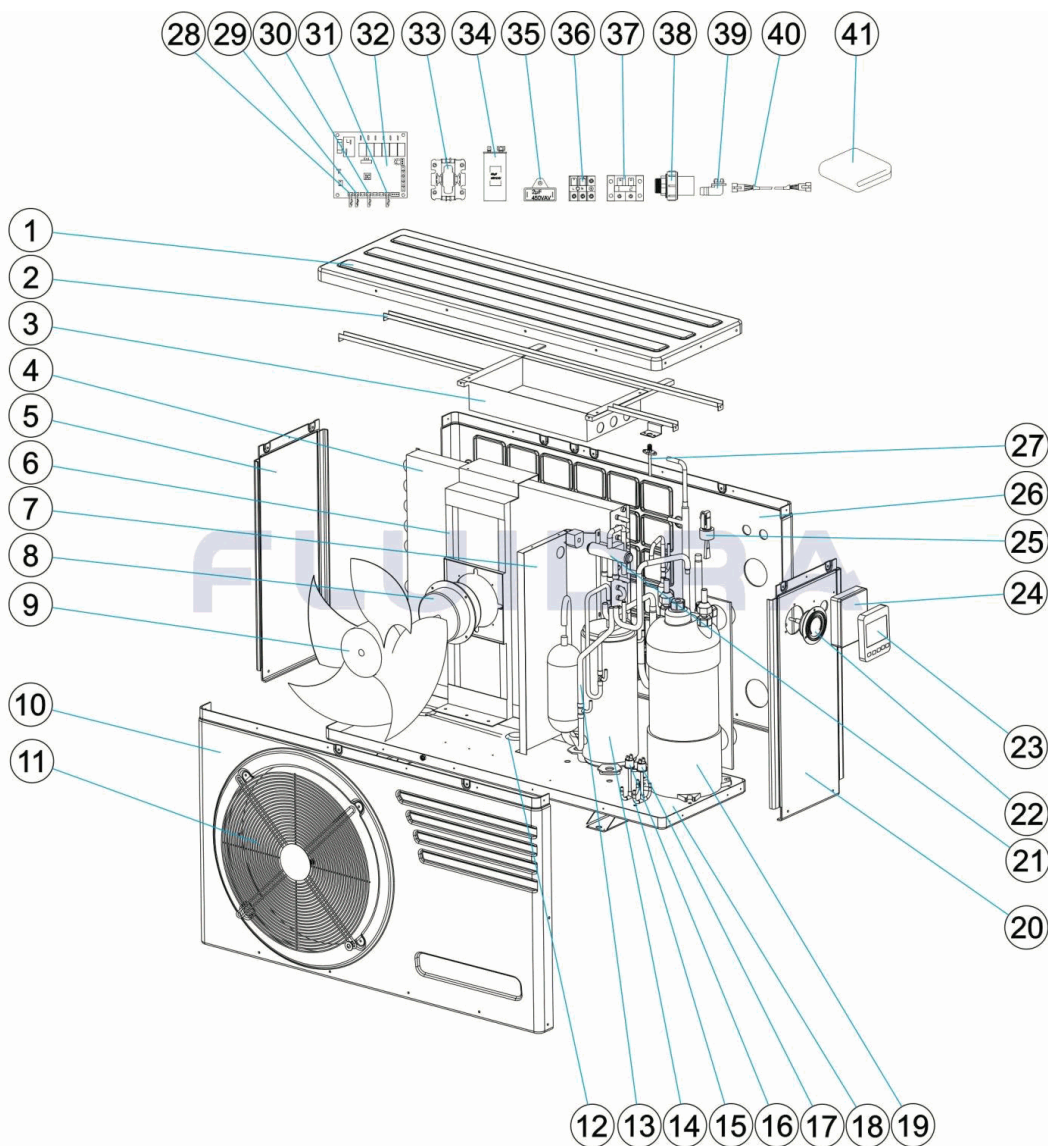
DESCRIPCION: **BOMBA DE CALOR EVOLINE 13-15**

## OBSERVACIONES

POS	CODIGO	OBSERVACIONES
4	66071R0004	PARA: 66071
4	66072R0004	PARA: 66072
13	66071R0019	PARA: 66071
13	66072R0019	PARA: 66072
14	66071R0012	PARA: 66071
14	66072R0012	PARA: 66072
19	66071R0016	PARA: 66071
19	66072R0016	PARA: 66072
28	66069R0033	PARA: ENTRADA AGUA / INLET WATER
29	66069R0034	PARA: SALIDA AGUA / OUTLET WATER
30	66069R0036	PARA: AIRE / AIR
31	66069R0035	PARA: EVAPORADOR / EVAPORATOR

CODE 66071, 66072

DESCRIPTION: POMPE À CHALEUR EVOLINE 13-15



FRANCAIS

POS	CODE	DESCRIPTION	QUANTITE	POS	CODE	DESCRIPTION	QUANTITE
1	66071R0001	COUVERCLE SUPÉRIEUR ABS		13	* 66072R0019	TUYAUTERIES POUR ÉCHANGEUR	
2	66071R0002	SUPPORT POUR COUVERCLE SUPÉRIEUR		14	* 66071R0012	COMPRESSEUR	
3	66071R0003	BOÎTIER ÉLECTRIQUE		14	* 66072R0012	COMPRESSEUR	
4	* 66071R0004	ÉVAPORATEUR		15	66069R0015	TUYAUTERIES POUR PRESSOSTAT	
4	* 66072R0004	ÉVAPORATEUR		16	66069R0031	INTERRUPTEUR HAUTE PRESSION	
5	66071R0005	PANNEAU GAUCHE ABS		17	66069R0032	INTERRUPTEUR BASSE PRESSION	
6	66071R0006	SUPPORT POUR VENTILATEUR MOTEUR		18	66071R0014	PANNEAU INFÉRIEUR	
7	66071R0007	PANNEAU SÉPARATION		19	* 66071R0016	ÉCHANGEUR EN TITANE	
8	66071R0008	MOTEUR VENTILATEUR		19	* 66072R0016	ÉCHANGEUR EN TITANE	
9	66071R0009	PALES VENTILATEUR		20	66071R0017	PANNEAU DROIT ABS	
10	66071R0010	PANNEAU FRONTAL ABS		21	66070R0013	VANNE 4 VOIES	
11	66071R0011	GRILLE VENTILATEUR		22	66069R0021	MANOMÈTRE	
12	66069R0039	RÉSISTANCE DÉGEL		23	66069R0018	CONTRÔLEUR ÉCRAN LED (WIFI)	

\* VOIR FICHE D'OBSERVATIONS

CODE **66071, 66072**

DESCRIPTION: **POMPE À CHALEUR EVOLINE 13-15**

13	* 66071R0019	TUYAUTERIES POUR ÉCHANGEUR	24	66069R0040	BOÎTIER PROTECTION POUR ÉCRAN
25	66069R0030	FLUXOSTAT	34	66071R0033	CONDENSATEUR COMPRESSEUR (50UF)
26	66071R0020	PANNEAU POSTÉRIEUR ABS	35	66071R0025	CONDENSATEUR VENTILATEUR (4UF)
27	66069R0022	VANNE DE VIDANGE/REPLISSAGE	36	66069R0028	BORNE DE PUISSANCE
28	* 66069R0033	CAPTEUR TEMPÉRATURE	37	66069R0029	BORNE POUR POMPE
29	* 66069R0034	CAPTEUR TEMPÉRATURE	38	66069R0041	RACCORD EAU
30	* 66069R0036	CAPTEUR TEMPÉRATURE	39	66069R0042	PURGE EAU CONDENSATION
31	* 66069R0035	CAPTEUR TEMPÉRATURE	40	66069R0038	RALLONGE CÂBLE POUR ÉCRAN (10 M)
32	66069R0023	PLAQUE BASE PCB (WIFI)	41	ACXXPR1003	COUVERTURE D'HIVERNAGE EV13-15/AC1
33	66070R0027	RELAIS POUR COMPRESSEUR			

CODE **66071, 66072**

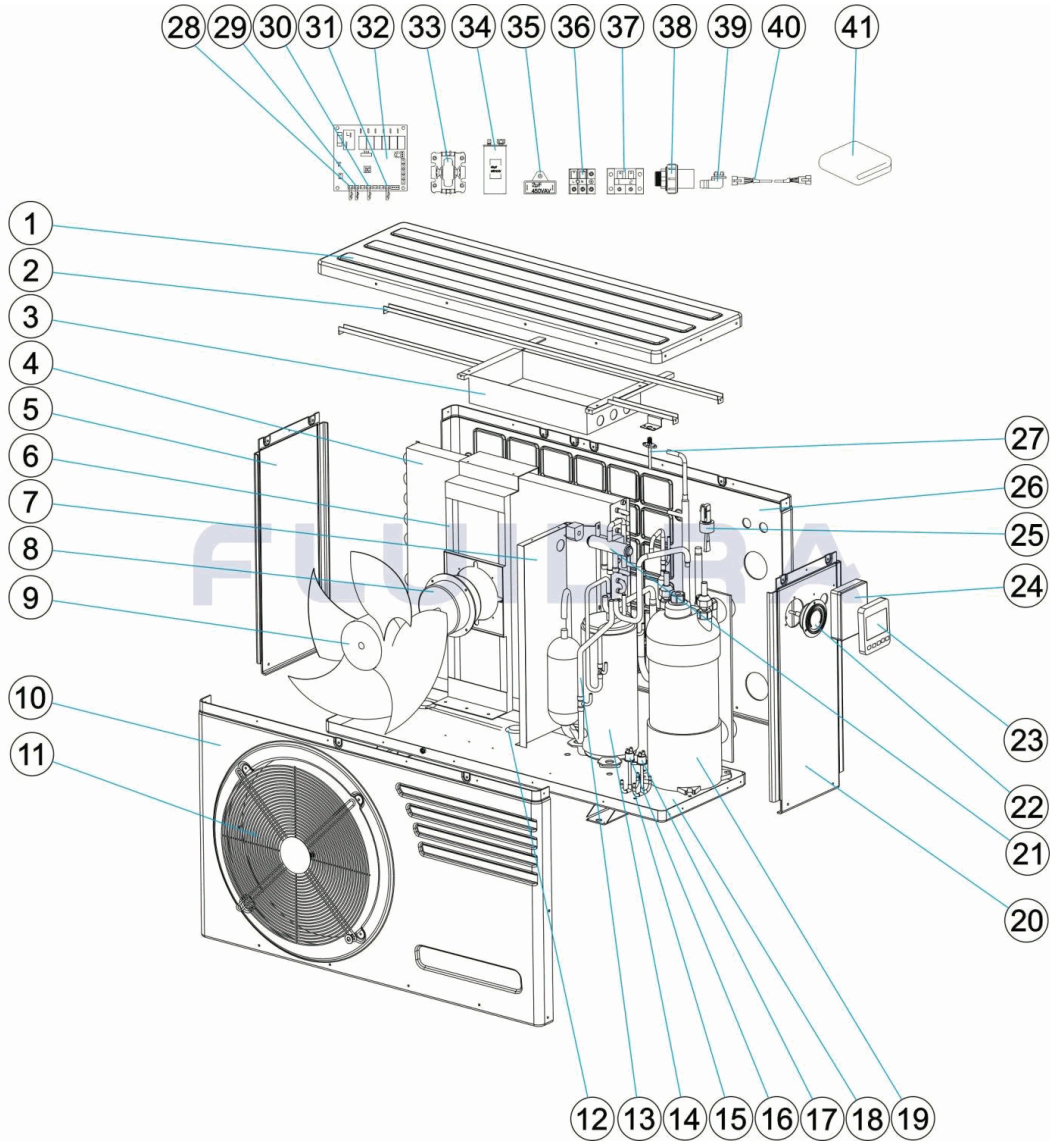
DESCRIPTION: **POMPE À CHALEUR EVOLINE 13-15**

## OBSERVATIONS

POS	CODE	OBSERVATIONS
4	66071R0004	POUR: 66071
4	66072R0004	POUR: 66072
13	66071R0019	POUR: 66071
13	66072R0019	POUR: 66072
14	66071R0012	POUR: 66071
14	66072R0012	POUR: 66072
19	66071R0016	POUR: 66071
19	66072R0016	POUR: 66072
28	66069R0033	POUR: ENTRADA AGUA / INLET WATER
29	66069R0034	POUR: SALIDA AGUA / OUTLET WATER
30	66069R0036	POUR: AIRE / AIR
31	66069R0035	POUR: EVAPORADOR / EVAPORATOR

CODE **66071, 66072**

DESCRIPTION: **HEAT PUMP EVOLINE 13-15**



**ENGLISH**

POS	CODE	DESCRIPTION	QUANTITY	POS	CODE	DESCRIPTION	QUANTITY
1	66071R0001	TOP CAP ABS		13	* 66072R0019	PIPEWORK FOR HEAT EXCHANGER	
2	66071R0002	TOP CAP HOLDER		14	* 66071R0012	COMPRESSOR	
3	66071R0003	ELECTRIC BOX		14	* 66072R0012	COMPRESSOR	
4	* 66071R0004	EVAPORATOR		15	66069R0015	PIPEWORK FOR PRESSURE SWITCH	
4	* 66072R0004	EVAPORATOR		16	66069R0031	HIGH PRESSURE SWITCH	
5	66071R0005	LEFT PANEL ABS		17	66069R0032	LOW PRESSURE SWITCH	
6	66071R0006	FAN MOTOR HOLDER		18	66071R0014	BOTTOM PANEL	
7	66071R0007	PARTITION PANEL		19	* 66071R0016	TITANIUM HEAT EXCHANGER	
8	66071R0008	FAN MOTOR		19	* 66072R0016	TITANIUM HEAT EXCHANGER	
9	66071R0009	FAN BLADE		20	66071R0017	RIGHT PANEL ABS	
10	66071R0010	FRONT PANEL ABS		21	66070R0013	4-WAY VALVE	
11	66071R0011	FAN GUARD		22	66069R0021	MANOMETER	
12	66069R0039	BOTTOM HEATER FOR EVAPORATOR		23	66069R0018	LED DISPLAY CONTROLLER (WIFI)	

**\* SEE OBSERVATIONS SHEET**

CODE **66071, 66072**

DESCRIPTION: **HEAT PUMP EVOLINE 13-15**

13	* 66071R0019	PIPEWORK FOR HEAT EXCHANGER	24	66069R0040	PROTECTION BOX FOR DISPLAY
25	66069R0030	WATER FLOW SWITCH	34	66071R0033	COMPRESSOR CAPACITOR (50UF)
26	66071R0020	BACK PANEL ABS	35	66071R0025	FAN CAPACITOR (4UF)
27	66069R0022	VALVE FOR VACUUM & FILLING	36	66069R0028	POWER TERMINAL
28	* 66069R0033	TEMP SENSOR (L=1200 COPPER C-RED)	37	66069R0029	PUMP TERMINAL
29	* 66069R0034	TEMP SENSOR (L=1200 COPPER C-BLACK)	38	66069R0041	WATER CONNECTOR
30	* 66069R0036	TEMP SENSOR (L=800 PLASTIC C-WHITE)	39	66069R0042	WATER CONDENSATION PURGE
31	* 66069R0035	TEMP SENSOR (L=1200 COPPER C-GREEN)	40	66069R0038	EXTENSION CABLE FOR DISPLAY (10M)
32	66069R0023	CONTROLLER MAIN PCB (WIFI)	41	ACXXPR1003	WINTER COVER EV13-15/AC13-15/ST13
33	66070R0027	RELAY / CONTACTOR FOR COMPRESSOR			



CODE **66071, 66072**

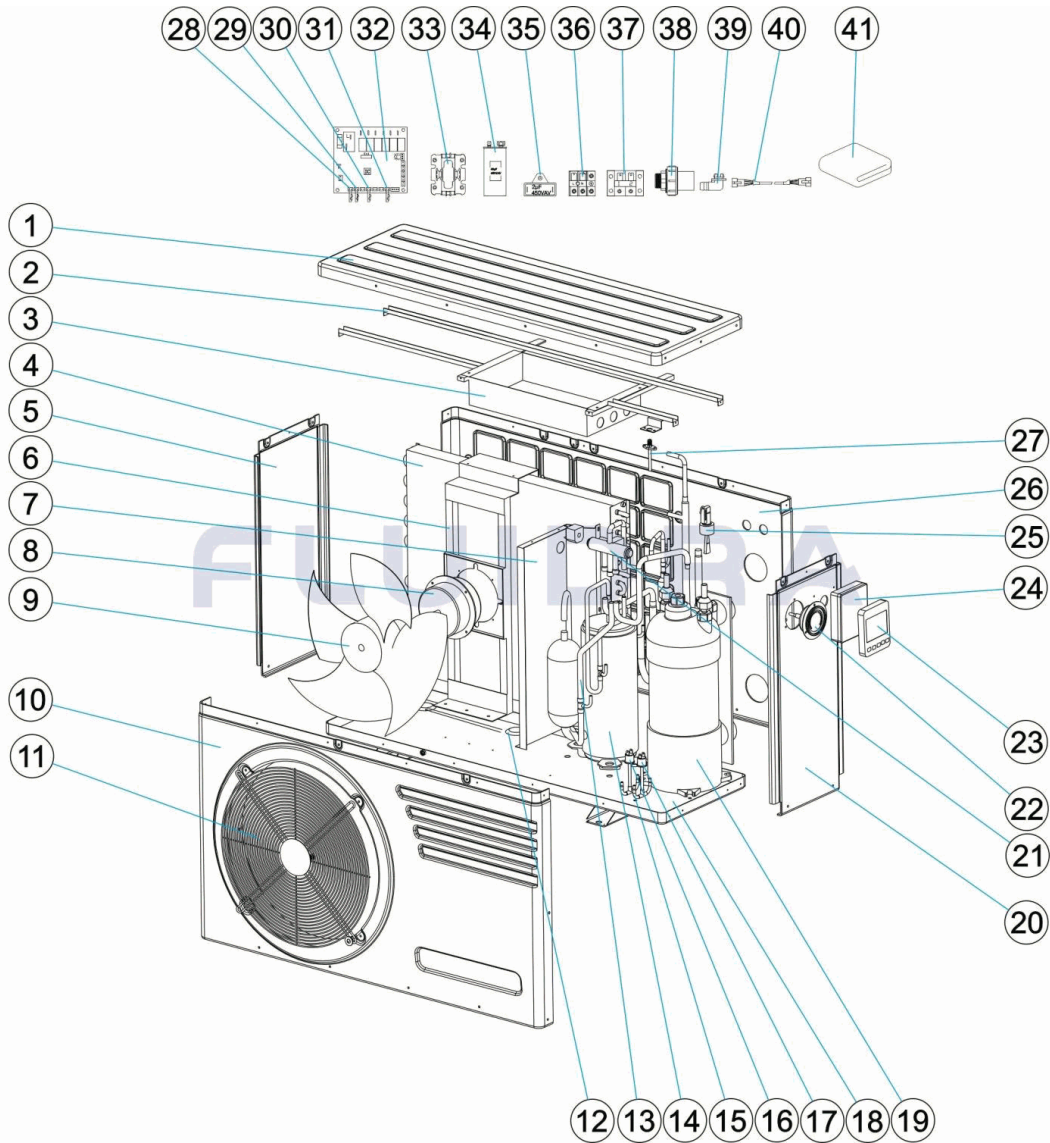
DESCRIPTION: **HEAT PUMP EVOLINE 13-15**

## OBSERVATIONS

POS	CODE	OBSERVATIONS
4	66071R0004	FOR: 66071
4	66072R0004	FOR: 66072
13	66071R0019	FOR: 66071
13	66072R0019	FOR: 66072
14	66071R0012	FOR: 66071
14	66072R0012	FOR: 66072
19	66071R0016	FOR: 66071
19	66072R0016	FOR: 66072
28	66069R0033	FOR: ENTRADA AGUA / INLET WATER
29	66069R0034	FOR: SALIDA AGUA / OUTLET WATER
30	66069R0036	FOR: AIRE / AIR
31	66069R0035	FOR: EVAPORADOR / EVAPORATOR

CODICE 66071, 66072

DESCRIZIONE: POMPA DI CALORE EVOLINE 13-15



ITALIANO

POS	CODICE	DESCRIZIONE	QUANTITA'	POS	CODICE	DESCRIZIONE	QUANTITA'
1	66071R0001	COPERCHIO SUPERIORE ABS		13	* 66072R0019	TUBAZIONE PER INTERCAMBIATORE	
2	66071R0002	SUPPORTO PER COPERCHIO SUPERIORE		14	* 66071R0012	COMPRESSORE	
3	66071R0003	SCATOLA DI DERIVAZIONE		14	* 66072R0012	COMPRESSORE	
4	* 66071R0004	EVAPORATORE		15	66069R0015	TUBAZIONE PER PRESSOSTATO	
4	* 66072R0004	EVAPORATORE		16	66069R0031	INTERRUTTORE ALTA PRESSIONE	
5	66071R0005	PANNELLO SINISTRO ABS		17	66069R0032	INTERRUTTORE BASSA PRESSIONE	
6	66071R0006	SUPPORTO PER VENTILATORE MOTORE		18	66071R0014	PANNELLO INFERIORE	
7	66071R0007	PANNELLO PARTIZIONE		19	* 66071R0016	INTERCAMBIATORE IN TITANIO	
8	66071R0008	MOTORE VENTILATORE		19	* 66072R0016	INTERCAMBIATORE IN TITANIO	
9	66071R0009	PALE VENTILATORE		20	66071R0017	PANNELLO DESTRO ABS	
10	66071R0010	PANNELLO FRONTALE ABS		21	66070R0013	VALVOLA A 4 VIE	
11	66071R0011	GRIGLIA VENTILATORE		22	66069R0021	MANOMETRO	
12	66069R0039	RESISTENZA DISGELO		23	66069R0018	CONTROLLER SCHERMO LED (WIFI)	

\* SI FACCIA RIFERIMENTO AL FOGLIO DELLE OSSERVAZIONI

CODICE **66071, 66072**

DESCRIZIONE: **POMPA DI CALORE EVOLINE 13-15**

13	* 66071R0019	TUBAZIONE PER INTERCAMBIATORE	24	66069R0040	SCATOLA PROTETTIVA PER SCHERMO
25	66069R0030	FLUSSOSTATO	34	66071R0033	CONDENSATORE COMPRESSORE (50UF)
26	66071R0020	PANNELLO POSTERIORE ABS	35	66071R0025	CONDENSATORE VENTILATORE (4UF)
27	66069R0022	VALVOLA DI SVUOTAMENTO/RIEMPIMENTO	36	66069R0028	TERMINALE DI POTENZA
28	* 66069R0033	SENSORE TEMPERATURA	37	66069R0029	TERMINALE PER POMPA
29	* 66069R0034	SENSORE TEMPERATURA	38	66069R0041	CONNETTORE ACQUA
30	* 66069R0036	SENSORE TEMPERATURA	39	66069R0042	SCARICO ACQUA CONDENSAZIONE
31	* 66069R0035	SENSORE TEMPERATURA	40	66069R0038	ESTENSIONE CAVO PER SCHERMO (10M)
32	66069R0023	SCHEDA BASE PCB (WIFI)	41	ACXXPR1003	COPERTA DI INVERNO EV13-15/AC13-15/S
33	66070R0027	RELÈ PER COMPRESSORE			

CODICE **66071, 66072**

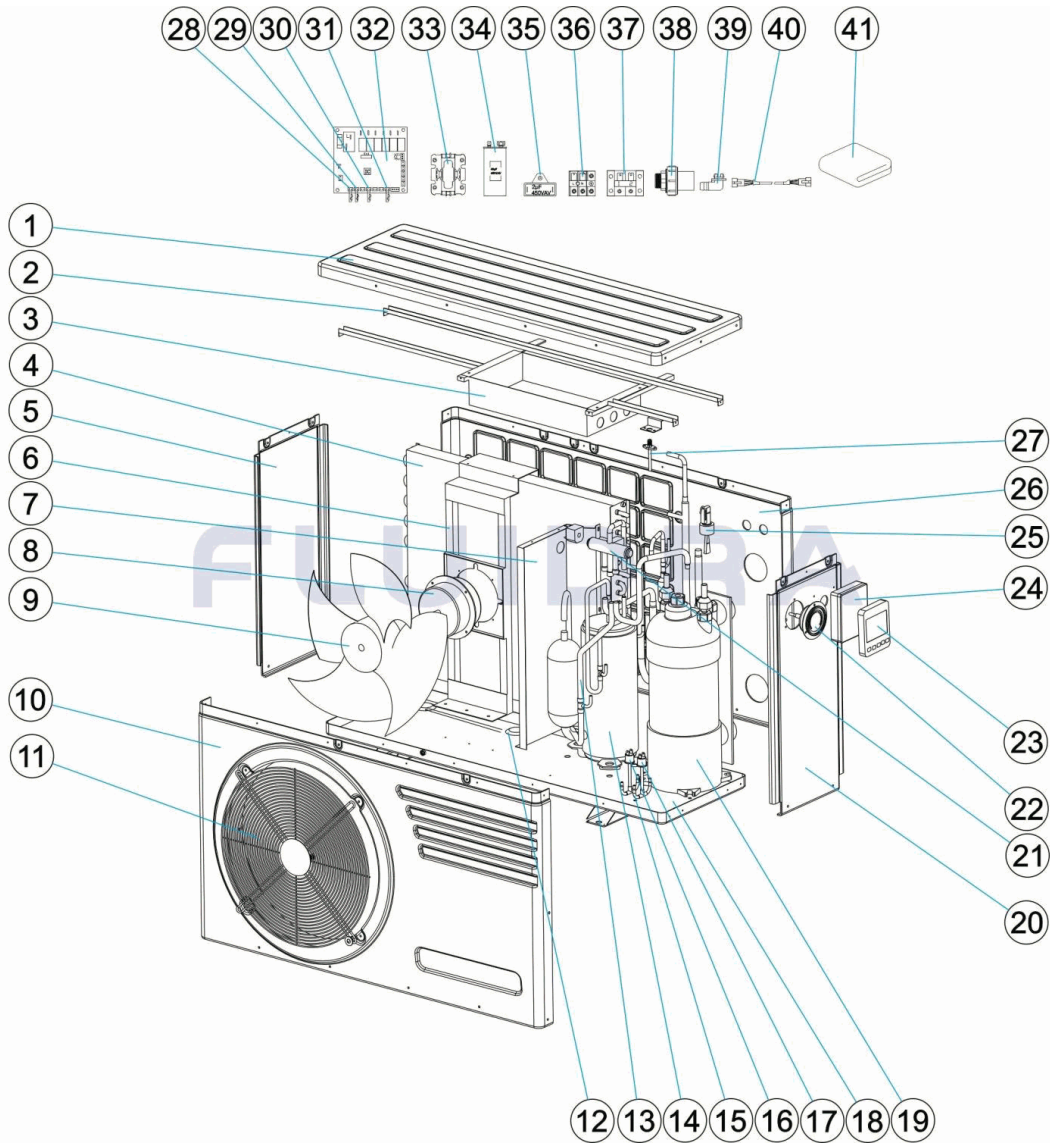
DESCRIZIONE: **POMPA DI CALORE EVOLINE 13-15**

## OSSERVAZIONI

POS	CODICE	OSSERVAZIONI
4	66071R0004	PER: 66071
4	66072R0004	PER: 66072
13	66071R0019	PER: 66071
13	66072R0019	PER: 66072
14	66071R0012	PER: 66071
14	66072R0012	PER: 66072
19	66071R0016	PER: 66071
19	66072R0016	PER: 66072
28	66069R0033	PER: ENTRADA AGUA / INLET WATER
29	66069R0034	PER: SALIDA AGUA / OUTLET WATER
30	66069R0036	PER: AIRE / AIR
31	66069R0035	PER: EVAPORADOR / EVAPORATOR

CODE **66071, 66072**

BESCHREIBUNG: **WÄRMEPUMPE EVOLINE 13-15**



**DEUTSCH**

POS	CODE	BESCHREIBUNG	MENGE	POS	CODE	BESCHREIBUNG	MENGE
1	66071R0001	ABDECKUNG OBEN ABS		13	* 66072R0019	VERROHRUNG WÄRMEÜBERTRAGER	
2	66071R0002	HALTERUNG FÜR ABDECKUNG OBEN		14	* 66071R0012	KOMPRESSOR	
3	66071R0003	ELEKTRONIKSCHRANK		14	* 66072R0012	KOMPRESSOR	
4	* 66071R0004	VERDAMPFER		15	66069R0015	VERROHRUNG DRUCKSCHALTER	
4	* 66072R0004	VERDAMPFER		16	66069R0031	SCHALTER HOCHDRUCK	
5	66071R0005	PLATTE LINKS ABS		17	66069R0032	SCHALTER TIEFDRUCK	
6	66071R0006	HALTERUNG MOTORVENTILATOR		18	66071R0014	UNTERPLATTE	
7	66071R0007	ZWISCHENPLATTE		19	* 66071R0016	WÄRMEÜBERTRAGER TITANIUM	
8	66071R0008	VENTILATORMOTOR		19	* 66072R0016	WÄRMEÜBERTRAGER TITANIUM	
9	66071R0009	ROTORBLÄTTER VENTILATOR		20	66071R0017	PLATTE RECHTS ABS	
10	66071R0010	FRONTPLATTE ABS		21	66070R0013	4-WEGE-VENTIL	
11	66071R0011	VENTILATORGITTER		22	66069R0021	MANOMETER	
12	66069R0039	HEIZSTAB ENTEISER		23	66069R0018	DRIVER LED DISPLAY (WIFI)	

**\* SIEHE ANMERKUNGSBLATT**

CODE **66071, 66072**

BESCHREIBUNG: **WÄRMEPUMPE EVOLINE 13-15**

13	* 66071R0019	VERROHRUNG WÄRMEÜBERTRAGER	24	66069R0040	SCHUTZSCHRANK FÜR DISPLAY
25	66069R0030	DURCHFLUSSMESSER	34	66071R0033	KOMPRESSORKONDENSATOR (50 UF)
26	66071R0020	PLATTE HINTEN ABS	35	66071R0025	VENTILATORKONDENSATOR (4 UF)
27	66069R0022	VENTIL BEFÜLLUNG/ENTLEERUNG	36	66069R0028	ANSCHLUSS
28	* 66069R0033	TEMPERATURFÜHLER	37	66069R0029	ANSCHLUSS FÜR PUMPE
29	* 66069R0034	TEMPERATURFÜHLER	38	66069R0041	ANSCHLUSS WASSER
30	* 66069R0036	TEMPERATURFÜHLER	39	66069R0042	ABLASS KONDENSWASSER
31	* 66069R0035	TEMPERATURFÜHLER	40	66069R0038	VERLÄNGERUNGSKABEL DISPLAY (10 M)
32	66069R0023	BASISPLATTE PCB (WIFI)	41	ACXXPR1003	WINTERDECKEL EV13-15/AC13-15/ST13
33	66070R0027	KOMPRESSORRELAIS			

CODE **66071, 66072**

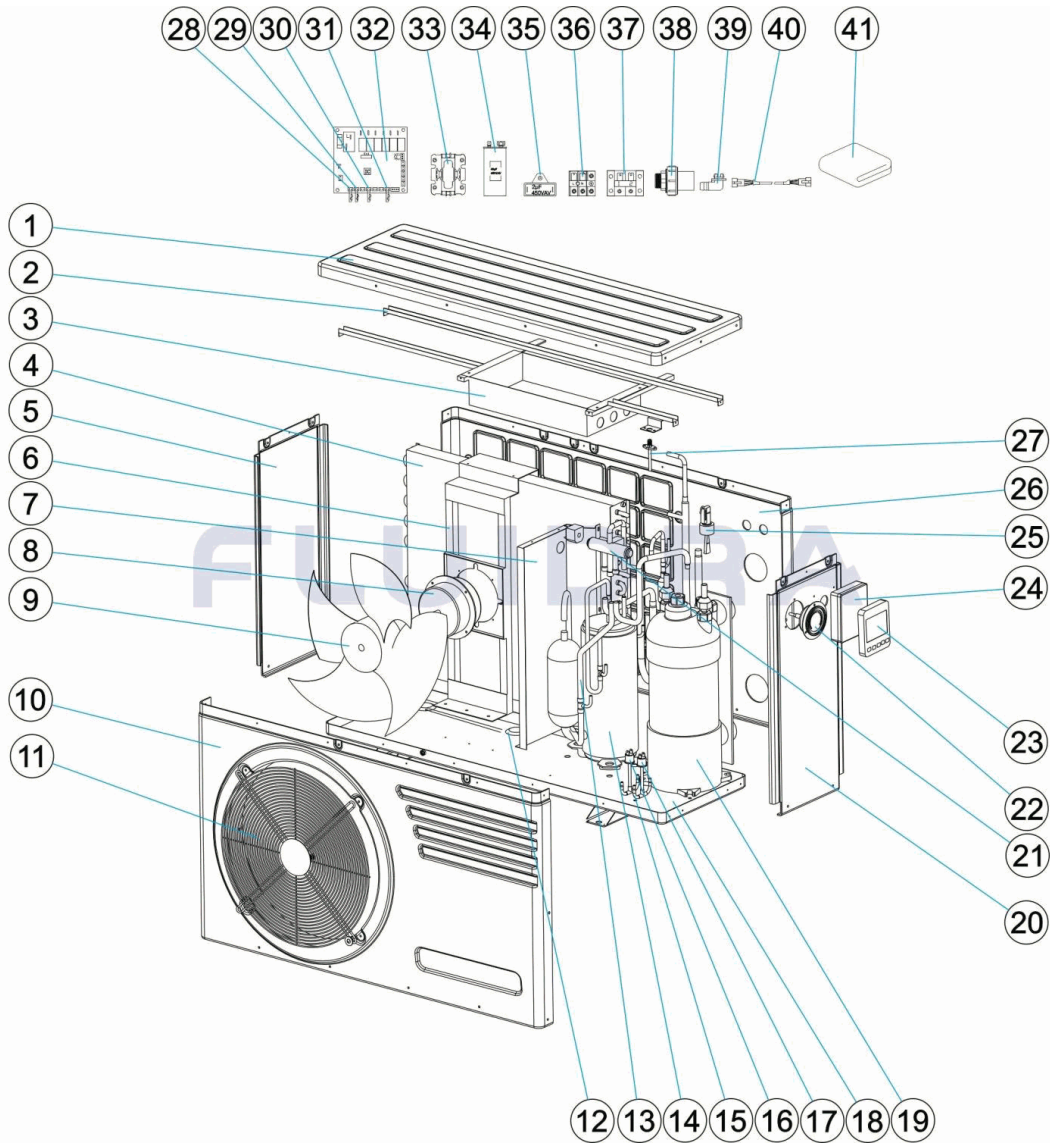
BESCHREIBUNG: **WÄRMEPUMPE EVOLINE 13-15**

## HINWEISE

POS	CODE	HINWEISE
4	66071R0004	FÜR: 66071
4	66072R0004	FÜR: 66072
13	66071R0019	FÜR: 66071
13	66072R0019	FÜR: 66072
14	66071R0012	FÜR: 66071
14	66072R0012	FÜR: 66072
19	66071R0016	FÜR: 66071
19	66072R0016	FÜR: 66072
28	66069R0033	FÜR: ENTRADA AGUA / INLET WATER
29	66069R0034	FÜR: SALIDA AGUA / OUTLET WATER
30	66069R0036	FÜR: AIRE / AIR
31	66069R0035	FÜR: EVAPORADOR / EVAPORATOR

CODIGO **66071, 66072**

DESCRIÇÃO: **BOMBA DE CALOR EVOLINE 13-15**



**PORTUGUES**

POS	CODIGO	DESCRIÇÃO	QUANTIDADE	POS	CODIGO	DESCRIÇÃO	QUANTIDADE
1	66071R0001	TAMPA SUPERIOR ABS		13	* 66072R0019	TUBAGENS PARA PERMUTADOR	
2	66071R0002	SUPORTE PARA TAMPA SUPERIOR		14	* 66071R0012	COMPRESSOR	
3	66071R0003	CAIXA ELÉTRICA		14	* 66072R0012	COMPRESSOR	
4	* 66071R0004	EVAPORADOR		15	66069R0015	TUBAGENS PARA PRESSÓSTATO	
4	* 66072R0004	EVAPORADOR		16	66069R0031	INTERRUPTOR ALTA PRESSÃO	
5	66071R0005	PAINEL ESQUERDO ABS		17	66069R0032	INTERRUPTOR BAIXA PRESSÃO	
6	66071R0006	SUPORTE PARA VENTILADOR MOTOR		18	66071R0014	PAINEL INFERIOR	
7	66071R0007	PAINEL PARTIÇÃO		19	* 66071R0016	PERMUTADOR DE TITÂNIO	
8	66071R0008	MOTOR VENTILADOR		19	* 66072R0016	PERMUTADOR DE TITÂNIO	
9	66071R0009	PÁS VENTILADOR		20	66071R0017	PAINEL DIREITO ABS	
10	66071R0010	PAINEL FRONTAL ABS		21	66070R0013	VÁLVULA DE 4 VIAS	
11	66071R0011	GRADE VENTILADOR		22	66069R0021	MANÓMETRO	
12	66069R0039	RESISTÊNCIA DESCONGELAÇÃO		23	66069R0018	CONTROLADOR DE ECRÃ LED (WIFI)	

**\* VEJA A FICHA DE OBSERVAÇÕES**



CODIGO **66071, 66072**

DESCRIÇÃO: **BOMBA DE CALOR EVOLINE 13-15**

13	* 66071R0019	TUBAGENS PARA PERMUTADOR	24	66069R0040	CAIXA PROTEÇÃO PARA ECRÃ
25	66069R0030	COMUTADOR DO CAUDAL DA ÁGUA	34	66071R0033	CONDENSADOR COMPRESSOR (50UF)
26	66071R0020	PAINEL POSTERIOR ABS	35	66071R0025	CONDENSADOR VENTILADOR (4UF)
27	66069R0022	VÁLVULA PARA ESVAZIAR/ENCHER	36	66069R0028	TERMINAL DE POTÊNCIA
28	* 66069R0033	SENSOR TEMPERATURA	37	66069R0029	TERMINAL PARA BOMBA
29	* 66069R0034	SENSOR TEMPERATURA	38	66069R0041	TOMADA DE ABASTECIMENTO DE ÁGUA
30	* 66069R0036	SENSOR TEMPERATURA	39	66069R0042	PURGA ÁGUA CONDENSAÇÃO
31	* 66069R0035	SENSOR TEMPERATURA	40	66069R0038	EXTENSÃO CABO PARA ECRÃ (10M)
32	66069R0023	PLACA BASE PCB (WIFI)	41	ACXXPR1003	COBERTURA DE INVERNO EV13-15/AC13-
33	66070R0027	RELÉ PARA COMPRESSOR			

CODIGO **66071, 66072**

DESCRIÇÃO: **BOMBA DE CALOR EVOLINE 13-15**

## OBSERVACÕES

POS	CODIGO	OBSERVACÕES
4	66071R0004	PARA: 66071
4	66072R0004	PARA: 66072
13	66071R0019	PARA: 66071
13	66072R0019	PARA: 66072
14	66071R0012	PARA: 66071
14	66072R0012	PARA: 66072
19	66071R0016	PARA: 66071
19	66072R0016	PARA: 66072
28	66069R0033	PARA: ENTRADA AGUA / INLET WATER
29	66069R0034	PARA: SALIDA AGUA / OUTLET WATER
30	66069R0036	PARA: AIRE / AIR
31	66069R0035	PARA: EVAPORADOR / EVAPORATOR