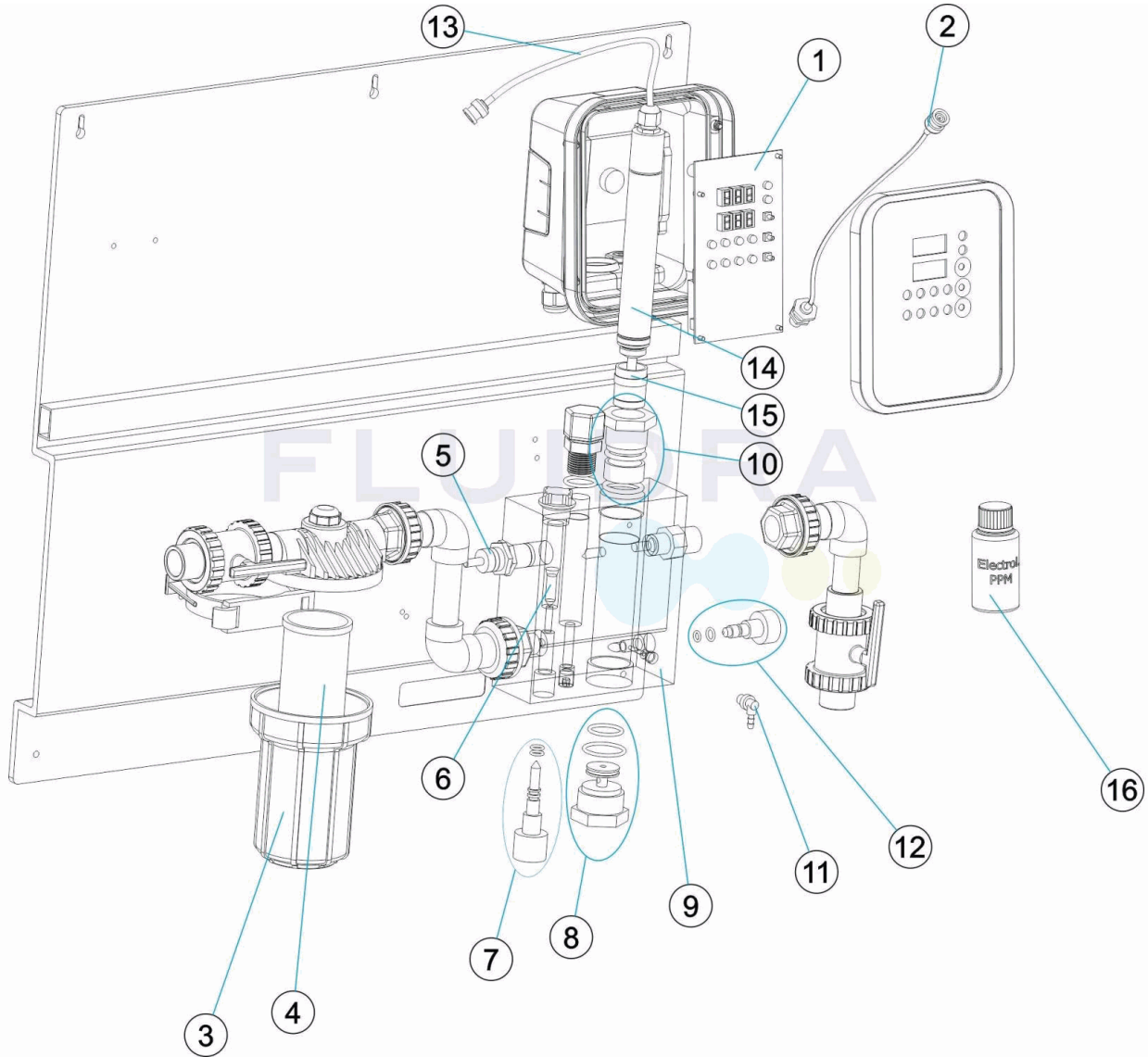


CODIGO **60362**

DESCRIPCION: **AP PR-204 CL2 PPM**

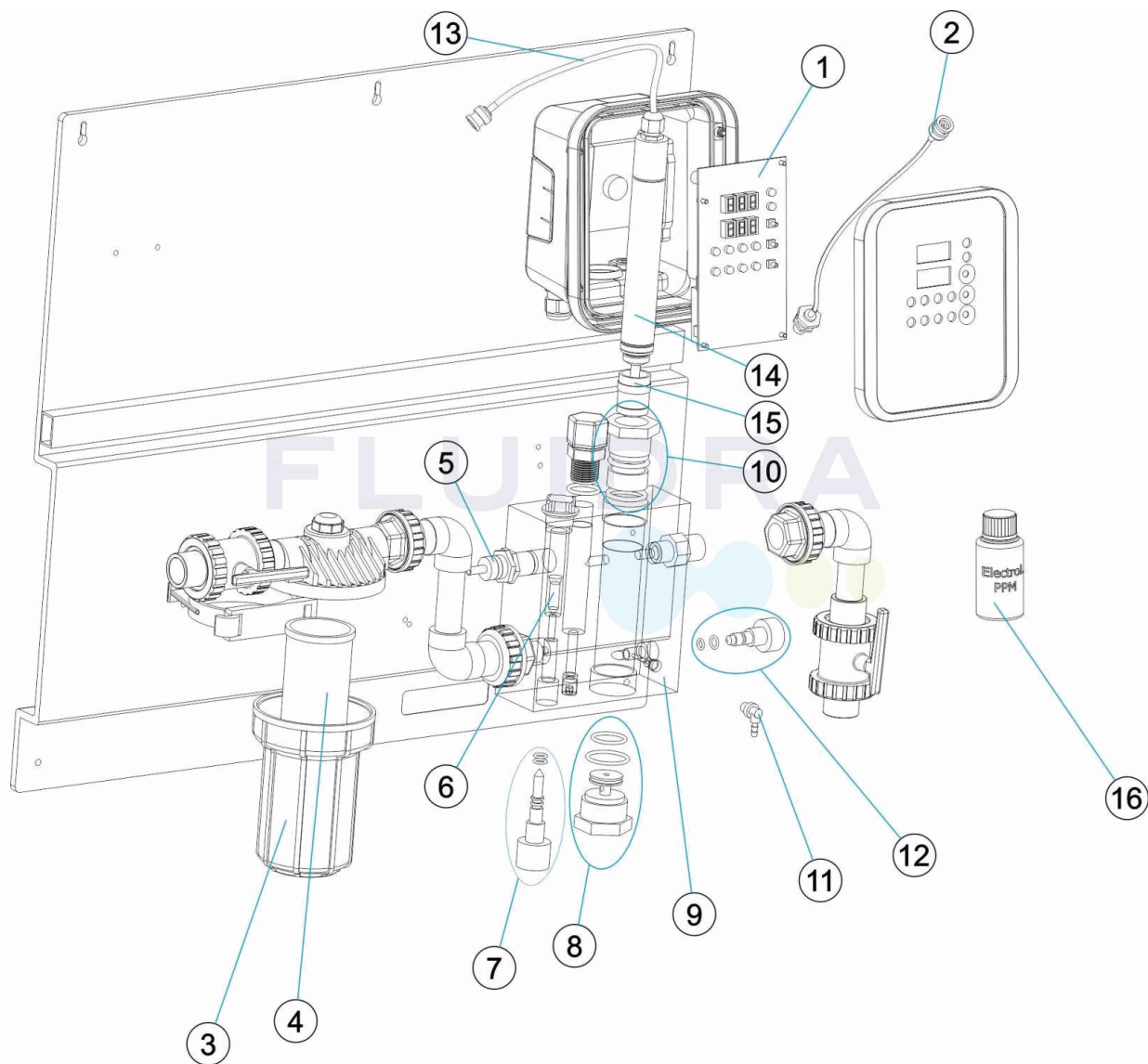


ESPAÑOL

POS	CODIGO	DESCRIPCION	POS	CODIGO	DESCRIPCION
1	4408040152	PLACA CONTROL PPM	9	4408041540	PORTASONDAS PH + CL
2	4408070069	CONECTOR BCN	10	4408040161	RACOR + JUNTA TORICA
3	4408041538	PORTASONDAS E/S ½"	11	4408040158	SALIDA DESAGÜE TOMA MUESTRAS
4	4408041537	FILTRO PORTASONDAS LAVABLE	12	4408040157	VÁLVULA TOMA MUESTRAS
5	4408041541	SENSOR INDUCTIVO DE CAUDAL	13	4408040216	CABLE BNC MACHO 2 HILOS A SONDA PPM
6	4408040159	FLOTADOR DETECTOR DE CAUDAL	14	60645	SENSOR CLORO LIBRE
7	4408040156	VALVULA CAUDAL + JUNTA TORICA	15	60647	CABEZAL MEMBRANA SENSOR CLORO LIBRE
8	4408040160	TAPÓN INFERIOR SONDA AMPEROMÉTRICA	16	60646	ELECTROLITO ECC1/GEL SONDA CL

CODE **60362**

DESCRIPTION: **AP PR-204 CL2 PPM**

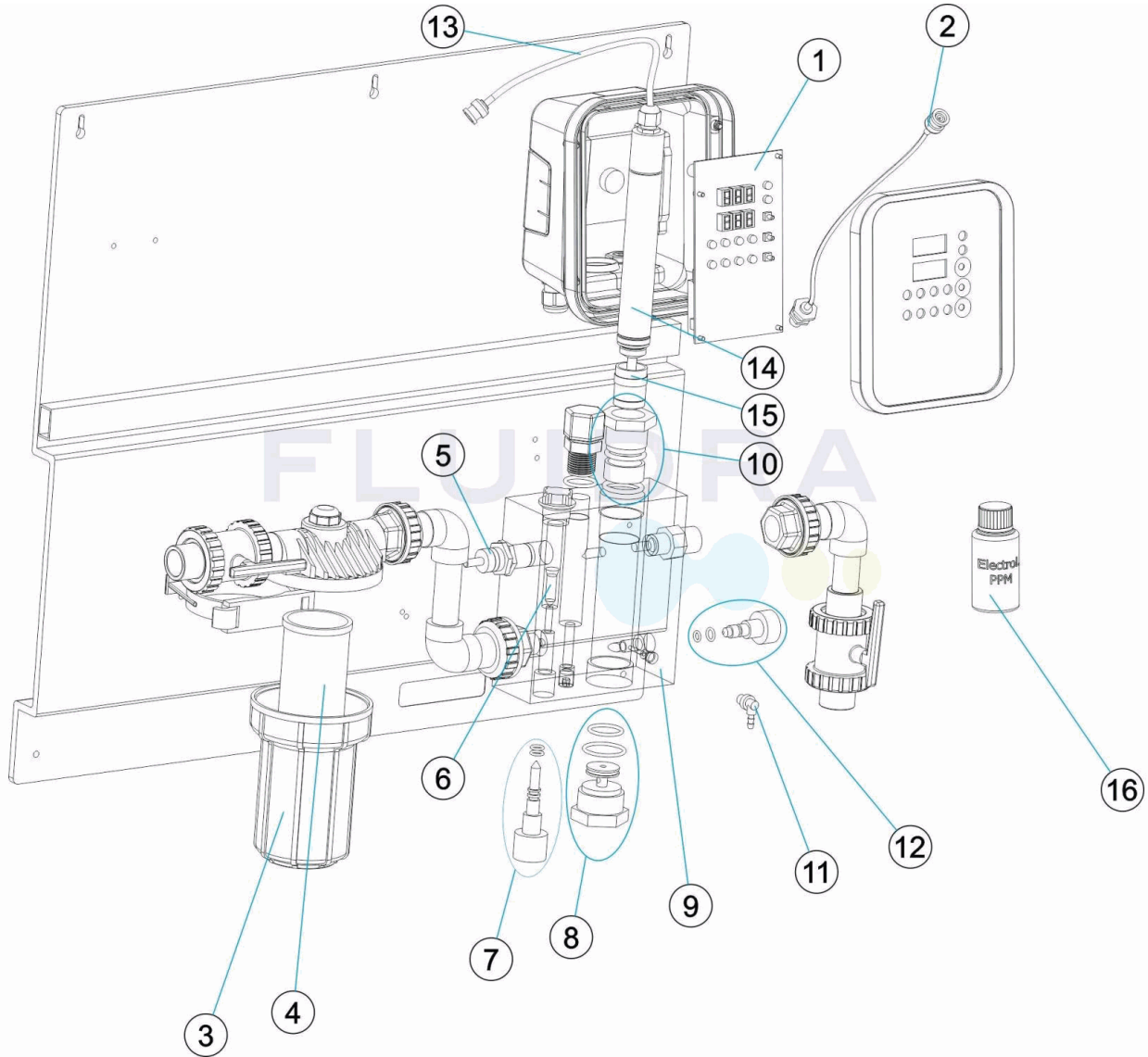


FRANCAIS

POS	CODE	DESCRIPTION	POS	CODE	DESCRIPTION
1	4408040152	PLAQUE CONTRÔLE PPM	9	4408041540	PORTE-SONDES PH + CL
2	4408070069	CONNECTEUR BCN	10	4408040161	RACCORD + JOINT TORIQUE
3	4408041538	PORTE-SONDES E/S ½"	11	4408040158	SORTIE DRAINAGE PRISE ÉCHANTILLONS
4	4408041537	FILTRE PORTE-SONDES LAVABLE	12	4408040157	VANNE PRISE ÉCHANTILLONS
5	4408041541	SONDE DE DÉBIT INDUCTIVE	13	4408040216	CABLE BNC MÂLE 2 FILS À SONDE PPM
6	4408040159	FLOTTEUR DÉTECTEUR DÉBIT	14	60645	SONDE DE CHLORE LIBRE
7	4408040156	VANNE REGULATION DE DEBIT + JOINT TORIQUE	15	60647	CAPSULE MEMBRANE POUR SONDE CHLORE LIBE
8	4408040160	BOUCHON INF. CAPTEUR AMPÉROMÉTRIQUE	16	60646	ELECTROLYTE

CODE **60362**

DESCRIPTION: **AP PR-204 CL2 PPM**

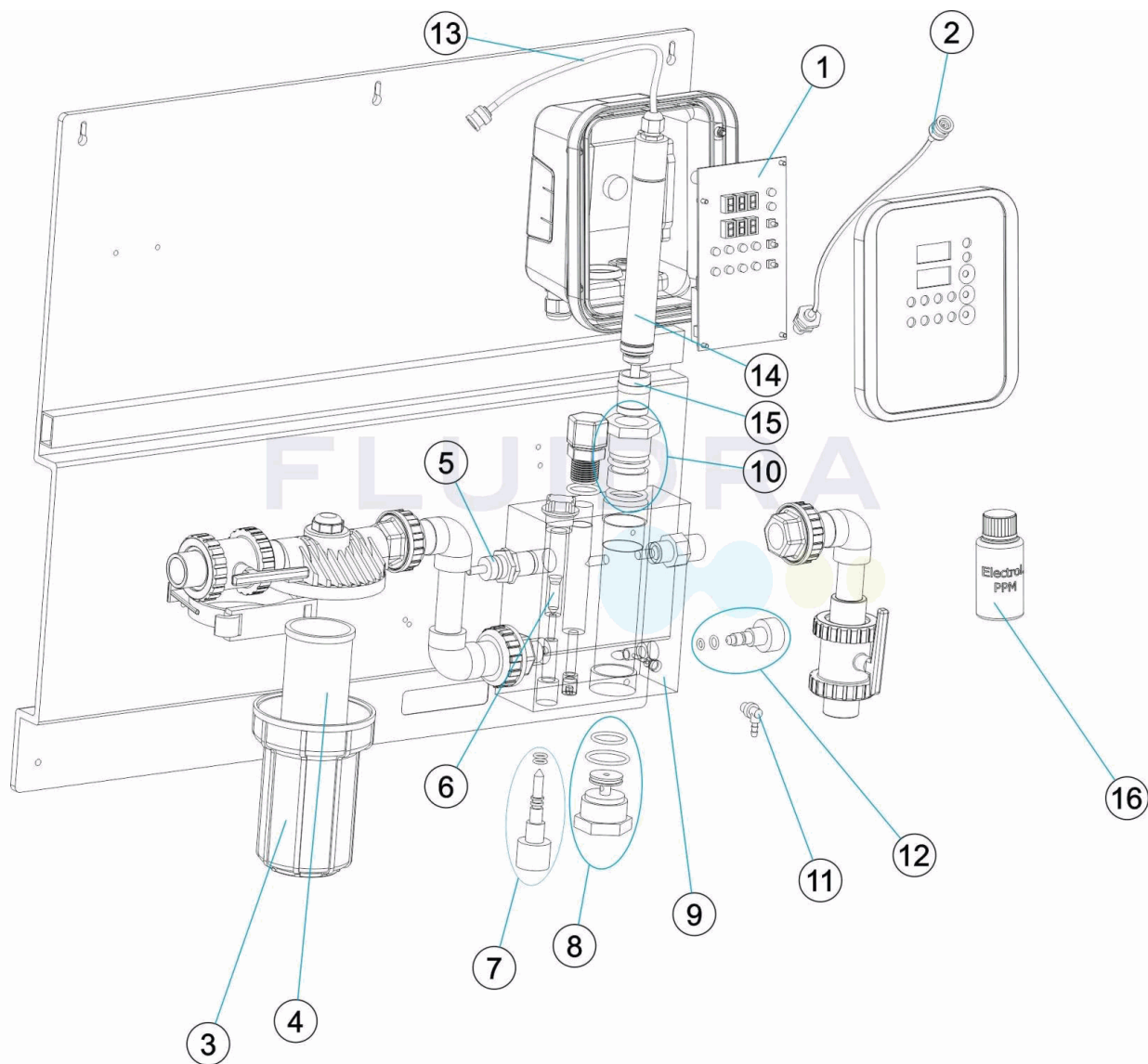


ENGLISH

POS	CODE	DESCRIPTION	POS	CODE	DESCRIPTION
1	4408040152	ELECTRONIC CARD PPM	9	4408041540	SENSOR HOLDER PH + CL
2	4408070069	BCN CONNECTOR	10	4408040161	ADAPTOR + O' RING
3	4408041538	MAXIM CELL E/S ½"	11	4408040158	SAMPLING DRAIN OUTLET
4	4408041537	WASHABLE MAXIM CELL FILTER	12	4408040157	SAMPLING VALVE
5	4408041541	INDUCTIVE FLOW SENSOR	13	4408040216	2 WIRE MALE BNC CABLE TO PPM PROBE
6	4408040159	FLOW DETECTOR FLOAT	14	60645	FREE CHLORINE SENSOR
7	4408040156	CONTROL VALVE + O' RING	15	60647	MEMBRANE CAP FOR FREE CHLORINE SENSOR
8	4408040160	LOWER CAP AMPEROMETRIC PROBE	16	60646	ELECTROLITE

CODICE **60362**

DESCRIZIONE: **AP PR-204 CL2 PPM**

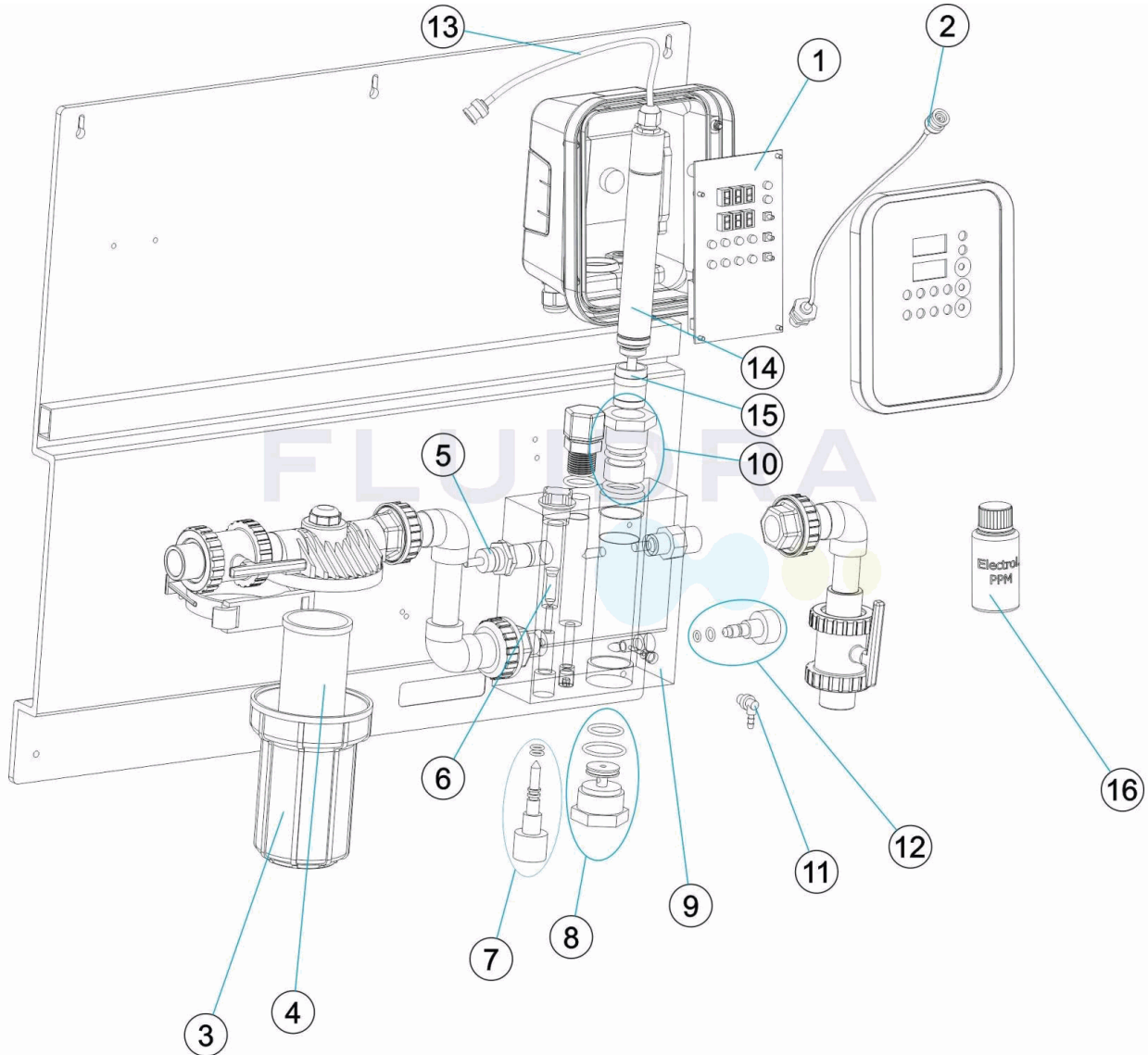


ITALIANO

POS	CODICE	DESCRIZIONE	POS	CODICE	DESCRIZIONE
1	4408040152	SCHEDA PPM	9	4408041540	PORTA-SONDE PH + CL
2	4408070069	CONNETTORE BCN	10	4408040161	RACCORDO + O-RING
3	4408041538	PORTA-SONDE E/S 1/2"	11	4408040158	USCITA SCARICO PRELIEVO CAMPIONI
4	4408041537	FILTRO PORTA-SONDE LAVABILE	12	4408040157	VALVOLA PRELIEVO CAMPIONI
5	4408041541	SONDA DI FLUSSO INDUTTIVA	13	4408040216	CAVO BNC MASCHIO 2 FILI A SONDA PPM
6	4408040159	GALLEGGIANTE RILEVATORE DI PORTATA	14	60645	SONDA DI CLORO LIBERO
7	4408040156	VALVOLA DI REGOLAZIONE + O-RING	15	60647	TAPPO MEMBRANA PER SONDA CLORO LIBERO
8	4408040160	TAPPO INFERIORE SONDA AMPEROMETRICA	16	60646	ELETTROLITO

CODE **60362**

BESCHREIBUNG: **AP PR-204 CL2 PPM**

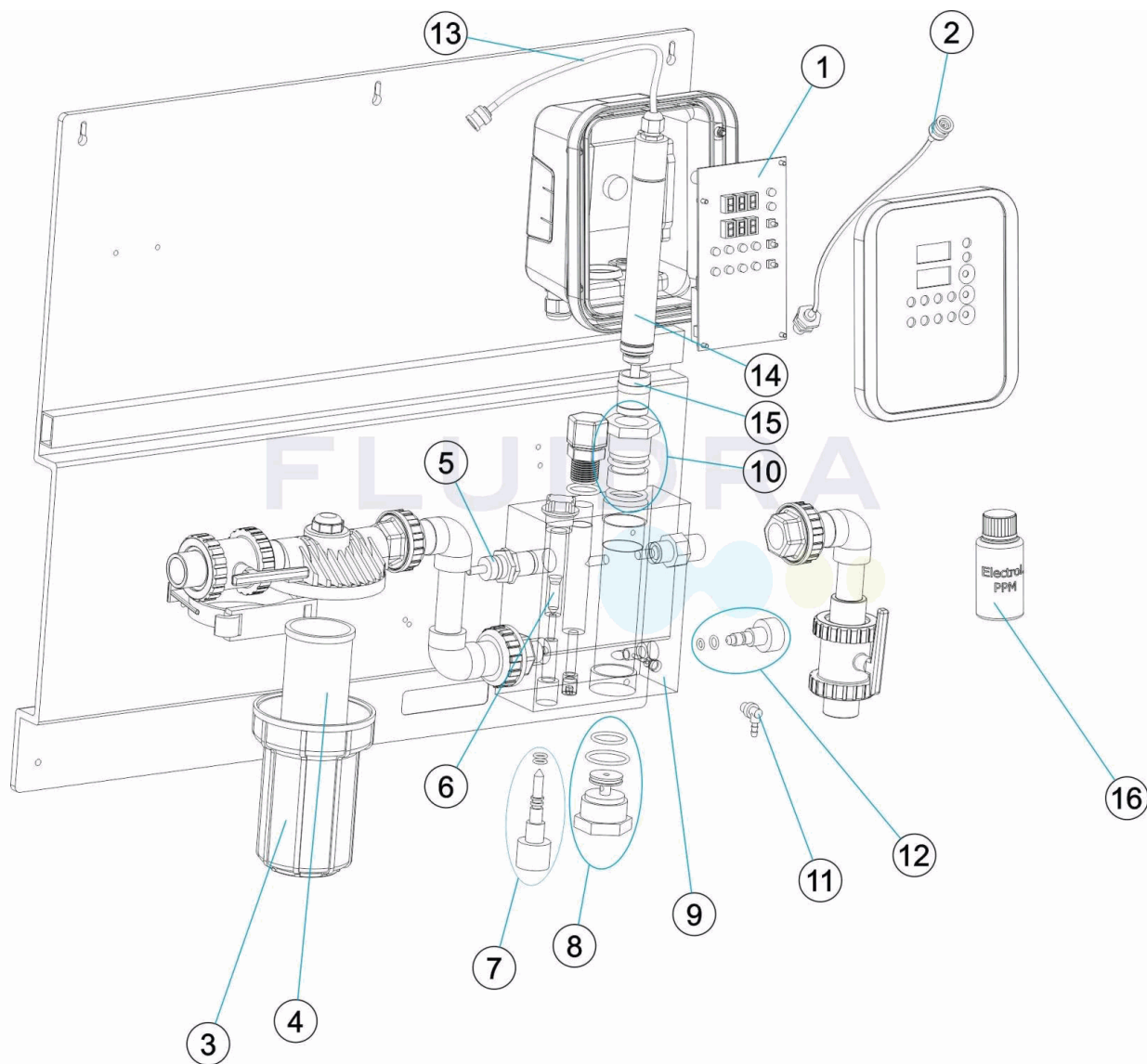


DEUTSCH

POS	CODE	BESCHREIBUNG	POS	CODE	BESCHREIBUNG
1	4408040152	PPM-KONTROLLPLATTE	9	4408041540	SONDENHALTERUNG PH + CL
2	4408070069	STECKKUPPLUNG BCN	10	4408040161	GEWINDESTÜCK + O-RING
3	4408041538	SONDENHALTERUNG E/S ½"	11	4408040158	ABLASS PROBEENTNAHME
4	4408041537	SONDENHALTERUNG FILTER WASCHBAR	12	4408040157	VENTIL PROBEENTNAHME
5	4408041541	INDUKTIVER DURCHFLUSSMESSER	13	4408040216	KABEL BNC NIPPEL 2 FASEN ZU PPM-SONDE
6	4408040159	SCHWIMMER DURCHFLUSSANZEIGE	14	60645	FREICHLORMESSER
7	4408040156	DURCHFLUSSVENTIL + O-RING	15	60647	KOPFSTÜCK MEMBRAN FREICHLORMESSER
8	4408040160	STOPFEN UNTEN AMPEREMETRISCHE SONDE	16	60646	ELEKTROLYT ECC1/GEL SONDE CL

CODIGO **60362**

DESCRIÇÃO: **AP PR-204 CL2 PPM**



PORTUGUES

POS	CODIGO	DESCRIÇÃO	POS	CODIGO	DESCRIÇÃO
1	4408040152	PLACA CONTROLO PPM	9	4408041540	PORTA-SONDAS PH + CL
2	4408070069	LIGAÇÃO BCN	10	4408040161	RACORD + JUNTA TÓRICA
3	4408041538	PORTA-SONDAS E/S ½"	11	4408040158	SAÍDA DESCARGA RECOLHA AMOSTRAS
4	4408041537	FILTRO PORTA-SONDAS LAVÁVEL	12	4408040157	VÁLVULA RECOLHA AMOSTRAS
5	4408041541	SONDA DE CAUDAL INDUTIVA	13	4408040216	CABO BNC MACHO 2 FIOS A SONDA PPM
6	4408040159	BOIA DETETOR DE CAUDAL	14	60645	SONDA DE CLORO LIVRE
7	4408040156	VÁLVULA CAUDAL + JUNTA TÓRICA	15	60647	CÁPSULA MEMBRANA PARA SONDA CLORO LIVRE
8	4408040160	TAMPA INFERIOR SONDA AMPEROMÉTRICA	16	60646	ELECTROLITO