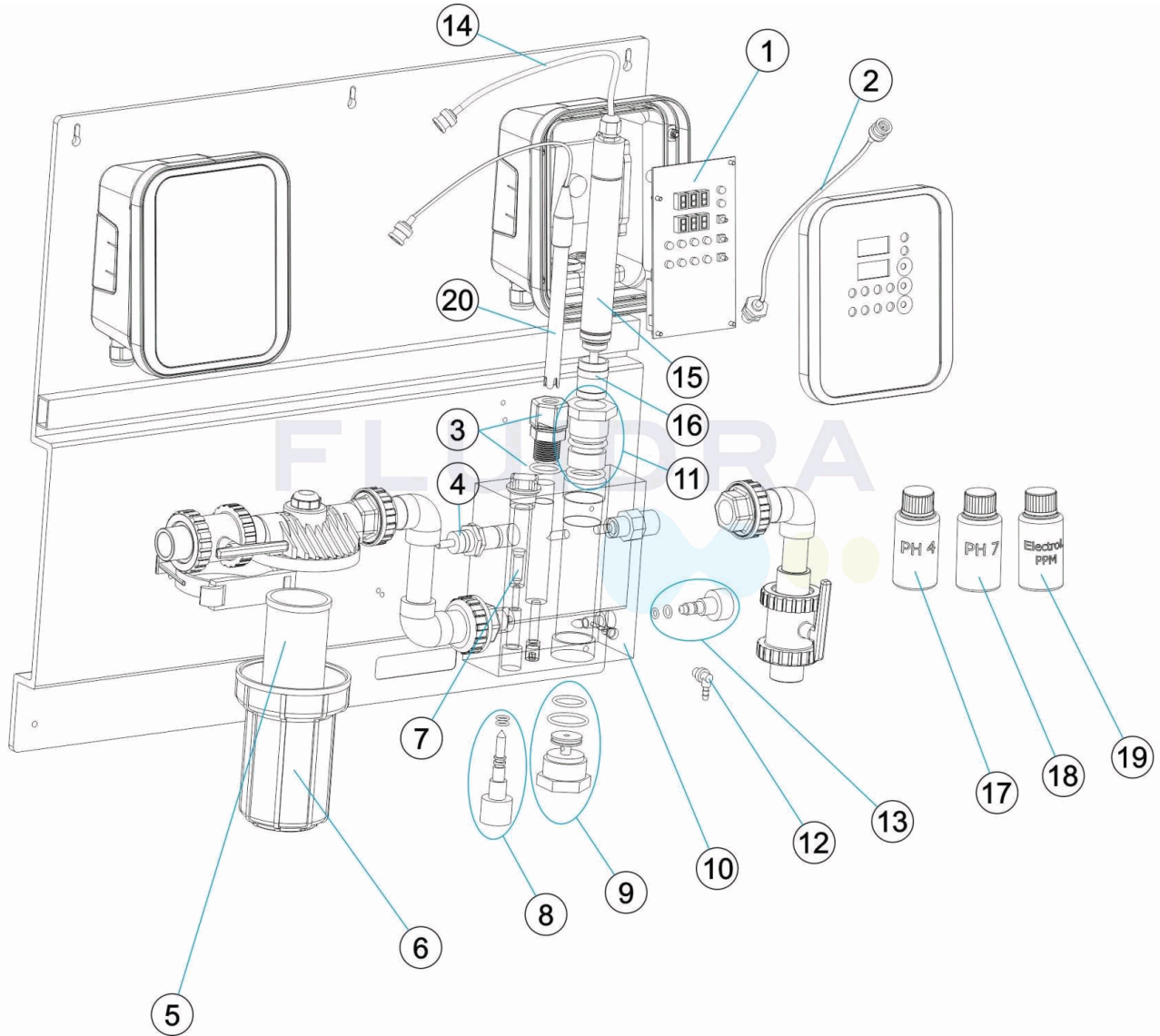


CODIGO 60361

DESCRIPCION: AP PR-207 PH/Cl2 PPM



ESPAÑOL

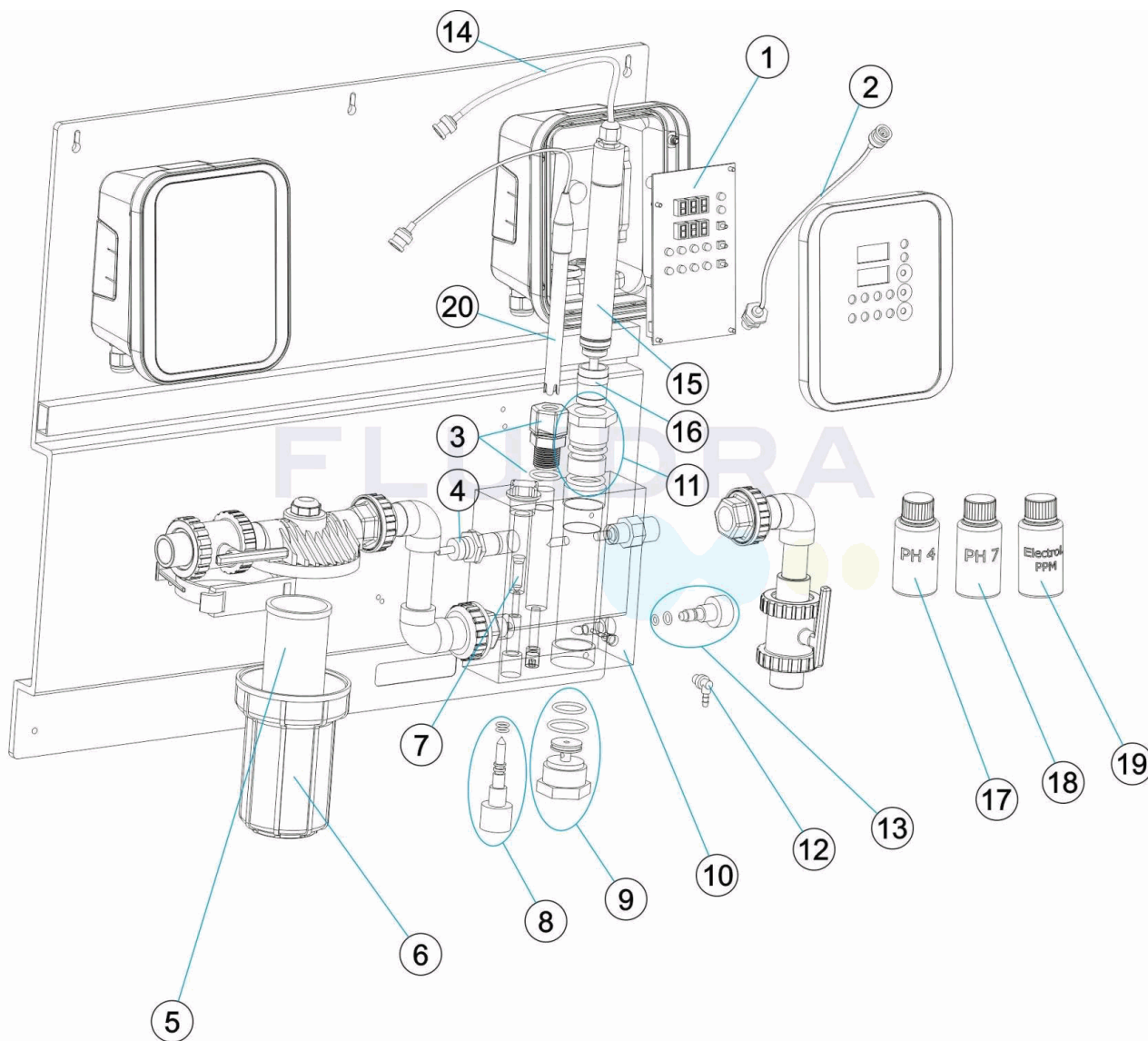
POS	CODIGO	DESCRIPCION	POS	CODIGO	DESCRIPCION
1	* 4408040152	PLACA CONTROL PPM	11	4408040161	RACOR + JUNTA TORICA
1	* 4408040154	PLACA CONTROL PH	12	4408040158	SALIDA DESAGÜE TOMA MUESTRAS
2	4408070069	CONECTOR BCN	13	4408040157	VÁLVULA TOMA MUESTRAS
3	4408040604	PORTAELECTRODOS PE 12M/M-1/2"	14	4408040216	CABLE BNC MACHO 2 HILOS A SONDA PPM
4	4408041541	SENSOR INDUCTIVO DE CAUDAL	15	60645	SENSOR CLORO LIBRE
5	4408041537	FILTRO PORTASONDAS LAVABLE	16	60647	CABEZAL MEMBRANA SENSOR CLORO LIBRE
6	4408041538	PORTASONDAS E/S 1/2"	17	60632	TAMPON PH 4,0 50 ML. (ROJO)
7	4408040159	FLOTADOR DETECTOR DE CAUDAL	18	60618	TAMPON PH 7,0 50 M/L. (VERDE)
8	4408040156	VALVULA CAUDAL + JUNTA TORICA	19	60646	ELECTROLITO ECC1/GEL SONDA CL
9	4408040160	TAPÓN INFERIOR SONDA AMPEROMÉTRICA	20	60648	ELECTRODO COMBINADO PH
10	4408041540	PORTASONDAS PH + CL			

CODIGO **60361**DESCRIPCION: **AP PR-207 PH/CI2 PPM****OBSERVACIONES**

POS	CODIGO	OBSERVACIONES
1	4408040152	PARA: PPM
1	4408040154	PARA: PH

CODE 60361

DESCRIPTION: AP PR-207 PH/CL2 PPM



FRANCAIS

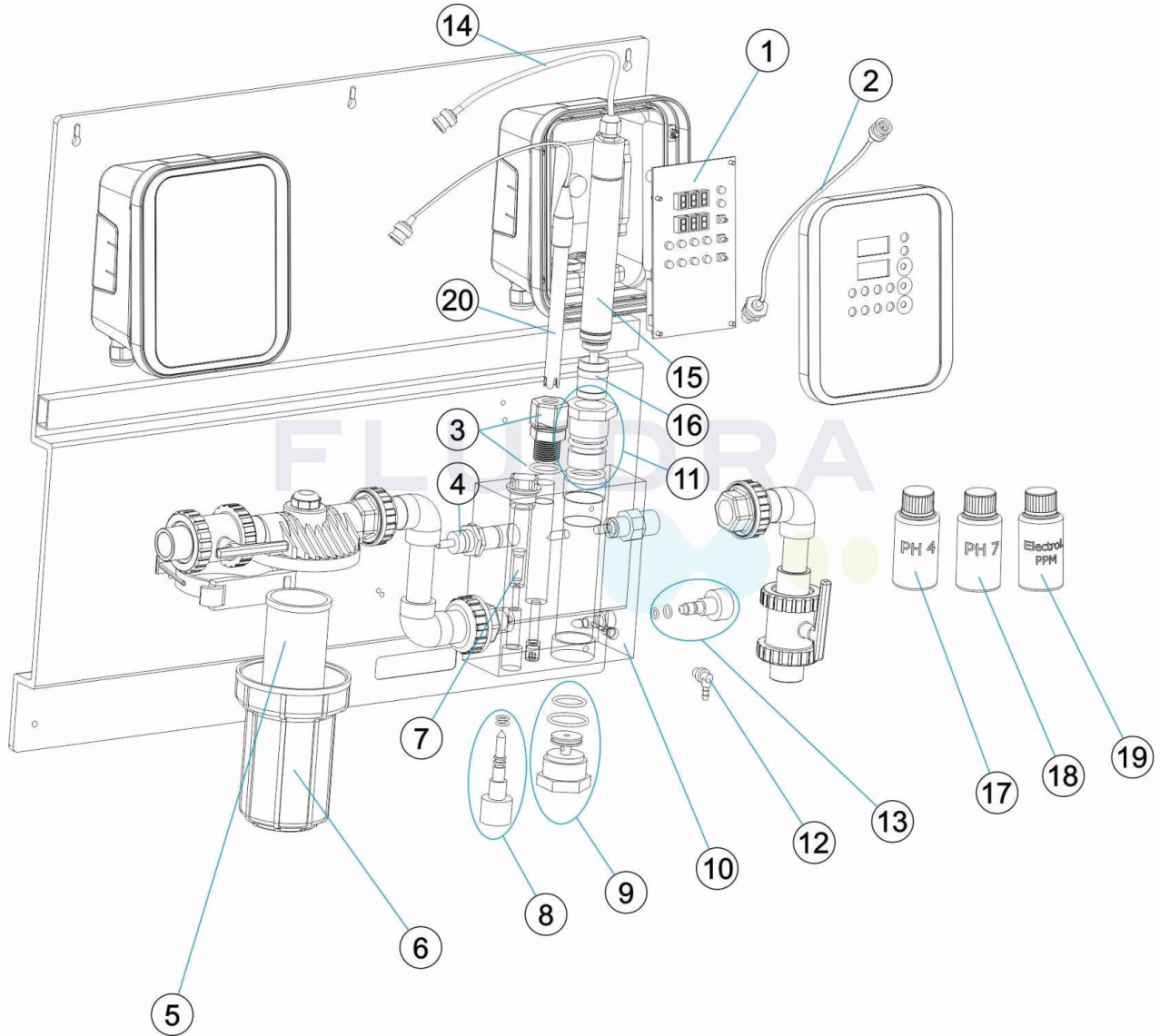
POS	CODE	DESCRIPTION	POS	CODE	DESCRIPTION
1	* 4408040152	PLAQUE CONTRÔLE PPM	11	4408040161	RACCORD + JOINT TORIQUE
1	* 4408040154	PLAQUE CONTRÔLE PH	12	4408040158	SORTIE DRAINAGE PRISE ÉCHANTILLONS
2	4408070069	CONNECTEUR BNC	13	4408040157	VANNE PRISE ÉCHANTILLONS
3	4408040604	PORTE-ÉLECTRODE PE 12M/M. 1/2"	14	4408040216	CABLE BNC MÂLE 2 FILS À SONDE PPM
4	4408041541	SONDE DE DÉBIT INDUCTIVE	15	60645	SONDE DE CHLORE LIBRE
5	4408041537	FILTRE PORTE-SONDES LAVABLE	16	60647	CAPSULE MEMBRANE POUR SONDE CHLORE LIBE
6	4408041538	PORTE-SONDES E/S 1/2"	17	60632	TAMPON PH 4,0 50 ML. (ROUGE)
7	4408040159	FLOTTEUR DÉTECTEUR DÉBIT	18	60618	TAMPON PH 7,0 50 M/L. (VERT)
8	4408040156	VANNE REGULATION DE DEBIT + JOINT TORIQUE	19	60646	ELECTROLYTE
9	4408040160	BOUCHON INF. CAPTEUR AMPÉROMÉTRIQUE	20	60648	ELECTRODE COMBINÉE PH
10	4408041540	PORTE-SONDES PH + CL			

CODE **60361**DESCRIPTION: **AP PR-207 PH/CL2 PPM****OBSERVATIONS**

POS	CODE	OBSERVATIONS
1	4408040152	POUR: PPM
1	4408040154	POUR: PH

CODE **60361**

DESCRIPTION: **AP PR-207 PH/CL2 PPM**



ENGLISH

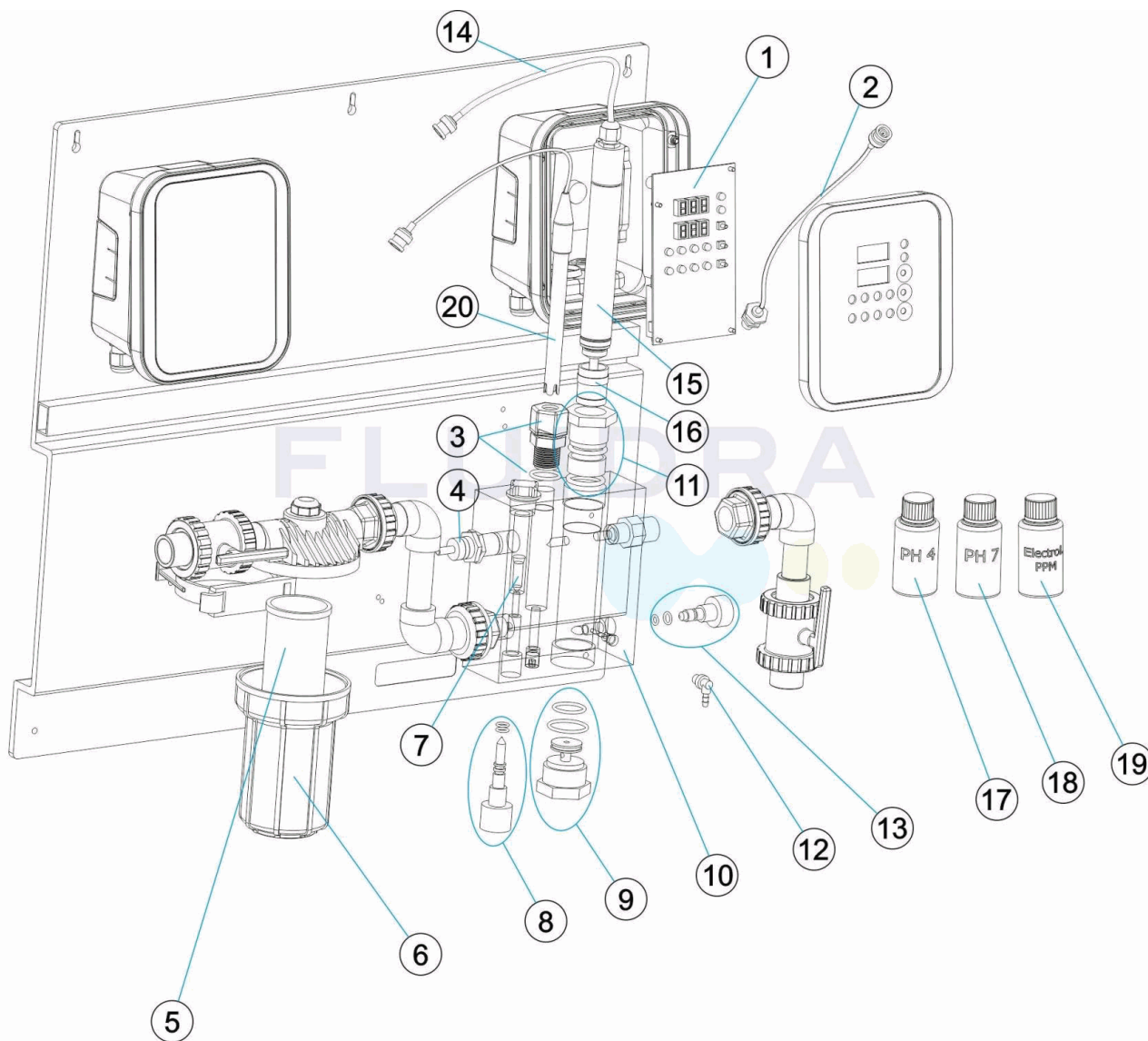
POS	CODE	DESCRIPTION	POS	CODE	DESCRIPTION
1	* 4408040152	ELECTRONIC CARD PPM	11	4408040161	ADAPTOR + O' RING
1	* 4408040154	ELECTRONIC CARD PH	12	4408040158	SAMPLING DRAIN OUTLET
2	4408070069	BCN CONNECTOR	13	4408040157	SAMPLING VALVE
3	4408040604	ELECTRODE CARRIER PE 12M/M.-1/2"	14	4408040216	2 WIRE MALE BNC CABLE TO PPM PROBE
4	4408041541	INDUCTIVE FLOW SENSOR	15	60645	FREE CHLORINE SENSOR
5	4408041537	WASHABLE MAXIM CELL FILTER	16	60647	MEMBRANE CAP FOR FREE CHLORINE SENSOR
6	4408041538	MAXIM CELL E/S ½"	17	60632	CALIBRATION SOLUTION PH 4,0 50 ML. (RED)
7	4408040159	FLOW DETECTOR FLOAT	18	60618	CALIBRATION SOLUTION PH 7,0 50 M/L. (GREEN)
8	4408040156	CONTROL VALVE + O' RING	19	60646	ELECTROLITE
9	4408040160	LOWER CAP AMPEROMETRIC PROBE	20	60648	ELECTRODE PH
10	4408041540	SENSOR HOLDER PH + CL			

CODE **60361**DESCRIPTION: **AP PR-207 PH/CL2 PPM****OBSERVATIONS**

POS	CODE	OBSERVATIONS
1	4408040152	FOR: PPM
1	4408040154	FOR: PH

CODICE 60361

DESCRIZIONE: AP PR-207 PH/CL2 PPM



ITALIANO

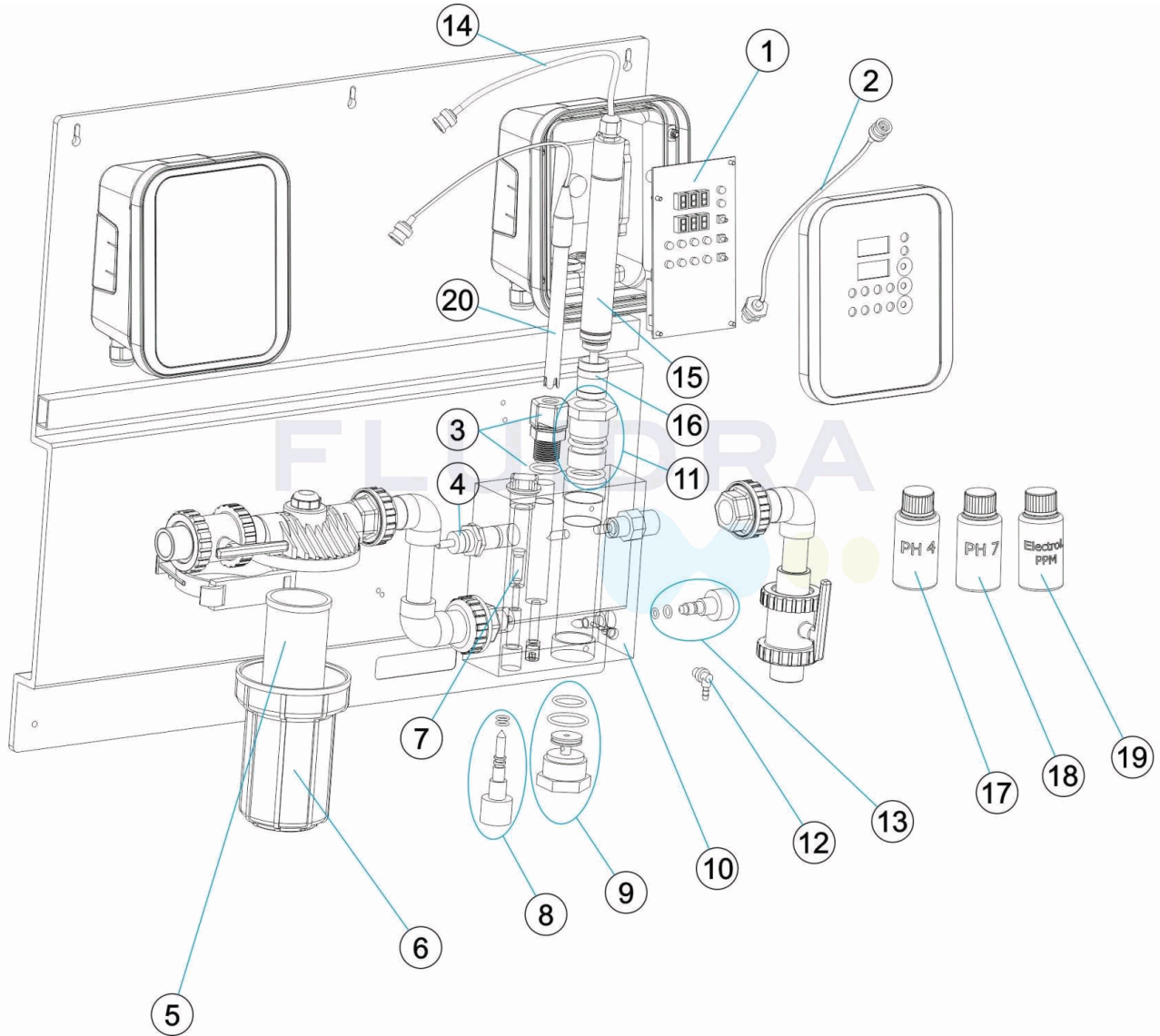
POS	CODICE	DESCRIZIONE	POS	CODICE	DESCRIZIONE
1	* 4408040152	SCHEDA PPM	11	4408040161	RACCORDO + O-RING
1	* 4408040154	SCHEDA PH	12	4408040158	USCITA SCARICO PRELIEVO CAMPIONI
2	4408070069	CONNETTORE BCN	13	4408040157	VALVOLA PRELIEVO CAMPIONI
3	4408040604	PORTAELETTODO PE 12M/M. X 1/2"	14	4408040216	CAVO BNC MASCHIO 2 FILI A SONDA PPM
4	4408041541	SONDA DI FLUSSO INDUTTIVA	15	60645	SONDA DI CLORO LIBERO
5	4408041537	FILTRO PORTA-SONDE LAVABILE	16	60647	TAPPO MEMBRANA PER SONDA CLORO LIBERO
6	4408041538	PORTA-SONDE E/S 1/2"	17	60632	SOLUZIONE TAMPONE PH 4,0 50 ML. (ROSSO)
7	4408040159	GALLEGGIANTE RILEVATORE DI PORTATA	18	60618	SOLUZIONE TAMPONE PH 7,0 50 M/L. (VERDE)
8	4408040156	VALVOLA DI REGOLAZIONE + O-RING	19	60646	ELETTROLITO
9	4408040160	TAPPO INFERIORE SONDA AMPEROMETRICA	20	60648	ELETTRODO COMBINATO PH
10	4408041540	PORTA-SONDE PH + CL			

CODICE **60361**DESCRIZIONE: **AP PR-207 PH/CL2 PPM****OSSERVAZIONI**

POS	CODICE	OSSERVAZIONI
1	4408040152	PER: PPM
1	4408040154	PER: PH

CODE **60361**

BESCHREIBUNG: **AP PR-207 PH/CL2 PPM**



DEUTSCH

POS	CODE	BESCHREIBUNG	POS	CODE	BESCHREIBUNG
1	* 4408040152	PPM-KONTROLLPLATTE	11	4408040161	GEWINDESTÜCK + O-RING
1	* 4408040154	PH-KONTROLLPLATTE	12	4408040158	ABLAUSS PROBEENTNAHME
2	4408070069	STECKKUPPLUNG BCN	13	4408040157	VENTIL PROBEENTNAHME
3	4408040604	ELEKTRODENSITZ PE 12 MM-1/2"	14	4408040216	KABEL BNC NIPPEL 2 FASEN ZU PPM-SONDE
4	4408041541	INDUKTIVER DURCHFLUSSMESSER	15	60645	FREICHLORMESSER
5	4408041537	SONDENHALTERUNG FILTER WASCHBAR	16	60647	KOPFSTÜCK MEMBRAN FREICHLORMESSER
6	4408041538	SONDENHALTERUNG E/S 1/2"	17	60632	PUFFER PH 4,0 50 ML (ROT)
7	4408040159	SCHWIMMER DURCHFLUSSANZEIGE	18	60618	PUFFER PH 7,0 50 ML (GRÜN)
8	4408040156	DURCHFLUSSVENTIL + O-RING	19	60646	ELEKTROLYT ECC1/GEL SONDE CL
9	4408040160	STOPFEN UNTEN AMPEREMETRISCHE SONDE	20	60648	ELEKTRODE KOMBINIERT PH
10	4408041540	SONDENHALTERUNG PH + CL			

CODE **60361**

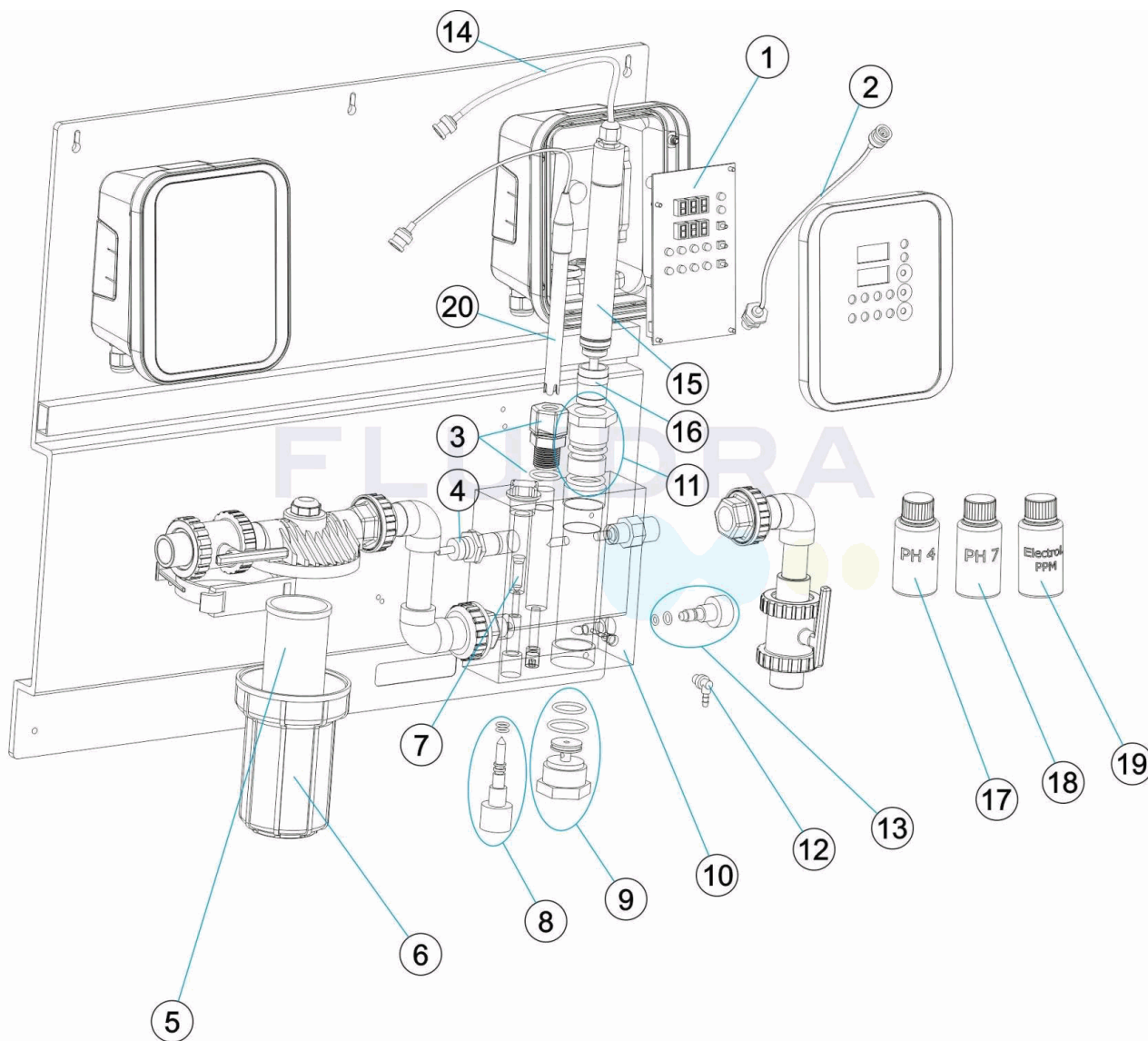
BESCHREIBUNG: **AP PR-207 PH/CL2 PPM**

HINWEISE

POS	CODE	HINWEISE
1	4408040152	FÜR: PPM
1	4408040154	FÜR: PH

CODIGO **60361**

DESCRIÇÃO: **AP PR-207 PH/CL2 PPM**



PORTUGUES

POS	CODIGO	DESCRIÇÃO	POS	CODIGO	DESCRIÇÃO
1	* 4408040152	PLACA CONTROLO PPM	11	4408040161	RACORD + JUNTA TÓRICA
1	* 4408040154	PLACA CONTROLO PH	12	4408040158	SAÍDA DESCARGA RECOLHA AMOSTRAS
2	4408070069	LIGAÇÃO BCN	13	4408040157	VÁLVULA RECOLHA AMOSTRAS
3	4408040604	PORTAELECTRODOS PE 12M/M-1/2"	14	4408040216	CABO BNC MACHO 2 FIOS A SONDA PPM
4	4408041541	SONDA DE CAUDAL INDUTIVA	15	60645	SONDA DE CLORO LIVRE
5	4408041537	FILTRO PORTA-SONDAS LAVÁVEL	16	60647	CÁPSULA MEMBRANA PARA SONDA CLORO LIVRE
6	4408041538	PORTA-SONDAS E/S 1/2"	17	60632	SOLUÇÃO TAMPÃO PH 4,0 50 ML. (VERMELHO)
7	4408040159	BOIA DETETOR DE CAUDAL	18	60618	SOLUÇÃO TAMPÃO PH 7,0 50 ML. (VERDE)
8	4408040156	VÁLVULA CAUDAL + JUNTA TÓRICA	19	60646	ELECTROLITO
9	4408040160	TAMPA INFERIOR SONDA AMPEROMÉTRICA	20	60648	ELECTRODO COMBINADO PH
10	4408041540	PORTA-SONDAS PH + CL			

CODIGO **60361**DESCRIÇÃO: **AP PR-207 PH/CL2 PPM****OBSERVAÇÕES**

POS	CODIGO	OBSERVAÇÕES
1	4408040152	PARA: PPM
1	4408040154	PARA: PH