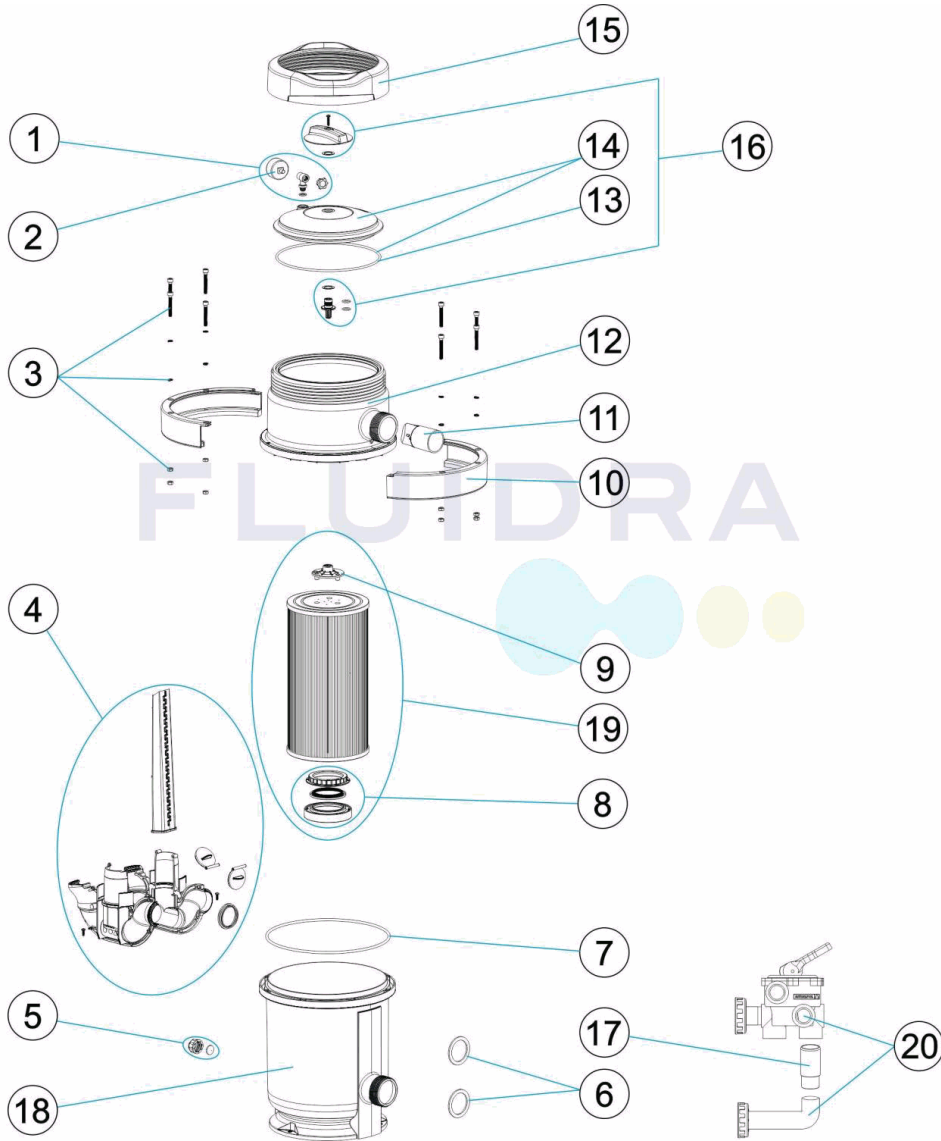


CODIGO **64837, 64838, 64839**

DESCRIPCION: **FILTRO NANOFIBER 150/180/200**



ESPAÑOL

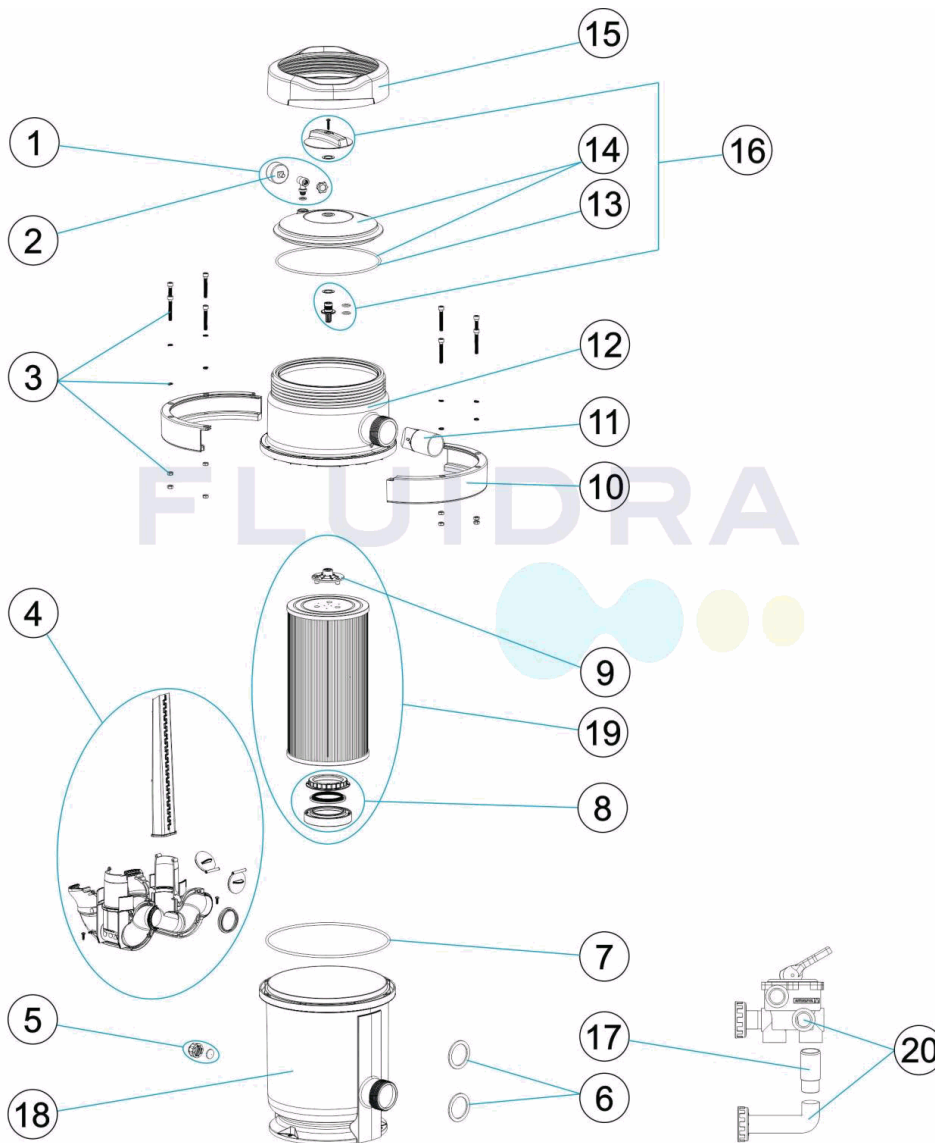
POS	CODIGO	DESCRIPCION	POS	CODIGO	DESCRIPCION
1	4404080104	MANOMETRO COMPLETO	12	4404130003	CUERPO SUPERIOR
2	4404010103	MANOMETRO 1/8" 3 KG./C "	13	4404130002	JUNTA TAPA
3	4404130005	TORNILLERIA FIJACION ANILLO	14	4404130001	TAPA SUPERIOR + JUNTA
4	4404130006	CJTO. DUCHA	15	4404130007	TUERCA TAPA
5	4404040012	VALVULA DE SEGURIDAD	16	4404130004	VOLANTE NANOFIBER
6	4404180408	JUNTA PLANA 55X72X3,5	17	4404130012	MANGUITO ADAPTADOR
7	4404130008	JUNTA CUERPO	18	64837R0001	CUERPO INFERIOR
8	4404130010	CEPILLO	19	* 65383	CARTUCHO FILTRO 150
9	4404130009	EJE CARTUCHO	19	* 65384	CARTUCHO FILTRO 180
10	4404130011	ANILLO CENTRAL	19	* 65385	CARTUCHO FILTRO 200
11	4404130013	ENTRADA AGUA	20	07444	VALVULA SELECTORA CON ENLACES 2"

CODIGO **64837, 64838, 64839**DESCRIPCION: **FILTRO NANOFIBER 150/180/200****OBSERVACIONES**

POS	CODIGO	OBSERVACIONES
19	65383	PARA: 64837
19	65384	PARA: 64838
19	65385	PARA: 64839

CODE **64837, 64838, 64839**

DESCRIPTION: **FILTRE NANOFIBER 150/180/200**



FRANCAIS

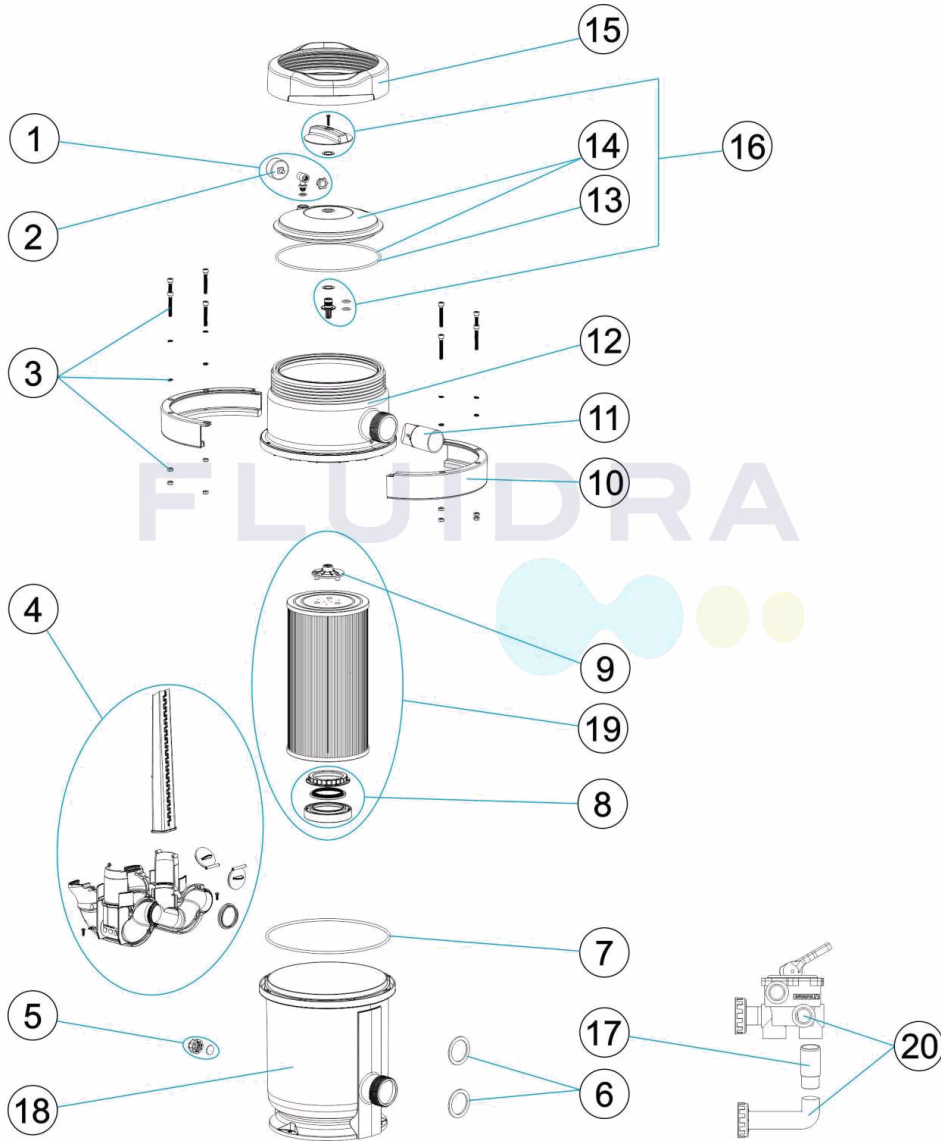
POS	CODE	DESCRIPTION	POS	CODE	DESCRIPTION
1	4404080104	MANOMETRE COMPLET	12	4404130003	CORPS SUPERIEUR
2	4404010103	MANOMETRE 1/8" 3 KG./C "	13	4404130002	JOINT DE COUVERCLE
3	4404130005	VIS DE FIXATION BAGUE	14	4404130001	COUVERCLE SUPÉRIEUR + JOINT
4	4404130006	ENSEMBLE DOUCHE	15	4404130007	ECROU DE COUVERCLE
5	4404040012	VANNE DE SÉCURITÉ	16	4404130004	VOLANT NANOFIBER
6	4404180408	JOINT PLAT 55X72X3,5	17	4404130012	MANCHON ADAPTATEUR
7	4404130008	JOINT CORPS	18	64837R0001	CORPS INFERIEUR
8	4404130010	BROSSE	19	* 65383	CARTOUCHE DE FILTRE 150
9	4404130009	AXE CARTOUCHE	19	* 65384	CARTOUCHE DE FILTRE 180
10	4404130011	BAGUE CENTRAL	19	* 65385	CARTOUCHE DE FILTRE 200
11	4404130013	ENTREE D'EAU	20	07444	SÉLECTEUR AVEC LIENS 2"

CODE **64837, 64838, 64839**DESCRIPTION: **FILTRE NANOFIBER 150/180/200****OBSERVATIONS**

POS	CODE	OBSERVATIONS
19	65383	POUR: 64837
19	65384	POUR: 64838
19	65385	POUR: 64839

CODE **64837, 64838, 64839**

DESCRIPTION: **NANOFIBER FILTER 150/180/200**



ENGLISH

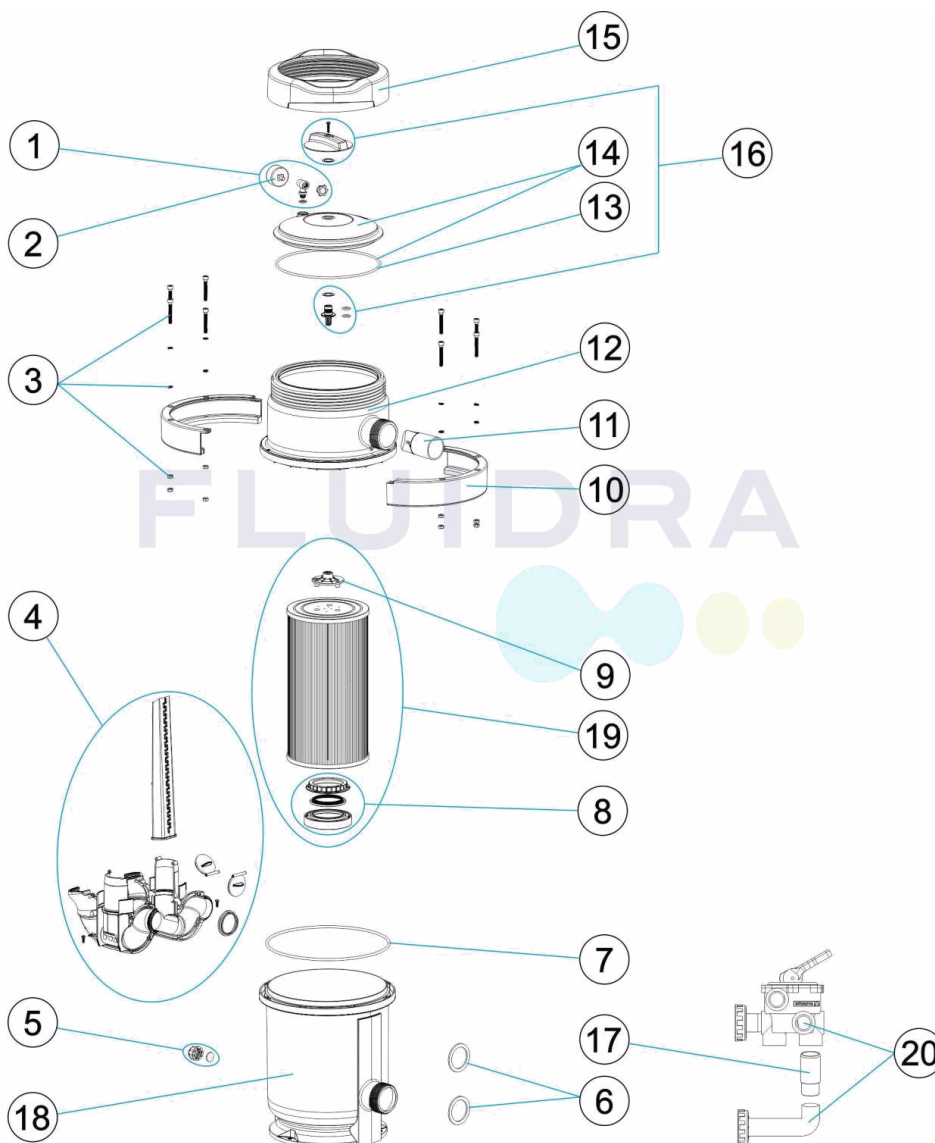
POS	CODE	DESCRIPTION	POS	CODE	DESCRIPTION
1	4404080104	COMPLETE PRESSURE GAUGE UNIT	12	4404130003	UPPER BODY
2	4404010103	PRESSURE GAUGE 1/8" 3 KG./C "	13	4404130002	LID GASKET
3	4404130005	RING BOLT SET	14	4404130001	TOP COVER + GASKET
4	4404130006	SHOWER SET	15	4404130007	THREADED LID COLLAR
5	4404040012	SAFETY VALVE	16	4404130004	NANOFIBER HAND WHEEL
6	4404180408	FLAT GASKET 55X72X3,5	17	4404130012	HOSE SLEEVE ADAPTER
7	4404130008	BODY GASKET	18	64837R0001	LOWER BODY
8	4404130010	BRUSH	19	* 65383	CARTRIDGE FILTER 150
9	4404130009	SHAFT CARTRIDGE	19	* 65384	CARTRIDGE FILTER 180
10	4404130011	CENTRAL RING	19	* 65385	CARTRIDGE FILTER 200
11	4404130013	WATER INLET	20	07444	SELECTOR VALVE WITH LINKS 2"

CODE **64837, 64838, 64839**DESCRIPTION: **NANOFIBER FILTER 150/180/200****OBSERVATIONS**

POS	CODE	OBSERVATIONS
19	65383	FOR: 64837
19	65384	FOR: 64838
19	65385	FOR: 64839

CODICE 64837, 64838, 64839

DESCRIZIONE: FILTRO NANOFIBER 150/180/200



ITALIANO

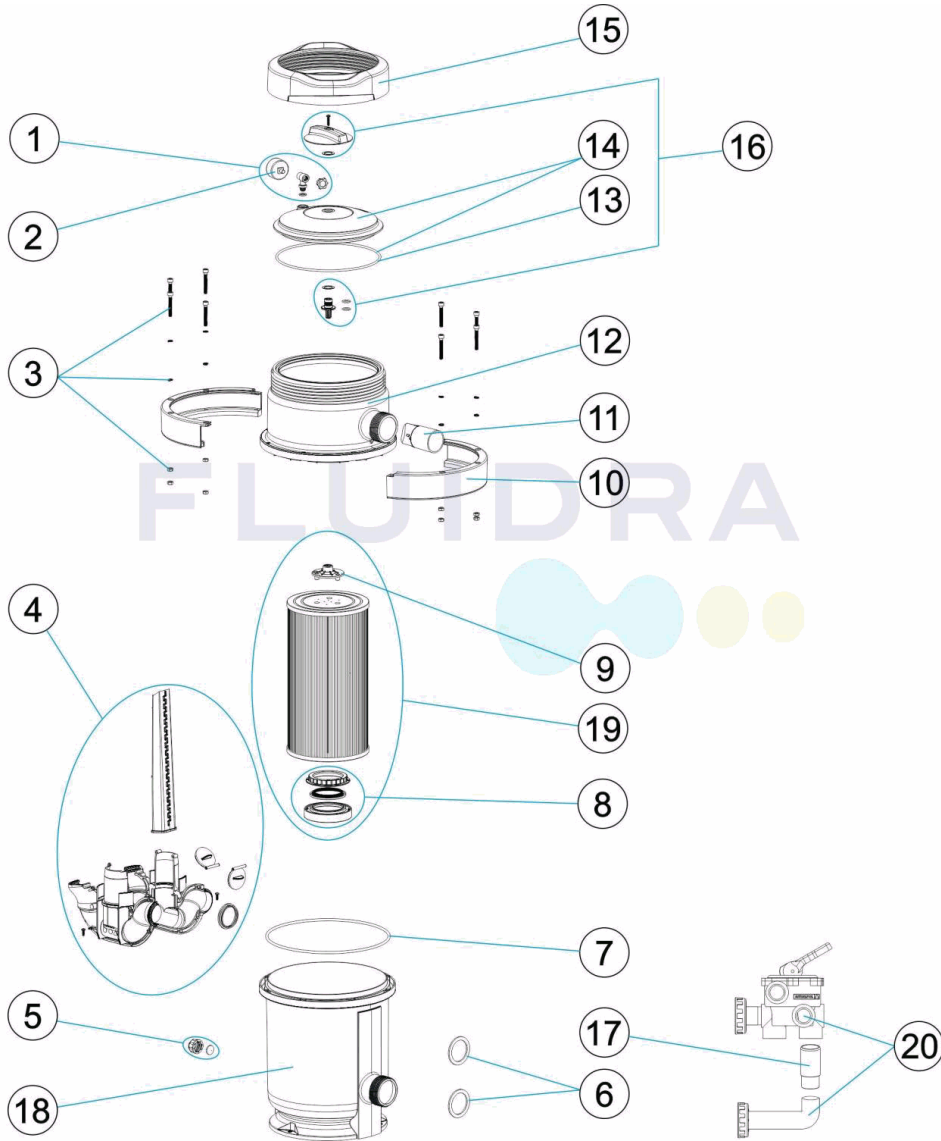
POS	CODICE	DESCRIZIONE	POS	CODICE	DESCRIZIONE
1	4404080104	MANOMETRO COMPLETO	12	4404130003	CORPO SUPERIORE
2	4404010103	MANOMETRO 1/8" 3 KG./C "	13	4404130002	GUARNIZIONE COPERCHIO
3	4404130005	BULLONERIA ANELLO	14	4404130001	COPERCHIO SUPERIORE + GUARNIZIONE
4	4404130006	CONGIUNTO DOCCIA	15	4404130007	GHIERA COPERCHIO
5	4404040012	VALVOLA DI SICUREZZA	16	4404130004	VOLANTE NANOFIBER
6	4404180408	GUERNIZIONE PIANA 55X72X3,5	17	4404130012	MANICOTTO ADATTATORE
7	4404130008	GUARNIZIONE CORPO	18	64837R0001	CORPO INFERIORE
8	4404130010	SPAZZOLE	19	* 65383	CARTUCCIA RICAMBIO PER FILTRO 150
9	4404130009	ASSE CARTUCCIA	19	* 65384	CARTUCCIA RICAMBIO PER FILTRO 180
10	4404130011	ANELLO CENTRALE	19	* 65385	CARTUCCIA RICAMBIO PER FILTRO 200
11	4404130013	ENTRATA ACQUA	20	07444	VALVOLA SELETTTRICE CON COLLEGAMENTI 2"

CODICE **64837, 64838, 64839**DESCRIZIONE: **FILTRO NANOFIBER 150/180/200****OSSERVAZIONI**

POS	CODICE	OSSERVAZIONI
19	65383	PER: 64837
19	65384	PER: 64838
19	65385	PER: 64839

CODE **64837, 64838, 64839**

BESCHREIBUNG: **FILTER NANOFIBER 150/180/200**



DEUTSCH

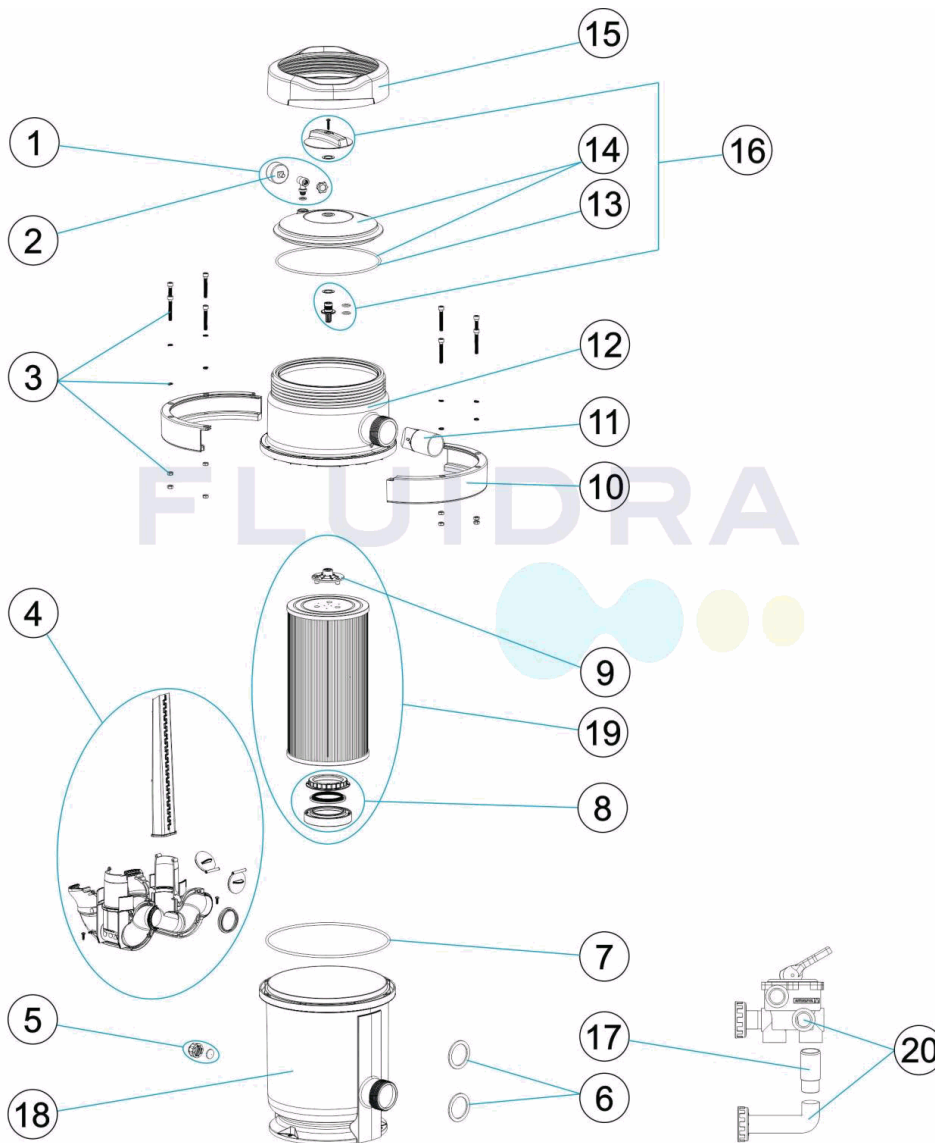
POS	CODE	BESCHREIBUNG	POS	CODE	BESCHREIBUNG
1	4404080104	MANOMETER KOMPLETT	12	4404130003	OBERES GEHÄUSE
2	4404010103	MANOMETER 1/8" 3 KG/C "	13	4404130002	DICHTUNG ABDECKUNG
3	4404130005	FIXIERSCHRAUBEN RING	14	4404130001	ABDECKUNG OBEN + DICHTUNG
4	4404130006	SET DUSCH	15	4404130007	MUTTER ABDECKUNG
5	4404040012	SICHERHEITSVENTIL	16	4404130004	DREHRAD NANOFIBER
6	4404180408	FLACHDICHTUNG 55 X 72 X 3,5	17	4404130012	NIPPELADAPTER
7	4404130008	DICHTUNG GEHÄUSE	18	64837R0001	UNTERES GEHÄUSE
8	4404130010	BÜRSTE	19	* 65383	FILTERKARTUSCHE 150
9	4404130009	ACHSE KARTUSCHE	19	* 65384	FILTERKARTUSCHE 180
10	4404130011	RING MITTLERES	19	* 65385	FILTERKARTUSCHE 200
11	4404130013	WASSEREINGANG	20	07444	MEHRWEGVENTIL MIT ANSCHLÜSSEN 2"

CODE **64837, 64838, 64839**BESCHREIBUNG: **FILTER NANOFIBER 150/180/200****HINWEISE**

POS	CODE	HINWEISE
19	65383	FÜR: 64837
19	65384	FÜR: 64838
19	65385	FÜR: 64839

CODIGO **64837, 64838, 64839**

DESCRIÇÃO: **FILTRO NANOFIBER 150/180/200**



PORTUGUES

POS	CODIGO	DESCRIÇÃO	POS	CODIGO	DESCRIÇÃO
1	4404080104	MANÔMETRO COMPLETO	12	4404130003	CORPO SUPERIOR
2	4404010103	MANOMETRO 1/8" 3 KG./C "	13	4404130002	JUNTA TAMPA
3	4404130005	CONJ. PARAFUSOS ANEL	14	4404130001	TAMPA SUPERIOR + JUNTA
4	4404130006	CJTO. DUCHE	15	4404130007	PORCA TAMPA
5	4404040012	VÁLVULA DE SEGURANÇA	16	4404130004	VOLANTE NANOFIBER
6	4404180408	JUNTA PLANA 55X72X3,5	17	4404130012	UNIÃO ADAPTADOR
7	4404130008	JUNTA CORPO	18	64837R0001	CORPO INFERIOR
8	4404130010	ESCOVA	19	* 65383	CARTUCHO FILTRO 150
9	4404130009	EIXO CARTUCHO	19	* 65384	CARTUCHO FILTRO 180
10	4404130011	ANEL CENTRAL	19	* 65385	CARTUCHO FILTRO 200
11	4404130013	ENTRADA ÁGUA	20	07444	VÁLVULA SELECTORA COM LIGAÇÕES 2"

CODIGO **64837, 64838, 64839**DESCRIÇÃO: **FILTRO NANOFIBER 150/180/200****OBSERVAÇÕES**

POS	CODIGO	OBSERVAÇÕES
19	65383	PARA: 64837
19	65384	PARA: 64838
19	65385	PARA: 64839