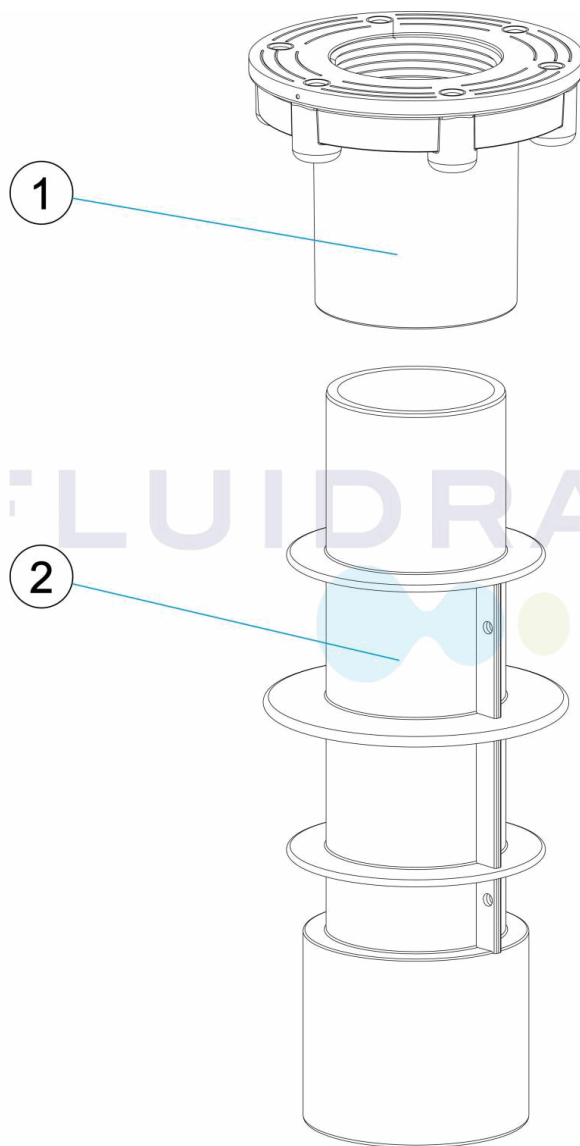


CODIGO **49832**

DESCRIPCION: **CJTO. PASAMUROS**

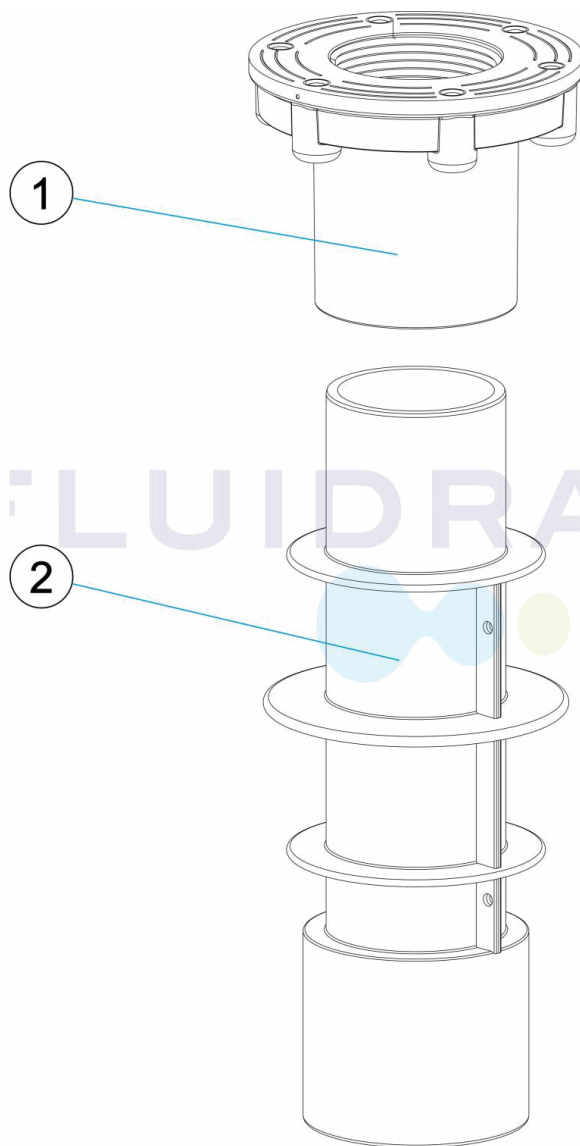


ESPAÑOL

POS	CODIGO	DESCRIPCION	POS	CODIGO	DESCRIPCION
1	4402040043	BASE BOQUILLA	2	4402040042	CUERPO BOQUILLA

CODE **49832**

DESCRIPTION: **ENSEMBLE TRAVERSÉE DE PAROIS**

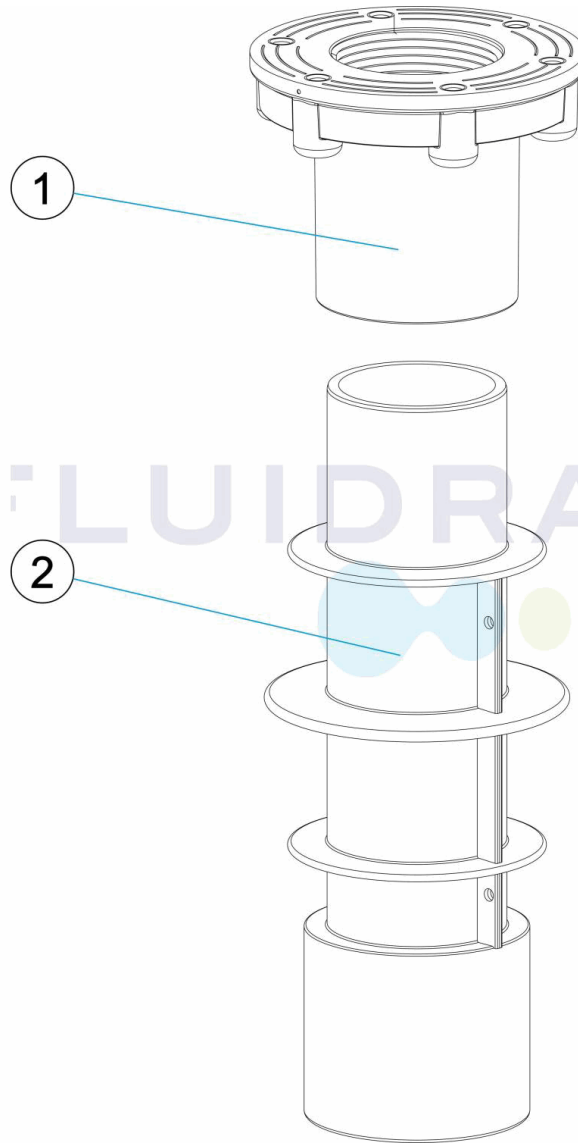


FRANCAIS

POS	CODE	DESCRIPTION	POS	CODE	DESCRIPTION
1	4402040043	BASE BUSE	2	4402040042	CORPS DE BOUCHE

CODE **49832**

DESCRIPTION: **WALL CONDUIT ASSEMBLY**

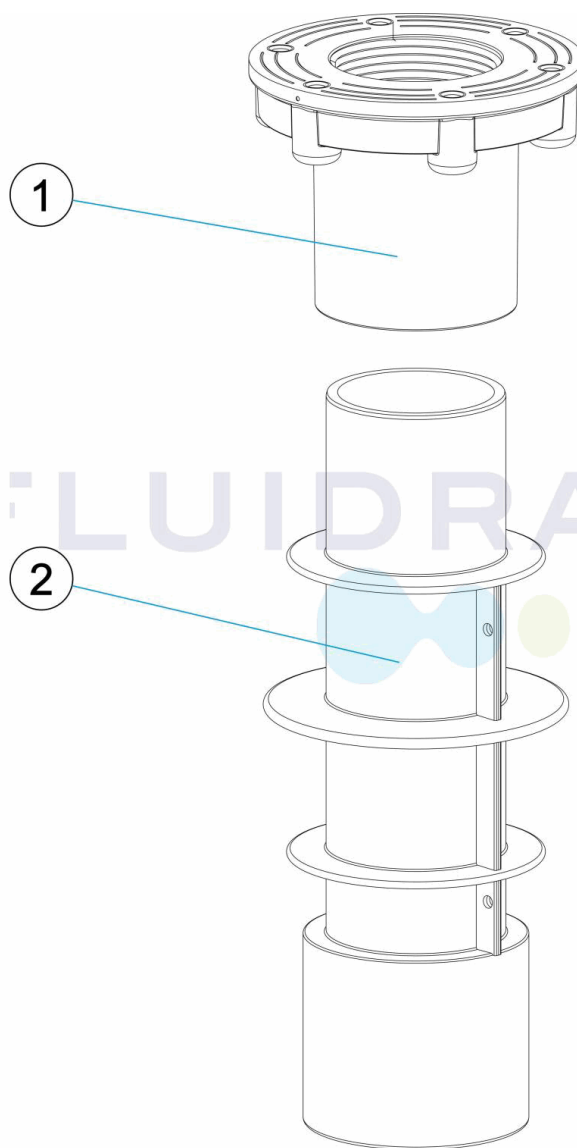


ENGLISH

POS	CODE	DESCRIPTION	POS	CODE	DESCRIPTION
1	4402040043	RETURN INLET BASE	2	4402040042	INLET BODY

CODICE **49832**

DESCRIZIONE: **KIT PASSANTI A MURO**

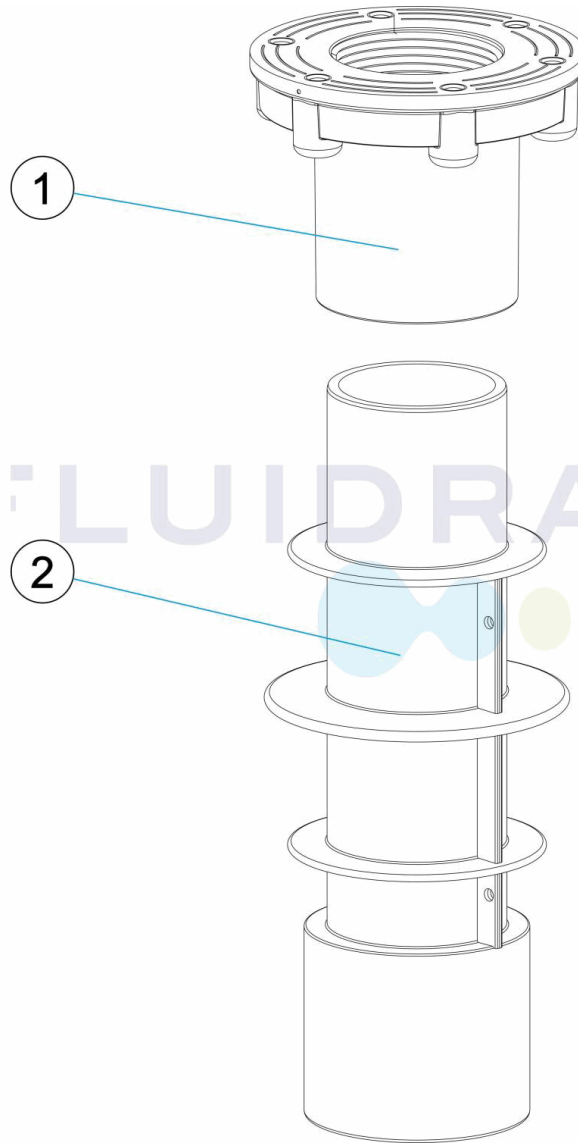


ITALIANO

POS	CODICE	DESCRIZIONE	POS	CODICE	DESCRIZIONE
1	4402040043	BASE BOCCHETTA	2	4402040042	CORPO BOCCHETTA

CODE **49832**

BESCHREIBUNG: **SET WANDDURCHFÜHRUNG**

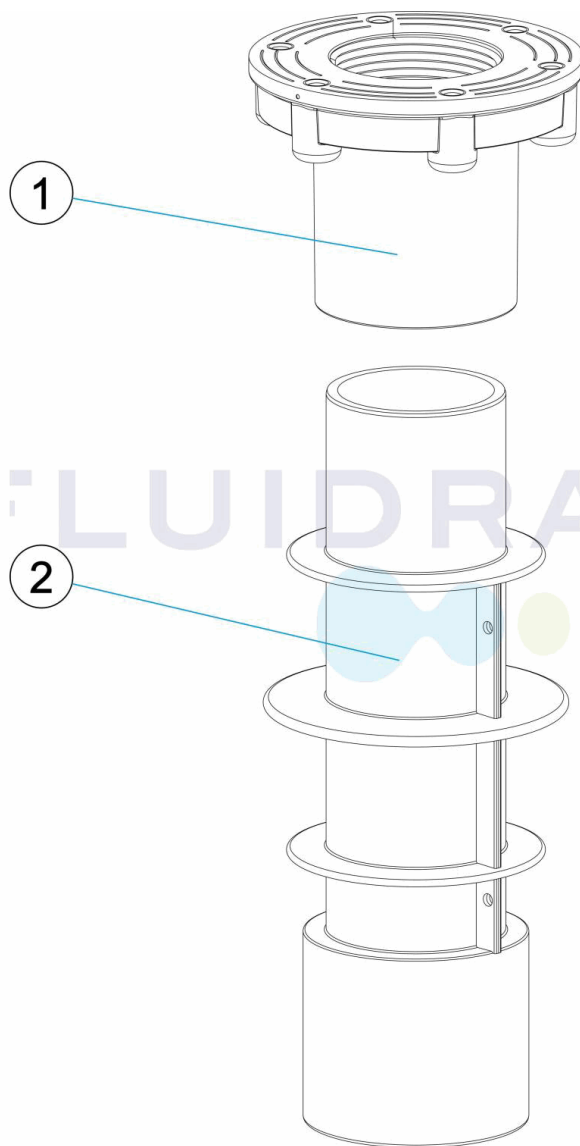


DEUTSCH

POS	CODE	BESCHREIBUNG	POS	CODE	BESCHREIBUNG
1	4402040043	DÜSENBASIS	2	4402040042	GEHÄUSE DÜSE

CODIGO **49832**

DESCRIÇÃO: **CONJ. PASSAMUROS**



PORTUGUES

POS	CODIGO	DESCRIÇÃO	POS	CODIGO	DESCRIÇÃO
1	4402040043	BASE BOQUILHA	2	4402040042	CORPO BOCA