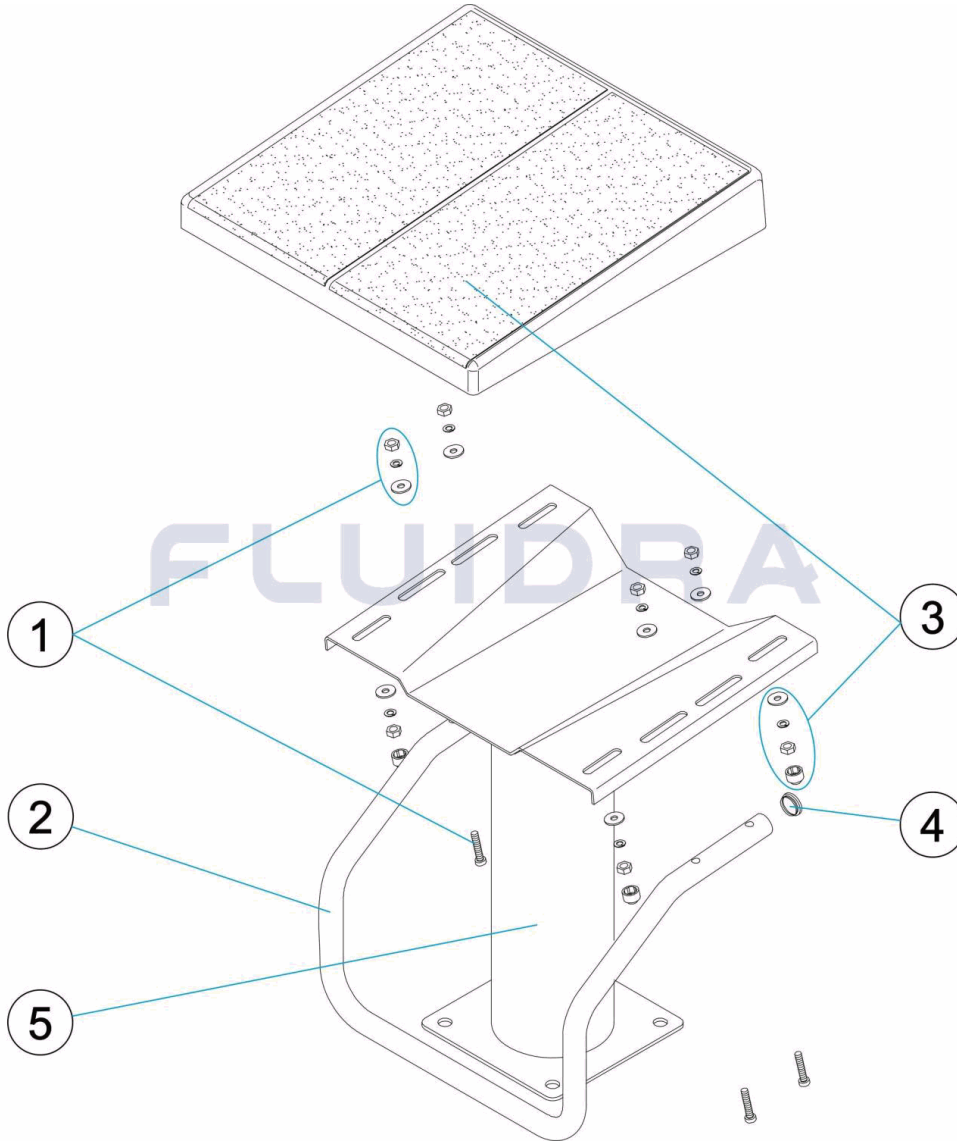


CODIGO **27578**

DESCRIPCION: **PODIUM SALIDA NADADORES**

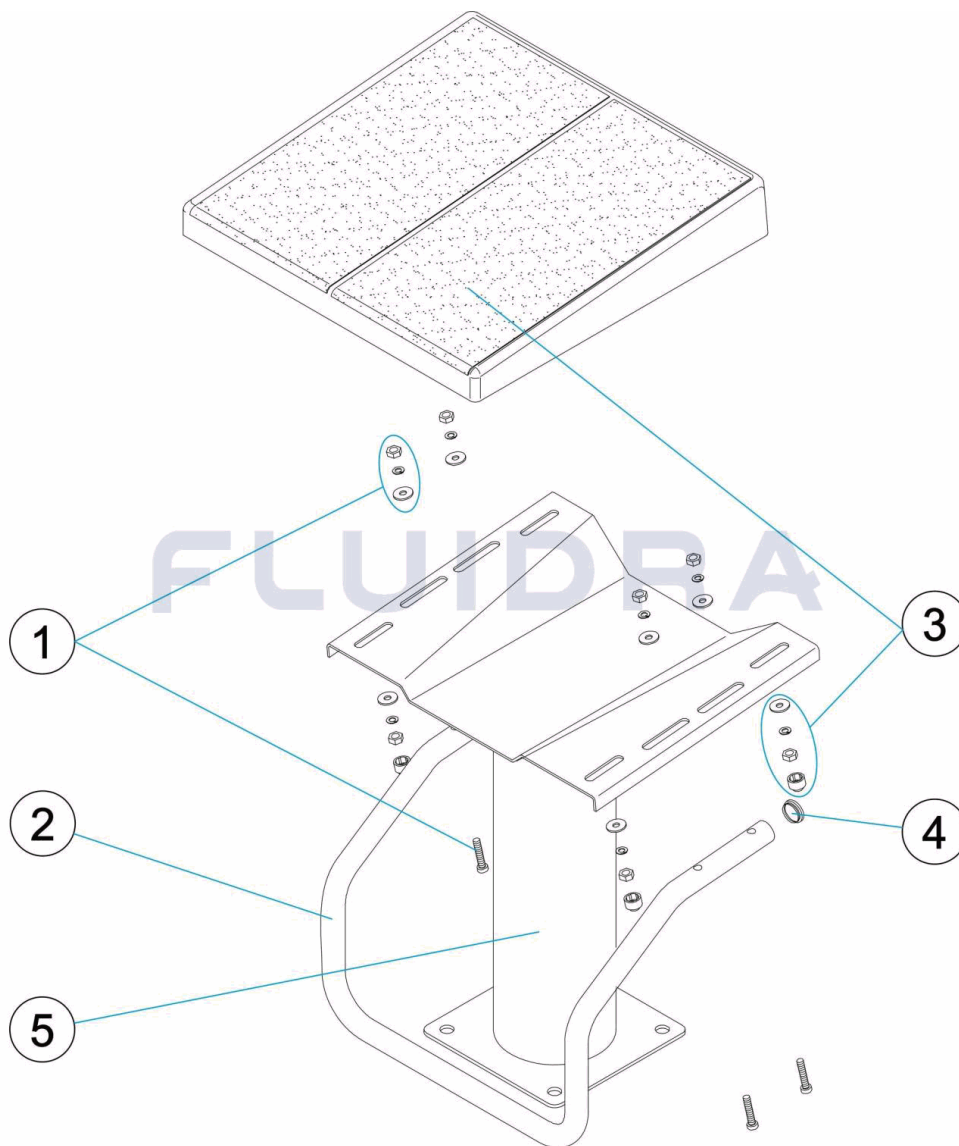


**ESPAÑOL**

POS	CODIGO	DESCRIPCION	POS	CODIGO	DESCRIPCION
1	4401060010	TORNILLERIA AGARRADERA	4	4401060113	TAPON AGARRADERAS
2	4401060111	AGARRADERA PODIUM AISI-316	5	27578R0100	CUERPO PODIUM DE COLUMNA D.12
3	4401060302	PLATAFORMA PODIUM			

CODE **27578**

DESCRIPTION: **PLOT DÉPART NAGEURS**

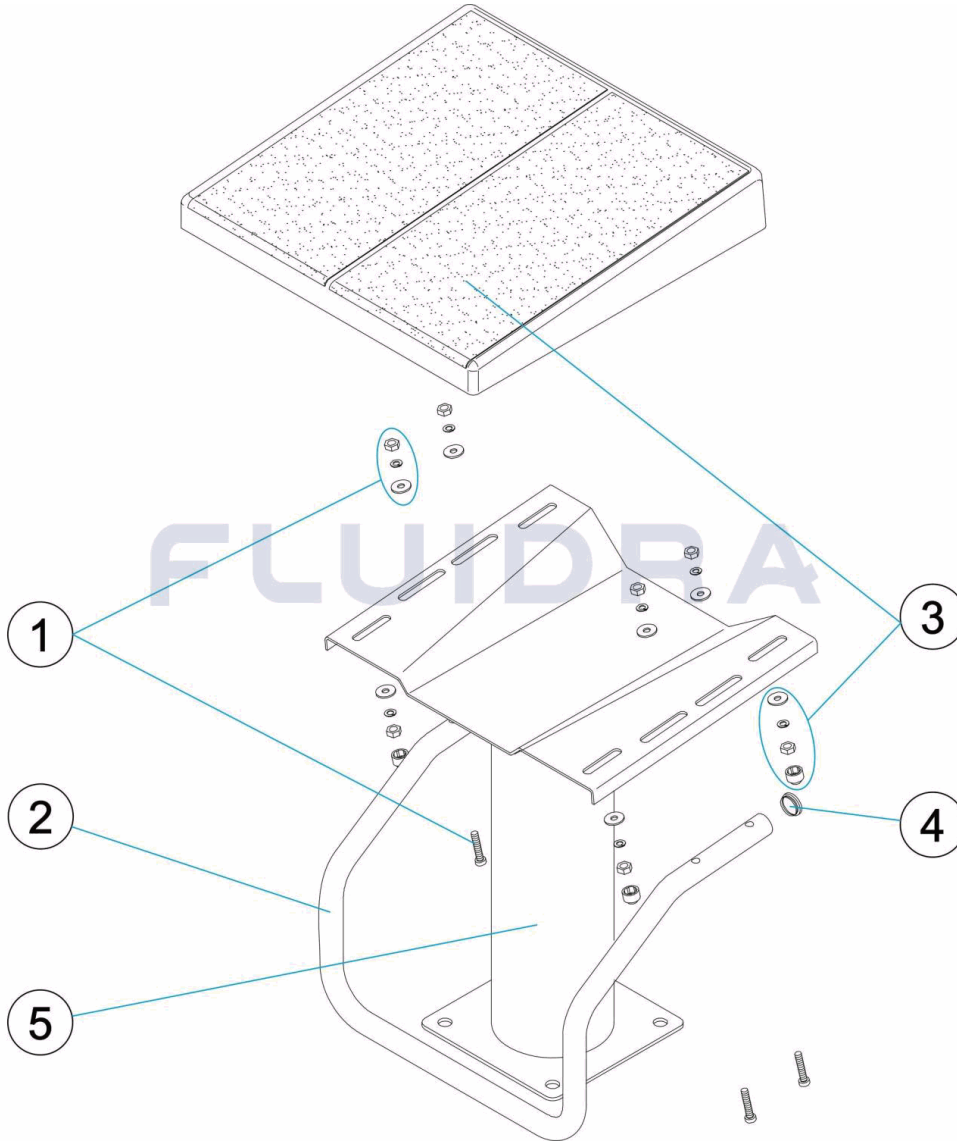


**FRANCAIS**

POS	CODE	DESCRIPTION	POS	CODE	DESCRIPTION
1	4401060010	VIS MAIN COURANTE	4	4401060113	BOUCHON POUR MAIN COURANTE
2	4401060111	RAMPE PLOT DE DÉPART AISI-316	5	27578R0100	
3	4401060302	PLATE-FORME			

CODE **27578**

DESCRIPTION: **STARTING BLOCKS**

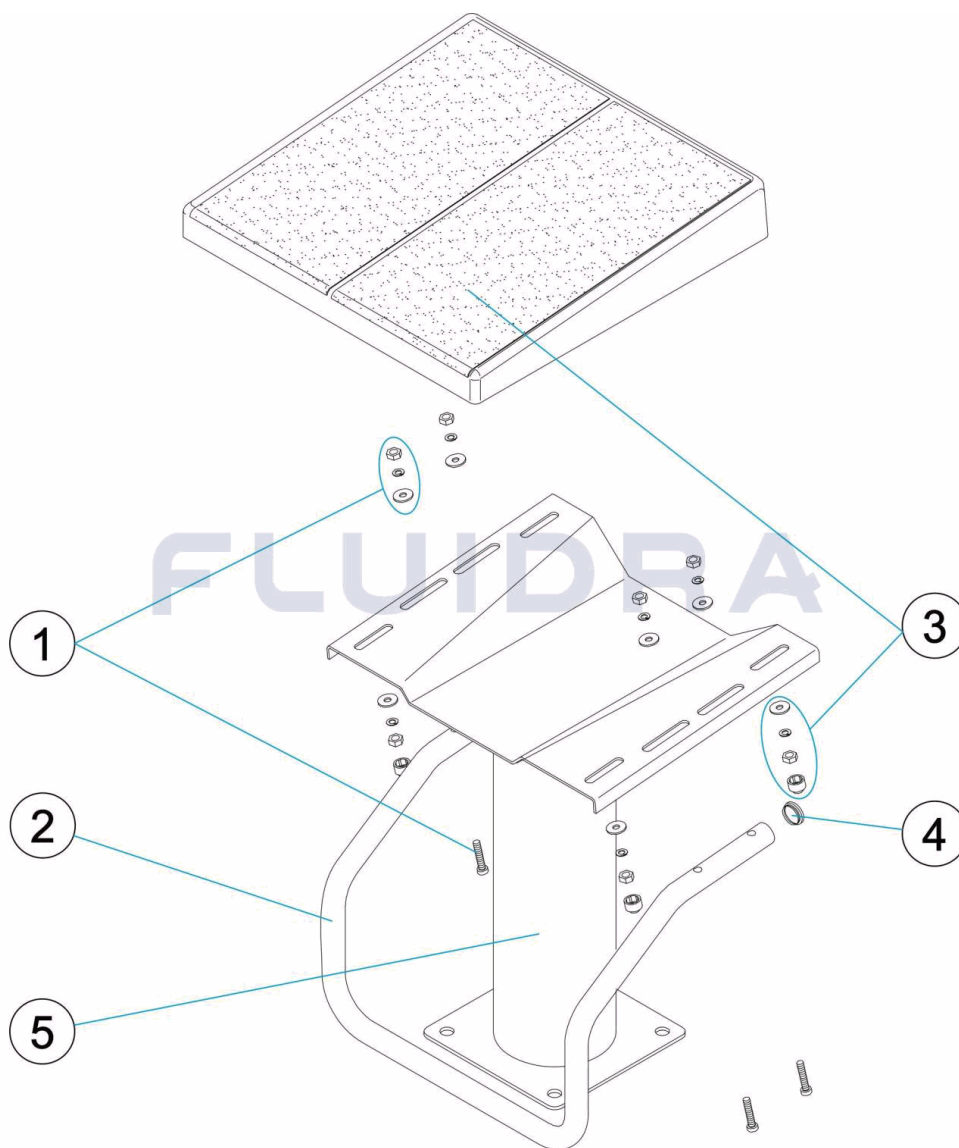


**ENGLISH**

POS	CODE	DESCRIPTION	POS	CODE	DESCRIPTION
1	4401060010	SCREW KIT FOR GRABPULL	4	4401060113	GRABRAIL CAP
2	4401060111	GRABRAIL FOR PODIUM AISI-316	5	27578R0100	
3	4401060302	BLOCK PLATFORM			

CODICE **27578**

DESCRIZIONE: **PODIO USCITA NUOTATORI**

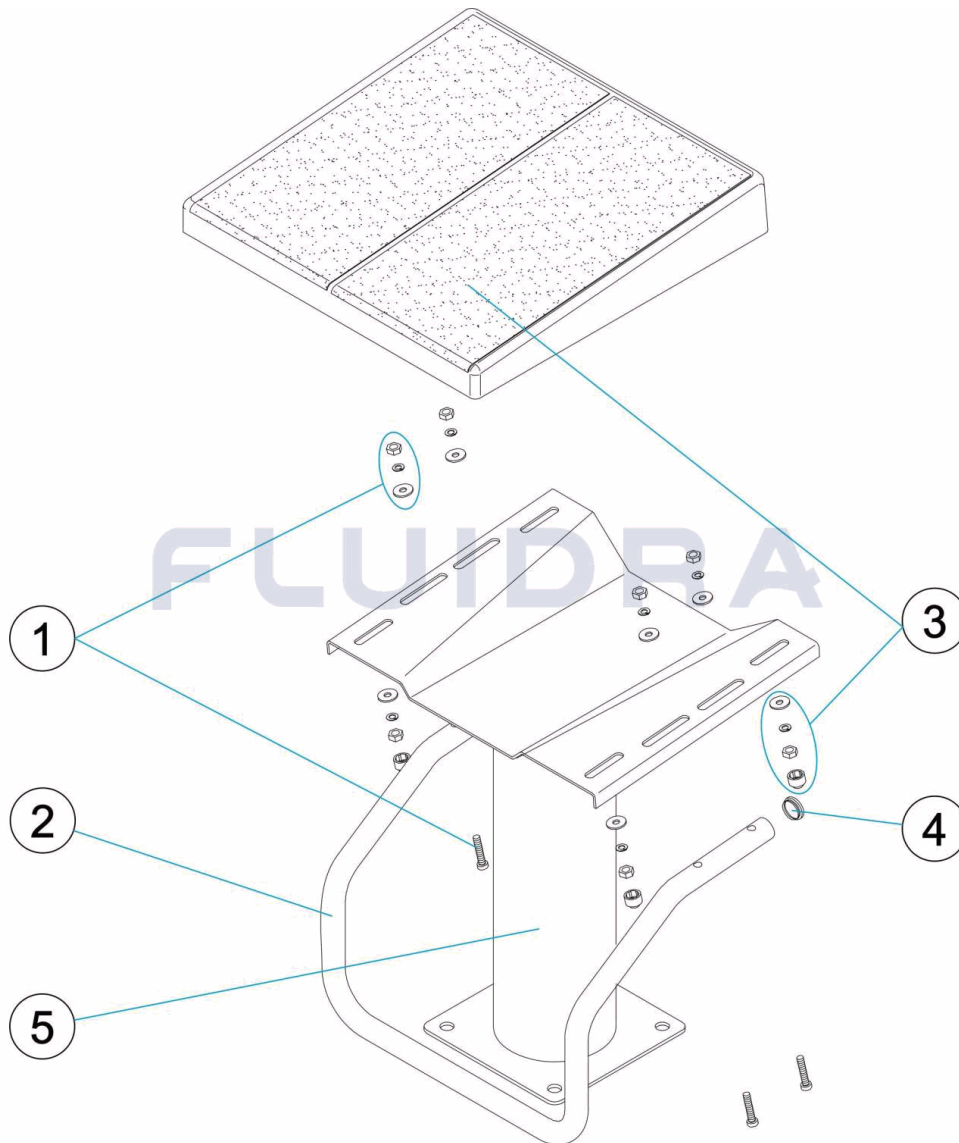


**ITALIANO**

POS	CODICE	DESCRIZIONE	POS	CODICE	DESCRIZIONE
1	4401060010	KIT VITI CORRIMANO	4	4401060113	TAPPO CORRIMANO
2	4401060111	CORRIMANO BLOCCO PARTENZA AISI-316	5	27578R0100	
3	4401060302	PIATTAFORMA			

CODE **27578**

BESCHREIBUNG: **STARTBOCK**

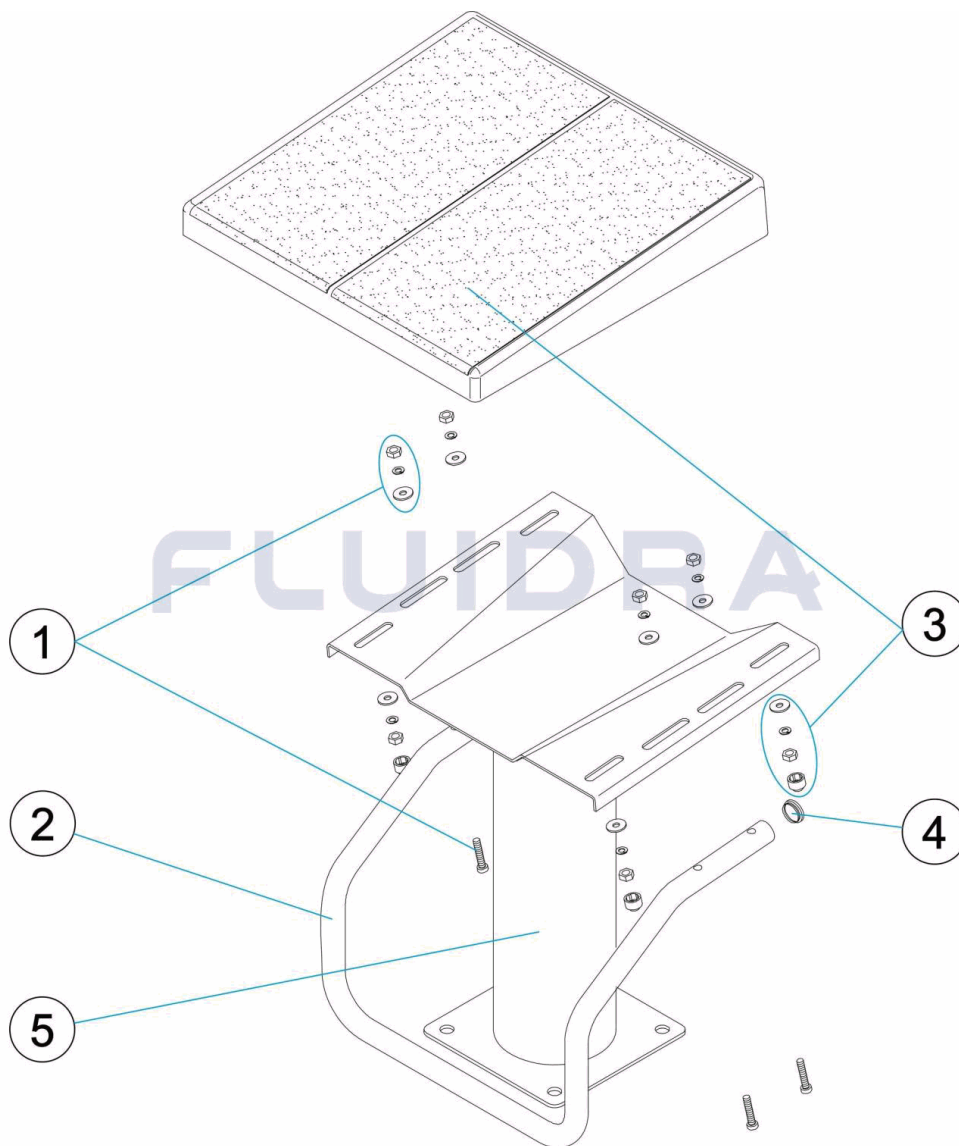


**DEUTSCH**

POS	CODE	BESCHREIBUNG	POS	CODE	BESCHREIBUNG
1	4401060010	SCHRAUBENSATZ HALTEGRIFF	4	4401060113	STOPFEN HALTEGRIFFE
2	4401060111	HALTEGRIFF STARTBLOCK AISI - 316	5	27578R0100	
3	4401060302	PLATTFORM STARTBOCK			

CODIGO **27578**

DESCRIÇÃO: **PÓDIO SAÍDA NADADORES**



**PORTUGUES**

POS	CODIGO	DESCRIÇÃO	POS	CODIGO	DESCRIÇÃO
1	4401060010	CONJ. PARAFUSOS AGARRADEIRA	4	4401060113	TAMPAO DA AGARRADEIRA
2	4401060111	AGARRADEIRA PODIUM AISI-316	5	27578R0100	
3	4401060302	PLATAFORMA PODIUM			