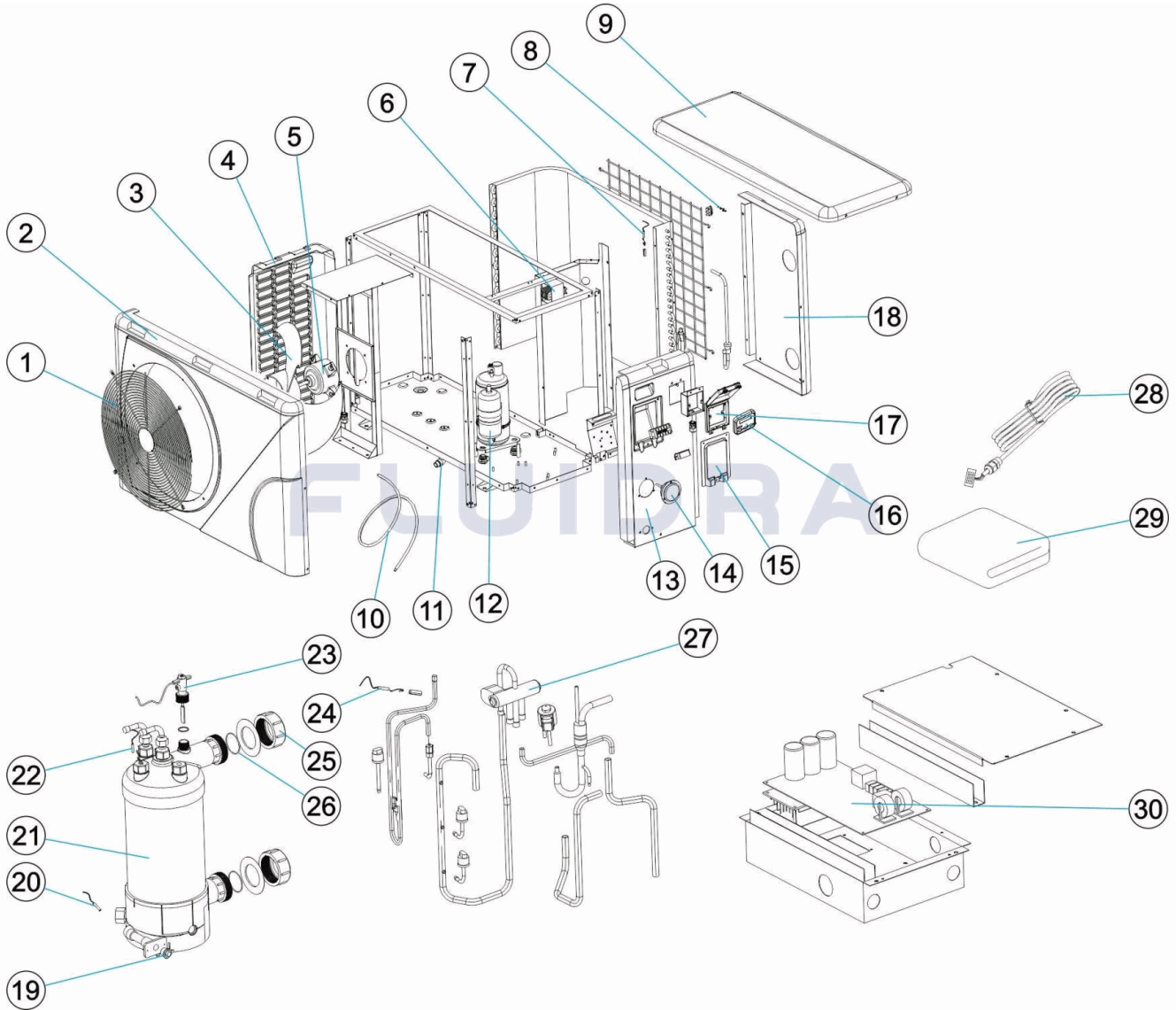


CODIGO **66108**

DESCRIPCION: **PRO ELYO INVERTER**



ESPAÑOL

POS	CODIGO	DESCRIPCION	CANTIDAD	POS	CODIGO	DESCRIPCION	CANTIDAD
1	ZX1081600122	REJILLA FRONTAL		15	66108R0009	CUBIERTA TERMINALES	
2	66108R0005	PANEL FRONTAL		16	66108R0020	CONTROLADOR	
3	66108R0003	ASPAS VENTILADOR		17	66108R0017	CAJA CONTROLADOR IMPERMEABLE	
4	66108R0010	PANEL IZQUIERDO		18	66108R0007	PANEL TRASERO	
5	66108R0002	MOTOR VENTILADOR		19	ZX150000110	TAPON PURGA	
6	66108R0015	BOBINA PFC		20	66108R0025	SENSOR DE TEMPERATURA	
7	66108R0022	SENSOR DE TEMPERATURA		21	66108R0013	INTERCAMBIADOR TITANIO	
8	66108R0021	SENSOR DE TEMPERATURA		22	66108R0024	SENSOR DE TEMPERATURA	
9	66108R0008	TAPA SUPERIOR		23	66108R0019	FLUJOSTATO	
10	ZX136010024	MANGUERA DE DRENAJE		24	66108R0023	SENSOR DE TEMPERATURA	
11	ZX136010023	BOQUILLA DE AGUA		25	66108R0018	KIT DE CONEXIÓN AGUA	
12	66108R0012	COMPRESOR		26	ZX133020026	JUNTA TORICA	
13	66108R0006	PANEL DERECHO		27	ZX112600009	VALVULA 4 VIAS	

CODIGO 66108

DESCRIPCION: PRO ELYO INVERTER

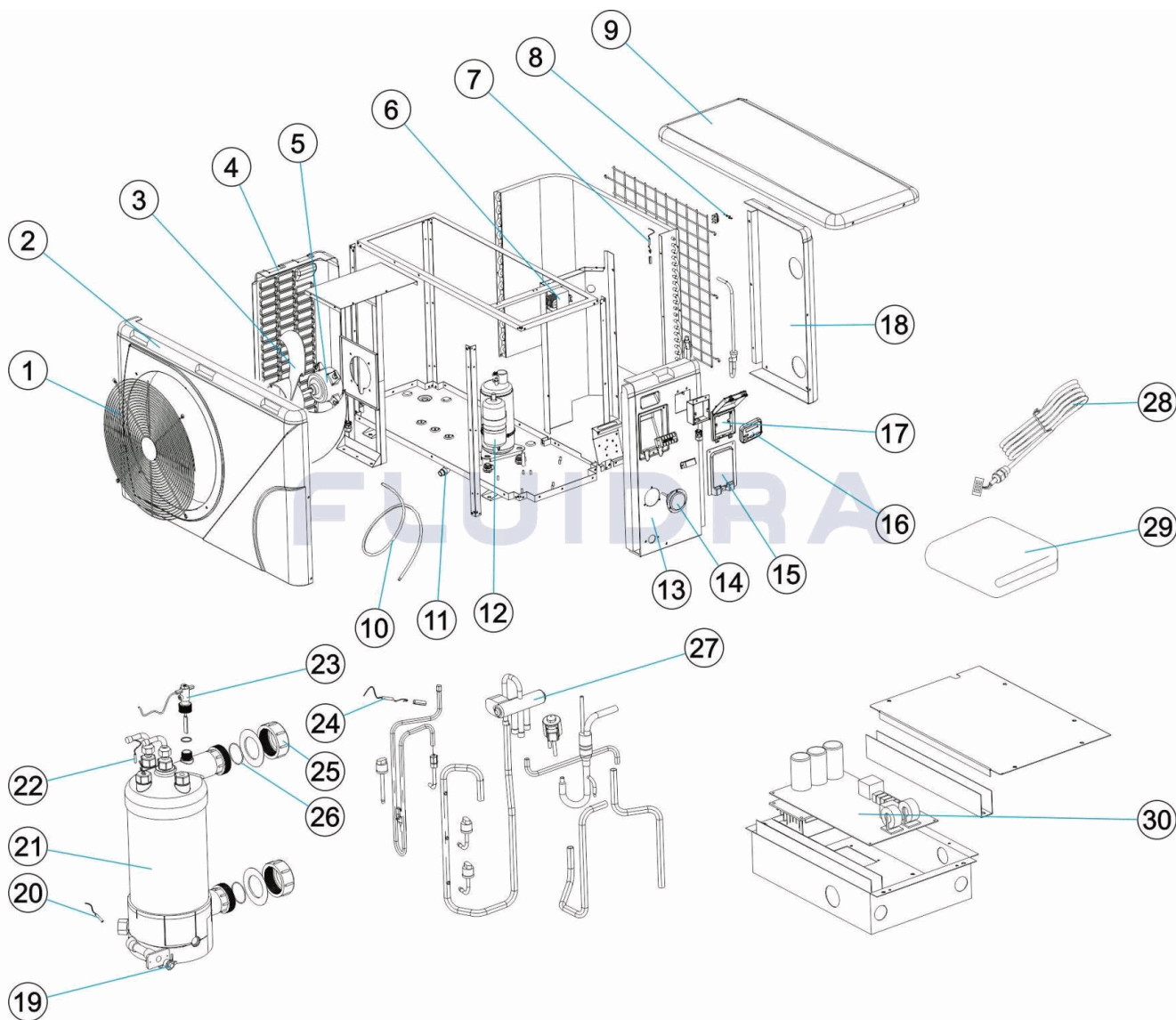
14	66108R0016	MANOMETRO	28	* 66108R0026	1,2M CABLE CONEXIÓN
28	* 66108R0027	10M CABLE CONEXIÓN	30	66108R0014	PLACA BASE PCB
29	66108R0011	CUBIERTA DE INVIERNO			

CODIGO **66108**DESCRIPCION: **PRO ELYO INVERTER****OBSERVACIONES**

POS	CODIGO	OBSERVACIONES
28	66108R0026	PARA: 1,2 METROS / 1,2 METERS
28	66108R0027	PARA: 10 METROS / 10 METERS

CODE **66108**

DESCRIPTION: **PRO ELYO INVERTER**



FRANCAIS

POS	CODE	DESCRIPTION	QUANTITE	POS	CODE	DESCRIPTION	QUANTITE
1	ZX1081600122	GRILLE FRONTALE		15	66108R0009	COUVERCLE TERMINAL	
2	66108R0005	PANNEAU AVANT		16	66108R0020	CONTRÔLEUR	
3	66108R0003	PALES VENTILATEUR		17	66108R0017	BOÎTIER CONTRÔLEUR ÉTANCHE	
4	66108R0010	PANNEAU GAUCHE		18	66108R0007	PANNEAU ARRIÈRE	
5	66108R0002	MOTEUR VENTILATEUR		19	ZX150000110	BOUCHON PURGE	
6	66108R0015	INDUCTEUR PFC		20	66108R0025	CAPTEUR TEMPÉRATURE	
7	66108R0022	CAPTEUR TEMPÉRATURE		21	66108R0013	ÉCHANGEUR EN TITANE	
8	66108R0021	CAPTEUR TEMPÉRATURE		22	66108R0024	CAPTEUR TEMPÉRATURE	
9	66108R0008	COUVERCLE SUPÉRIEUR		23	66108R0019	CONTROLEUR DE DEBIT	
10	ZX136010024	TUYAU DE DRAINAGE		24	66108R0023	CAPTEUR TEMPÉRATURE	
11	ZX136010023	BUSE D'EAU		25	66108R0018	ENSEMBLES CONNEXION D'EAU	
12	66108R0012	COMPRESSEUR		26	ZX133020026	JOINT TORIQUE	
13	66108R0006	PANNEAU DROIT		27	ZX112600009	VANNE 4 VOIES	

*** VOIR FICHE D'OBSERVATIONS**

CODE **66108**

DESCRIPTION: **PRO ELYO INVERTER**

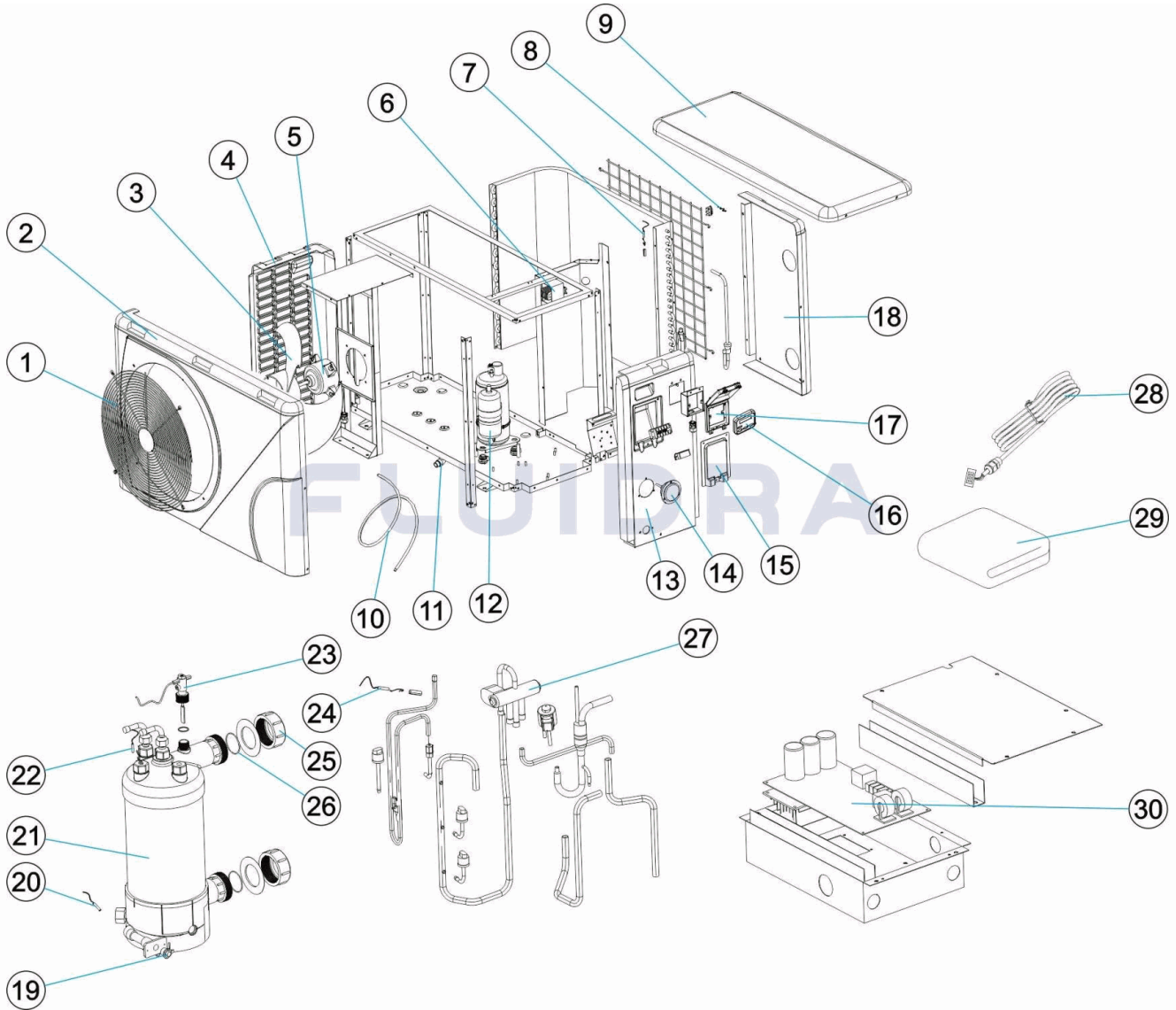
14	66108R0016	MANOMETRE	28	* 66108R0026	1,2M CABLE BRANCHEMENT
28	* 66108R0027	10M CABLE BRANCHEMENT	30	66108R0014	PLAQUE BASE PCB
29	66108R0011	COUVERTURE D'HIVERNAGE			

CODE **66108**DESCRIPTION: **PRO ELYO INVERTER****OBSERVATIONS**

POS	CODE	OBSERVATIONS
28	66108R0026	POUR: 1,2 METROS / 1,2 METERS
28	66108R0027	POUR: 10 METROS / 10 METERS

CODE **66108**

DESCRIPTION: **PRO ELYO INVERTER**



ENGLISH

POS	CODE	DESCRIPTION	QUANTITY	POS	CODE	DESCRIPTION	QUANTITY
1	ZX1081600122	FRONT GRILL		15	66108R0009	TERMINAL BLOCKS PLASTIC COVER	
2	66108R0005	FRONT PANEL		16	66108R0020	CONTROLLER	
3	66108R0003	FAN BLADE		17	66108R0017	WATERPROOF CONTROLLER BOX	
4	66108R0010	LEFT SIDE PANEL		18	66108R0007	BACK PANEL	
5	66108R0002	FAN MOTOR		19	ZX150000110	DRAIN PLUG	
6	66108R0015	PFC INDUCTOR		20	66108R0025	TEMPERATURE SENSOR	
7	66108R0022	TEMPERATURE SENSOR		21	66108R0013	TITANIUM HEAT EXCHANGER	
8	66108R0021	TEMPERATURE SENSOR		22	66108R0024	TEMPERATURE SENSOR	
9	66108R0008	TOP COVER		23	66108R0019	WATER FLOW SWITCH	
10	ZX136010024	DRAIN HOSE		24	66108R0023	TEMPERATURE SENSOR	
11	ZX136010023	WATER NOZZLE		25	66108R0018	WATER CONNECTION SETS	
12	66108R0012	COMPRESSOR		26	ZX133020026	O' RING	
13	66108R0006	RIGHT SIDE PANEL		27	ZX112600009	4-WAY VALVE	

*** SEE OBSERVATIONS SHEET**

CODE **66108**

DESCRIPTION: **PRO ELYO INVERTER**

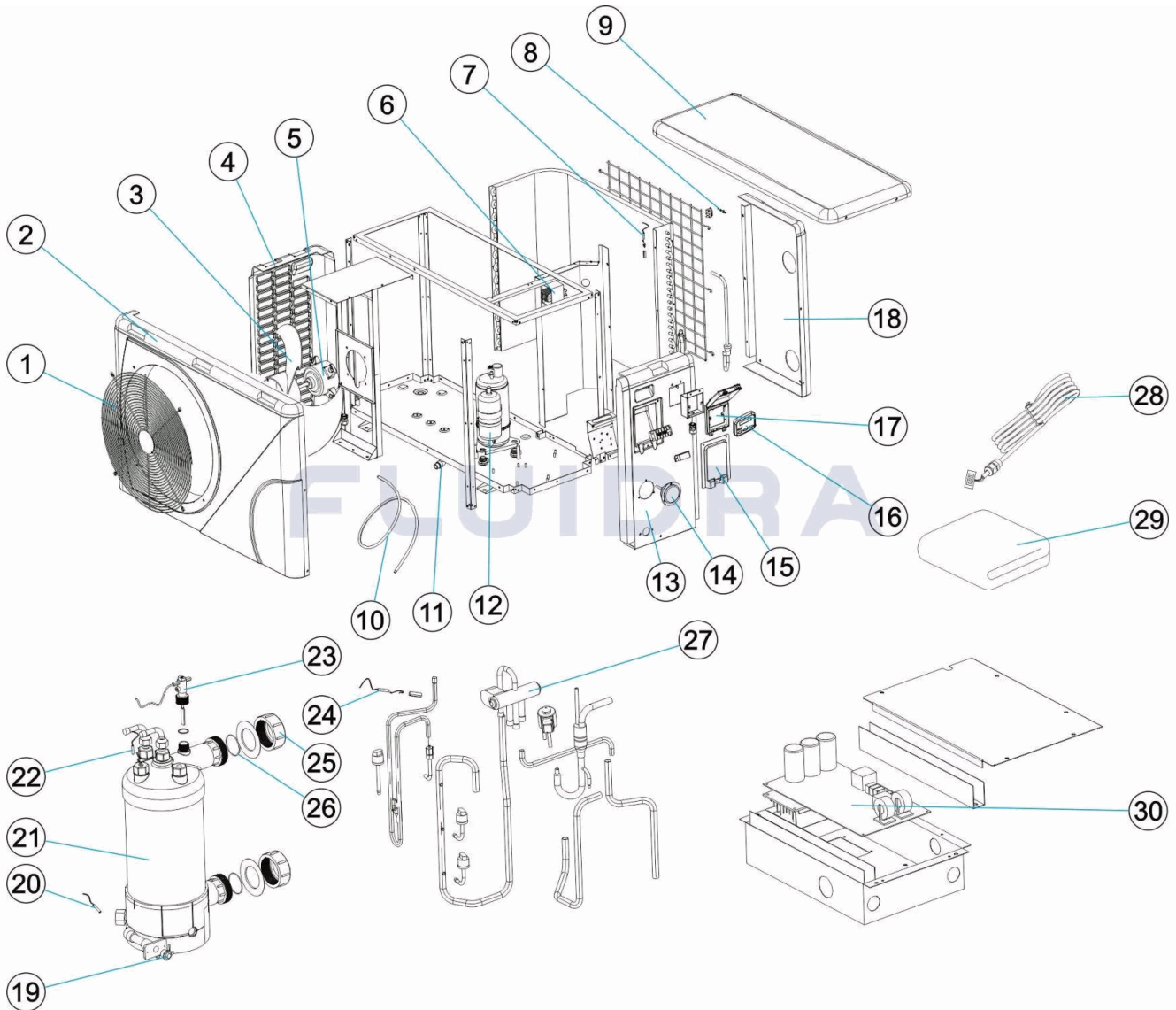
14	66108R0016	PRESSURE GAUGE	28	* 66108R0026	1,2M CONNEXION CABLE
28	* 66108R0027	10M CONNEXION CABLE	30	66108R0014	PC BOARD
29	66108R0011	WINTER COVER			

CODE **66108**DESCRIPTION: **PRO ELYO INVERTER****OBSERVATIONS**

POS	CODE	OBSERVATIONS
28	66108R0026	FOR: 1,2 METROS / 1,2 METERS
28	66108R0027	FOR: 10 METROS / 10 METERS

CODICE **66108**

DESCRIZIONE: **PRO ELYO INVERTER**



ITALIANO

POS	CODICE	DESCRIZIONE	QUANTITA'	POS	CODICE	DESCRIZIONE	QUANTITA'
1	ZX1081600122	GRIGLIA FRONTALE		15	66108R0009	COPERCHIO TERMINALE	
2	66108R0005	PANNELLO FRONTALE		16	66108R0020	CONTROLLATORE	
3	66108R0003	PALE VENTILATORE		17	66108R0017	SCATOLA CONTROLLO IMPERMEABILE	
4	66108R0010	PANNELLO SINISTRO		18	66108R0007	PANNELLO INDIETRO	
5	66108R0002	MOTORE VENTOLA		19	ZX150000110	TAPPO SPURGO	
6	66108R0015	INDUTTORE PFC		20	66108R0025	SENSORE DI TEMPERATURA	
7	66108R0022	SENSORE DI TEMPERATURA		21	66108R0013	INTERCAMBIATORE IN TITANIO	
8	66108R0021	SENSORE DI TEMPERATURA		22	66108R0024	SENSORE DI TEMPERATURA	
9	66108R0008	COPERCHIO SUPERIORE		23	66108R0019	FLUSSOSTATO	
10	ZX136010024	TUBO DI SCARICO		24	66108R0023	SENSORE DI TEMPERATURA	
11	ZX136010023	UGELLO DELL'ACQUA		25	66108R0018	SET CONNESSIONE DELL'ACQUA	
12	66108R0012	COMPRESSORE		26	ZX133020026	O-RING	
13	66108R0006	PANNELLO DESTRO		27	ZX112600009	VALVOLA A 4 VIE	

*** SI FACCIA RIFERIMENTO AL FOGLIO DELLE OSSERVAZIONI**

CODICE **66108**

DESCRIZIONE: **PRO ELYO INVERTER**

14	66108R0016	MANOMETRO	28	* 66108R0026	1,2M CAVO COLLEGAMENTO
28	* 66108R0027	10M CAVO COLLEGAMENTO	30	66108R0014	SCHEDA BASE PCB
29	66108R0011	COPERTA DI INVERNO			

CODICE 66108

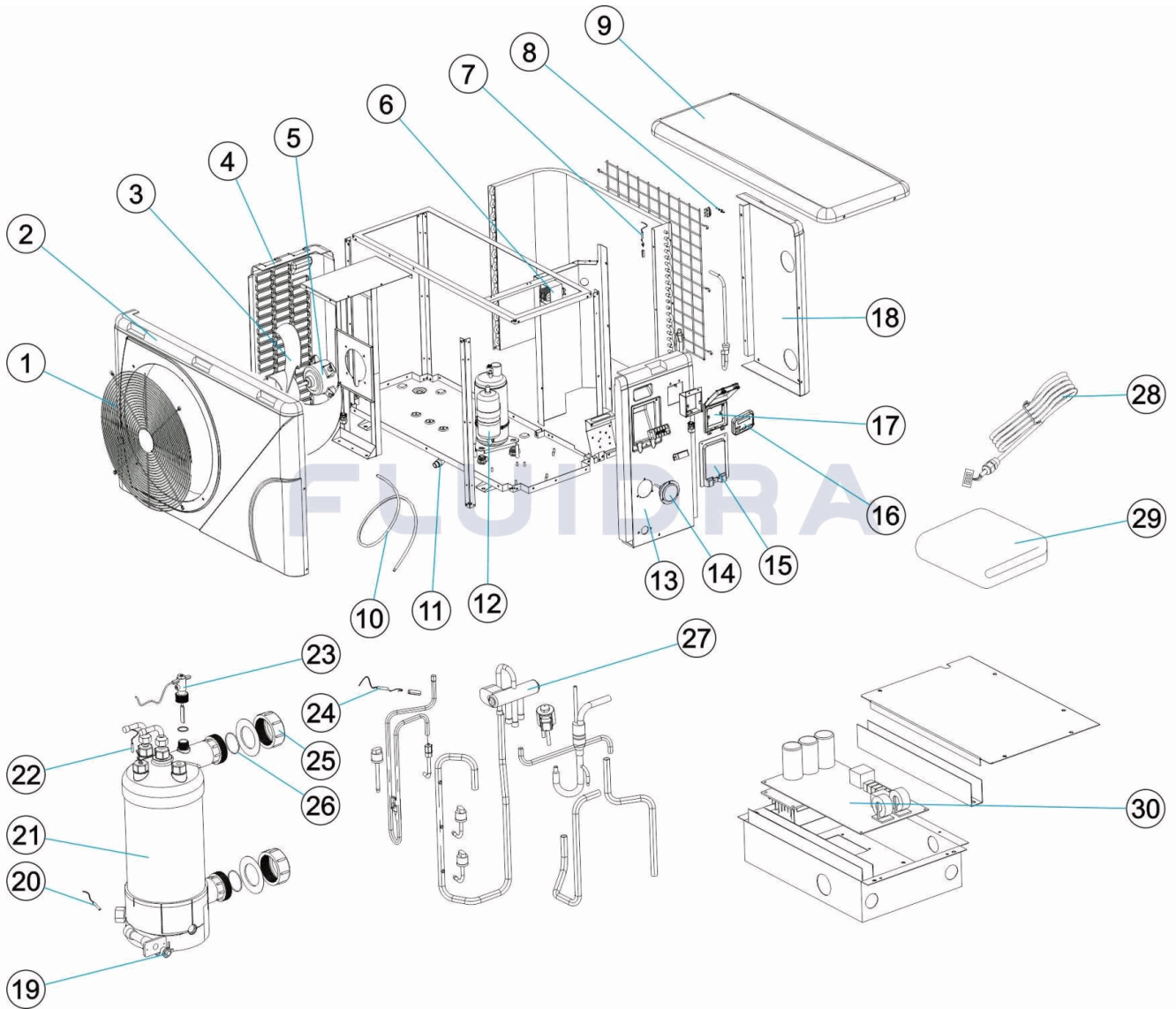
DESCRIZIONE: PRO ELYO INVERTER

OSSERVAZIONI

POS	CODICE	OSSERVAZIONI
28	66108R0026	PER: 1,2 METROS / 1,2 METERS
28	66108R0027	PER: 10 METROS / 10 METERS

CODE **66108**

BESCHREIBUNG: **PRO ELYO INVERTER**



DEUTSCH

POS	CODE	BESCHREIBUNG	MENGE	POS	CODE	BESCHREIBUNG	MENGE
1	ZX1081600122	FRONTGITTER		15	66108R0009	ANSCHLUSSABDECKUNG	
2	66108R0005	FRONTPLATTE		16	66108R0020	STEUERUNG	
3	66108R0003	ROTORBLÄTTER VENTILATOR		17	66108R0017	WASSERDICHTHE STEUERUNGSBOX	
4	66108R0010	LINKENPLATTE		18	66108R0007	FÜHRERHAUSRÜCKWAND	
5	66108R0002	LÜFTERMOTOR		19	ZX150000110	ABLASSSTOPFEN	
6	66108R0015	PFC-INDUKTOR		20	66108R0025	TEMPERATURFÜHLER	
7	66108R0022	TEMPERATURFÜHLER		21	66108R0013	WÄRMEÜBERTRAGER TITANIUM	
8	66108R0021	TEMPERATURFÜHLER		22	66108R0024	TEMPERATURFÜHLER	
9	66108R0008	ABDECKUNG OBEN		23	66108R0019	DURCHFLUSSMESSER	
10	ZX136010024	ABFLUSSSCHLAUCH		24	66108R0023	TEMPERATURFÜHLER	
11	ZX136010023	WASSERDÜSE		25	66108R0018	WASSERANSCHLUSS SET	
12	66108R0012	KOMPRESSOR		26	ZX133020026	O-RING	
13	66108R0006	RECHTENPLATTE		27	ZX112600009	4-WEGE-VENTIL	

* SIEHE ANMERKUNGSBLATT

CODE **66108**

BESCHREIBUNG: **PRO ELYO INVERTER**

14	66108R0016	MANOMETER	28	* 66108R0026	1,2M ANSCHLUSSKABEL
28	* 66108R0027	10M ANSCHLUSSKABEL	30	66108R0014	BASISPLATTE PCB
29	66108R0011	WINTERDECKEL			

CODE **66108**

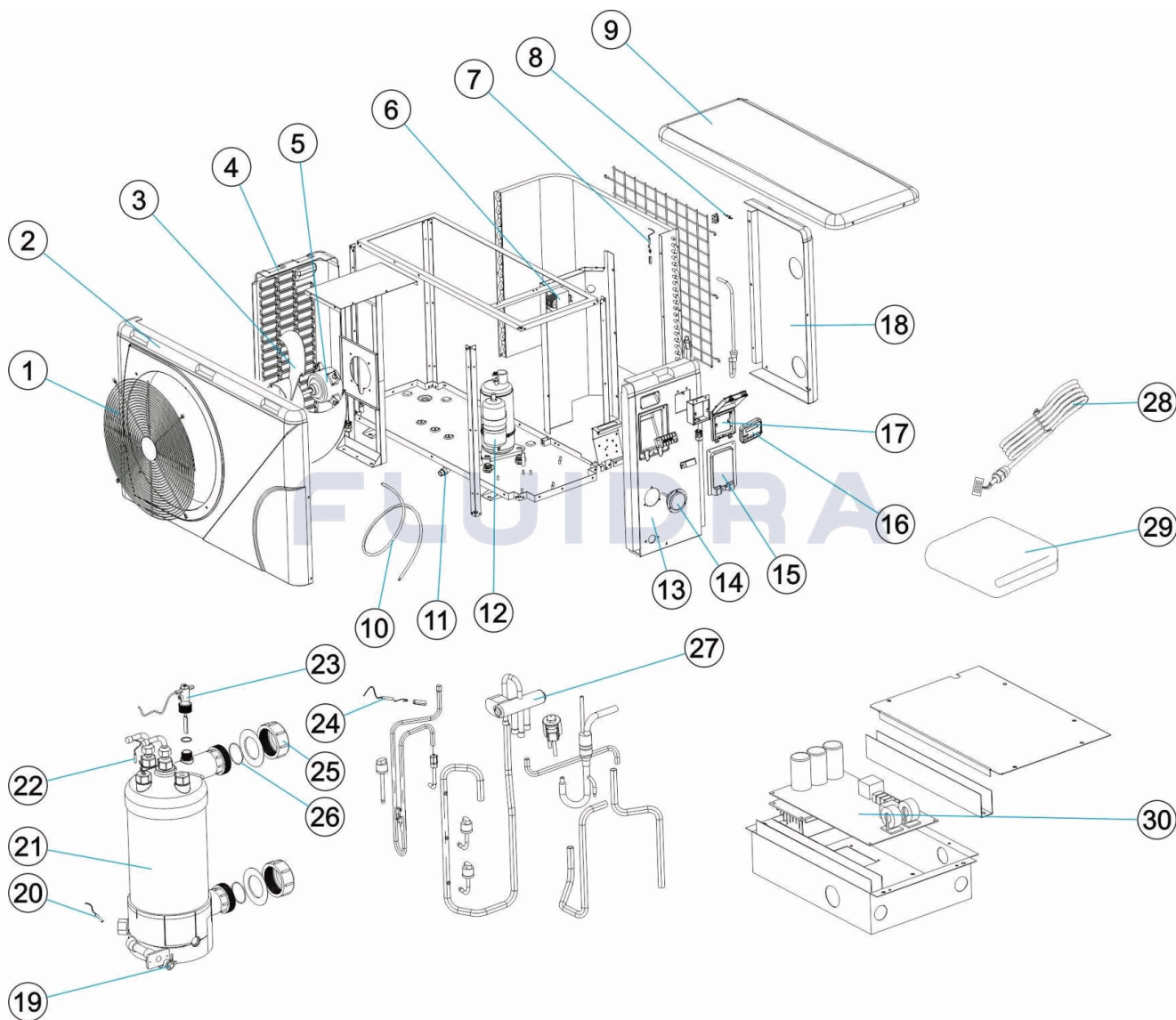
BESCHREIBUNG: **PRO ELYO INVERTER**

HINWEISE

POS	CODE	HINWEISE
28	66108R0026	FÜR: 1,2 METROS / 1,2 METERS
28	66108R0027	FÜR: 10 METROS / 10 METERS

CODIGO **66108**

DESCRIÇÃO: **PRO ELYO INVERTER**



PORTUGUES

POS	CODIGO	DESCRIÇÃO	QUANTIDADE	POS	CODIGO	DESCRIÇÃO	QUANTIDADE
1	ZX1081600122	GRELHA FRONTAL		15	66108R0009	COBERTURA TERMINAL	
2	66108R0005	PAINEL FRONTAL		16	66108R0020	CONTROLADOR	
3	66108R0003	PÁS VENTILADOR		17	66108R0017	CAIXA DE CONTROLE IMPERMEÁVEL	
4	66108R0010	PAINEL ESQUERDO		18	66108R0007	PAINEL TRASEIRO	
5	66108R0002	MOTOR VENTILADOR		19	ZX150000110	TAMPÃO PURGA	
6	66108R0015	INDUCTOR DE PFC		20	66108R0025	SENSOR DE TEMPERATURA	
7	66108R0022	SENSOR DE TEMPERATURA		21	66108R0013	PERMUTADOR DE TITÂNIO	
8	66108R0021	SENSOR DE TEMPERATURA		22	66108R0024	SENSOR DE TEMPERATURA	
9	66108R0008	TAMPA SUPERIOR		23	66108R0019	FLUXO-ESTATO	
10	ZX136010024	MANGUEIRA DE DRENAGEM		24	66108R0023	SENSOR DE TEMPERATURA	
11	ZX136010023	BOCAL DE ÁGUA		25	66108R0018	CONJECTIVOS CONEXÃO DE ÁGUA	
12	66108R0012	COMPRESSOR		26	ZX133020026	JUNTA TÓRICA	
13	66108R0006	PAINEL DIREITO		27	ZX112600009	VALVULA 4 VIAS	

*** VEJA A FICHA DE OBSERVAÇÕES**

CODIGO **66108**

DESCRIÇÃO: **PRO ELYO INVERTER**

14	66108R0016	MANOMETRO	28	* 66108R0026	1,2M CABO LIGAÇÃO
28	* 66108R0027	10M CABO LIGAÇÃO	30	66108R0014	PLACA BASE PCB
29	66108R0011	COBERTURA DE INVERNO			

CODIGO **66108**DESCRIÇÃO: **PRO ELYO INVERTER****OBSERVACÕES**

POS	CODIGO	OBSERVACÕES
28	66108R0026	PARA: 1,2 METROS / 1,2 METERS
28	66108R0027	PARA: 10 METROS / 10 METERS