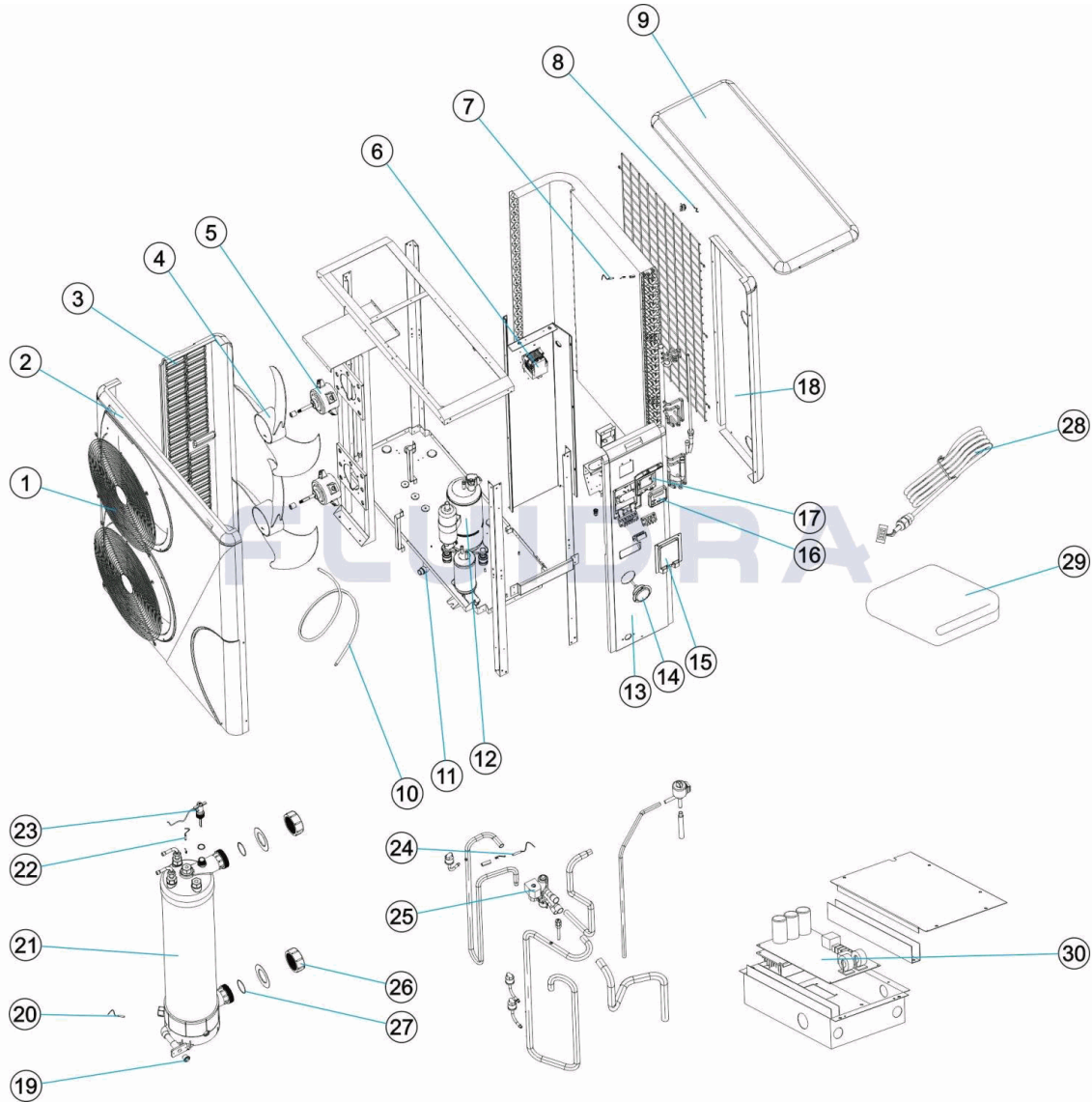


CODIGO **66109**

DESCRIPCION: **PRO ELYO INVERTER**



ESPAÑOL

POS	CODIGO	DESCRIPCION	CANTIDAD	POS	CODIGO	DESCRIPCION	CANTIDAD
1	ZX1081600122	REJILLA FRONTAL		15	66109R0009	CUBIERTA TERMINALES	
2	66109R0005	PANEL FRONTAL		16	66108R0020	CONTROLADOR	
3	66109R0010	PANEL IZQUIERDO		17	66108R0017	CAJA CONTROLADOR IMPERMEABLE	
4	66108R0003	ASPAS VENTILADOR		18	66109R0007	PANEL TRASERO	
5	66108R0002	MOTOR VENTILADOR		19	ZX150000110	TAPON PURGA	
6	66109R0015	BOBINA PFC		20	66108R0025	SENSOR DE TEMPERATURA	
7	66108R0022	SENSOR DE TEMPERATURA		21	66109R0013	INTERCAMBIADOR DE TITANIO	
8	66108R0021	SENSOR DE TEMPERATURA		22	66108R0024	SENSOR DE TEMPERATURA	
9	66109R0008	TAPA SUPERIOR		23	66108R0019	FLUJOSTATO	
10	ZX136010024	MANGUERA DE DRENAJE		24	66108R0023	SENSOR DE TEMPERATURA	
11	ZX136010023	BOQUILLA DE AGUA		25	ZX112600009	VALVULA 4 VIAS	
12	66109R0012	COMPRESOR		26	66108R0018	KIT DE CONEXIÓN AGUA	
13	66109R0006	PANEL DERECHO		27	ZX133020026	JUNTA TORICA	

CODIGO **66109**

DESCRIPCION: **PRO ELYO INVERTER**

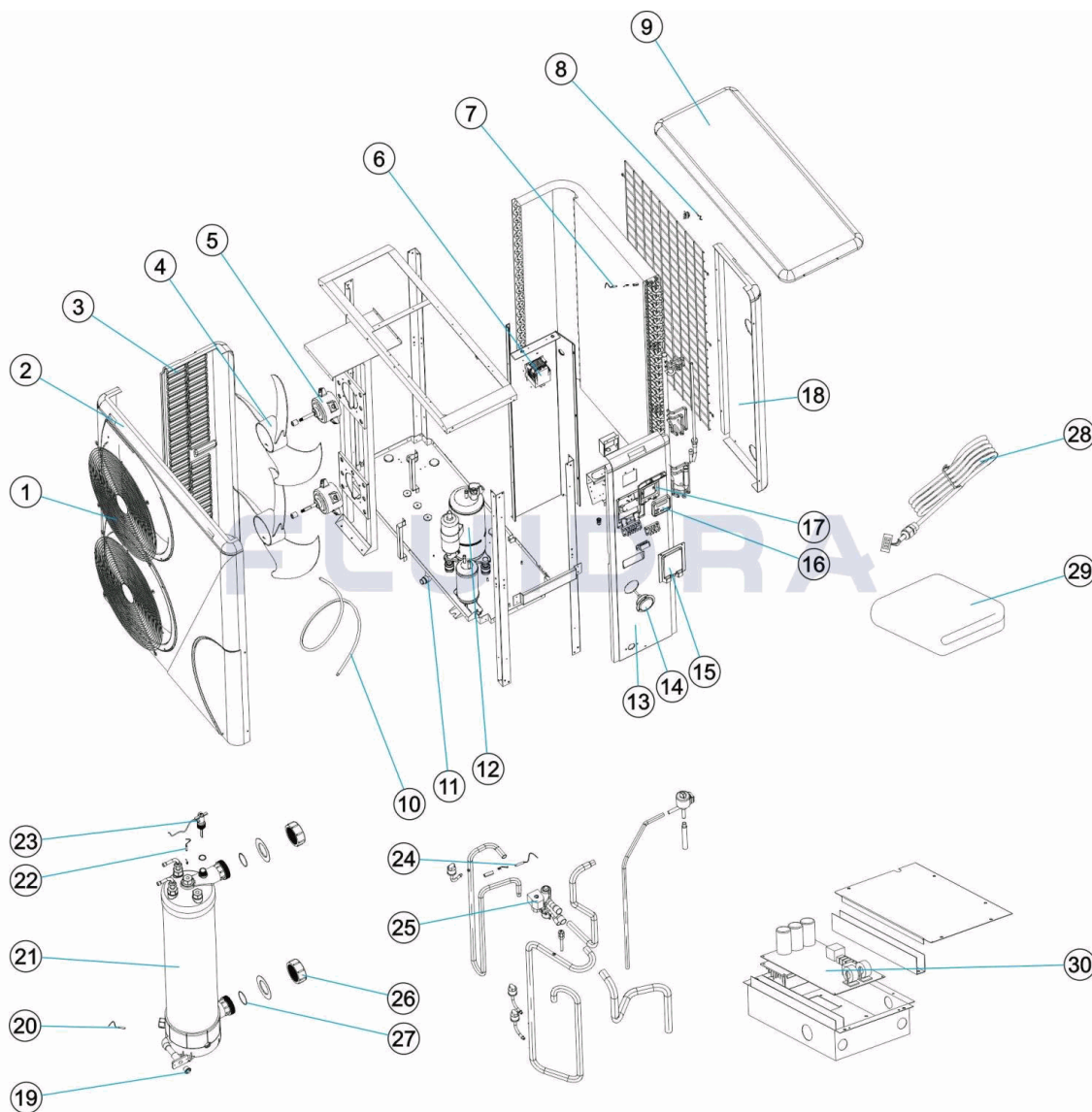
14	66108R0016	MANOMETRO	28	* 66108R0026	1,2M CABLE CONEXIÓN
28	* 66108R0027	10M CABLE CONEXIÓN	30	ZX117100058	PLACA BASE PCB
29	66109R0011	CUBIERTA DE INVIERNO			

CODIGO **66109**DESCRIPCION: **PRO ELYO INVERTER****OBSERVACIONES**

POS	CODIGO	OBSERVACIONES
28	66108R0026	PARA: 1,2 METROS / 1,2 METERS
28	66108R0027	PARA: 10 METROS / 10 METERS

CODE **66109**

DESCRIPTION: **PRO ELYO INVERTER**



FRANCAIS

POS	CODE	DESCRIPTION	QUANTITE	POS	CODE	DESCRIPTION	QUANTITE
1	ZX1081600122	GRILLE FRONTALE		15	66109R0009	COUVERCLE TERMINAL	
2	66109R0005	PANNEAU AVANT		16	66108R0020	CONTRÔLEUR	
3	66109R0010	PANNEAU GAUCHE		17	66108R0017	BOÎTIER CONTRÔLEUR ÉTANCHE	
4	66108R0003	PALES VENTILATEUR		18	66109R0007	PANNEAU ARRIÈRE	
5	66108R0002	MOTEUR VENTILATEUR		19	ZX150000110	BOUCHON PURGE	
6	66109R0015	INDUCTEUR PFC		20	66108R0025	CAPTEUR TEMPÉRATURE	
7	66108R0022	CAPTEUR TEMPÉRATURE		21	66109R0013	ÉCHANGEUR EN TITANE	
8	66108R0021	CAPTEUR TEMPÉRATURE		22	66108R0024	CAPTEUR TEMPÉRATURE	
9	66109R0008	COUVERCLE SUPÉRIEUR		23	66108R0019	CONTROLEUR DE DEBIT	
10	ZX136010024	TUYAU DE DRAINAGE		24	66108R0023	CAPTEUR TEMPÉRATURE	
11	ZX136010023	BUSE D'EAU		25	ZX112600009	VANNE 4 VOIES	
12	66109R0012	COMPRESSEUR		26	66108R0018	ENSEMBLES CONNEXION D'EAU	
13	66109R0006	PANNEAU DROIT		27	ZX133020026	JOINT TORIQUE	

*** VOIR FICHE D'OBSERVATIONS**

CODE **66109**

DESCRIPTION: **PRO ELYO INVERTER**

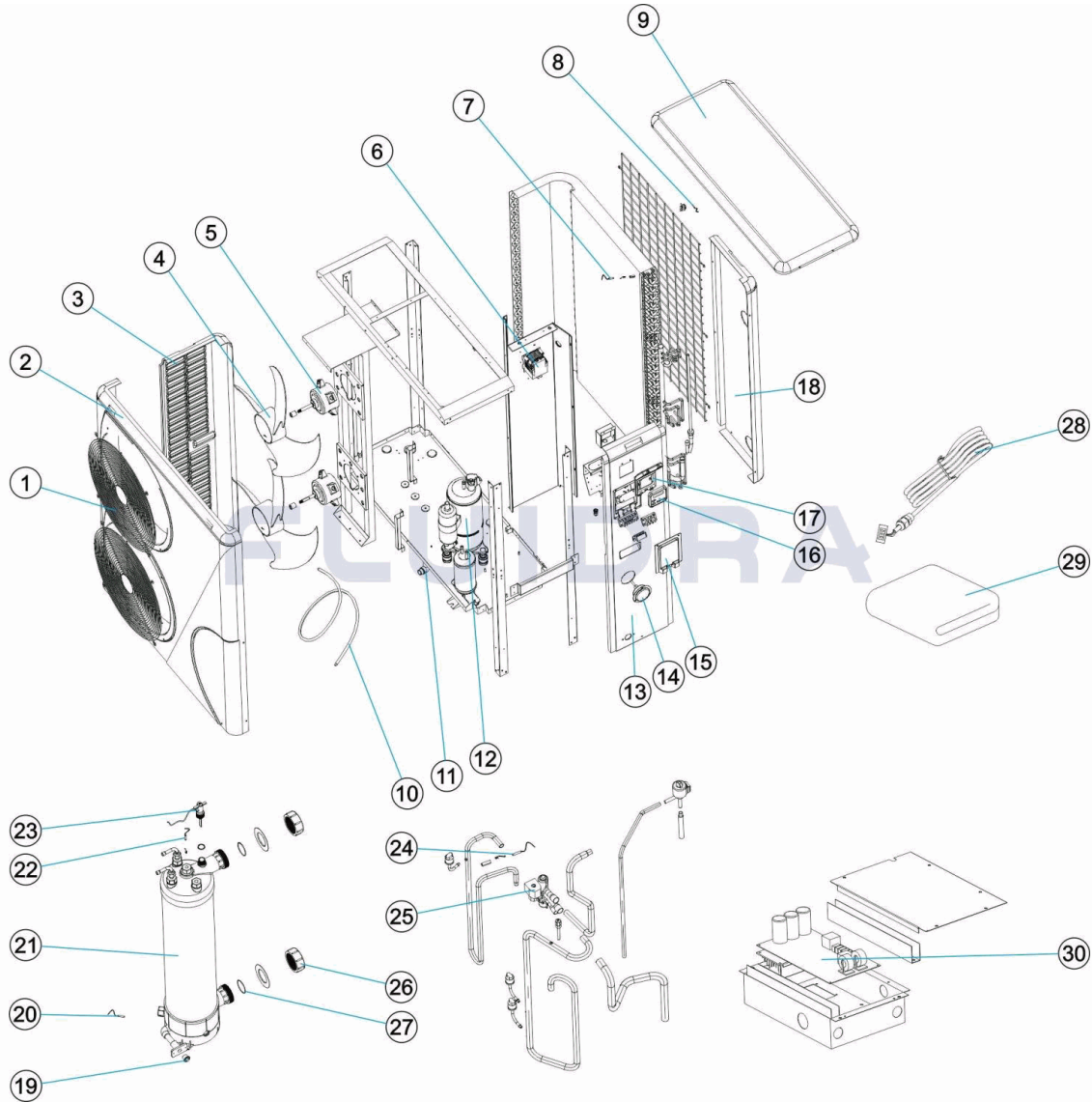
14	66108R0016	MANOMETRE	28	* 66108R0026	1,2M CABLE BRANCHEMENT
28	* 66108R0027	10M CABLE BRANCHEMENT	30	ZX117100058	PLAQUE BASE PCB
29	66109R0011	COUVERTURE D'HIVERNAGE			

CODE **66109**DESCRIPTION: **PRO ELYO INVERTER****OBSERVATIONS**

POS	CODE	OBSERVATIONS
28	66108R0026	POUR: 1,2 METROS / 1,2 METERS
28	66108R0027	POUR: 10 METROS / 10 METERS

CODE **66109**

DESCRIPTION: **PRO ELYO INVERTER**



ENGLISH

POS	CODE	DESCRIPTION	QUANTITY	POS	CODE	DESCRIPTION	QUANTITY
1	ZX1081600122	FRONT GRILL		15	66109R0009	TERMINAL BLOCKS PLASTIC COVER	
2	66109R0005	FRONT PANEL		16	66108R0020	CONTROLLER	
3	66109R0010	LEFT SIDE PANEL		17	66108R0017	WATERPROOF CONTROLLER BOX	
4	66108R0003	FAN BLADE		18	66109R0007	BACK PANEL	
5	66108R0002	FAN MOTOR		19	ZX150000110	DRAIN PLUG	
6	66109R0015	PFC INDUCTOR		20	66108R0025	TEMPERATURE SENSOR	
7	66108R0022	TEMPERATURE SENSOR		21	66109R0013	TITANIUM HEAT EXCHANGER	
8	66108R0021	TEMPERATURE SENSOR		22	66108R0024	TEMPERATURE SENSOR	
9	66109R0008	TOP COVER		23	66108R0019	WATER FLOW SWITCH	
10	ZX136010024	DRAIN HOSE		24	66108R0023	TEMPERATURE SENSOR	
11	ZX136010023	WATER NOZZLE		25	ZX112600009	4-WAY VALVE	
12	66109R0012	COMPRESSOR		26	66108R0018	WATER CONNECTION SETS	
13	66109R0006	RIGHT SIDE PANEL		27	ZX133020026	O' RING	

*** SEE OBSERVATIONS SHEET**

CODE **66109**

DESCRIPTION: **PRO ELYO INVERTER**

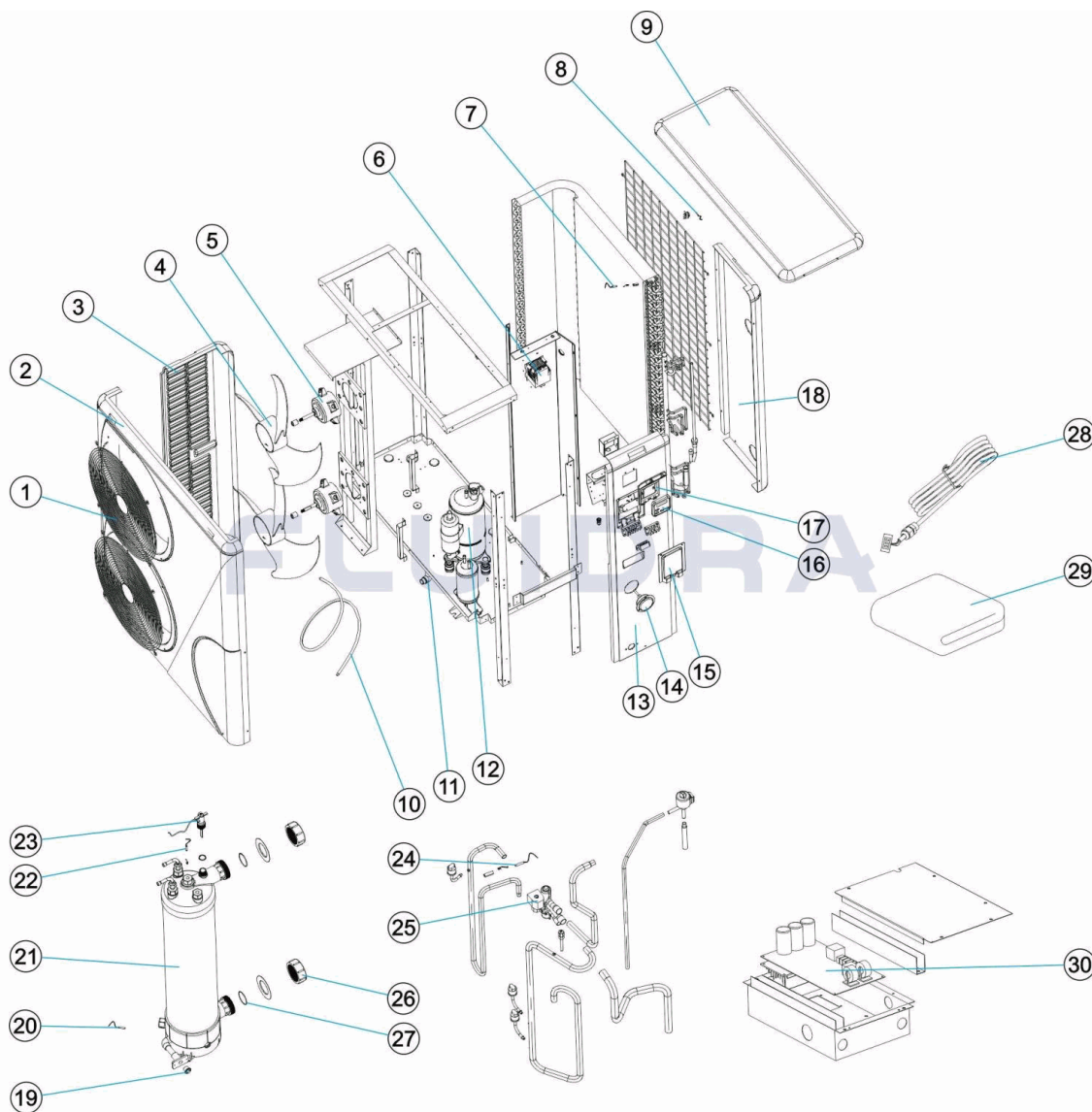
14	66108R0016	PRESSURE GAUGE	28	* 66108R0026	1,2M CONNEXION CABLE
28	* 66108R0027	10M CONNEXION CABLE	30	ZX117100058	PC BOARD
29	66109R0011	WINTER COVER			

CODE **66109**DESCRIPTION: **PRO ELYO INVERTER****OBSERVATIONS**

POS	CODE	OBSERVATIONS
28	66108R0026	FOR: 1,2 METROS / 1,2 METERS
28	66108R0027	FOR: 10 METROS / 10 METERS

CODICE **66109**

DESCRIZIONE: **PRO ELYO INVERTER**



ITALIANO

POS	CODICE	DESCRIZIONE	QUANTITA'	POS	CODICE	DESCRIZIONE	QUANTITA'
1	ZX1081600122	GRIGLIA FRONTALE		15	66109R0009	COPERCHIO TERMINALE	
2	66109R0005	PANNELLO FRONTALE		16	66108R0020	CONTROLLATORE	
3	66109R0010	PANNELLO SINISTRO		17	66108R0017	SCATOLA CONTROLLO IMPERMEABILE	
4	66108R0003	PALE VENTILATORE		18	66109R0007	PANNELLO INDIETRO	
5	66108R0002	MOTORE VENTOLA		19	ZX150000110	TAPPO SPURGO	
6	66109R0015	INDUTTORE PFC		20	66108R0025	SENSORE DI TEMPERATURA	
7	66108R0022	SENSORE DI TEMPERATURA		21	66109R0013	INTERCAMBIATORE IN TITANIO	
8	66108R0021	SENSORE DI TEMPERATURA		22	66108R0024	SENSORE DI TEMPERATURA	
9	66109R0008	COPERCHIO SUPERIORE		23	66108R0019	FLUSSOSTATO	
10	ZX136010024	TUBO DI SCARICO		24	66108R0023	SENSORE DI TEMPERATURA	
11	ZX136010023	UGELLO DELL'ACQUA		25	ZX112600009	VALVOLA A 4 VIE	
12	66109R0012	COMPRESSORE		26	66108R0018	SET CONNESSIONE DELL'ACQUA	
13	66109R0006	PANNELLO DESTRO		27	ZX133020026	O-RING	

*** SI FACCIA RIFERIMENTO AL FOGLIO DELLE OSSERVAZIONI**

CODICE **66109**

DESCRIZIONE: **PRO ELYO INVERTER**

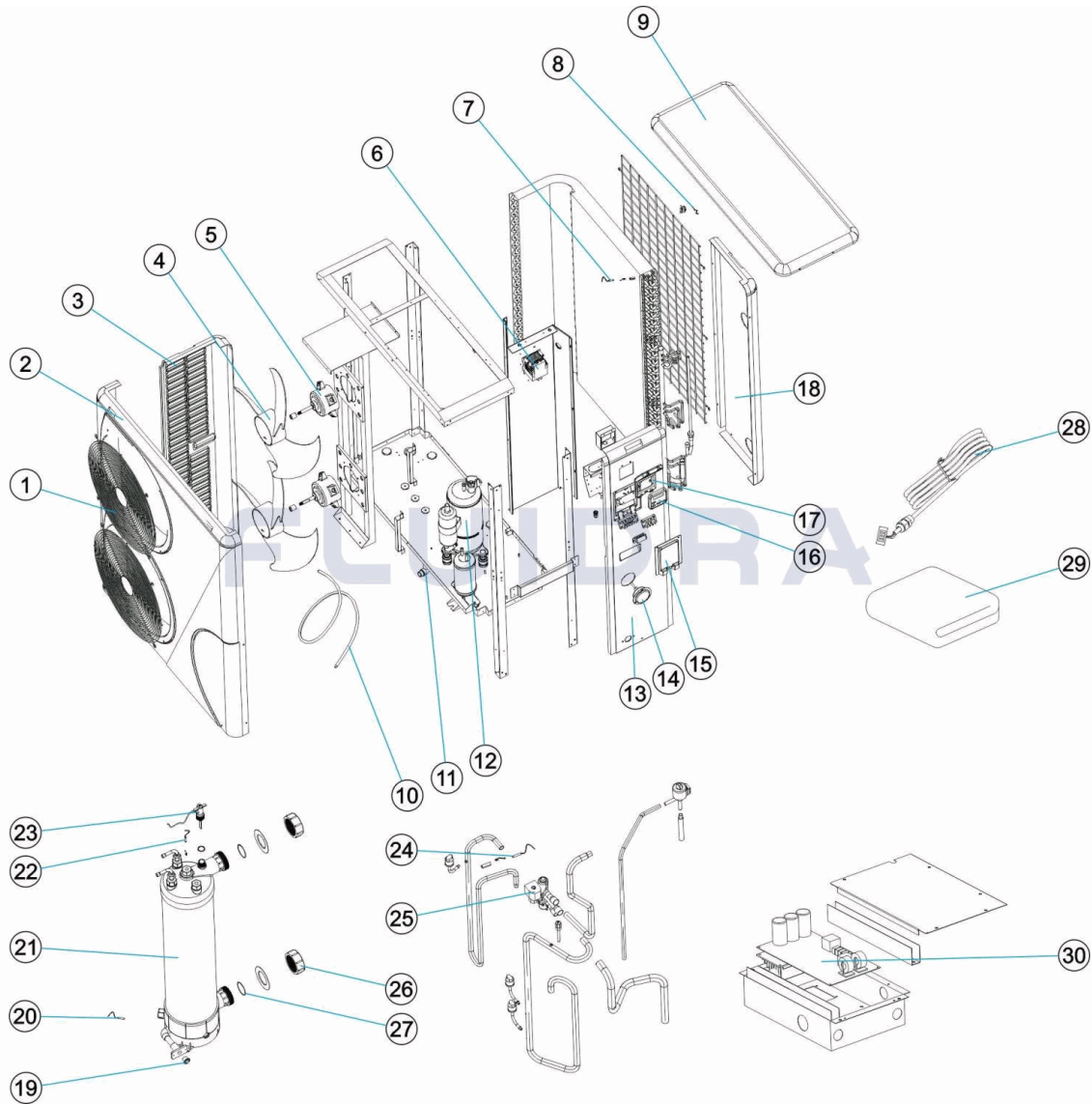
14	66108R0016	MANOMETRO	28	* 66108R0026	1,2M CAVO COLLEGAMENTO
28	* 66108R0027	10M CAVO COLLEGAMENTO	30	ZX117100058	SCHEDA BASE PCB
29	66109R0011	COPERTA DI INVERNO			

CODICE **66109**DESCRIZIONE: **PRO ELYO INVERTER****OSSERVAZIONI**

POS	CODICE	OSSERVAZIONI
28	66108R0026	PER: 1,2 METROS / 1,2 METERS
28	66108R0027	PER: 10 METROS / 10 METERS

CODE **66109**

BESCHREIBUNG: **PRO ELYO INVERTER**



DEUTSCH

POS	CODE	BESCHREIBUNG	MENGE	POS	CODE	BESCHREIBUNG	MENGE
1	ZX1081600122	FRONTGITTER		15	66109R0009	ANSCHLUSSABDECKUNG	
2	66109R0005	FRONTPLATTE		16	66108R0020	STEUERUNG	
3	66109R0010	LINKENPLATTE		17	66108R0017	WASSERDICHTHE STEUERUNGSBOX	
4	66108R0003	ROTORBLÄTTER VENTILATOR		18	66109R0007	FÜHRERHAUSRÜCKWAND	
5	66108R0002	LÜFTERMOTOR		19	ZX150000110	ABLASSSTOPFEN	
6	66109R0015	PFC-INDUKTOR		20	66108R0025	TEMPERATURFÜHLER	
7	66108R0022	TEMPERATURFÜHLER		21	66109R0013	WÄRMEÜBERTRAGER TITANIUM	
8	66108R0021	TEMPERATURFÜHLER		22	66108R0024	TEMPERATURFÜHLER	
9	66109R0008	ABDECKUNG OBEN		23	66108R0019	DURCHFLOSSMESSER	
10	ZX136010024	ABFLUSSSCHLAUCH		24	66108R0023	TEMPERATURFÜHLER	
11	ZX136010023	WASSERDÜSE		25	ZX112600009	4-WEGE-VENTIL	
12	66109R0012	KOMPRESSOR		26	66108R0018	WASSERANSCHLUSS SET	
13	66109R0006	RECHTENPLATTE		27	ZX133020026	O-RING	

*** SIEHE ANMERKUNGSBLATT**

CODE **66109**

BESCHREIBUNG: **PRO ELYO INVERTER**

14	66108R0016	MANOMETER	28	* 66108R0026	1,2M ANSCHLUSSKABEL
28	* 66108R0027	10M ANSCHLUSSKABEL	30	ZX117100058	BASISPLATTE PCB
29	66109R0011	WINTERDECKEL			

CODE **66109**

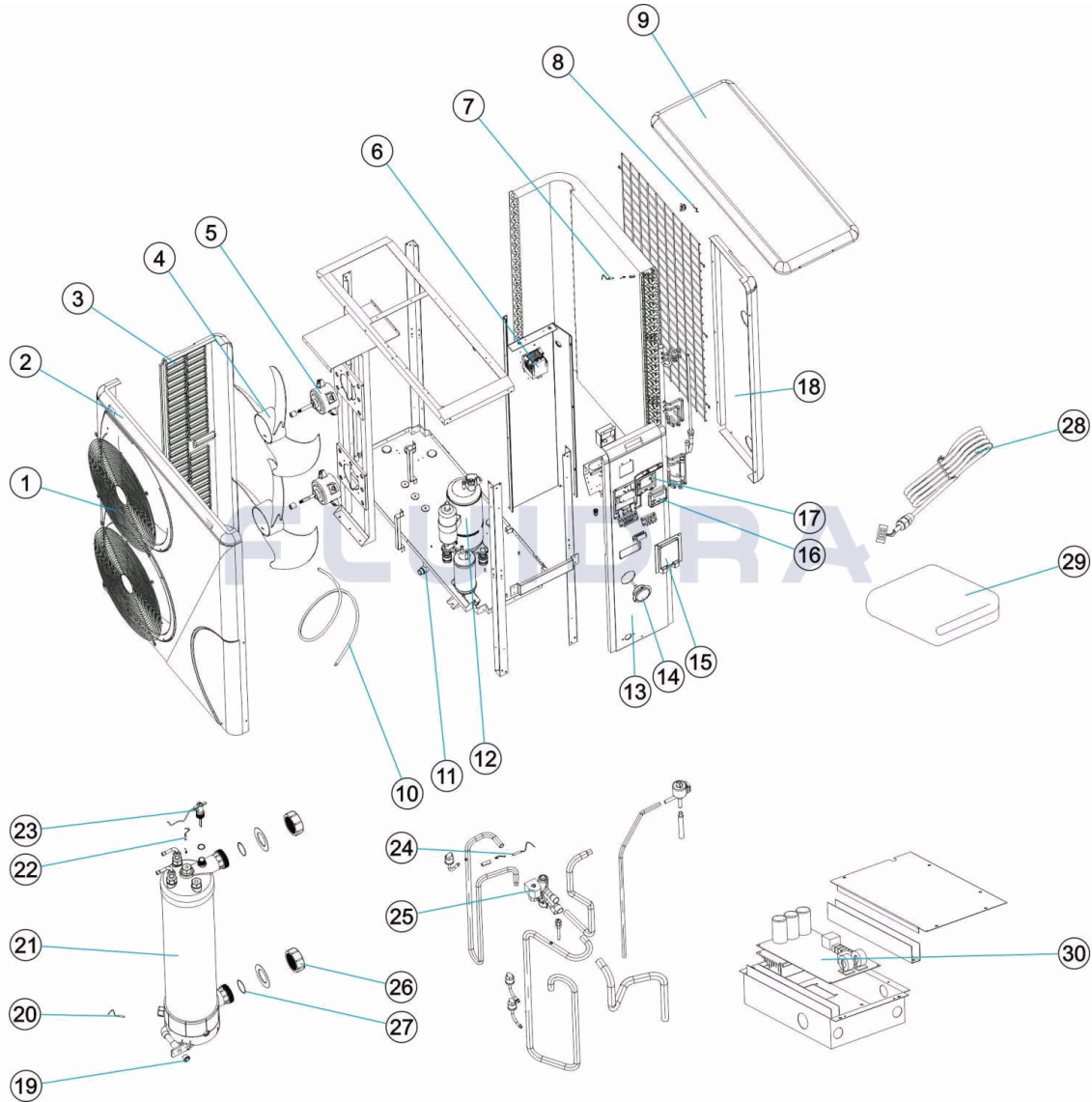
BESCHREIBUNG: **PRO ELYO INVERTER**

HINWEISE

POS	CODE	HINWEISE
28	66108R0026	FÜR: 1,2 METROS / 1,2 METERS
28	66108R0027	FÜR: 10 METROS / 10 METERS

CODIGO **66109**

DESCRIÇÃO: **PRO ELYO INVERTER**



PORTUGUES

POS	CODIGO	DESCRIÇÃO	QUANTIDADE	POS	CODIGO	DESCRIÇÃO	QUANTIDADE
1	ZX1081600122	GRELHA FRONTAL		15	66109R0009	COBERTURA TERMINAL	
2	66109R0005	PAINEL FRONTAL		16	66108R0020	CONTROLADOR	
3	66109R0010	PAINEL ESQUERDO		17	66108R0017	CAIXA DE CONTROLE IMPERMEÁVEL	
4	66108R0003	PÁS VENTILADOR		18	66109R0007	PAINEL TRASEIRO	
5	66108R0002	MOTOR VENTILADOR		19	ZX150000110	TAMPÃO PURGA	
6	66109R0015	INDUCTOR DE PFC		20	66108R0025	SENSOR DE TEMPERATURA	
7	66108R0022	SENSOR DE TEMPERATURA		21	66109R0013	PERMUTADOR DE TITÂNIO	
8	66108R0021	SENSOR DE TEMPERATURA		22	66108R0024	SENSOR DE TEMPERATURA	
9	66109R0008	TAMPA SUPERIOR		23	66108R0019	FLUXO-ESTATO	
10	ZX136010024	MANGUEIRA DE DRENAGEM		24	66108R0023	SENSOR DE TEMPERATURA	
11	ZX136010023	BOCAL DE ÁGUA		25	ZX112600009	VALVULA 4 VIAS	
12	66109R0012	COMPRESSOR		26	66108R0018	CONJECTIVOS CONEXÃO DE ÁGUA	
13	66109R0006	PAINEL DIREITO		27	ZX133020026	JUNTA TÓRICA	

*** VEJA A FICHA DE OBSERVAÇÕES**

CODIGO 66109

DESCRIÇÃO: PRO ELYO INVERTER

14	66108R0016	MANOMETRO	28	* 66108R0026	1,2M CABO LIGAÇÃO
28	* 66108R0027	10M CABO LIGAÇÃO	30	ZX117100058	PLACA BASE PCB
29	66109R0011	COBERTURA DE INVERNO			

CODIGO **66109**DESCRIÇÃO: **PRO ELYO INVERTER****OBSERVACÕES**

POS	CODIGO	OBSERVACÕES
28	66108R0026	PARA: 1,2 METROS / 1,2 METERS
28	66108R0027	PARA: 10 METROS / 10 METERS