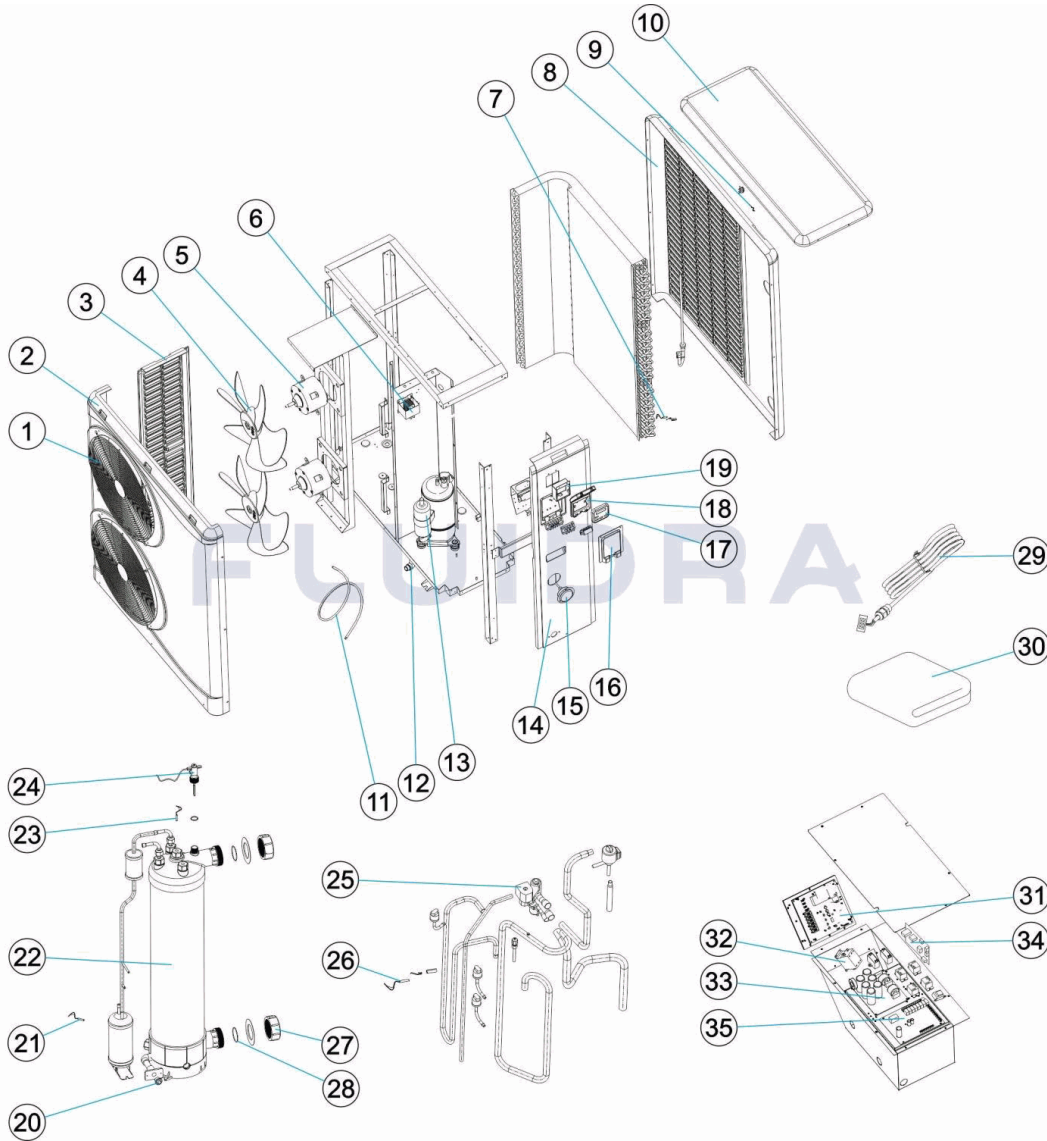


CODIGO **66110**

DESCRIPCION: **PRO ELYO INVERTER**



**ESPAÑOL**

POS	CODIGO	DESCRIPCION	CANTIDAD	POS	CODIGO	DESCRIPCION	CANTIDAD
1	ZX1081600122	REJILLA FRONTAL		15	66108R0016	MANOMETRO	
2	66109R0005	PANEL FRONTAL		16	66109R0009	CUBIERTA TERMINALES	
3	66109R0010	PANEL IZQUIERDO		17	66108R0020	CONTROLADOR	
4	66108R0003	ASPAS VENTILADOR		18	66108R0017	CAJA CONTROLADOR IMPERMEABLE	
5	66108R0002	MOTOR VENTILADOR		19	ZX108010018	CAJA DE CABLEADO	
6	66109R0015	BOBINA PFC		20	ZX150000110	TAPON PURGA	
7	66108R0022	SENSOR DE TEMPERATURA		21	66108R0025	SENSOR DE TEMPERATURA	
8	66109R0007	PANEL TRASERO		22	66110R0013	INTERCAMBIADOR DE TITANIO	
9	66108R0021	SENSOR DE TEMPERATURA		23	66108R0024	SENSOR DE TEMPERATURA	
10	66109R0008	TAPA SUPERIOR		24	66108R0019	FLUJOSTATO	
11	ZX136010024	MANGUERA DE DRENAJE		25	ZX121000009	VALVULA DE 4 VIAS	
12	ZX136010023	BOQUILLA DE AGUA		26	66108R0023	SENSOR DE TEMPERATURA	
13	66110R0012	COMPRESOR		27	66108R0018	KIT DE CONEXIÓN AGUA	

CODIGO **66110**

DESCRIPCION: **PRO ELYO INVERTER**

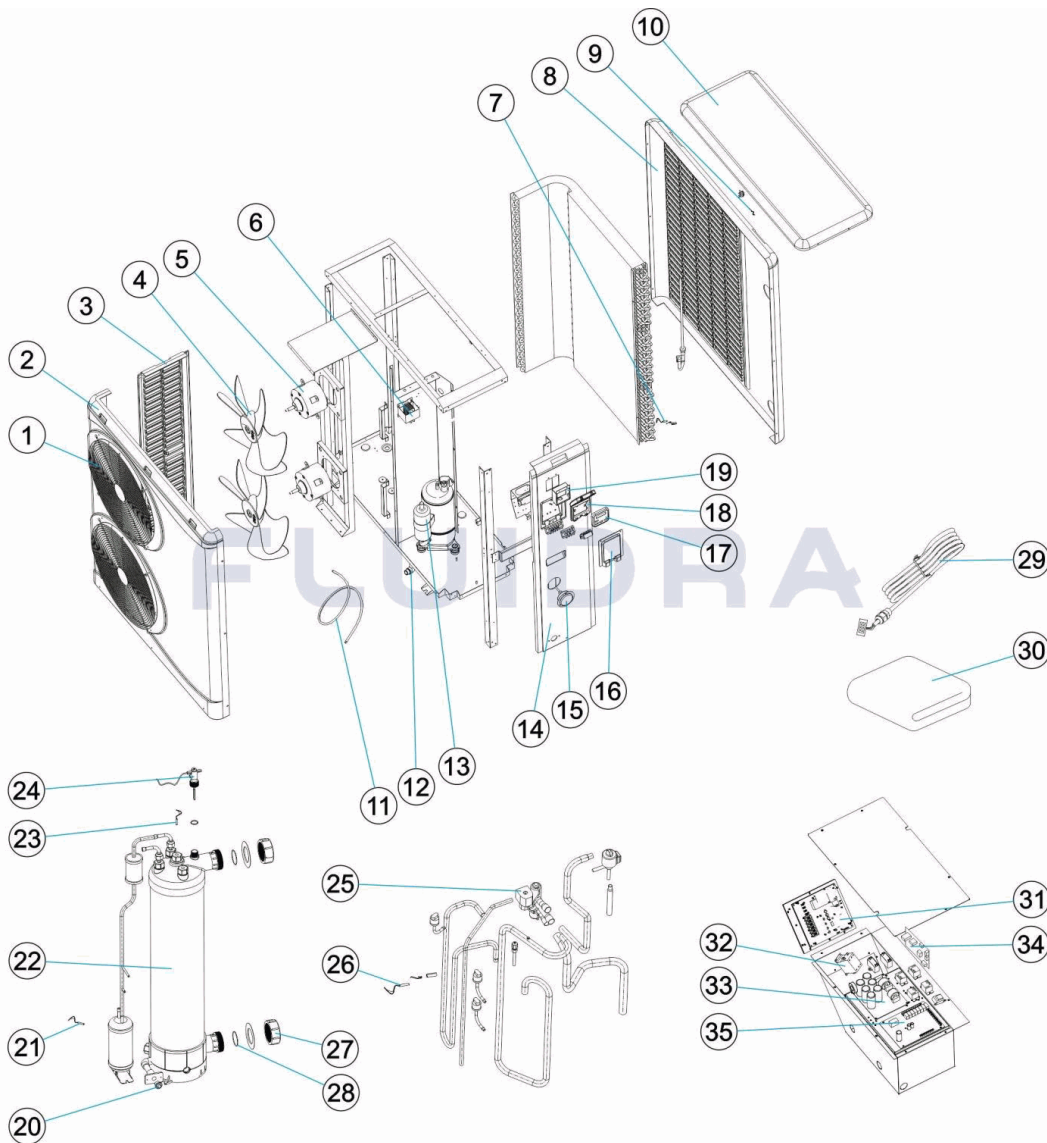
14	66109R0006	PANEL DERECHO	28	ZX133020026	JUNTA TORICA
29	* 66108R0026	1,2M CABLE CONEXIÓN	32	66110R0028	CONTACTOR AC
29	* 66108R0027	10M CABLE CONEXIÓN	33	66110R0033	PLACA ALIMENTACION
30	66109R0011	CUBIERTA DE INVIERNO	34	66110R0030	CONECTOR
31	66110R0032	MÓDULO IPM	35	66110R0031	MODULO DE CONTROL

CODIGO **66110**DESCRIPCION: **PRO ELYO INVERTER****OBSERVACIONES**

POS	CODIGO	OBSERVACIONES
29	66108R0026	PARA: 1,2 METROS / 1,2 METERS
29	66108R0027	PARA: 10 METROS / 10 METROS

CODE **66110**

DESCRIPTION: **PRO ELYO INVERTER**



**FRANCAIS**

POS	CODE	DESCRIPTION	QUANTITE	POS	CODE	DESCRIPTION	QUANTITE
1	ZX1081600122	GRILLE FRONTALE		15	66108R0016	MANOMETRE	
2	66109R0005	PANNEAU AVANT		16	66109R0009	COUVERCLE TERMINAL	
3	66109R0010	PANNEAU GAUCHE		17	66108R0020	CONTRÔLEUR	
4	66108R0003	PALES VENTILATEUR		18	66108R0017	BOÎTIER CONTRÔLEUR ÉTANCHE	
5	66108R0002	MOTEUR VENTILATEUR		19	ZX108010018	BOÎTE DE CÂBLAGE	
6	66109R0015	INDUCTEUR PFC		20	ZX150000110	BOUCHON PURGE	
7	66108R0022	CAPTEUR TEMPÉRATURE		21	66108R0025	CAPTEUR TEMPÉRATURE	
8	66109R0007	PANNEAU ARRIÈRE		22	66110R0013	ÉCHANGEUR EN TITANE	
9	66108R0021	CAPTEUR TEMPÉRATURE		23	66108R0024	CAPTEUR TEMPÉRATURE	
10	66109R0008	COUVERCLE SUPÉRIEUR		24	66108R0019	CONTROLEUR DE DEBIT	
11	ZX136010024	TUYAU DE DRAINAGE		25	ZX121000009	VANNE 4 VOIES	
12	ZX136010023	BUSE D'EAU		26	66108R0023	CAPTEUR TEMPÉRATURE	
13	66110R0012	COMPRESSEUR		27	66108R0018	ENSEMBLES CONNEXION D'EAU	

**\* VOIR FICHE D'OBSERVATIONS**

CODE **66110**

DESCRIPTION: **PRO ELYO INVERTER**

14	66109R0006	PANNEAU DROIT	28	ZX133020026	JOINT TORIQUE
29	* 66108R0026	1,2M CABLE BRANCHEMENT	32	66110R0028	CONTACTEUR AC
29	* 66108R0027	10M CABLE BRANCHEMENT	33	66110R0033	PLAQUE ALIMENTATION
30	66109R0011	COUVERTURE D'HIVERNAGE	34	66110R0030	DOUILLE
31	66110R0032	MODULE IMP	35	66110R0031	MODULE DE CONTRÔLE

CODE **66110**

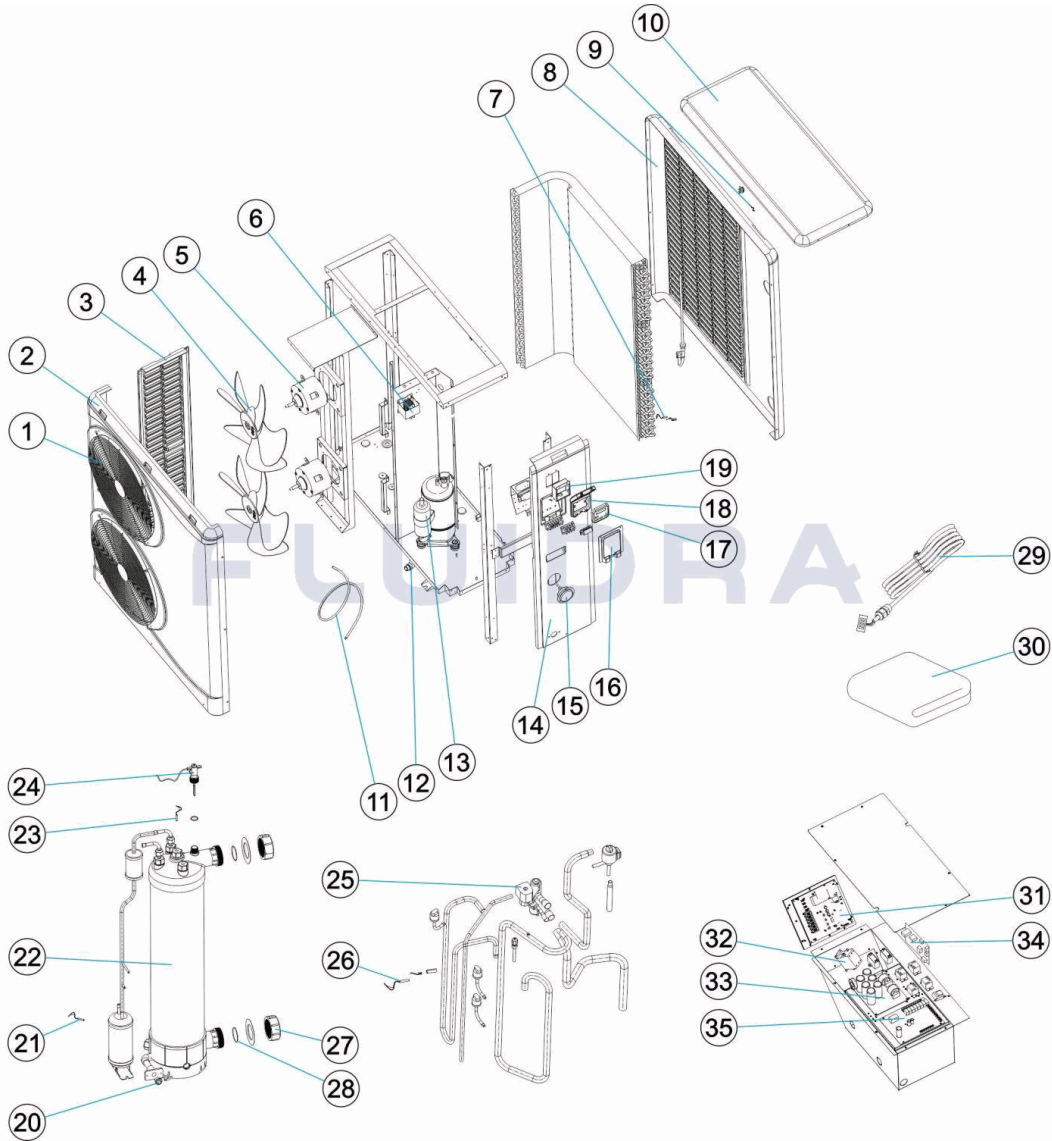
DESCRIPTION: **PRO ELYO INVERTER**

**OBSERVATIONS**

POS	CODE	OBSERVATIONS
29	66108R0026	POUR: 1,2 METROS / 1,2 METERS
29	66108R0027	POUR: 10 METROS / 10 METROS

CODE **66110**

DESCRIPTION: **PRO ELYO INVERTER**



**ENGLISH**

POS	CODE	DESCRIPTION	QUANTITY	POS	CODE	DESCRIPTION	QUANTITY
1	ZX1081600122	FRONT GRILL		15	66108R0016	PRESSURE GAUGE	
2	66109R0005	FRONT PANEL		16	66109R0009	TERMINAL BLOCKS PLASTIC COVER	
3	66109R0010	LEFT SIDE PANEL		17	66108R0020	CONTROLLER	
4	66108R0003	FAN BLADE		18	66108R0017	WATERPROOF CONTROLLER BOX	
5	66108R0002	FAN MOTOR		19	ZX108010018	WIRING BOX	
6	66109R0015	PFC INDUCTOR		20	ZX150000110	DRAIN PLUG	
7	66108R0022	TEMPERATURE SENSOR		21	66108R0025	TEMPERATURE SENSOR	
8	66109R0007	BACK PANEL		22	66110R0013	TITANIUM HEAT EXCHANGER	
9	66108R0021	TEMPERATURE SENSOR		23	66108R0024	TEMPERATURE SENSOR	
10	66109R0008	TOP COVER		24	66108R0019	WATER FLOW SWITCH	
11	ZX136010024	DRAIN HOSE		25	ZX121000009	4-WAY VALVE	
12	ZX136010023	WATER NOZZLE		26	66108R0023	TEMPERATURE SENSOR	
13	66110R0012	COMPRESSOR		27	66108R0018	WATER CONNECTION SETS	

**\* SEE OBSERVATIONS SHEET**

CODE                    **66110**

DESCRIPTION: **PRO ELYO INVERTER**

14	66109R0006	RIGHT SIDE PANEL	28	ZX133020026	O' RING
29	* 66108R0026	1,2M CONNEXION CABLE	32	66110R0028	AC CONTACTOR
29	* 66108R0027	10M CONNEXION CABLE	33	66110R0033	POWER BOARD
30	66109R0011	WINTER COVER	34	66110R0030	CONNECTOR
31	66110R0032	IPM MODULE	35	66110R0031	CONTROL MODULE

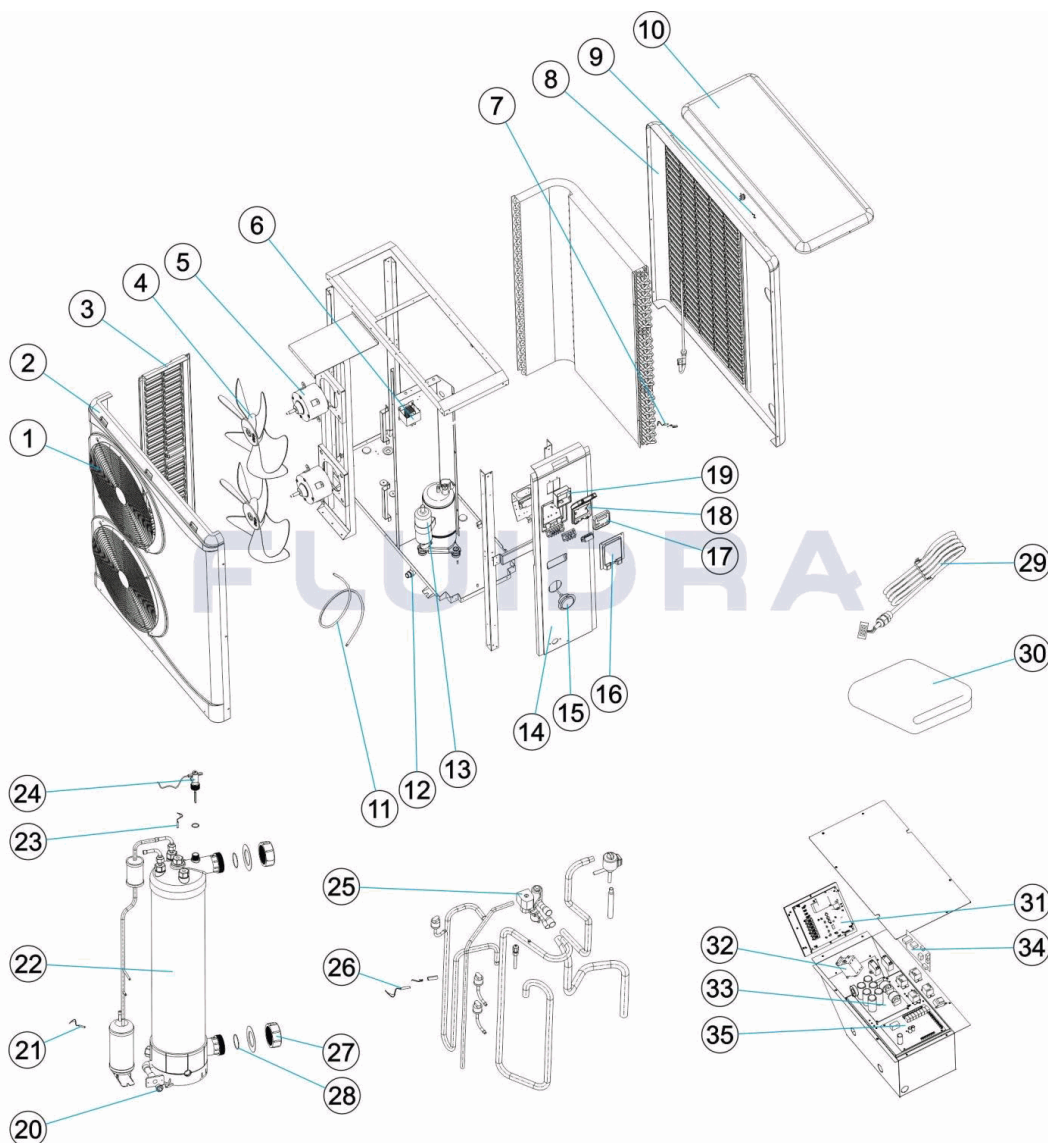


CODE **66110**DESCRIPTION: **PRO ELYO INVERTER****OBSERVATIONS**

POS	CODE	OBSERVATIONS
29	66108R0026	FOR: 1,2 METROS / 1,2 METERS
29	66108R0027	FOR: 10 METROS / 10 METROS

CODICE **66110**

DESCRIZIONE: **PRO ELYO INVERTER**



**ITALIANO**

POS	CODICE	DESCRIZIONE	QUANTITA'	POS	CODICE	DESCRIZIONE	QUANTITA'
1	ZX1081600122	GRIGLIA FRONTALE		15	66108R0016	MANOMETRO	
2	66109R0005	PANNELLO FRONTALE		16	66109R0009	COPERCHIO TERMINALE	
3	66109R0010	PANNELLO SINISTRO		17	66108R0020	CONTROLLATORE	
4	66108R0003	PALE VENTILATORE		18	66108R0017	SCATOLA CONTROLLO IMPERMEABILE	
5	66108R0002	MOTORE VENTOLA		19	ZX108010018	SCATOLA DI CABLAGGIO	
6	66109R0015	INDUTTORE PFC		20	ZX150000110	TAPPO SPURGO	
7	66108R0022	SENSORE DI TEMPERATURA		21	66108R0025	SENSORE DI TEMPERATURA	
8	66109R0007	PANNELLO INDIETRO		22	66110R0013	INTERCAMBIATORE IN TITANIO	
9	66108R0021	SENSORE DI TEMPERATURA		23	66108R0024	SENSORE DI TEMPERATURA	
10	66109R0008	COPERCHIO SUPERIORE		24	66108R0019	FLUSSOSTATO	
11	ZX136010024	TUBO DI SCARICO		25	ZX121000009	VALVOLA A 4 VIE	
12	ZX136010023	UGELLO DELL'ACQUA		26	66108R0023	SENSORE DI TEMPERATURA	
13	66110R0012	COMPRESSORE		27	66108R0018	SET CONNESSIONE DELL'ACQUA	

**\* SI FACCIA RIFERIMENTO AL FOGLIO DELLE OSSERVAZIONI**

CODICE            **66110**

DESCRIZIONE: **PRO ELYO INVERTER**

14	66109R0006	PANNELLO DESTRO	28	ZX133020026	O-RING
29	* 66108R0026	1,2M CAVO COLLEGAMENTO	32	66110R0028	TELERUTTORE AC
29	* 66108R0027	10M CAVO COLLEGAMENTO	33	66110R0033	PLACCA D'ALIMENTAZIONE
30	66109R0011	COPERTA DI INVERNO	34	66110R0030	CONNETTORE
31	66110R0032	MODULO IPM	35	66110R0031	MODULO DI CONTROLLO

CODICE **66110**

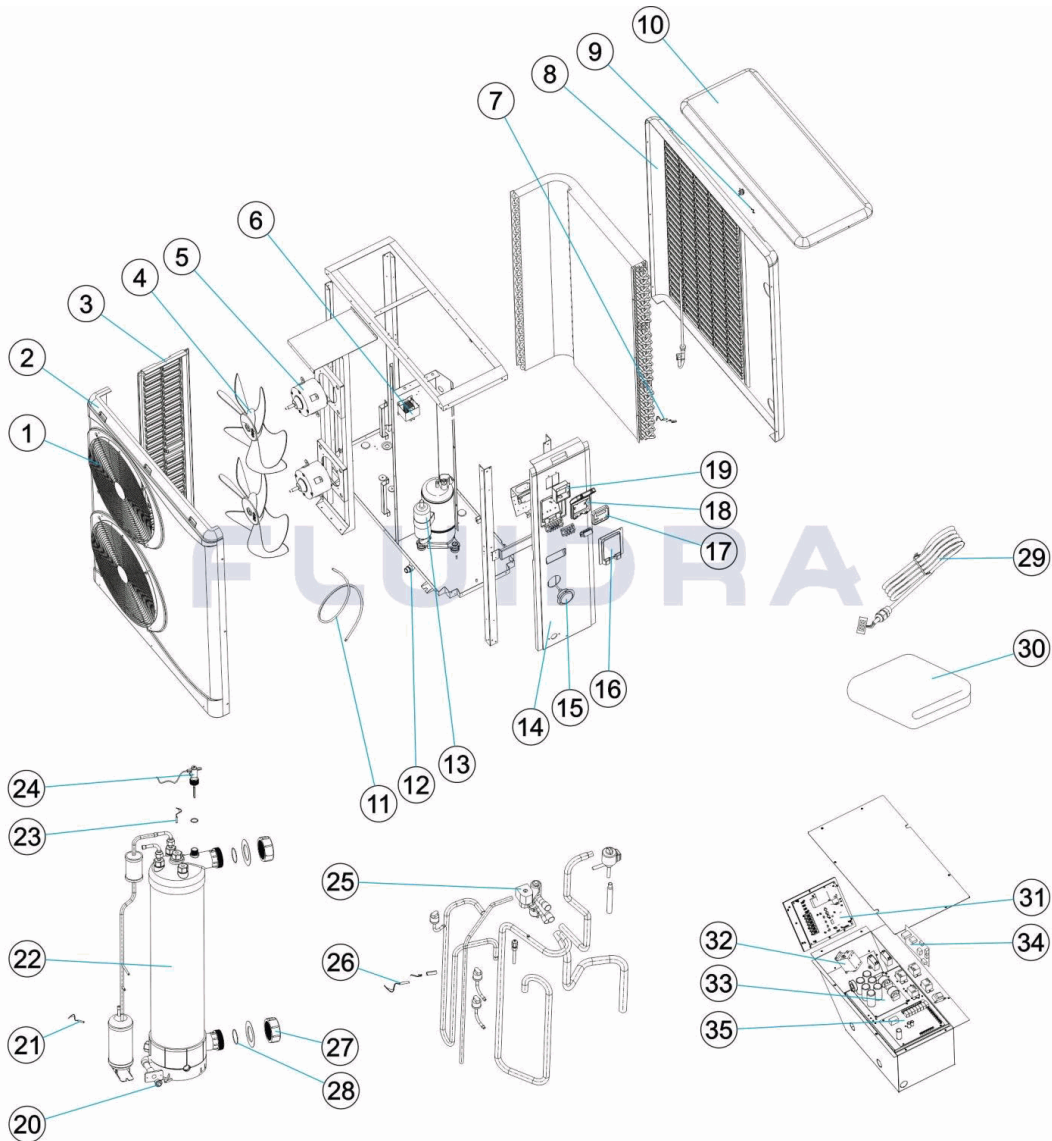
DESCRIZIONE: **PRO ELYO INVERTER**

**OSSERVAZIONI**

POS	CODICE	OSSERVAZIONI
29	66108R0026	PER: 1,2 METROS / 1,2 METERS
29	66108R0027	PER: 10 METROS / 10 METROS

CODE **66110**

BESCHREIBUNG: **PRO ELYO INVERTER**



**DEUTSCH**

POS	CODE	BESCHREIBUNG	MENGE	POS	CODE	BESCHREIBUNG	MENGE
1	ZX1081600122	FRONTGITTER		15	66108R0016	MANOMETER	
2	66109R0005	FRONTPLATTE		16	66109R0009	ANSCHLUSSABDECKUNG	
3	66109R0010	LINKENPLATTE		17	66108R0020	STEUERUNG	
4	66108R0003	ROTORBLÄTTER VENTILATOR		18	66108R0017	WASSERDICHTHE STEUERUNGSBOX	
5	66108R0002	LÜFTERMOTOR		19	ZX108010018	WIRING BOX	
6	66109R0015	PFC-INDUKTOR		20	ZX150000110	ABLASSSTOPFEN	
7	66108R0022	TEMPERATURFÜHLER		21	66108R0025	TEMPERATURFÜHLER	
8	66109R0007	FÜHRERHAUSRÜCKWAND		22	66110R0013	WÄRMEÜBERTRAGER TITANIUM	
9	66108R0021	TEMPERATURFÜHLER		23	66108R0024	TEMPERATURFÜHLER	
10	66109R0008	ABDECKUNG OBEN		24	66108R0019	DURCHFLUSSMESSER	
11	ZX136010024	ABFLUSSSCHLAUCH		25	ZX121000009	4-WEGE-VENTIL	
12	ZX136010023	WASSERDÜSE		26	66108R0023	TEMPERATURFÜHLER	
13	66110R0012	KOMPRESSOR		27	66108R0018	WASSERANSCHLUSS SET	

\* SIEHE ANMERKUNGSBLATT

CODE **66110**

BESCHREIBUNG: **PRO ELYO INVERTER**

14	66109R0006	RECHTENPLATTE	28	ZX133020026	O-RING
29	* 66108R0026	1,2M ANSCHLUSSKABEL	32	66110R0028	AC SCHÜTZ
29	* 66108R0027	10M ANSCHLUSSKABEL	33	66110R0033	VERSORGUNGSPLATINE
30	66109R0011	WINTERDECKEL	34	66110R0030	STECKKUPPLUNG
31	66110R0032	MODUL IMP	35	66110R0031	MODUL BEDIENUNG

CODE **66110**

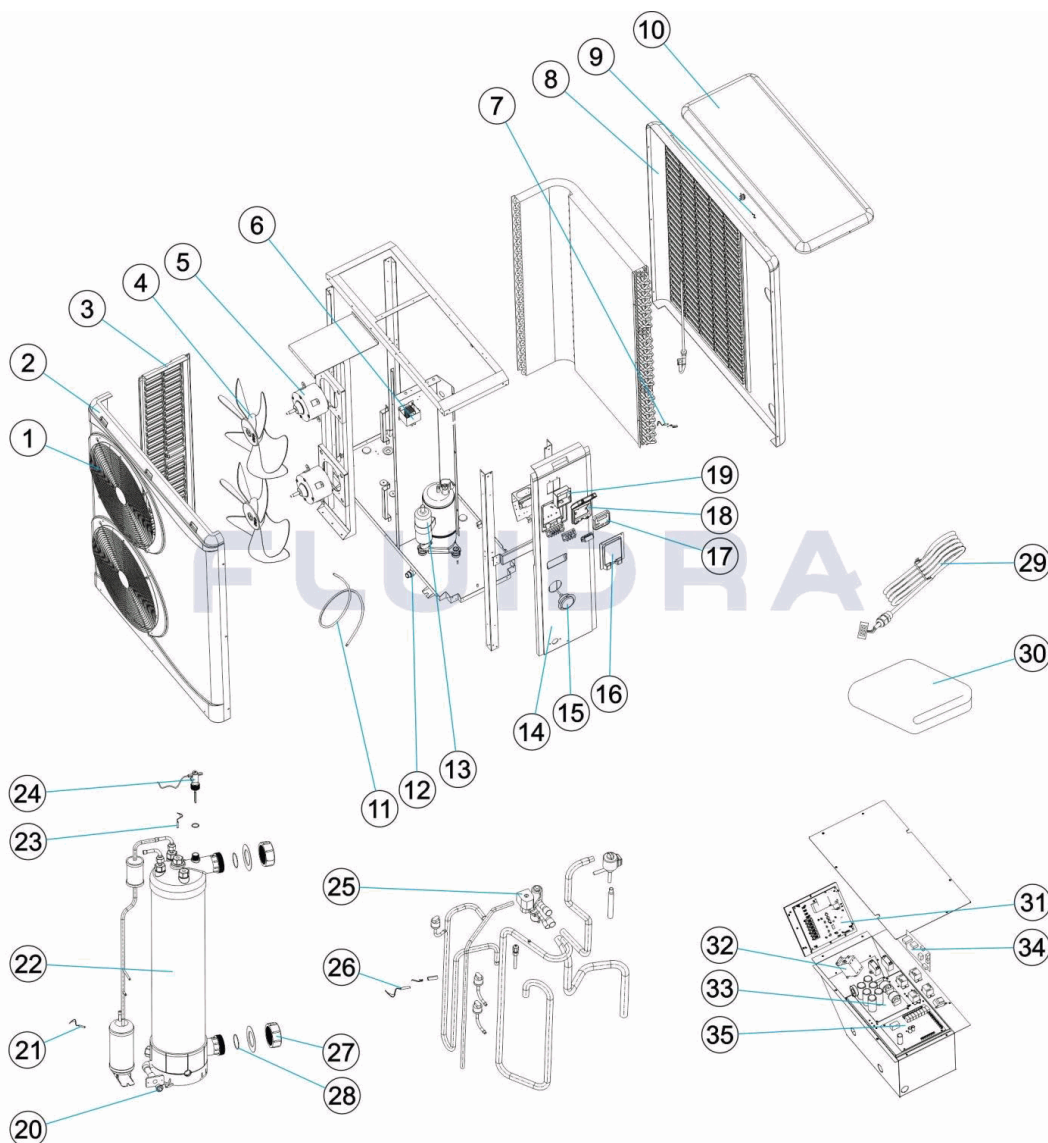
BESCHREIBUNG: **PRO ELYO INVERTER**

**HINWEISE**

POS	CODE	HINWEISE
29	66108R0026	FÜR: 1,2 METROS / 1,2 METERS
29	66108R0027	FÜR: 10 METROS / 10 METROS

CODIGO **66110**

DESCRIÇÃO: **PRO ELYO INVERTER**



**PORTUGUES**

POS	CODIGO	DESCRIÇÃO	QUANTIDADE	POS	CODIGO	DESCRIÇÃO	QUANTIDADE
1	ZX1081600122	GRELHA FRONTAL		15	66108R0016	MANOMETRO	
2	66109R0005	PAINEL FRONTAL		16	66109R0009	COBERTURA TERMINAL	
3	66109R0010	PAINEL ESQUERDO		17	66108R0020	CONTROLADOR	
4	66108R0003	PÁS VENTILADOR		18	66108R0017	CAIXA DE CONTROLE IMPERMEÁVEL	
5	66108R0002	MOTOR VENTILADOR		19	ZX108010018	CAIXA DE LIGAÇÕES	
6	66109R0015	INDUCTOR DE PFC		20	ZX150000110	TAMPÃO PURGA	
7	66108R0022	SENSOR DE TEMPERATURA		21	66108R0025	SENSOR DE TEMPERATURA	
8	66109R0007	PAINEL TRASEIRO		22	66110R0013	PERMUTADOR DE TITÂNIO	
9	66108R0021	SENSOR DE TEMPERATURA		23	66108R0024	SENSOR DE TEMPERATURA	
10	66109R0008	TAMPA SUPERIOR		24	66108R0019	FLUXO-ESTATO	
11	ZX136010024	MANGUEIRA DE DRENAGEM		25	ZX121000009	VÁLVULA DE 4 VIAS	
12	ZX136010023	BOCAL DE ÁGUA		26	66108R0023	SENSOR DE TEMPERATURA	
13	66110R0012	COMPRESSOR		27	66108R0018	CONJECTIVOS CONEXÃO DE ÁGUA	

**\* VEJA A FICHA DE OBSERVAÇÕES**



CODIGO **66110**

DESCRIÇÃO: **PRO ELYO INVERTER**

14	66109R0006	PAINEL DIREITO	28	ZX133020026	JUNTA TÓRICA
29	* 66108R0026	1,2M CABO LIGAÇÃO	32	66110R0028	CONTATOR AC
29	* 66108R0027	10M CABO LIGAÇÃO	33	66110R0033	PLACA ALIMENTAÇÃO
30	66109R0011	COBERTURA DE INVERNO	34	66110R0030	LIGAÇÃO
31	66110R0032	MODULO IMP	35	66110R0031	MÓDULO DE COMANDO

CODIGO **66110**DESCRIÇÃO: **PRO ELYO INVERTER****OBSERVACÕES**

POS	CODIGO	OBSERVACÕES
29	66108R0026	PARA: 1,2 METROS / 1,2 METERS
29	66108R0027	PARA: 10 METROS / 10 METROS