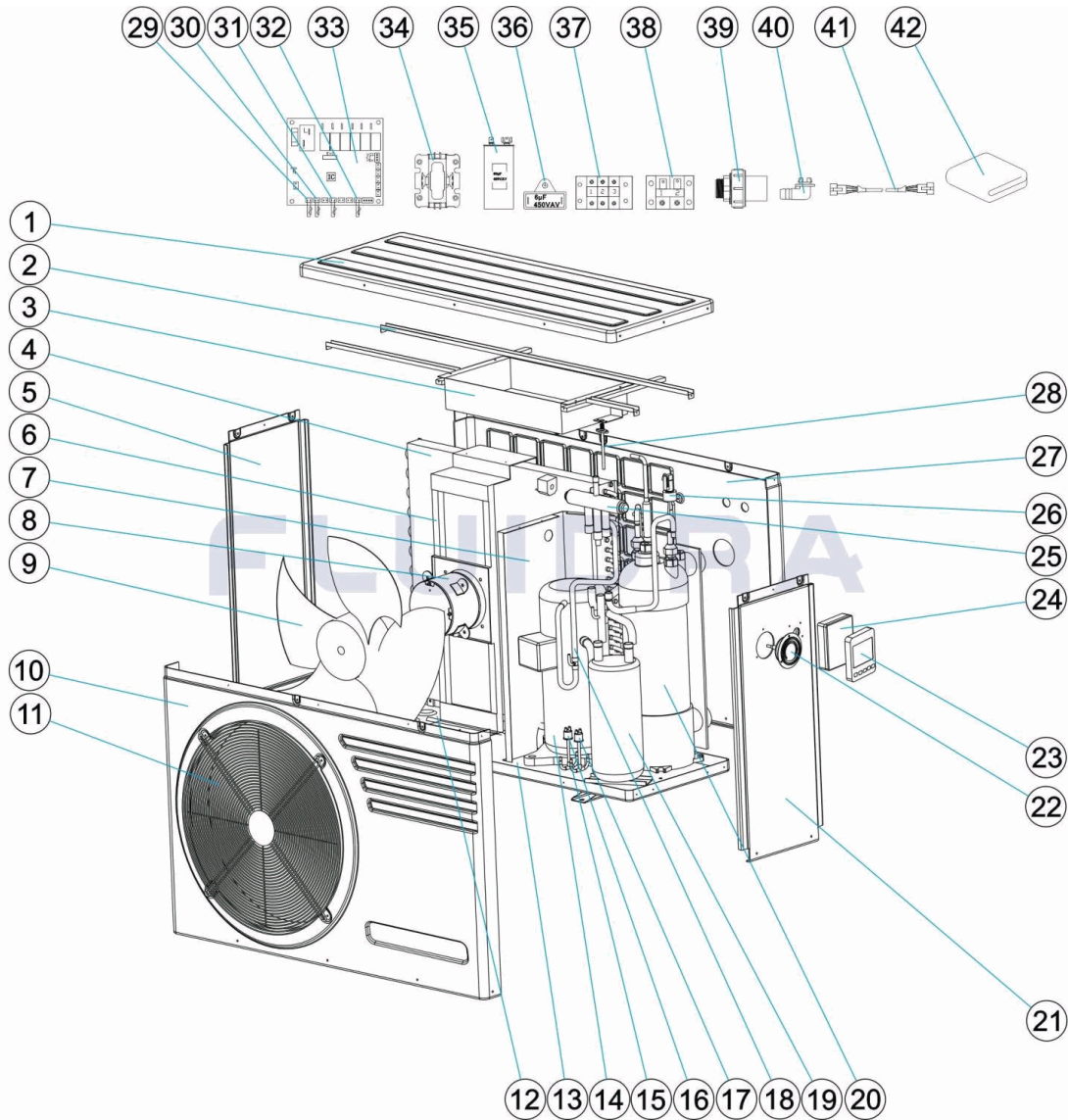


CODIGO **66073, 66073-MOD**

DESCRIPCION: **BOMBA DE CALOR EVOLINE 20**



**ESPAÑOL**

POS	CODIGO	DESCRIPCION	CANTIDAD	POS	CODIGO	DESCRIPCION	CANTIDAD
1	66073R0001	TAPA SUPERIOR ABS		15	66069R0015	TUBERÍAS PARA PRESOSTATO	
2	66073R0002	SOPORTE PARA TAPA SUPERIOR		16	66069R0031	INTERRUPTOR ALTA PRESIÓN	
3	66073R0003	CAJA ELÉCTRICA		17	66069R0032	INTERRUPTOR BAJA PRESIÓN	
4	66073R0004	EVAPORADOR		18	66073R0019	TUBERÍAS PARA INTERCAMBIADOR	
5	66073R0005	PANEL IZQUIERDO ABS		19	66073R0043	SEPARADOR GAS-LÍQUIDO	
6	66073R0006	SOPORTE PARA VENTILADOR MOTOR		20	66073R0016	INTERCAMBIADOR DE TITANIO	
7	66073R0007	PANEL PARTICIÓN		21	66073R0017	PANEL DERECHO ABS	
8	66073R0008	MOTOR VENTILADOR		22	66069R0021	MANÓMETRO	
9	66073R0009	ASPAS VENTILADOR		23	* 66069R0018	CONTROLADOR PANTALLA LED (WIFI)	
10	66073R0010	PANEL FRONTAL ABS		23	* 66069R0218	CONTROLADOR PANTALLA LED (MODBUS)	
11	66073R0011	REJILLA VENTILADOR		24	66069R0040	CAJA PROTECCIÓN PARA PANTALLA	
12	66069R0039	RESISTENCIA DESHIELO		25	66073R0013	VÁLVULA DE 4 VÍAS	
13	66073R0014	PANEL INFERIOR		26	66069R0030	FLUJOSTATO	

**\* VER HOJA DE OBSERVACIONES**

CODIGO **66073, 66073-MOD**

DESCRIPCION: **BOMBA DE CALOR EVOLINE 20**

14	66073R0012	COMPRESOR	27	66073R0020	PANEL POSTERIOR ABS
28	66069R0022	VÁLVULA PARA VACIADO/RELLENO	35	66073R0024	CONDENSADOR COMPRESOR (80UF)
29	* 66069R0033	SENSOR TEMP (L=1200 COBRE C-ROJO)	36	66073R0025	CONDENSADOR VENTILADOR (6UF)
30	* 66069R0034	SENSOR TEMP (L=1200 COBRE C-NEGRO)	37	66074R0128	TERMINAL DE POTENCIA
31	* 66069R0036	SENSOR TEMP (L=800 PLAST. C-BLANCO)	38	66069R0029	TERMINAL PARA BOMBA
32	* 66069R0035	SENSOR TEMP (L=1200 COBRE C-VERDE)	39	66069R0041	CONECTOR DE AGUA
33	* 66069R0023	PLACA BASE PCB (WIFI)	40	66069R0042	PURGA AGUA CONDENSACIÓN
33	* 66069R0223	PLACA BASE PCB (MODBUS)	41	66069R0038	EXTENSIÓN CABLE PARA PANTALLA (10M
34	66070R0027	RELÉ PARA COMPRESOR	42	ACXXPR1004	FUNDA HIBERNAL EV17-20/AC17-20/ST15

CODIGO **66073, 66073-MOD**

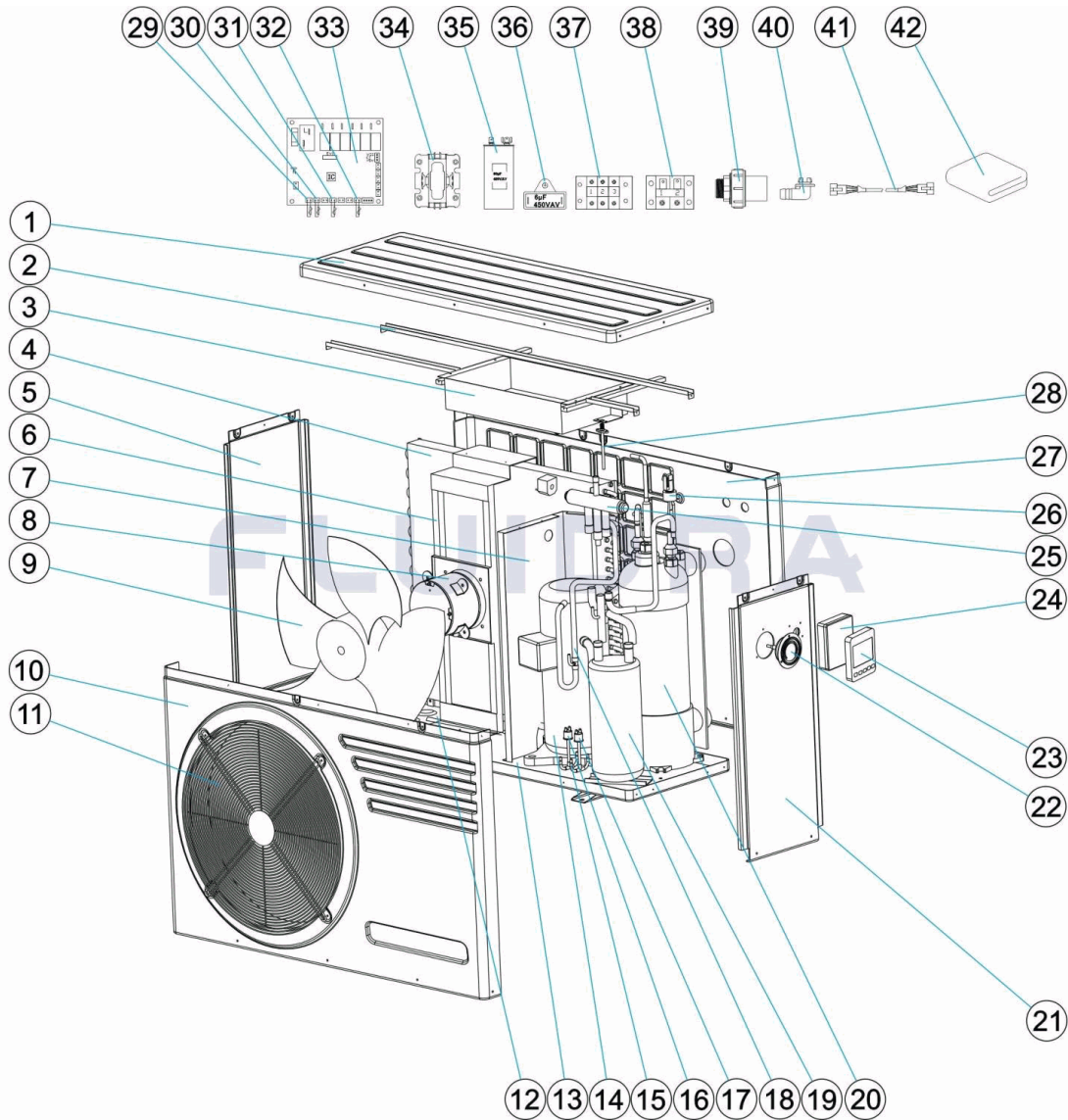
DESCRIPCION: **BOMBA DE CALOR EVOLINE 20**

## OBSERVACIONES

POS	CODIGO	OBSERVACIONES
23	66069R0018	PARA: 66073
23	66069R0218	PARA: 66073-MOD
29	66069R0033	PARA: ENTRADA AGUA / INLET WATER
30	66069R0034	PARA: SALIDA AGUA / OUTLET WATER
31	66069R0036	PARA: AIRE / AIR
32	66069R0035	PARA: EVAPORADOR / EVAPORATOR
33	66069R0023	PARA: 66073
33	66069R0223	PARA: 66073-MOD

CODE 66073, 66073-MOD

DESCRIPTION: POMPE À CHALEUR EVOLINE 20



FRANCAIS

POS	CODE	DESCRIPTION	QUANTITE	POS	CODE	DESCRIPTION	QUANTITE
1	66073R0001	COUVERCLE SUPÉRIEUR ABS		15	66069R0015	TUYAUTERIES POUR PRESSOSTAT	
2	66073R0002	SUPPORT POUR COUVERCLE SUPÉRIEUR		16	66069R0031	INTERRUPTEUR HAUTE PRESSION	
3	66073R0003	BOÎTIER ÉLECTRIQUE		17	66069R0032	INTERRUPTEUR BASSE PRESSION	
4	66073R0004	ÉVAPORATEUR		18	66073R0019	TUYAUTERIES POUR ÉCHANGEUR	
5	66073R0005	PANNEAU GAUCHE ABS		19	66073R0043	SÉPARATEUR GAZ/LIQUIDE	
6	66073R0006	SUPPORT POUR VENTILATEUR MOTEUR		20	66073R0016	ÉCHANGEUR EN TITANE	
7	66073R0007	PANNEAU SÉPARATION		21	66073R0017	PANNEAU DROIT ABS	
8	66073R0008	MOTEUR VENTILATEUR		22	66069R0021	MANOMÈTRE	
9	66073R0009	PALES VENTILATEUR		23	* 66069R0018	CONTRÔLEUR ÉCRAN LED (WIFI)	
10	66073R0010	PANNEAU FRONTAL ABS		23	* 66069R0218	CONTRÔLEUR ÉCRAN LED (MODBUS)	
11	66073R0011	GRILLE VENTILATEUR		24	66069R0040	BOÎTIER PROTECTION POUR ÉCRAN	
12	66069R0039	RÉSISTANCE DÉGEL		25	66073R0013	VANNE 4 VOIES	
13	66073R0014	PANNEAU INFÉRIEUR		26	66069R0030	FLUXOSTAT	

\* VOIR FICHE D'OBSERVATIONS

CODE **66073, 66073-MOD**

DESCRIPTION: **POMPE À CHALEUR EVOLINE 20**

14	66073R0012	COMPRESSEUR	27	66073R0020	PANNEAU POSTÉRIEUR ABS
28	66069R0022	VANNE DE VIDANGE/REPLISSAGE	35	66073R0024	CONDENSATEUR COMPRESSEUR (80UF)
29	* 66069R0033	CAPTEUR TEMPÉRATURE	36	66073R0025	CONDENSATEUR VENTILATEUR (6UF)
30	* 66069R0034	CAPTEUR TEMPÉRATURE	37	66074R0128	BORNE DE PUISSANCE
31	* 66069R0036	CAPTEUR TEMPÉRATURE	38	66069R0029	BORNE POUR POMPE
32	* 66069R0035	CAPTEUR TEMPÉRATURE	39	66069R0041	RACCORD EAU
33	* 66069R0023	PLAQUE BASE PCB (WIFI)	40	66069R0042	PURGE EAU CONDENSATION
33	* 66069R0223	PLAQUE BASE PCB (MODBUS)	41	66069R0038	RALLONGE CÂBLE POUR ÉCRAN (10 M)
34	66070R0027	RELAIS POUR COMPRESSEUR	42	ACXXPR1004	COUVERTURE D'HIVERNAGE EV17-20/AC1

CODE **66073, 66073-MOD**

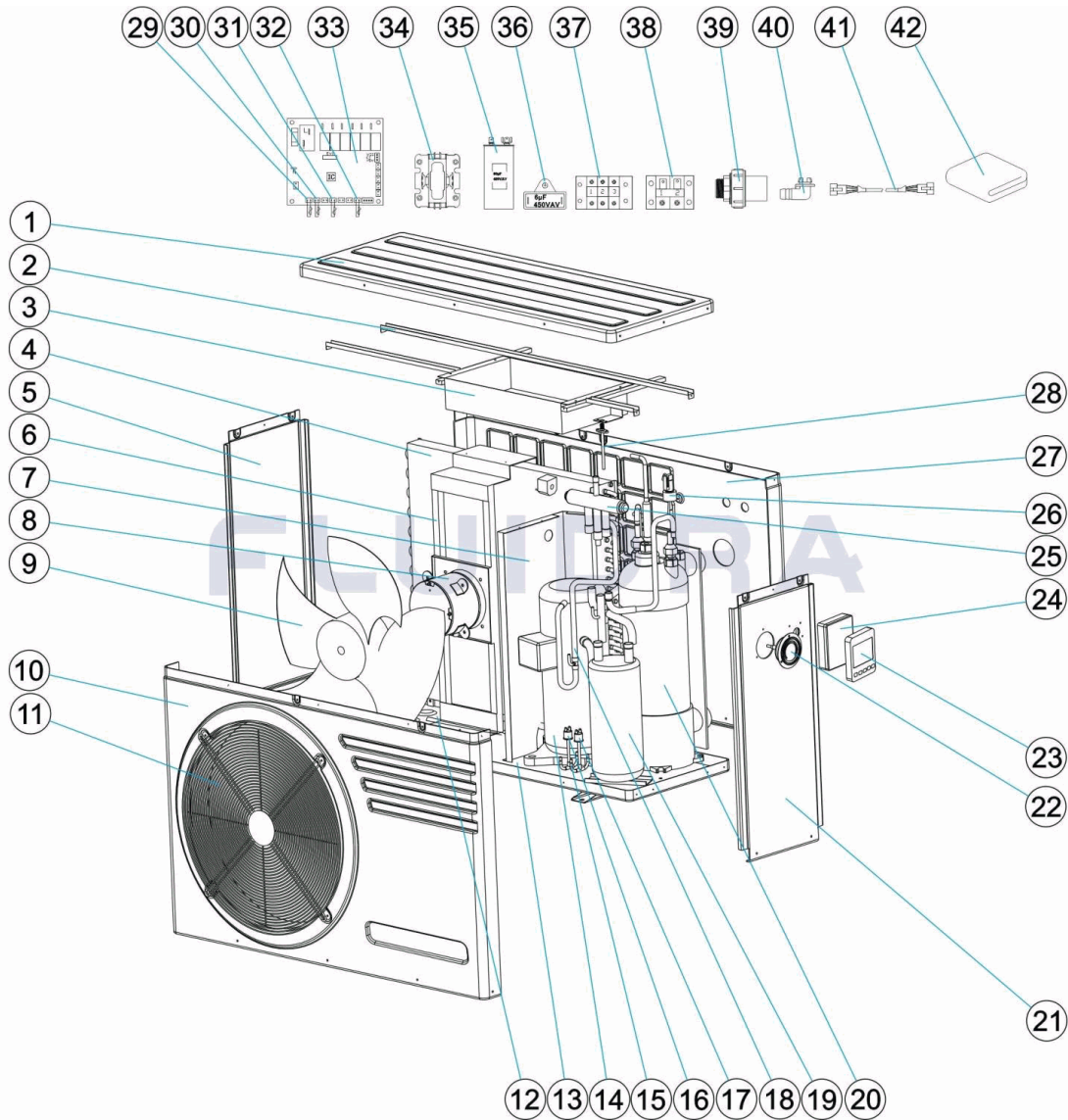
DESCRIPTION: **POMPE À CHALEUR EVOLINE 20**

## OBSERVATIONS

POS	CODE	OBSERVATIONS
23	66069R0018	POUR: 66073
23	66069R0218	POUR: 66073-MOD
29	66069R0033	POUR: ENTRADA AGUA / INLET WATER
30	66069R0034	POUR: SALIDA AGUA / OUTLET WATER
31	66069R0036	POUR: AIRE / AIR
32	66069R0035	POUR: EVAPORADOR / EVAPORATOR
33	66069R0023	POUR: 66073
33	66069R0223	POUR: 66073-MOD

CODE **66073, 66073-MOD**

DESCRIPTION: **HEAT PUMP EVOLINE 20**



**ENGLISH**

POS	CODE	DESCRIPTION	QUANTITY	POS	CODE	DESCRIPTION	QUANTITY
1	66073R0001	TOP CAP ABS		15	66069R0015	PIPEWORK FOR PRESSURE SWITCH	
2	66073R0002	TOP CAP HOLDER		16	66069R0031	HIGH PRESSURE SWITCH	
3	66073R0003	ELECTRIC BOX		17	66069R0032	LOW PRESSURE SWITCH	
4	66073R0004	EVAPORATOR		18	66073R0019	PIPEWORK FOR HEAT EXCHANGER	
5	66073R0005	LEFT PANEL ABS		19	66073R0043	GAS-LIQUID SEPARATOR	
6	66073R0006	FAN MOTOR HOLDER		20	66073R0016	TITANIUM HEAT EXCHANGER	
7	66073R0007	PARTITION PANEL		21	66073R0017	RIGHT PANEL ABS	
8	66073R0008	FAN MOTOR		22	66069R0021	MANOMETER	
9	66073R0009	FAN BLADE		23	* 66069R0018	LED DISPLAY CONTROLLER (WIFI)	
10	66073R0010	FRONT PANEL ABS		23	* 66069R0218	LED DISPLAY CONTROLLER (MODBUS)	
11	66073R0011	FAN GUARD		24	66069R0040	PROTECTION BOX FOR DISPLAY	
12	66069R0039	BOTTOM HEATER FOR EVAPORATOR		25	66073R0013	4-WAY VALVE	
13	66073R0014	BOTTOM PANEL		26	66069R0030	WATER FLOW SWITCH	

**\* SEE OBSERVATIONS SHEET**

CODE **66073, 66073-MOD**

DESCRIPTION: **HEAT PUMP EVOLINE 20**

14	66073R0012	COMPRESSOR	27	66073R0020	BACK PANEL ABS
28	66069R0022	VALVE FOR VACUUM & FILLING	35	66073R0024	COMPRESSOR CAPACITOR (80UF)
29	* 66069R0033	TEMP SENSOR (L=1200 COPPER C-RED)	36	66073R0025	FAN CAPACITOR (6UF)
30	* 66069R0034	TEMP SENSOR (L=1200 COPPER C-BLACK)	37	66074R0128	POWER TERMINAL
31	* 66069R0036	TEMP SENSOR (L=800 PLASTIC C-WHITE)	38	66069R0029	PUMP TERMINAL
32	* 66069R0035	TEMP SENSOR (L=1200 COPPER C-GREEN)	39	66069R0041	WATER CONNECTOR
33	* 66069R0023	CONTROLLER MAIN PCB (WIFI)	40	66069R0042	WATER CONDENSATION PURGE
33	* 66069R0223	CONTROLLER MAIN PCB (MODBUS)	41	66069R0038	EXTENSION CABLE FOR DISPLAY (10M)
34	66070R0027	RELAY / CONTACTOR FOR COMPRESSOR	42	ACXXPR1004	WINTER COVER EV17-20/AC17-20/ST15



CODE **66073, 66073-MOD**

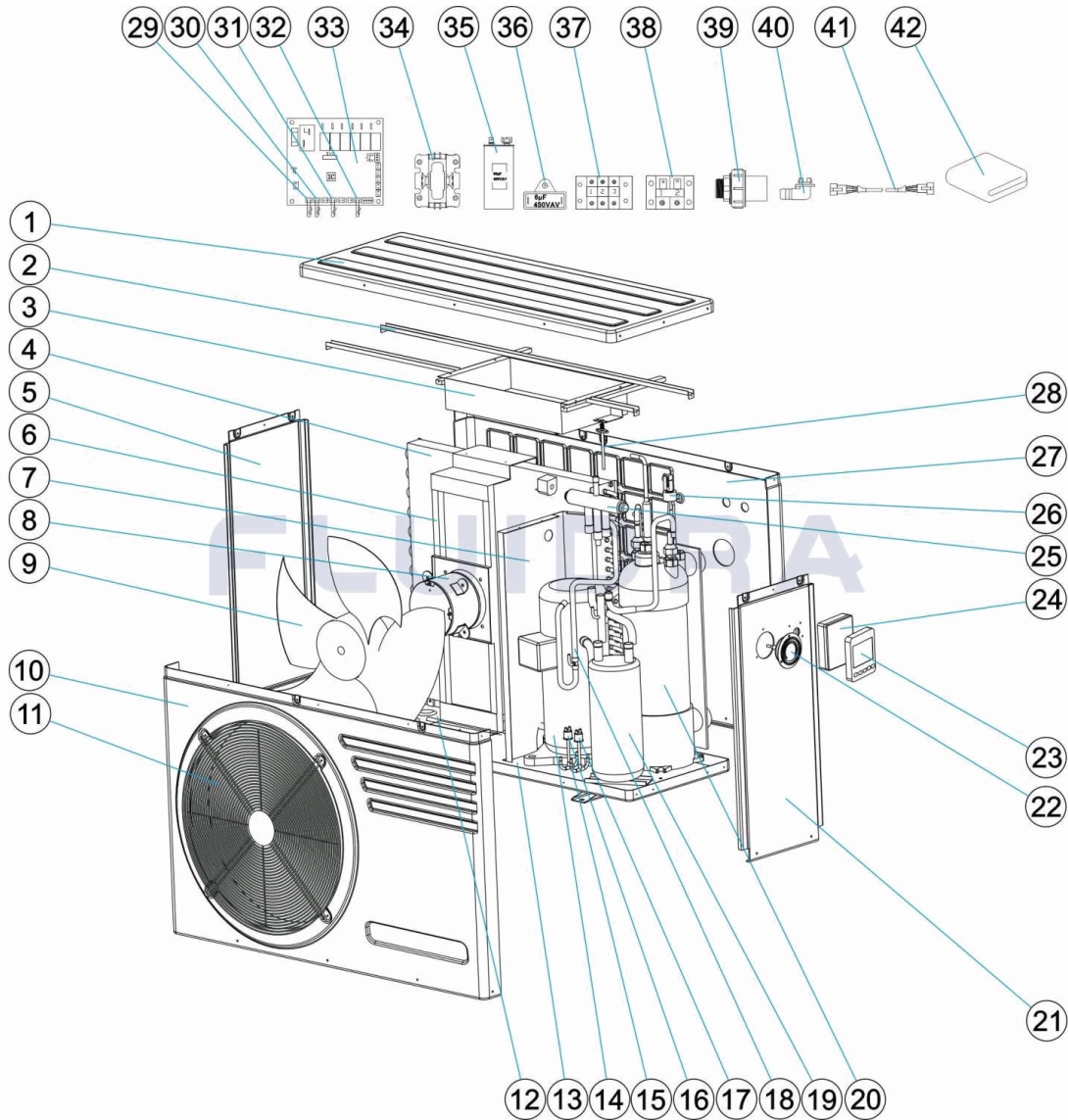
DESCRIPTION: **HEAT PUMP EVOLINE 20**

## OBSERVATIONS

POS	CODE	OBSERVATIONS
23	66069R0018	FOR: 66073
23	66069R0218	FOR: 66073-MOD
29	66069R0033	FOR: ENTRADA AGUA / INLET WATER
30	66069R0034	FOR: SALIDA AGUA / OUTLET WATER
31	66069R0036	FOR: AIRE / AIR
32	66069R0035	FOR: EVAPORADOR / EVAPORATOR
33	66069R0023	FOR: 66073
33	66069R0223	FOR: 66073-MOD

CODICE **66073, 66073-MOD**

DESCRIZIONE: **POMPA DI CALORE EVOLINE 20**



**ITALIANO**

POS	CODICE	DESCRIZIONE	QUANTITA'	POS	CODICE	DESCRIZIONE	QUANTITA'
1	66073R0001	COPERCHIO SUPERIORE ABS		15	66069R0015	TUBAZIONE PER PRESSOSTATO	
2	66073R0002	SUPPORTO PER COPERCHIO SUPERIORE		16	66069R0031	INTERRUTTORE ALTA PRESSIONE	
3	66073R0003	SCATOLA DI DERIVAZIONE		17	66069R0032	INTERRUTTORE BASSA PRESSIONE	
4	66073R0004	EVAPORATORE		18	66073R0019	TUBAZIONE PER INTERCAMBIATORE	
5	66073R0005	PANNELLO SINISTRO ABS		19	66073R0043	SEPARATORE GAS-LIQUIDO	
6	66073R0006	SUPPORTO PER VENTILATORE MOTORE		20	66073R0016	INTERCAMBIATORE IN TITANIO	
7	66073R0007	PANNELLO PARTIZIONE		21	66073R0017	PANNELLO DESTRO ABS	
8	66073R0008	MOTORE VENTILATORE		22	66069R0021	MANOMETRO	
9	66073R0009	PALE VENTILATORE		23	* 66069R0018	CONTROLLER SCHERMO LED (WIFI)	
10	66073R0010	PANNELLO FRONTALE ABS		23	* 66069R0218	CONTROLLER SCHERMO LED (MODBUS)	
11	66073R0011	GRIGLIA VENTILATORE		24	66069R0040	SCATOLA PROTETTIVA PER SCHERMO	
12	66069R0039	RESISTENZA DISGELO		25	66073R0013	VALVOLA A 4 VIE	
13	66073R0014	PANNELLO INFERIORE		26	66069R0030	FLUSSOSTATO	

**\* SI FACCIA RIFERIMENTO AL FOGLIO DELLE OSSERVAZIONI**

CODICE **66073, 66073-MOD**

DESCRIZIONE: **POMPA DI CALORE EVOLINE 20**

14	66073R0012	COMPRESSORE	27	66073R0020	PANNELLO POSTERIORE ABS
28	66069R0022	VALVOLA DI SVUOTAMENTO/RIEMPIMENTO	35	66073R0024	CONDENSATORE COMPRESSORE (80UF)
29	* 66069R0033	SENSORE TEMPERATURA	36	66073R0025	CONDENSATORE VENTILATORE (6UF)
30	* 66069R0034	SENSORE TEMPERATURA	37	66074R0128	TERMINALE DI POTENZA
31	* 66069R0036	SENSORE TEMPERATURA	38	66069R0029	TERMINALE PER POMPA
32	* 66069R0035	SENSORE TEMPERATURA	39	66069R0041	CONNETTORE ACQUA
33	* 66069R0023	SCHEDA BASE PCB (WIFI)	40	66069R0042	SCARICO ACQUA CONDENSAZIONE
33	* 66069R0223	SCHEDA BASE PCB (MODBUS)	41	66069R0038	ESTENSIONE CAVO PER SCHERMO (10M)
34	66070R0027	RELÈ PER COMPRESSORE	42	ACXXPR1004	COPERTA DI INVERNO EV17-20/AC17-20/S

**CODICE 66073, 66073-MOD**

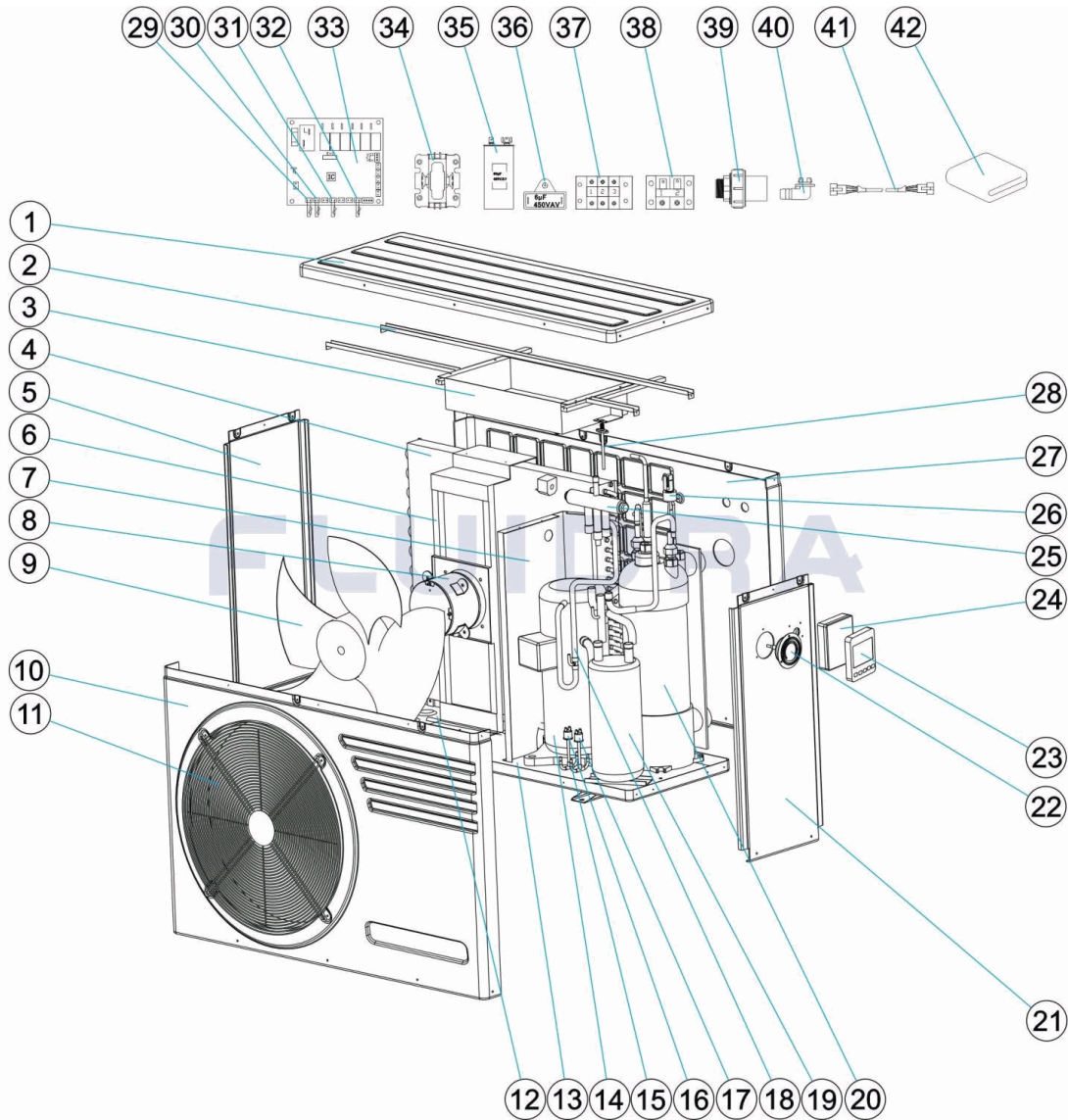
**DESCRIZIONE: POMPA DI CALORE EVOLINE 20**

## OSSERVAZIONI

POS	CODICE	OSSERVAZIONI
23	66069R0018	PER: 66073
23	66069R0218	PER: 66073-MOD
29	66069R0033	PER: ENTRADA AGUA / INLET WATER
30	66069R0034	PER: SALIDA AGUA / OUTLET WATER
31	66069R0036	PER: AIRE / AIR
32	66069R0035	PER: EVAPORADOR / EVAPORATOR
33	66069R0023	PER: 66073
33	66069R0223	PER: 66073-MOD

CODE **66073, 66073-MOD**

BESCHREIBUNG: **WÄRMEPUMPE EVOLINE 20**



**DEUTSCH**

POS	CODE	BESCHREIBUNG	MENGE	POS	CODE	BESCHREIBUNG	MENGE
1	66073R0001	ABDECKUNG OBEN ABS		15	66069R0015	VERROHRUNG DRUCKSCHALTER	
2	66073R0002	HALTERUNG FÜR ABDECKUNG OBEN		16	66069R0031	SCHALTER HOCHDRUCK	
3	66073R0003	ELEKTRISCHER SCHRANK		17	66069R0032	SCHALTER TIEFDRUCK	
4	66073R0004	VERDAMPFER		18	66073R0019	VERROHRUNG WÄRMEÜBERTRAGER	
5	66073R0005	PLATTE LINKS ABS		19	66073R0043	GAS-FLÜSSIGKEITS-ABTRENNER	
6	66073R0006	HALTERUNG MOTORVENTILATOR		20	66073R0016	WÄRMEÜBERTRAGER TITANIUM	
7	66073R0007	ZWISCHENPLATTE		21	66073R0017	PLATTE RECHTS ABS	
8	66073R0008	VENTILATORMOTOR		22	66069R0021	MANOMETER	
9	66073R0009	ROTORBLÄTTER VENTILATOR		23	* 66069R0018	DRIVER LED DISPLAY (WIFI)	
10	66073R0010	FRONTPLATTE ABS		23	* 66069R0218	DRIVER LED DISPLAY (MODBUS)	
11	66073R0011	VENTILATORGITTER		24	66069R0040	SCHUTZSCHRANK FÜR DISPLAY	
12	66069R0039	HEIZSTAB ENTEISER		25	66073R0013	4-WEGE-VENTIL	
13	66073R0014	UNTERPLATTE		26	66069R0030	DURCHFLUSSMESSER	

\* SIEHE ANMERKUNGSBLATT

CODE **66073, 66073-MOD**

BESCHREIBUNG: **WÄRMEPUMPE EVOLINE 20**

14	66073R0012	KOMPRESSOR	27	66073R0020	PLATTE HINTEN ABS
28	66069R0022	VENTIL BEFÜLLUNG/ENTLEERUNG	35	66073R0024	KOMPRESSORKONDENSATOR (80 UF)
29	* 66069R0033	TEMPERATURFÜHLER	36	66073R0025	VENTILATORKONDENSATOR (6 UF)
30	* 66069R0034	TEMPERATURFÜHLER	37	66074R0128	ANSCHLUSS
31	* 66069R0036	TEMPERATURFÜHLER	38	66069R0029	ANSCHLUSS FÜR PUMPE
32	* 66069R0035	TEMPERATURFÜHLER	39	66069R0041	ANSCHLUSS WASSER
33	* 66069R0023	BASISPLATTE PCB (WIFI)	40	66069R0042	ABLASS KONDENSWASSER
33	* 66069R0223	BASISPLATTE PCB (MODBUS)	41	66069R0038	VERLÄNGERUNGSKABEL DISPLAY (10 M)
34	66070R0027	KOMPRESSORRELAIS	42	ACXXPR1004	WINTERDECKEL EV17-20/AC17-20/ST15

CODE **66073, 66073-MOD**

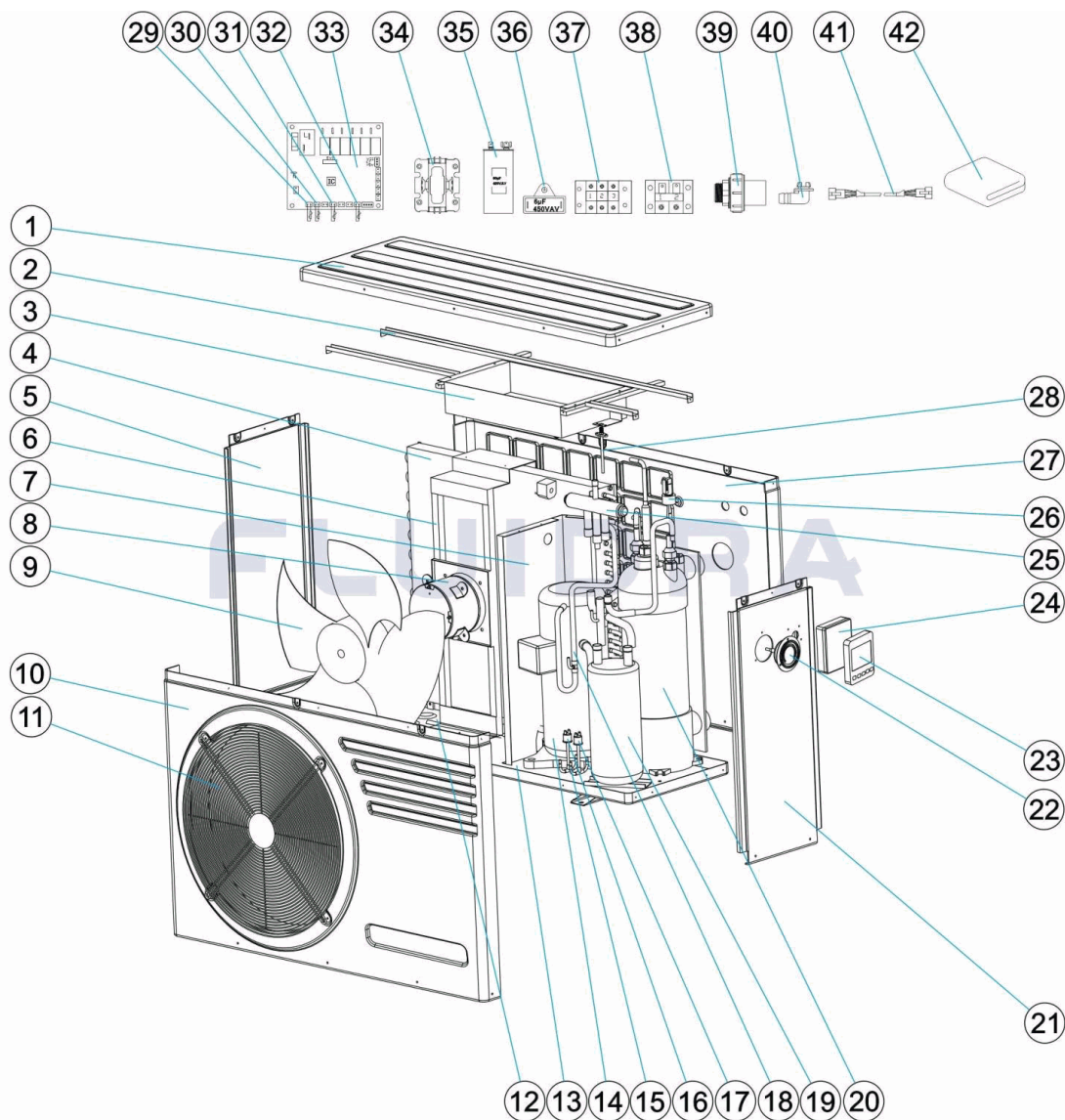
BESCHREIBUNG: **WÄRMEPUMPE EVOLINE 20**

## HINWEISE

POS	CODE	HINWEISE
23	66069R0018	FÜR: 66073
23	66069R0218	FÜR: 66073-MOD
29	66069R0033	FÜR: ENTRADA AGUA / INLET WATER
30	66069R0034	FÜR: SALIDA AGUA / OUTLET WATER
31	66069R0036	FÜR: AIRE / AIR
32	66069R0035	FÜR: EVAPORADOR / EVAPORATOR
33	66069R0023	FÜR: 66073
33	66069R0223	FÜR: 66073-MOD

CODIGO **66073, 66073-MOD**

DESCRIÇÃO: **BOMBA DE CALOR EVOLINE 20**



**PORTUGUES**

POS	CODIGO	DESCRIÇÃO	QUANTIDADE	POS	CODIGO	DESCRIÇÃO	QUANTIDADE
1	66073R0001	TAMPA SUPERIOR ABS		15	66069R0015	TUBAGENS PARA PRESSÓSTATO	
2	66073R0002	SUPORE PARA TAMPA SUPERIOR		16	66069R0031	INTERRUPTOR ALTA PRESSÃO	
3	66073R0003	CAIXA ELÉTRICA		17	66069R0032	INTERRUPTOR BAIXA PRESSÃO	
4	66073R0004	EVAPORADOR		18	66073R0019	TUBAGENS PARA PERMUTADOR	
5	66073R0005	PAINEL ESQUERDO ABS		19	66073R0043	SEPARADOR GÁS-LÍQUIDO	
6	66073R0006	SUPORE PARA VENTILADOR MOTOR		20	66073R0016	PERMUTADOR DE TITÂNIO	
7	66073R0007	PAINEL PARTIÇÃO		21	66073R0017	PAINEL DIREITO ABS	
8	66073R0008	MOTOR VENTILADOR		22	66069R0021	MANÓMETRO	
9	66073R0009	PÁS VENTILADOR		23	* 66069R0018	CONTROLADOR DE ECRÃ LED (WIFI)	
10	66073R0010	PAINEL FRONTAL ABS		23	* 66069R0218	CONTROLADOR DE ECRÃ LED (MODBUS)	
11	66073R0011	GRADE VENTILADOR		24	66069R0040	CAIXA PROTEÇÃO PARA ECRÃ	
12	66069R0039	RESISTÊNCIA DESCONGELAÇÃO		25	66073R0013	VÁLVULA DE 4 VIAS	
13	66073R0014	PAINEL INFERIOR		26	66069R0030	COMUTADOR DO CAUDAL DA ÁGUA	

**\* VEJA A FICHA DE OBSERVAÇÕES**



CODIGO **66073, 66073-MOD**

DESCRIÇÃO: **BOMBA DE CALOR EVOLINE 20**

14	66073R0012	COMPRESSOR	27	66073R0020	PAINEL POSTERIOR ABS
28	66069R0022	VÁLVULA PARA ESVAZIAR/ENCHER	35	66073R0024	CONDENSADOR COMPRESSOR (80UF)
29	* 66069R0033	SENSOR TEMPERATURA	36	66073R0025	CONDENSADOR VENTILADOR (6UF)
30	* 66069R0034	SENSOR TEMPERATURA	37	66074R0128	TERMINAL DE POTÊNCIA
31	* 66069R0036	SENSOR TEMPERATURA	38	66069R0029	TERMINAL PARA BOMBA
32	* 66069R0035	SENSOR TEMPERATURA	39	66069R0041	TOMADA DE ABASTECIMENTO DE ÁGUA
33	* 66069R0023	PLACA BASE PCB (WIFI)	40	66069R0042	PURGA ÁGUA CONDENSAÇÃO
33	* 66069R0223	PLACA BASE PCB (MODBUS)	41	66069R0038	EXTENSÃO CABO PARA ECRÃ (10M)
34	66070R0027	RELÉ PARA COMPRESSOR	42	ACXXPR1004	COBERTURA DE INVERNO EV17-20/AC17-

**CODIGO 66073, 66073-MOD**

**DESCRIÇÃO: BOMBA DE CALOR EVOLINE 20**

## OBSERVACÕES

POS	CODIGO	OBSERVACÕES
23	66069R0018	PARA: 66073
23	66069R0218	PARA: 66073-MOD
29	66069R0033	PARA: ENTRADA AGUA / INLET WATER
30	66069R0034	PARA: SALIDA AGUA / OUTLET WATER
31	66069R0036	PARA: AIRE / AIR
32	66069R0035	PARA: EVAPORADOR / EVAPORATOR
33	66069R0023	PARA: 66073
33	66069R0223	PARA: 66073-MOD