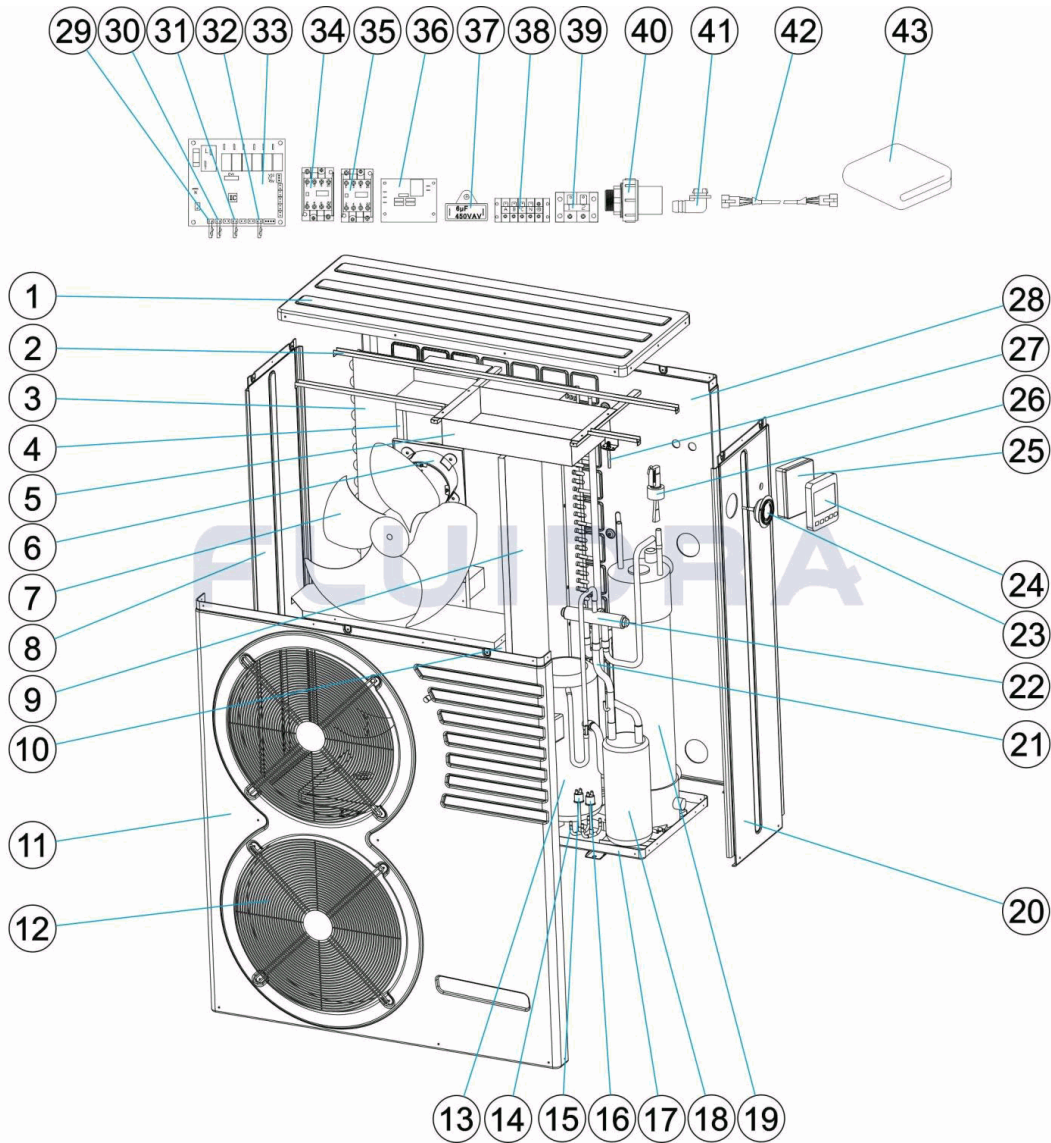


CODIGO **66075, 66075-MOD**

DESCRIPCION: **BOMBA DE CALOR EVOLINE 35M**



ESPAÑOL

POS	CODIGO	DESCRIPCION	CANTIDAD	POS	CODIGO	DESCRIPCION	CANTIDAD
1	66074R0001	TAPA SUPERIOR ABS		15	66069R0031	INTERRUPTOR ALTA PRESIÓN	
2	66074R0002	SOPORTE PARA TAPA SUPERIOR		16	66069R0032	INTERRUPTOR BAJA PRESIÓN	
3	66075R0004	EVAPORADOR		17	66074R0014	PANEL INFERIOR	
4	66075R0006	SOPORTE PARA VENTILADOR MOTOR		18	66073R0043	SEPARADOR GAS-LÍQUIDO	
5	66075R0003	CAJA ELÉCTRICA		19	66075R0016	INTERCAMBIADOR DE TITANIO	
6	66073R0008	MOTOR VENTILADOR		20	66075R0017	PANEL DERECHO ABS	
7	66073R0009	ASPAS VENTILADOR		21	66075R0019	TUBERÍAS PARA INTERCAMBIADOR	
8	66075R0005	PANEL IZQUIERDO ABS		22	66073R0013	VÁLVULA DE 4 VÍAS	
9	66075R0007	PANEL PARTICIÓN		23	66069R0021	MANÓMETRO	
10	66069R0039	RESISTENCIA DESHIELO		24	* 66069R0018	CONTROLADOR PANTALLA LED (WIFI)	
11	66075R0010	PANEL FRONTAL ABS		24	* 66069R0218	CONTROLADOR PANTALLA LED (MODBUS)	
12	66073R0011	REJILLA VENTILADOR		25	66069R0040	CAJA PROTECCIÓN PARA PANTALLA	
13	66075R0012	COMPRESOR		26	66069R0030	FLUJOSTATO	

* VER HOJA DE OBSERVACIONES

CODIGO **66075, 66075-MOD**

DESCRIPCION: **BOMBA DE CALOR EVOLINE 35M**

14	66069R0015	TUBERÍAS PARA PRESOSTATO	27	66069R0022	VÁLVULA PARA VACIADO/RELLENO
28	66075R0020	PANEL POSTERIOR ABS	36	66073R0037	PROTECCION DE FASES PARA PCB
29	* 66069R0033	SENSOR TEMP (L=1200 COBRE C-ROJO)	37	66073R0025	CONDENSADOR VENTILADOR (6UF)
30	* 66069R0034	SENSOR TEMP (L=1200 COBRE C-NEGRO)	38	66074R0028	TERMINAL DE POTENCIA
31	* 66069R0036	SENSOR TEMP (L=800 PLAST. C-BLANCO)	39	66069R0029	TERMINAL PARA BOMBA
32	* 66074R0035	SENSOR TEMP (L=2000 COBRE C-VERDE)	40	66069R0041	CONECTOR DE AGUA
33	* 66069R0023	PLACA BASE PCB (WIFI)	41	66069R0042	PURGA AGUA CONDENSACIÓN
33	* 66069R0223	PLACA BASE PCB (MODBUS)	42	66069R0038	EXTENSIÓN CABLE PARA PANTALLA (10M
34	66074R0027	RELÉ PARA COMPRESOR	43	ACXXPR1006	FUNDA HIBERNAL EV35/AC35/ST35
35	66070R0027	RELÉ PARA COMPRESOR			

CODIGO 66075, 66075-MOD

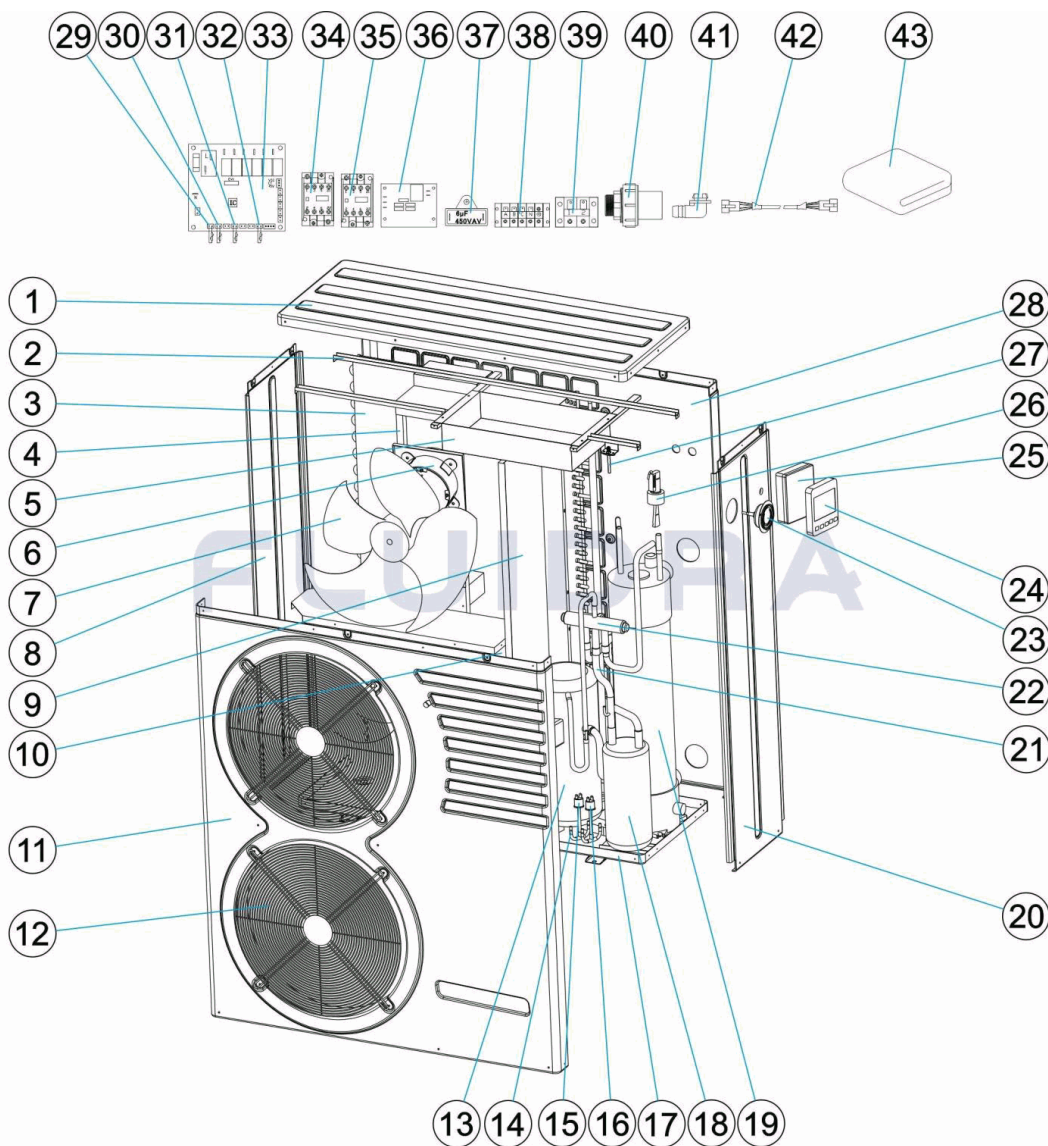
DESCRIPCION: BOMBA DE CALOR EVOLINE 35M

OBSERVACIONES

POS	CODIGO	OBSERVACIONES
24	66069R0018	PARA: 66075
24	66069R0218	PARA: 66075-MOD
29	66069R0033	PARA: ENTRADA AGUA / INLET WATER
30	66069R0034	PARA: SALIDA AGUA / OUTLET WATER
31	66069R0036	PARA: AIRE / AIR
32	66074R0035	PARA: EVAPORADOR / EVAPORATOR
33	66069R0023	PARA: 66075
33	66069R0223	PARA: 66075-MOD

CODE 66075, 66075-MOD

DESCRIPTION: POMPE À CHALEUR EVOLINE 35M



FRANCAIS

POS	CODE	DESCRIPTION	QUANTITE	POS	CODE	DESCRIPTION	QUANTITE
1	66074R0001	COUVERCLE SUPÉRIEUR ABS		15	66069R0031	INTERRUPTEUR HAUTE PRESSION	
2	66074R0002	SUPPORT POUR COUVERCLE SUPÉRIEUR		16	66069R0032	INTERRUPTEUR BASSE PRESSION	
3	66075R0004	ÉVAPORATEUR		17	66074R0014	PANNEAU INFÉRIEUR	
4	66075R0006	SUPPORT POUR VENTILATEUR MOTEUR		18	66073R0043	SÉPARATEUR GAZ/LIQUIDE	
5	66075R0003	BOÎTIER ÉLECTRIQUE		19	66075R0016	ÉCHANGEUR EN TITANE	
6	66073R0008	MOTEUR VENTILATEUR		20	66075R0017	PANNEAU DROIT ABS	
7	66073R0009	PALES VENTILATEUR		21	66075R0019	TUYAUTERIES POUR ÉCHANGEUR	
8	66075R0005	PANNEAU GAUCHE ABS		22	66073R0013	VANNE 4 VOIES	
9	66075R0007	PANNEAU SÉPARATION		23	66069R0021	MANOMÈTRE	
10	66069R0039	RÉSISTANCE DÉGEL		24	* 66069R0018	CONTRÔLEUR ÉCRAN LED (WIFI)	
11	66075R0010	PANNEAU FRONTAL ABS		24	* 66069R0218	CONTRÔLEUR ÉCRAN LED (MODBUS)	
12	66073R0011	GRILLE VENTILATEUR		25	66069R0040	BOÎTIER PROTECTION POUR ÉCRAN	
13	66075R0012	COMPRESSEUR		26	66069R0030	FLUXOSTAT	

* VOIR FICHE D'OBSERVATIONS

CODE **66075, 66075-MOD**

DESCRIPTION: **POMPE À CHALEUR EVOLINE 35M**

14	66069R0015	TUYAUTERIES POUR PRESSOSTAT	27	66069R0022	VANNE DE VIDANGE/REPLISSAGE
28	66075R0020	PANNEAU POSTÉRIEUR ABS	36	66073R0037	PROTECTION DE PHASES POUR PCB
29	* 66069R0033	CAPTEUR TEMPÉRATURE	37	66073R0025	CONDENSATEUR VENTILATEUR (6UF)
30	* 66069R0034	CAPTEUR TEMPÉRATURE	38	66074R0028	BORNE DE PUISSANCE
31	* 66069R0036	CAPTEUR TEMPÉRATURE	39	66069R0029	BORNE POUR POMPE
32	* 66074R0035	CAPTEUR TEMPÉRATURE	40	66069R0041	RACCORD EAU
33	* 66069R0023	PLAQUE BASE PCB (WIFI)	41	66069R0042	PURGE EAU CONDENSATION
33	* 66069R0223	PLAQUE BASE PCB (MODBUS)	42	66069R0038	RALLONGE CÂBLE POUR ÉCRAN (10 M)
34	66074R0027	RELAIS POUR COMPRESSEUR	43	ACXXPR1006	COUVERTURE D'HIVERNAGE EV35/AC35/5
35	66070R0027	RELAIS POUR COMPRESSEUR			

CODE **66075, 66075-MOD**

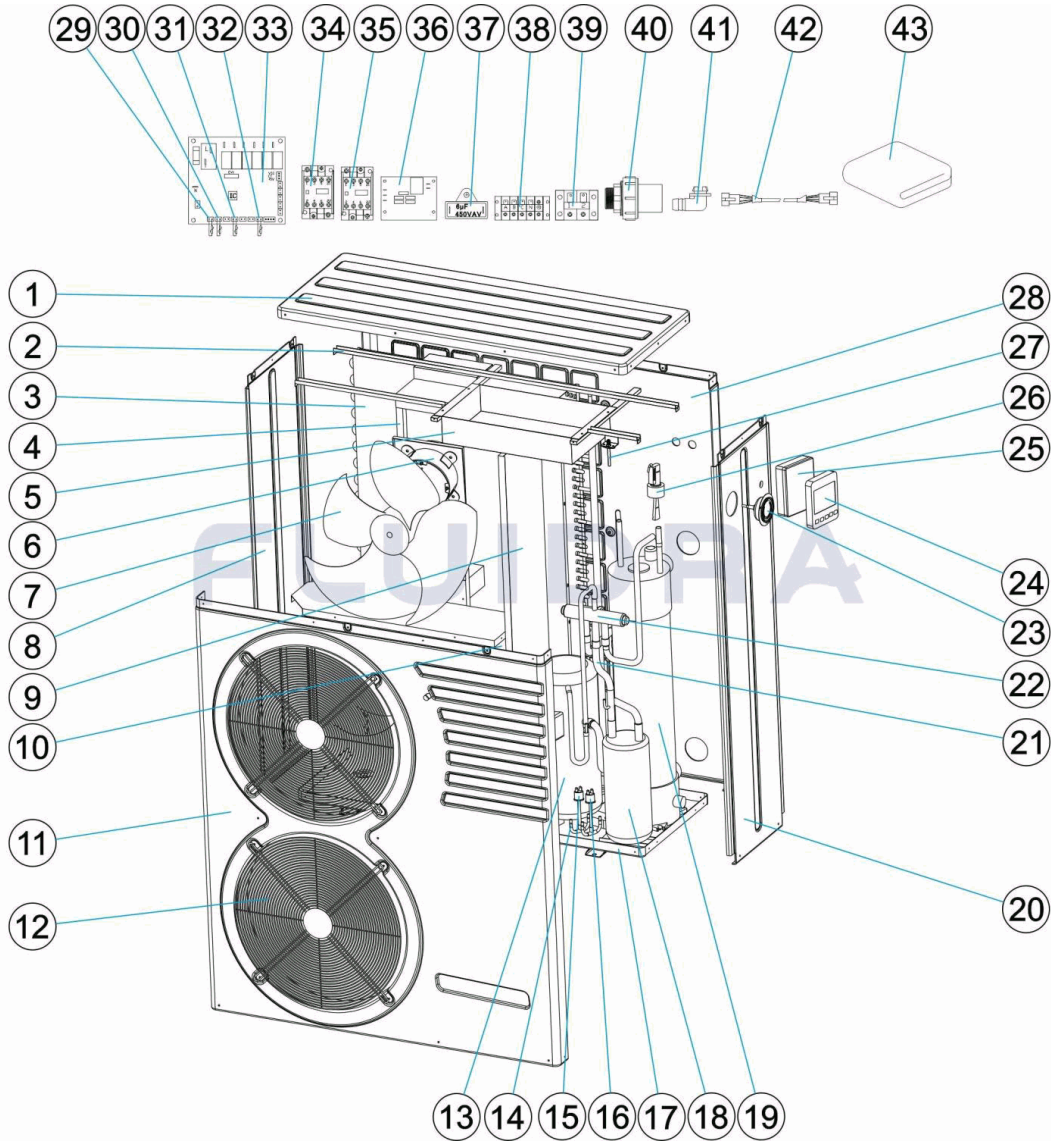
DESCRIPTION: **POMPE À CHALEUR EVOLINE 35M**

OBSERVATIONS

POS	CODE	OBSERVATIONS
24	66069R0018	POUR: 66075
24	66069R0218	POUR: 66075-MOD
29	66069R0033	POUR: ENTRADA AGUA / INLET WATER
30	66069R0034	POUR: SALIDA AGUA / OUTLET WATER
31	66069R0036	POUR: AIRE / AIR
32	66074R0035	POUR: EVAPORADOR / EVAPORATOR
33	66069R0023	POUR: 66075
33	66069R0223	POUR: 66075-MOD

CODE **66075, 66075-MOD**

DESCRIPTION: **HEAT PUMP EVOLINE 35M**



ENGLISH

POS	CODE	DESCRIPTION	QUANTITY	POS	CODE	DESCRIPTION	QUANTITY
1	66074R0001	TOP CAP ABS		15	66069R0031	HIGH PRESSURE SWITCH	
2	66074R0002	TOP CAP HOLDER		16	66069R0032	LOW PRESSURE SWITCH	
3	66075R0004	EVAPORATOR		17	66074R0014	BOTTOM PANEL	
4	66075R0006	FAN MOTOR HOLDER		18	66073R0043	GAS-LIQUID SEPARATOR	
5	66075R0003	ELECTRIC BOX		19	66075R0016	TITANIUM HEAT EXCHANGER	
6	66073R0008	FAN MOTOR		20	66075R0017	RIGHT PANEL ABS	
7	66073R0009	FAN BLADE		21	66075R0019	PIPEWORK FOR HEAT EXCHANGER	
8	66075R0005	LEFT PANEL ABS		22	66073R0013	4-WAY VALVE	
9	66075R0007	PARTITION PANEL		23	66069R0021	MANOMETER	
10	66069R0039	BOTTOM HEATER FOR EVAPORATOR		24	* 66069R0018	LED DISPLAY CONTROLLER (WIFI)	
11	66075R0010	FRONT PANEL ABS		24	* 66069R0218	LED DISPLAY CONTROLLER (MODBUS)	
12	66073R0011	FAN GUARD		25	66069R0040	PROTECTION BOX FOR DISPLAY	
13	66075R0012	COMPRESSOR		26	66069R0030	WATER FLOW SWITCH	

*** SEE OBSERVATIONS SHEET**

CODE **66075, 66075-MOD**

DESCRIPTION: **HEAT PUMP EVOLINE 35M**

14	66069R0015	PIPEWORK FOR PRESSURE SWITCH	27	66069R0022	VALVE FOR VACUUM & FILLING
28	66075R0020	BACK PANEL ABS	36	66073R0037	PHASES PROTECTION PCB
29	* 66069R0033	TEMP SENSOR (L=1200 COPPER C-RED)	37	66073R0025	FAN CAPACITOR (6UF)
30	* 66069R0034	TEMP SENSOR (L=1200 COPPER C-BLACK)	38	66074R0028	POWER TERMINAL
31	* 66069R0036	TEMP SENSOR (L=800 PLASTIC C-WHITE)	39	66069R0029	PUMP TERMINAL
32	* 66074R0035	TEMP SENSOR (L=2000 COPPER C-GREEN)	40	66069R0041	WATER CONNECTOR
33	* 66069R0023	CONTROLLER MAIN PCB (WIFI)	41	66069R0042	WATER CONDENSATION PURGE
33	* 66069R0223	CONTROLLER MAIN PCB (MODBUS)	42	66069R0038	EXTENSION CABLE FOR DISPLAY (10M)
34	66074R0027	RELAY/CONTACTOR FOR COMPRESSOR	43	ACXXPR1006	WINTER COVER EV35/AC35/ST35
35	66070R0027	RELAY / CONTACTOR FOR COMPRESSOR			

CODE **66075, 66075-MOD**

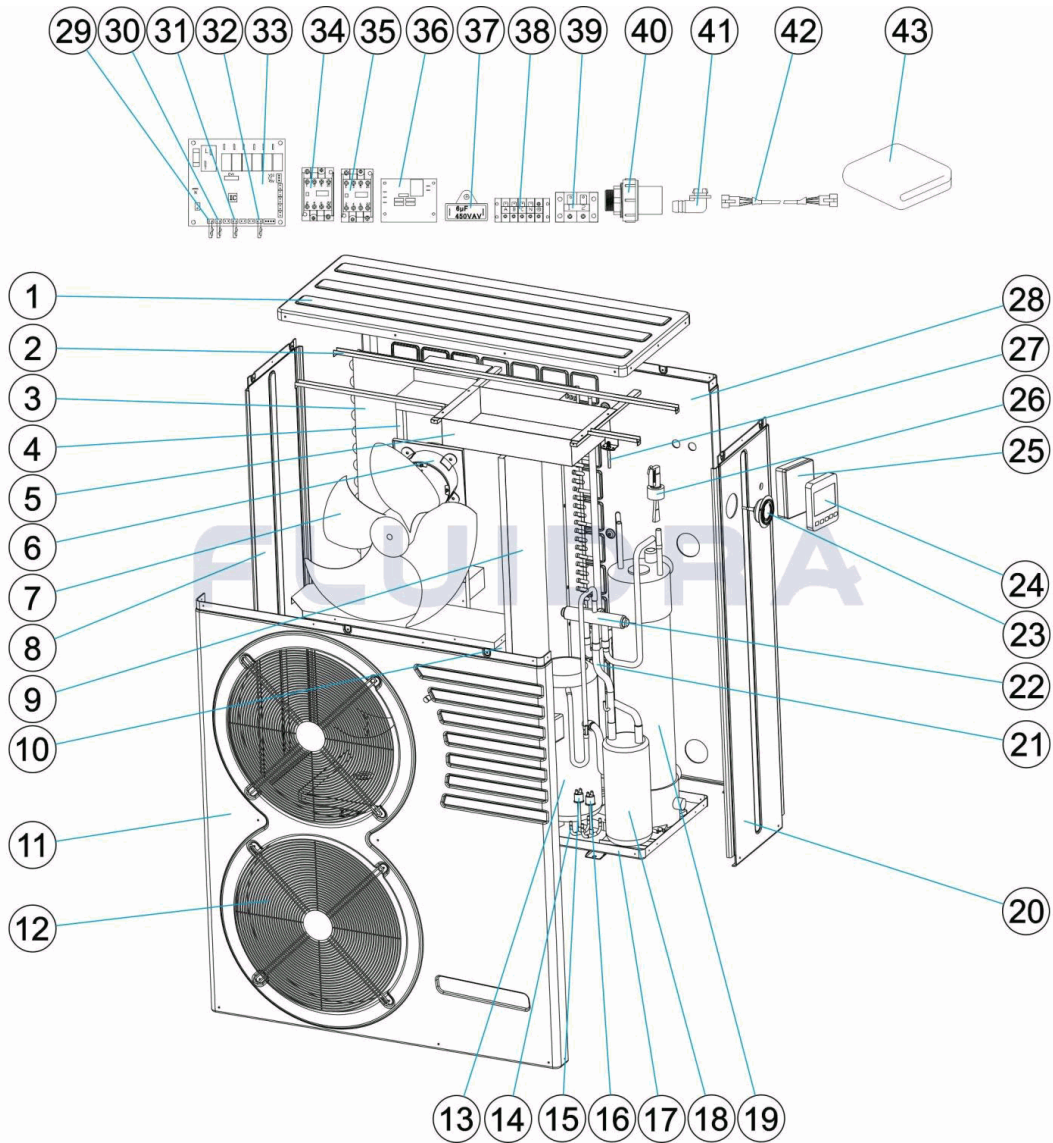
DESCRIPTION: **HEAT PUMP EVOLINE 35M**

OBSERVATIONS

POS	CODE	OBSERVATIONS
24	66069R0018	FOR: 66075
24	66069R0218	FOR: 66075-MOD
29	66069R0033	FOR: ENTRADA AGUA / INLET WATER
30	66069R0034	FOR: SALIDA AGUA / OUTLET WATER
31	66069R0036	FOR: AIRE / AIR
32	66074R0035	FOR: EVAPORADOR / EVAPORATOR
33	66069R0023	FOR: 66075
33	66069R0223	FOR: 66075-MOD

CODICE **66075, 66075-MOD**

DESCRIZIONE: **POMPA DI CALORE EVOLINE 35M**



ITALIANO

POS	CODICE	DESCRIZIONE	QUANTITA'	POS	CODICE	DESCRIZIONE	QUANTITA'
1	66074R0001	COPERCHIO SUPERIORE ABS		15	66069R0031	INTERRUTTORE ALTA PRESSIONE	
2	66074R0002	SUPPORTO PER COPERCHIO SUPERIORE		16	66069R0032	INTERRUTTORE BASSA PRESSIONE	
3	66075R0004	EVAPORATORE		17	66074R0014	PANNELLO INFERIORE	
4	66075R0006	SUPPORTO PER VENTILATORE MOTORE		18	66073R0043	SEPARATORE GAS-LIQUIDO	
5	66075R0003	SCATOLA DI DERIVAZIONE		19	66075R0016	INTERCAMBIATORE IN TITANIO	
6	66073R0008	MOTORE VENTILATORE		20	66075R0017	PANNELLO DESTRO ABS	
7	66073R0009	PALE VENTILATORE		21	66075R0019	TUBAZIONE PER INTERCAMBIATORE	
8	66075R0005	PANNELLO SINISTRO ABS		22	66073R0013	VALVOLA A 4 VIE	
9	66075R0007	PANNELLO PARTIZIONE		23	66069R0021	MANOMETRO	
10	66069R0039	RESISTENZA DISGELO		24	* 66069R0018	CONTROLLER SCHERMO LED (WIFI)	
11	66075R0010	PANNELLO FRONTALE ABS		24	* 66069R0218	CONTROLLER SCHERMO LED (MODBUS)	
12	66073R0011	GRIGLIA VENTILATORE		25	66069R0040	SCATOLA PROTETTIVA PER SCHERMO	
13	66075R0012	COMPRESSORE		26	66069R0030	FLUSSOSTATO	

*** SI FACCIA RIFERIMENTO AL FOGLIO DELLE OSSERVAZIONI**

CODICE **66075, 66075-MOD**

DESCRIZIONE: **POMPA DI CALORE EVOLINE 35M**

14	66069R0015	TUBAZIONE PER PRESSOSTATO	27	66069R0022	VALVOLA DI SVUOTAMENTO/RIEMPIMENT
28	66075R0020	PANNELLO POSTERIORE ABS	36	66073R0037	PROTEZIONE FASI PER PCB
29	* 66069R0033	SENSORE TEMPERATURA	37	66073R0025	CONDENSATORE VENTILATORE (6UF)
30	* 66069R0034	SENSORE TEMPERATURA	38	66074R0028	TERMINALE DI POTENZA
31	* 66069R0036	SENSORE TEMPERATURA	39	66069R0029	TERMINALE PER POMPA
32	* 66074R0035	SENSORE TEMPERATURA	40	66069R0041	CONNETTORE ACQUA
33	* 66069R0023	SCHEDA BASE PCB (WIFI)	41	66069R0042	SCARICO ACQUA CONDENSAZIONE
33	* 66069R0223	SCHEDA BASE PCB (MODBUS)	42	66069R0038	ESTENSIONE CAVO PER SCHERMO (10M)
34	66074R0027	RELÈ PER COMPRESSORE	43	ACXXPR1006	COPERTA DI INVERNO EV35/AC35/ST35
35	66070R0027	RELÈ PER COMPRESSORE			

CODICE 66075, 66075-MOD

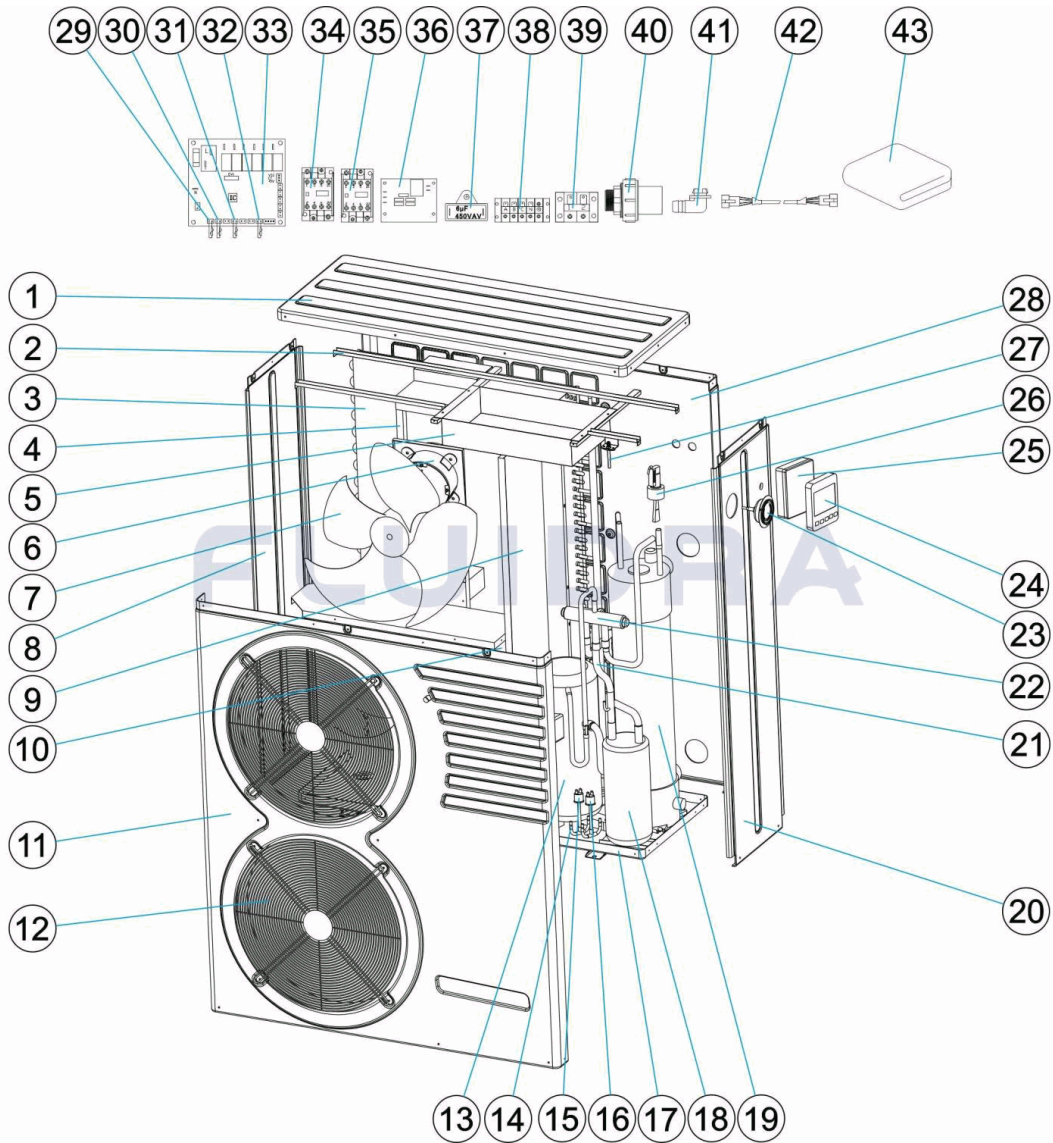
DESCRIZIONE: POMPA DI CALORE EVOLINE 35M

OSSERVAZIONI

POS	CODICE	OSSERVAZIONI
24	66069R0018	PER: 66075
24	66069R0218	PER: 66075-MOD
29	66069R0033	PER: ENTRADA AGUA / INLET WATER
30	66069R0034	PER: SALIDA AGUA / OUTLET WATER
31	66069R0036	PER: AIRE / AIR
32	66074R0035	PER: EVAPORADOR / EVAPORATOR
33	66069R0023	PER: 66075
33	66069R0223	PER: 66075-MOD

CODE **66075, 66075-MOD**

BESCHREIBUNG: **WÄRMEPUMPE EVOLINE 35M**



DEUTSCH

POS	CODE	BESCHREIBUNG	MENGE	POS	CODE	BESCHREIBUNG	MENGE
1	66074R0001	ABDECKUNG OBEN ABS		15	66069R0031	SCHALTER HOCHDRUCK	
2	66074R0002	HALTERUNG FÜR ABDECKUNG OBEN		16	66069R0032	SCHALTER TIEFDRUCK	
3	66075R0004	VERDAMPFER		17	66074R0014	UNTERPLATTE	
4	66075R0006	HALTERUNG MOTORVENTILATOR		18	66073R0043	GAS-FLÜSSIGKEITS-ABTRENNER	
5	66075R0003	ELEKTRISCHER SCHRANK		19	66075R0016	WÄRMEÜBERTRAGER TITANIUM	
6	66073R0008	VENTILATORMOTOR		20	66075R0017	PLATTE RECHTS ABS	
7	66073R0009	ROTORBLÄTTER VENTILATOR		21	66075R0019	VERROHRUNG WÄRMEÜBERTRAGER	
8	66075R0005	PLATTE LINKS ABS		22	66073R0013	4-WEGE-VENTIL	
9	66075R0007	ZWISCHENPLATTE		23	66069R0021	MANOMETER	
10	66069R0039	HEIZSTAB ENTEISER		24	* 66069R0018	DRIVER LED DISPLAY (WIFI)	
11	66075R0010	FRONTPLATTE ABS		24	* 66069R0218	DRIVER LED DISPLAY (MODBUS)	
12	66073R0011	VENTILATORGITTER		25	66069R0040	SCHUTZSCHRANK FÜR DISPLAY	
13	66075R0012	KOMPRESSOR		26	66069R0030	DURCHFLUSSMESSER	

* SIEHE ANMERKUNGSBLATT

CODE **66075, 66075-MOD**

BESCHREIBUNG: **WÄRMEPUMPE EVOLINE 35M**

14	66069R0015	VERROHRUNG DRUCKSCHALTER	27	66069R0022	VENTIL BEFÜLLUNG/ENTLEERUNG
28	66075R0020	PLATTE HINTEN ABS	36	66073R0037	PHASENSCHUTZ PCB
29	* 66069R0033	TEMPERATURFÜHLER	37	66073R0025	VENTILATORKONDENSATOR (6 UF)
30	* 66069R0034	TEMPERATURFÜHLER	38	66074R0028	ANSCHLUSS
31	* 66069R0036	TEMPERATURFÜHLER	39	66069R0029	ANSCHLUSS FÜR PUMPE
32	* 66074R0035	TEMPERATURFÜHLER	40	66069R0041	ANSCHLUSS WASSER
33	* 66069R0023	BASISPLATTE PCB (WIFI)	41	66069R0042	ABLASS KONDENSWASSER
33	* 66069R0223	BASISPLATTE PCB (MODBUS)	42	66069R0038	VERLÄNGERUNGSKABEL DISPLAY (10 M)
34	66074R0027	KOMPRESSORRELAIS	43	ACXXPR1006	WINTERDECKEL EV35/AC35/ST35
35	66070R0027	KOMPRESSORRELAIS			

CODE **66075, 66075-MOD**

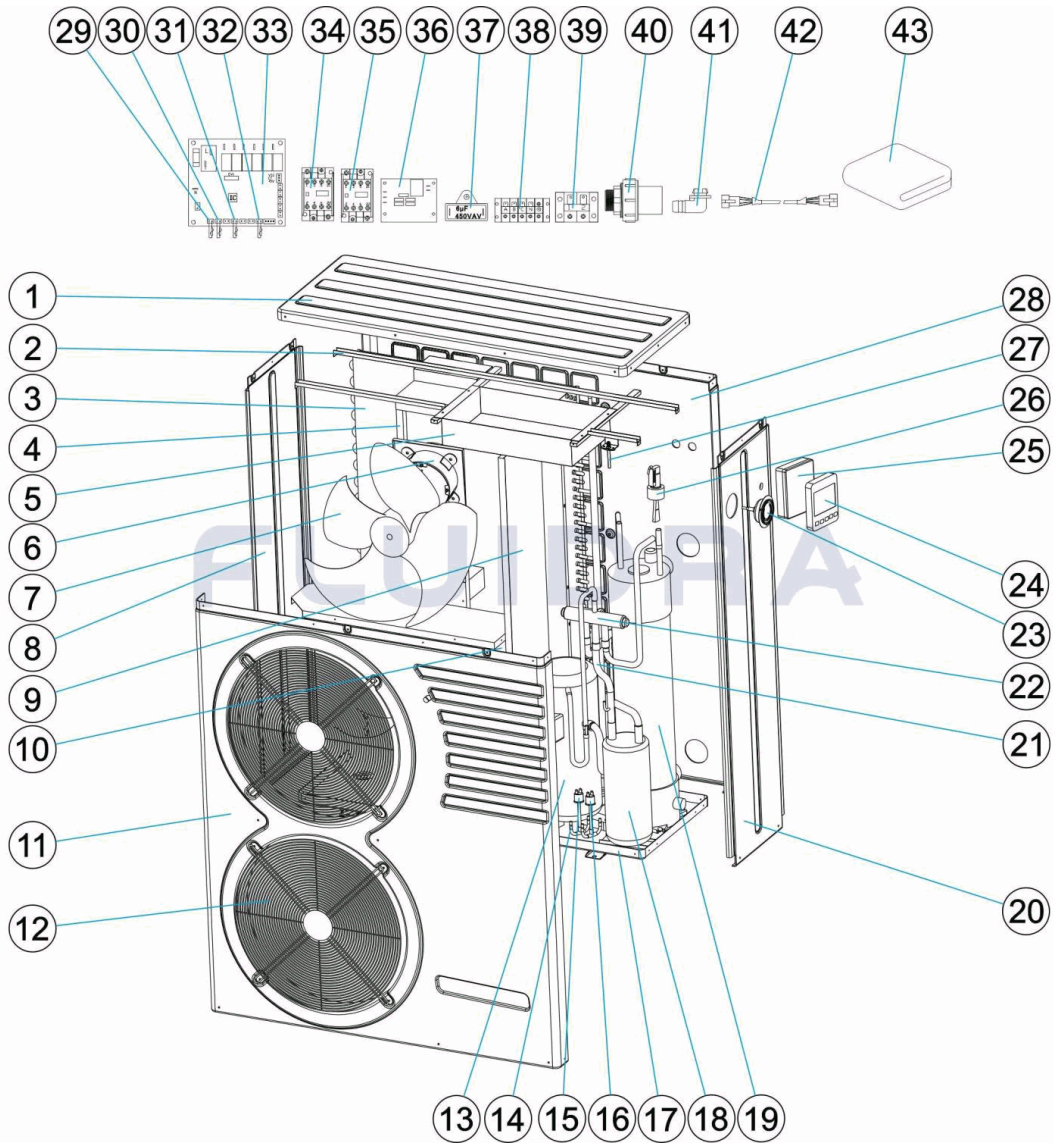
BESCHREIBUNG: **WÄRMEPUMPE EVOLINE 35M**

HINWEISE

POS	CODE	HINWEISE
24	66069R0018	FÜR: 66075
24	66069R0218	FÜR: 66075-MOD
29	66069R0033	FÜR: ENTRADA AGUA / INLET WATER
30	66069R0034	FÜR: SALIDA AGUA / OUTLET WATER
31	66069R0036	FÜR: AIRE / AIR
32	66074R0035	FÜR: EVAPORADOR / EVAPORATOR
33	66069R0023	FÜR: 66075
33	66069R0223	FÜR: 66075-MOD

CODIGO **66075, 66075-MOD**

DESCRIÇÃO: **BOMBA DE CALOR EVOLINE 35M**



PORTUGUES

POS	CODIGO	DESCRIÇÃO	QUANTIDADE	POS	CODIGO	DESCRIÇÃO	QUANTIDADE
1	66074R0001	TAMPA SUPERIOR ABS		15	66069R0031	INTERRUPTOR ALTA PRESSÃO	
2	66074R0002	SUPORE PARA TAMPA SUPERIOR		16	66069R0032	INTERRUPTOR BAIXA PRESSÃO	
3	66075R0004	EVAPORADOR		17	66074R0014	PAINEL INFERIOR	
4	66075R0006	SUPORE PARA VENTILADOR MOTOR		18	66073R0043	SEPARADOR GÁS-LÍQUIDO	
5	66075R0003	CAIXA ELÉTRICA		19	66075R0016	PERMUTADOR DE TITÂNIO	
6	66073R0008	MOTOR VENTILADOR		20	66075R0017	PAINEL DIREITO ABS	
7	66073R0009	PÁS VENTILADOR		21	66075R0019	TUBAGENS PARA PERMUTADOR	
8	66075R0005	PAINEL ESQUERDO ABS		22	66073R0013	VÁLVULA DE 4 VIAS	
9	66075R0007	PAINEL PARTIÇÃO		23	66069R0021	MANÓMETRO	
10	66069R0039	RESISTÊNCIA DESCONGELAÇÃO		24	* 66069R0018	CONTROLADOR DE ECRÃ LED (WIFI)	
11	66075R0010	PAINEL FRONTAL ABS		24	* 66069R0218	CONTROLADOR DE ECRÃ LED (MODBUS)	
12	66073R0011	GRADE VENTILADOR		25	66069R0040	CAIXA PROTEÇÃO PARA ECRÃ	
13	66075R0012	COMPRESSOR		26	66069R0030	COMUTADOR DO CAUDAL DA ÁGUA	

*** VEJA A FICHA DE OBSERVAÇÕES**

CODIGO **66075, 66075-MOD**

DESCRIÇÃO: **BOMBA DE CALOR EVOLINE 35M**

14	66069R0015	TUBAGENS PARA PRESSÓSTATO	27	66069R0022	VÁLVULA PARA ESVAZIAR/ENCHER
28	66075R0020	PAINEL POSTERIOR ABS	36	66073R0037	PROTEÇÃO DE FASES PARA PCB
29	* 66069R0033	SENSOR TEMPERATURA	37	66073R0025	CONDENSADOR VENTILADOR (6UF)
30	* 66069R0034	SENSOR TEMPERATURA	38	66074R0028	TERMINAL DE POTÊNCIA
31	* 66069R0036	SENSOR TEMPERATURA	39	66069R0029	TERMINAL PARA BOMBA
32	* 66074R0035	SENSOR TEMPERATURA	40	66069R0041	TOMADA DE ABASTECIMENTO DE ÁGUA
33	* 66069R0023	PLACA BASE PCB (WIFI)	41	66069R0042	PURGA ÁGUA CONDENSAÇÃO
33	* 66069R0223	PLACA BASE PCB (MODBUS)	42	66069R0038	EXTENSÃO CABO PARA ECRÃ (10M)
34	66074R0027	RELÉ PARA COMPRESSOR	43	ACXXPR1006	COBERTURA DE INVERNO EV35/AC35/ST3
35	66070R0027	RELÉ PARA COMPRESSOR			

CODIGO 66075, 66075-MOD

DESCRIÇÃO: BOMBA DE CALOR EVOLINE 35M

OBSERVACÕES

POS	CODIGO	OBSERVACÕES
24	66069R0018	PARA: 66075
24	66069R0218	PARA: 66075-MOD
29	66069R0033	PARA: ENTRADA AGUA / INLET WATER
30	66069R0034	PARA: SALIDA AGUA / OUTLET WATER
31	66069R0036	PARA: AIRE / AIR
32	66074R0035	PARA: EVAPORADOR / EVAPORATOR
33	66069R0023	PARA: 66075
33	66069R0223	PARA: 66075-MOD