

VALID FROM 15/01/2016

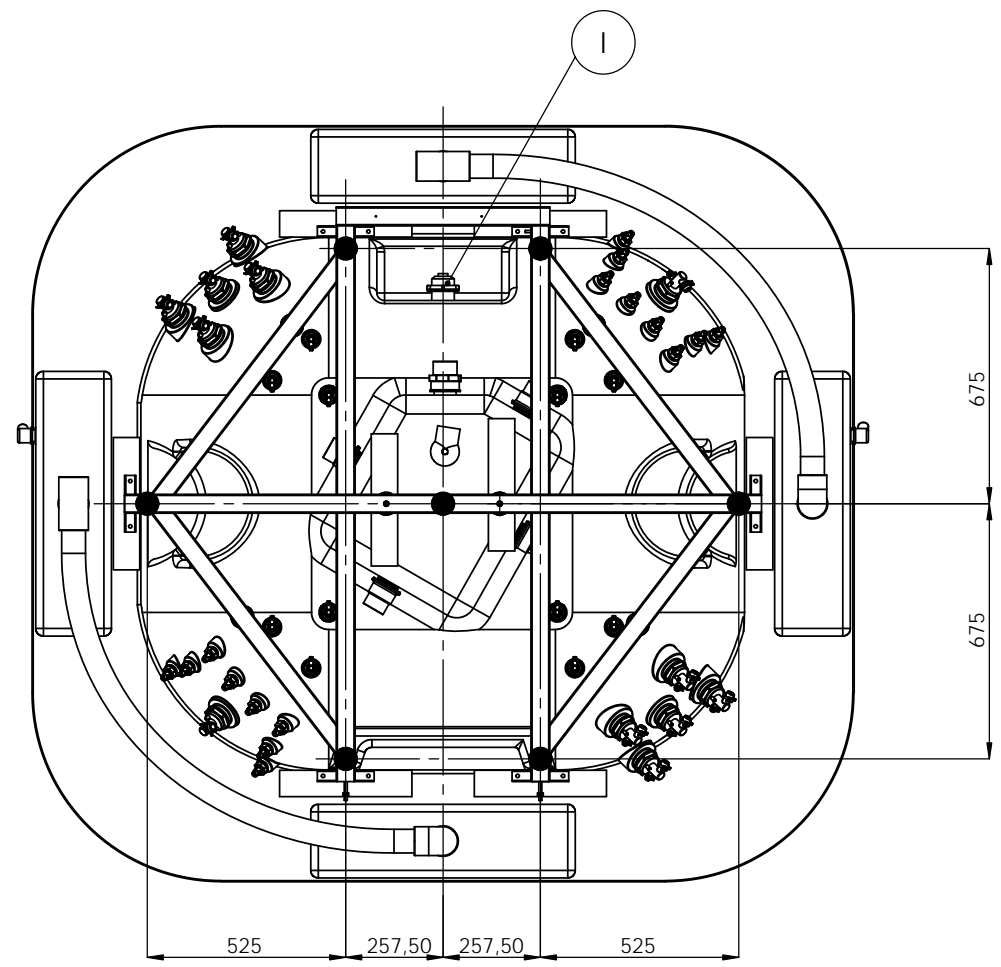
According to our policy of continuous improvement, dimensions, features or components of this product can be partially or completely changed without prior notice. It's Customer responsibility to verify that this is the last version of the drawing

Change No.	Date	Name	Modification
17	16/02/2016	I.Pozo	Change light and drain
16	12/06/2014	I.Pozo	New spare template
15	26/05/2014	I.Pozo	New Templates
14	06/05/2010	--	--

Remarks Dimensions in mm. General Tolerances +/- 10mm			COMMERCIAL			
Drawn	--	--		Part Number	Rev.	
Checked	--	I.Nicolas		16413	17	
Scale 1:20	General Tolerance DIN 7168 ISO 2768g					
Sheet 1/3						

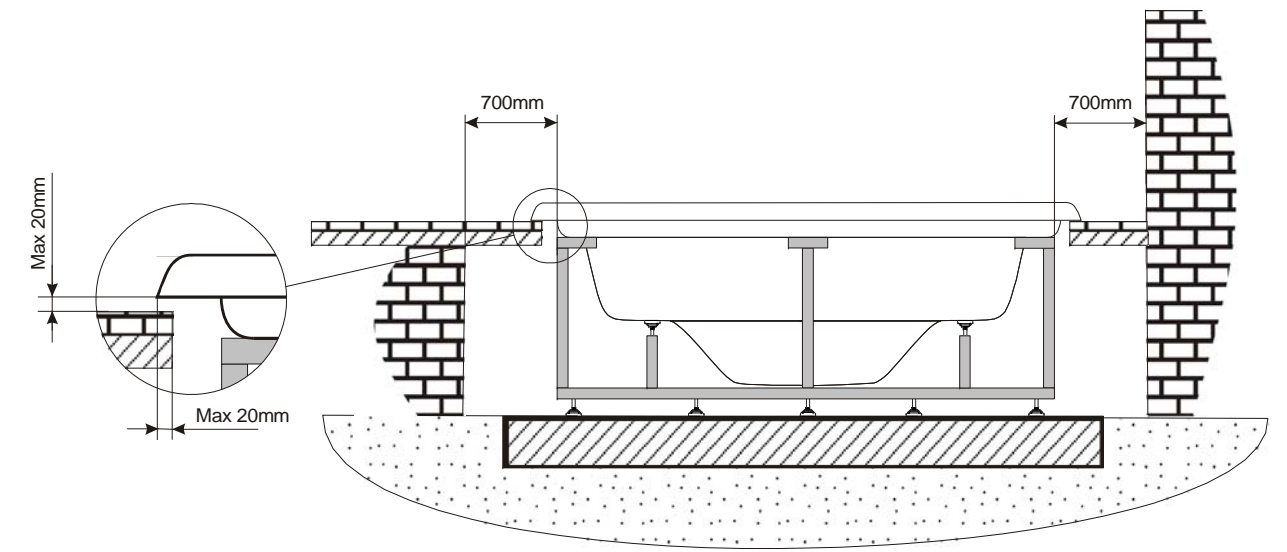
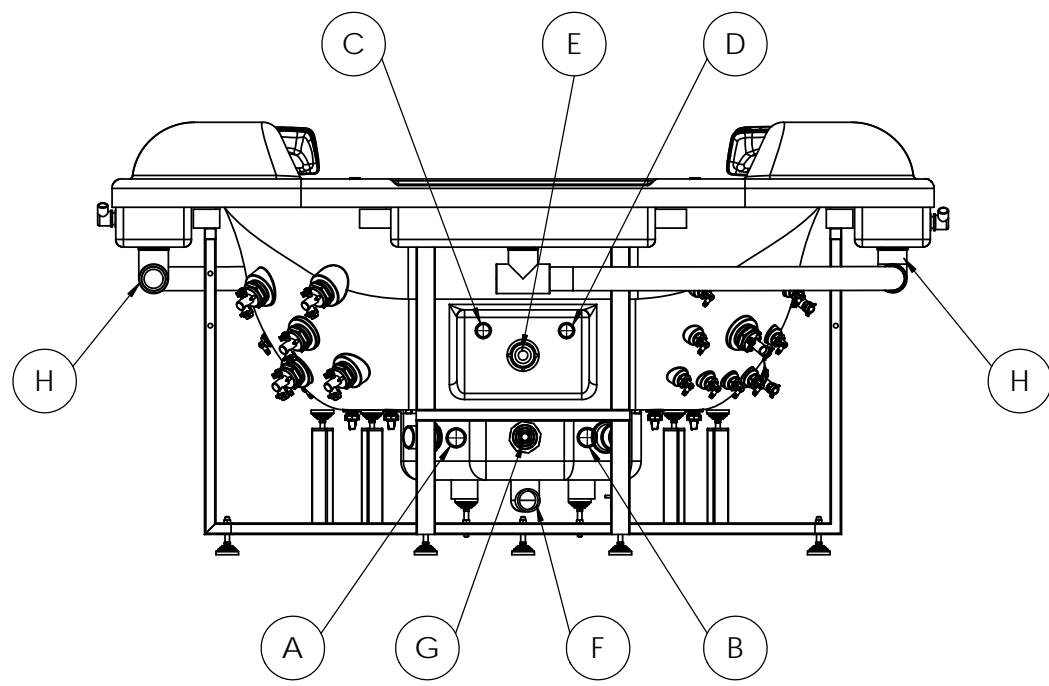
Property of IBERSPA S.L. Avda. Pla d'Urgell 2-8 25200 Cervera, Spain. Don't use without permission. Keep this information confidential and use it solely for the permitted purpose.

A	Suction-Water Massage Pump 1	Ø 63 FEMALE SOCKET
B	Suction-Water Massage Pump 2	Ø 63 FEMALE SOCKET
C	Return-Water Massage Pump 1	Ø 50 FEMALE SOCKET
D	Return-Water Massage Pump 2	Ø 50 FEMALE SOCKET
E	Return-Air Massage	Ø 50 FEMALE SOCKET
F	Suction/Return-Filtration Pump Bottom Spa	Ø 50 FEMALE SOCKET
G	Return-Filtration Pump Inlets	Ø 50 FEMALE SOCKET
H	Overflow Drains (4x)	Ø 63 FEMALE SOCKET
I	Light	


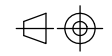


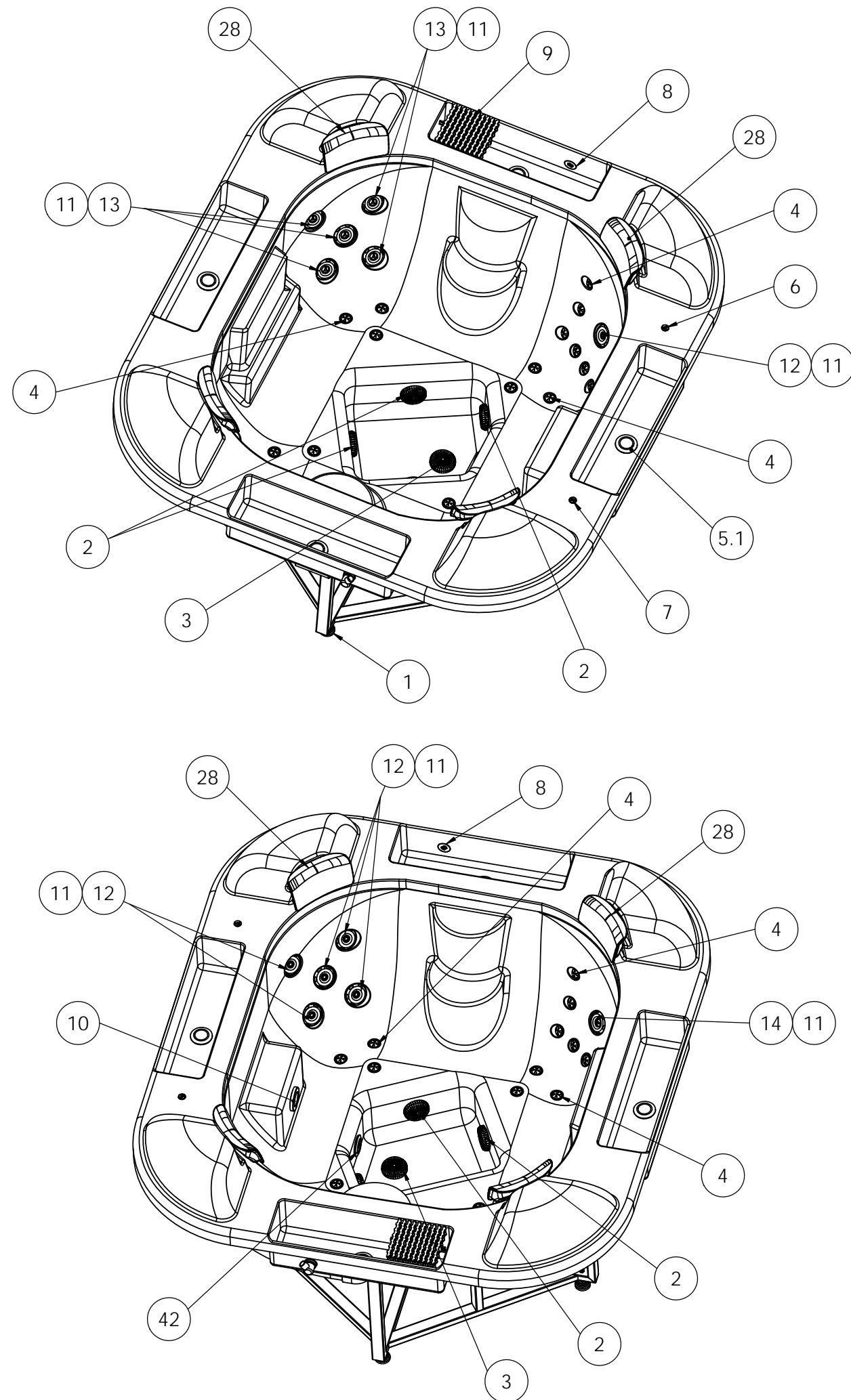
VALID FROM 15/01/2016

WARNING:
It's essential to keep a minimum clearance access of **700mm** all around.



According to our policy of continuous improvement, dimensions, features or components of this product can be partially or completely changed without prior notice.
It's Customer responsibility to verify that this is the last version of the drawing

17	16/02/2016	I.Pozo	Change light and drain
16	12/06/2014	I.Pozo	New spare template
15	26/05/2014	I.Pozo	New Templates
14	06/05/2010	--	--
Change No.	Date	Name	Modification
Remarks			COMMERCIAL
Dimensions in mm. General Tolerances +/- 10mm			
Drawn	--	--	
Checked	--	I.Nicolas	
Scale 1:20	General Tolerance		
Sheet 2/3	DIN 7168 ISO 2768g		
			Part Number
			16413
			Rev.
			17
			First Angle Projection
			
Property of IBERSPA S.L. Avda. Pla d'Urgell 2-8 25200 Cervera, Spain. Don't use without permission. Keep this information confidential and use it solely for the permitted purpose.			



STAINLESS STEEL JETS + WHITE LIGHT			
Position Num.	Part Nº SPARE	Description SPARE	Quant.
1	303325R	SPA SUPPORT	13
2	RPOR0223	WHITE SPA DRAIN 2" ADAPTOR SOCKET D.50	4
3	RPOR0224	WHITE SPA DRAIN 2" ADAPTOR ELBOW 90 D.50	1
4	REMP0046	WHITE-STAINLESS STEEL AIR NOZZLE	28
5.1	REMP0055	PRESSURE NOZZLE 63 (GASKET 2 UNITS)	4
6	REMP0034	DIGITAL BUTTON IP68 ALUM. AIR	1
7	REMP0033	DIGITAL BUTTON IP68 ALUM. WATER	1
8	RPOR0003	GREY DRAIN SET - BODY+COVER+ASSEMBLY	2
9	REMP0032	DIN CURVED GRATING WIDTH 195 mm	139
10	RCOM0071	HIGH INTENSITY WHITE LED SPOTLIGHTS + STAINLESS STEEL ESCUTCHEON SPOTLIGHT	1
11	RPOR0236	JET BODY SET RD 3"	12
12	RPOR0231	FRONTAL JET 3" STAINLESS STEEL DIRECTIONAL	6
13	RPOR0232	FRONTAL JET 3" STAINLESS STEEL 1 JET ROTO	5
14	RPOR0233	FRONTAL JET 3" STAINLESS STEEL TWIN ROTO	1
28	RPOR0032	SMALL HEADREST GREY	4
42	REMP0010	PRESSURE NOZZLE	1

WHITE JETS + WHITE LIGHT			
Position Num.	Part Nº SPARE	Description SPARE	Quant.
1	303325R	SPA SUPPORT	13
2	RPOR0223	WHITE SPA DRAIN 2" ADAPTOR SOCKET D.50	4
3	RPOR0224	WHITE SPA DRAIN 2" ADAPTOR ELBOW 90 D.50	1
4	REMP0029	KIT STORM AIR NOZZLE	28
5.1	REMP0055	PRESSURE NOZZLE 63 (GASKET 2 UNITS)	4
6	REMP0034	DIGITAL BUTTON IP68 ALUM. AIR	1
7	REMP0033	DIGITAL BUTTON IP68 ALUM. WATER	1
8	RPOR0003	GREY DRAIN SET - BODY+COVER+ASSEMBLY	2
9	REMP0032	DIN CURVED GRATING WIDTH 195 mm	139
10	RCOM0070	HIGH INTENSITY WHITE LED SPOTLIGHTS + WHITE ESCUTCHEON SPOTLIGHT	1
11	RPOR0236	JET BODY SET RD 3"	12
12	REMP0058	FRONTAL JET DIRECCIONAL 3"	6
13	REMP0059	FRONTAL JET ROT 1 CHORRO 3"	5
14	REMP0060	FRONTAL JET ROT 2 CHORRO 3"	1
28	RPOR0032	SMALL HEADREST GREY	4
42	REMP0010	PRESSURE NOZZLE	1

STAINLESS STEEL JETS + COLOUR LIGHT			
Position Num.	Part Nº SPARE	Description SPARE	Quant.
1	303325R	SPA SUPPORT	13
2	RPOR0223	WHITE SPA DRAIN 2" ADAPTOR SOCKET D.50	4
3	RPOR0224	WHITE SPA DRAIN 2" ADAPTOR ELBOW 90 D.50	1
4	REMP0046	WHITE-STAINLESS STEEL AIR NOZZLE	28
5.1	REMP0055	PRESSURE NOZZLE 63 (GASKET 2 UNITS)	4
6	REMP0034	DIGITAL BUTTON IP68 ALUM. AIR	1
7	REMP0033	DIGITAL BUTTON IP68 ALUM. WATER	1
8	RPOR0003	GREY DRAIN SET - BODY+COVER+ASSEMBLY	2
9	REMP0032	DIN CURVED GRATING WIDTH 195 mm	139
10	RCOM0063	HIGH INTENSITY COLOURS LED SPOTLIGHTS + STEEL ESCUTCHEON SPOTLIGHT	1
11	RPOR0236	JET BODY SET RD 3"	12
12	RPOR0231	FRONTAL JET 3" STAINLESS STEEL DIRECTIONAL	6
13	RPOR0232	FRONTAL JET 3" STAINLESS STEEL 1 JET ROTO	5
14	RPOR0233	FRONTAL JET 3" STAINLESS STEEL TWIN ROTO	1
28	RPOR0032	SMALL HEADREST GREY	4
42	REMP0010	PRESSURE NOZZLE	1

WHITE JETS + COLOUR LIGHT			
Position Num.	Part Nº SPARE	Description SPARE	Quant.
1	303325R	SPA SUPPORT	13
2	RPOR0223	WHITE SPA DRAIN 2" ADAPTOR SOCKET D.50	4
3	RPOR0224	WHITE SPA DRAIN 2" ADAPTOR ELBOW 90 D.50	1
4	REMP0029	KIT STORM AIR NOZZLE	28
5.1	REMP0055	PRESSURE NOZZLE 63 (GASKET 2 UNITS)	4
6	REMP0034	DIGITAL BUTTON IP68 ALUM. AIR	1
7	REMP0033	DIGITAL BUTTON IP68 ALUM. WATER	1
8	RPOR0003	GREY DRAIN SET - BODY+COVER+ASSEMBLY	2
9	REMP0032	DIN CURVED GRATING WIDTH 195 mm	139
10	RCOM0061	HIGH INTENSITY COLOURS LED SPOTLIGHTS + WITHE ESCUTCHEON SPOTLIGHT	1
11	RPOR0236	JET BODY SET RD 3"	12
12	REMP0058	FRONTAL JET DIRECCIONAL 3"	6
13	REMP0059	FRONTAL JET ROT 1 CHORRO 3"	5
14	REMP0060	FRONTAL JET ROT 2 CHORRO 3"	1
28	RPOR0032	SMALL HEADREST GREY	4
42	REMP0010	PRESSURE NOZZLE	1

VALID FROM 15/01/2016

According to our policy of continuous improvement, dimensions, features or components of this product can be partially or completely changed without prior notice. It's Customer responsibility to verify that this is the last version of the drawing

Change No.	Date	Name	Modification
17	16/02/2016	I.Pozo	Change light and drain
16	12/06/2014	I.Pozo	New spare template
15	26/05/2014	I.Pozo	New Templates
14	06/05/2010	--	--

Remarks Dimensions in mm. General Tolerances +/- 10mm		SPARE DRAWING			
Drawn	--		Part Number	Rev.	First Angle Projection
Checked	--		16413	17	
Scale 1:20	General Tolerance DIN 7168 ISO 2768g				
Sheet 3/3					

Property of IBERSPA S.L. Avda. Pla d'Urgell 2-8 25200 Cervera, Spain. Don't use without permission. Keep this information confidential and use it solely for the permitted purpose.