

**CHLORINE TABLETS DOSING UNITS
DOSEUR DE GALETS DE CHLORE
DOSIFICADOR DE TABLETAS DE CLORO
CHLOR-TABLETT DOSER
CLORO TAVOLETTE CHE DOSANO UNITÀ
DOSER DA TABELA DE CLORO**



CONTENTS

I.- SAFETY INSTRUCTIONS

1. REGULATORY ASPECTS
2. APPLICABLE PRINCIPLE OF USE
3. SAFETY ORGANISATION MEASURES
4. PERSONNEL AND THEIR QUALIFICATIONS
5. SAFETY AND OPERATION
 - 5.1. BEFORE START-UP
 - 5.2. START-UP
6. SPECIAL WORKS
7. SPECIAL HAZARDS
 - 7.1. ELECTRICAL HAZARDS
 - 7.2. HYDRAULIC HAZARDS
 - 7.3. HAZARDS IN THE HANDLING OF OILS,
FATS AND OTHER CHEMICAL SUBSTANCES
8. SAFETY ELEMENTS AND CORRECTIVE MEASURES

II.- OPERATIONAL INSTRUCTIONS

1. DESCRIPTION OF THE EQUIPMENT
2. POWER SOURCES
 - 2.1 HYDRAULIC SUPPLY
3. CONTROL PANELS
4. HAZARDS
 - 4.1. EQUIPMENT HAZARDS
 - 4.2. HAZARDS OF THE PRODUCTS USED

- 4.3. HAZARDS IN THE AREA**
- 5. CORRECTIVE MEASURES RESULTING FROM THE HAZARDS**
- 6. PERSONAL PROTECTIVE EQUIPMENT FOR THE OPERATOR**
- 7. CLEANING PROCESS**
- 8. LOADING OF THE EQUIPMENT**
- 9. STEP BY STEP OPERATION**
- 10. FUNCTIONING OF THE CLORIMAX**
- 10.1 NOTES**
- 11. RESPONSIBILITY OF THE EQUIPMENT OPERATOR**
- 12. SAFETY FUNCTIONS**
- 13. IMPROPER USE OF THE EQUIPMENT**

III.- MAINTENANCE

- 1.GENERAL MAINTENANCE**
- 2. MAINTENANCE OF THE HYDRAULIC EQUIPMENT**

IV-HYDRAULIC DIAGRAM

I.- SAFETY INSTRUCTIONS

1. REGULATORY ASPECTS

The equipment is governed by Directive 97/23/EC of the European Parliament and Council on pressure equipment.

- The equipment uses a liquid fluid, group 1.
- The maximum allowable pressure of the equipment is 3kg/cm².
- Maximum capacity 60 litres
- $P \times V = 180$

The equipment has no category and does not have to be labelled CE.

2. APPLICABLE PRINCIPLE OF USE

The design and installation of the equipment have been performed in accordance with the minimum safety requirements of Directive 89/655/EEC of 30 November, as amended by Directive 95/63/EC of 5 December, establishing the minimum safety and health requirements for its use by operators in the work of the work teams. However, hazards may arise owing to its improper use and, therefore, there may be defects in the equipment and other property or, in the worst case, personal injuries.

Use of the equipment must only be permitted in perfect technical conditions, and the operator will understand the conditions envisaged for its use, the safety instructions and the potential hazards. It is very important to eliminate potential environmental disturbances which may jeopardise safety.

Use of the equipment in tasks not defined as normal use is completely forbidden. The equipment must be used for the normal use for which it has been designed.

Observation and knowledge of the service, maintenance and inspection instructions form part of its normal use.

3. SAFETY ORGANISATION MEASURES

- Be careful and store the instruction manual in a place accessible from the team's work position.
- In addition to these safety instructions, be aware of the basic standards for accident protection and the instructions for environmental protection established by law.
- The personnel working with the equipment should read the safety data sheets for the different products, especially the section on first aid. These instructions also apply to any personnel who temporarily work with the equipment, such as maintenance and repair personnel and so on.
- The personnel must use personal protection equipment during the handling of the different products indicated on the product packaging.
- Turn off the pump which supplies the equipment in the event of anomalies affecting safety and/or the service and inform the competent personnel.
- Do not make any modifications or add additional constructions or fixtures to the equipment which may affect its safety functions.

4. PERSONNEL AND THEIR FORMATION

- Personnel who have read and understood the equipment manual correctly may operate or work with the equipment.

5. SAFETY AND OPERATION

5.1 BEFORE START-UP

- The assembly of the equipment will be performed with PVC piping in a ventilated place.

- The dosage of the product should follow Tables 1 and 2. The product concentrations shown in the tables will never be exceeded.
- The appropriate measures should be taken to ensure that the equipment is only operated in safe conditions. The equipment can be started up once the degassing valve works.
- Check regularly whether there are any visible defects or anomalies which may affect the safety of the equipment or the work area; if there are any, notify the competent persons immediately. Turn off the pump which supplies the equipment immediately if it affects the essential safety requirements.
- Before starting up the equipment, make sure that there is nobody exposed to a possible leak therefrom.

5.2 START-UP

- The purge valve will always be connected to the drain.
- After performing the assembly of the equipment, without having introduced the load of trichloro compacts 34433, 34434, 34435, 34437 or bromine tablets 16550 or 28740, proceed to check the sealing:
 1. Close the CLORIMAX lid
 2. Close the purge valve
 3. Start up the filtration equipment
 4. Open the outlet and inlet valves, allowing the water to circulate through the CLORIMAX.
 5. After a few minutes, check that there is no leakage of water in the installation.
- Turn off the pump which supplies the equipment in the event of anomalies in the operation and disconnect the power sources before handling it.
 - Do not disable the degassing valve.
 - Annual changeover of the degassing valve is recommended.

6. SPECIAL WORKS

- Follow the established schedule for the maintenance work; these tasks may only be performed by specialist personnel who are competent to perform them.
- Sign and block the work area.
- The disconnection and connection instructions must be followed, in accordance with the service and maintenance instructions, during the work affecting the service, the modification or adjustment of the equipment and its safety devices, as well as repairs.
- The equipment must be turned off during the repair and maintenance operations. This means that the pressure pump must be disconnected, ensuring that there is no flow of water or pressure.
- Keep the equipment clean, especially the connections and fixtures, when starting and ending the equipment maintenance, using suitable products.
- All the connections and piping should be checked once the cleaning has been completed, in case there is a leak, loose joints and points which may have been damaged, and any defects observed should be repaired.
- If the equipment maintenance requires the disassembly of the safety elements, their correct installation must be checked once they have been re-assembled. Especially the degassing valve.
- The damaged parts and any other components which have been replaced by new ones must be disposed of in a manner which does not affect the environment, using the collection service.

7. SPECIAL HAZARDS

7.1 ELECTRICAL HAZARDS

- The electrical installation must comply with the ITC-BT-18 regulation on low voltage and also European Directive 2014/35 / EU.
- During repairs or maintenance work, the equipment areas should not have any electrical voltage. Before working on these tasks with the equipment, the absence of voltage must be checked with the proper equipment. Prevent the electrical components such as the pump motor, connections etc. from being sprayed with water in the presence of voltage.

7.2 HYDRAULIC HAZARDS

- Only personnel with experience and knowledge of hydraulics may perform work on the installations.
- Check the lines, pipes and fixtures regularly; if any leaks or defects are detected, they must be repaired immediately.
- The components and the pipes which make up the circuits must be released from pressure before beginning any repairs.
- Assemble the pipes properly, verify the length and quality of the replaced pipes and check that the circuit has no leakages.

7.3 HAZARDS IN THE HANDLING OF OILS, FATS AND OTHER CHEMICAL SUBSTANCES

- If chemical products are used, the manufacturer must supply the technical data sheet and follow the instructions for use, attaching it to the company's work safety documentation.

8. SAFETY ELEMENTS AND CORRECTIVE MEASURES

The main safety element in the system is the degassing valve, whose main objective is to ensure that the maximum pressure inside the CLORIMAX never exceeds 2.5-3 bars.

A "T" is threaded at the outlet, placed in the upper part of the CLORIMAX, with two of its ends left free. A valve is threaded at one of these ends, through which the chloric or bromic solution flows into the pool. The degassing valve is threaded at the other end.

This valve has an outlet through a fitting, from where and through which a white plastic tube is connected to the return pipe. Another fitting is also supplied to form the connection with the return pipe.

The safety elements cannot be handled or disassembled, as the safety function for which they are designed will be disabled.

II.- OPERATIONAL INSTRUCTIONS

1. DESCRIPTION OF THE EQUIPMENT

CLORIMAX equipment, compact dispensers. Constructed with material resistant to chlorine and bromine. Its installation is always performed by means of a by-pass. It is equipment easily adaptable to any pool installation between 200 and 1000 m^3 . More than one dispenser can be installed for greater volumes.

Code: 16631

Net weight (kg): 14

Capacity (l): 40

Maximum pressure: 2.5-3 bar

Material: polyester and glass fibre.

Code: 16632

Net weight (kg): 18

Capacity (l): 60

Maximum pressure: 2.5-3 bar

Material: polyester and glass fibre.

The CLORIMAX equipment allows proper disinfection of the pool water, using trichloro compact products 34433, 34434, 34435, 34437 or bromine tablets 16550 or 28740.

2. POWER SOURCES

The power supplies required for the equipment to work are as follows:

2.1 HYDRAULIC SUPPLY

Check that the system's PVC pipes are in good condition and verify their seals, as any defect could lead to a lack of pressure in the system. In the event that the pressure is insufficient, the equipment will not work properly.



Under no circumstances should maintenance or handling operations be performed on the equipment other than for production tasks without turning off the (hydraulic) power sources.













3. CONTROLS

A flow meter located at the inlet should be used. The main function of the flow meter is to control the flow of water circulating through the device, in order to calculate the dosage of the disinfectant.





Valves which allow the proper passage of the fluid.

4. HAZARDS

4.1. EQUIPMENT HAZARDS

Pictogram	Type of risk	Task
	Crushing	Start up
	Entrapment	Cleaning and maintenance
	Slipping	Cleaning and maintenance
	Impact from the projection of parts due to an explosion	Cleaning and maintenance
	Power cuts	
	Risks of inhalation	
	Assembly errors	
	Breakage of parts	
	Before opening the dispenser to check or replace the load, it must have been in operation for about 30 minutes.	
	Do not smoke while opening or handling the CLORIMAX.	
	In the event of non-extended operation, always empty the dispenser and remove the load from the interior.	
	Use trichloro compact product 34433, 34434, 34435, 34437 or bromine tablets 16550 or 28740.	

4.2. HAZARDS OF THE USED PRODUCTS

Pictogram	Risk	Product
	Corrosive	16550 o 28740
	Dangerous to the environment	16550 o 28740 y 34433, 34434, 34435, 34437
	Volatile	16550 o 28740
	harmful	34433, 34434, 34435, 34437

4.3. HAZARDS IN THE AREA

As it is a very humid environment, we must take into account the risks to the devices (pumps) coupled to the dispenser. On the basis of the ITC-BT-18 low voltage decree.

In accordance with Royal Decree 486/1997 on workplaces, the area where the equipment is to be used requires good lighting to prevent any risk of falling due to a lack of lighting.



Direct and indirect electrical hazards



Risk of falling due to a lack of lighting

5. CORRECTIVE MEASURES RESULTING FROM THE HAZARDS

Based on the hazards mentioned in the previous section, the equipment has various safety measures.

To prevent potential entrapment and crushing, the transport and assembly of the device must be performed in a vacuum.

To prevent potential falls at the same level, the room where the installation takes place must have a floor with a level of adherence in accordance with CTE or complementary standards.

The risk of impact due to the projection of parts caused by an explosion is minimised by means of the use of the degassing valve.

To prevent potential electrical hazards resulting from working in a humid environment, the pump and electrical equipment must have a circuit breaker and the corresponding earth connection.

The chemical hazards which exist in the handling of the different substances will be minimised by means of the use of the different personal protective equipment.

To prevent any risks of inhalation, the assembly, loading and maintenance of the device will be performed in a ventilated place.

6. PERSONAL PROTECTIVE EQUIPMENT FOR THE OPERATOR

EPI	Description	Work
	Non-disposable chemical protection gloves	Commissioning, use, cleaning and maintenance.
	Safety footwear against chemical products and with adherent properties	Commissioning, use, cleaning and maintenance.
	Protective goggles against splashing of particles and splashes of chemicals.	Commissioning, use, cleaning and maintenance.
	Protective clothing against chemicals	Commissioning, use, cleaning and maintenance only when using the product 16550 or 28740.
	Commissioning, use, cleaning and maintenance only when using the product 16550 or 28740.	Commissioning, use, cleaning and maintenance.
	Filter mask for protection against gases and particles.	Commissioning only when using product 34433, 34434, 34435 or 34437.

7. CLEANING PROCESS

The equipment cannot be cleaned if it is in operation. When the base is cleaned, the by-pass should be isolated, in order to prevent any of the dirt from entering the pool. In order to change the load and put the device into service accordingly, its sealing should be checked without placing the load inside, as indicated in the installation and maintenance manual.

8. LOADING OF THE EQUIPMENT

The procedure for loading the equipment will be carried out after starting it up and checking the sealing of the hydraulic system.

The procedure is as follows:

1. Close the water inlet and outlet valves
2. Open the purge valve, allowing some of the water inside the CLORIMAX to flow out
3. Close the purge valve
4. Open the valve of the CLORIMAX dispenser
5. With 75% of the CLORIMAX full of water, carefully add the product **(Model 16631 or 15210, maximum load 20 kg, and Model 16632 or 15211, maximum load 30 kg)** in accordance with the Table
6. Fill the CLORIMAX with water by opening the water inlet valve slightly
7. Position and close the dispenser cap

***If the CLORIMAX is closed, there should ALWAYS be a valve open to allow the gases to escape (the degassing valve is only regarded as an emergency escape).**

9. STEP BY STEP OPERATION

OPERATION AND COMMISSIONING:

Checking the tightness:

Once the assembly of the CLORIMAX has been carried out, and without having placed the CTX-370 COMPACTOS DE TRICLORO or CTX-130 TABLETAS DE HALOBROM cargo, the seal will be checked. For that:

1. Close the lid of the CLORIMAX.

2. Close the bleed valve (P)
3. Put the filtration equipment in operation.
4. Open the outlet valve (2) and the inlet valve (1), letting the water circulate through the CLORIMAX.
5. After a few minutes, check that there is no loss of water in the installation.

CLORIMAX OPERATION

With the load inside the dispenser and it is closed:

1. Keep the drain valve (P) closed.
2. Open the water outlet valve (2) completely.
3. Open the water inlet valve (1), adjusting it to obtain a chlorine residual in the pool water between 0.5 and 2 ppm. If disinfected with bromine, its residual must be between 3 and 6 ppm.

“SELECTION OF THE CLORIMAX LOAD”

SWIMMING POOL CAPACITY IN m^3	DISPENSER MODEL	TRICHLORO 34433, 34434, 34435, 34437 COMPACT LOAD (kg*s)	Concentration (kg*s/l)
0-100	16631 or 15210	2-4	0-0,00004
100-200	16631 or 15210	4-8	0.00004
200-300	16631 or 15210	8-12	0.00004
300-400	16632 or 15211	12-16	0.00004
400-500	16632 or 15211	16-20	0.00004

SWIMMING POOL CAPACITY IN m^3	DISPENSER MODEL	BROMIDE 16550 o 28740 COMPACT LOAD (kg*s)	Concentration (kg*s/l)
0-50	16631 or 15210	2-5	0-0.0001
50-100	16631 or 15210	5-10	0.0001
100-200	16631 or 15210	10-20	0.0001
200-300	16632 or 15211	20-30	0.0001
300-450	16632 or 15211	30-45	0.0001

Once the trichloro (34433, 34434, 34435, 34437) o (16550, 28740) bromine load has been selected, depending on the volume of the pool, it is important to maintain the load level within the CLORIMAX constant as it operates. To do so, it is advisable to open the CLORIMAX every 3-4 days and replenish the load.

IMPORTANT: When the load of the CLORIMAX has to be replaced, the latter must be put into operation for at least 30 minutes before being opened.

The dosages of the products should be as shown in Tables 1 and 2.

In case of using products corresponding to other references, you should consult our supplier.

10. FUNCTIONING OF THE CHLORIMAX

With the load inside the closed dispenser:

1. Keep the purge valve closed
2. Open the water outlet valve fully
3. Open the water inlet valve, adjusting it to obtain residual free chlorine between 0.5 ppm and 2 ppm in the pool water. If it is disinfected with bromine, its residual should be between 3 ppm and 6 ppm.

10.1. NOTES

- In pools in which flocculation is carried out continuously (via the dispensing pump), the injection of the flocculant will be performed via the water intake which supplies the CLORIMAX, in order to prevent part of the flocculant from passing through the CLORIMAX.
- Flocculant tablets should not be used in the skimmers while the CLORIMAX is in operation.

IMPORTANT: never use trichloro (34433, 34434, 34435, 34437) or (16550, 28740) bromine products simultaneously. If you wish to change from one to the other, first empty the dispenser, remove the remaining tablets and put them out to dry before storing them away.

11. RESPONSIBILITY OF THE EQUIPMENT OPERATOR

The operator must be able to perform a series of tasks. The requirements are as follows:

- Knowledge of all the elements for the general functioning of the equipment, in order to execute it properly.
- Knowledge of the safety data sheet, in order to act in any emergency.
- To be able to adjust the equipment to adapt it to the different products which may be used.
- Knowledge of all the defects to be controlled, as described in the quality dossier.
- To inform the person in charge when it is observed that the equipment is not operating in optimal conditions or there is any damage.
- To properly record the amounts produced for each order.
- To keep the work area and the cabinets clean and tidy.

12. SAFETY FUNCTIONS

The dispenser's safety device is a degassing valve. The main purpose of the degassing valve is to prevent the internal pressure of the dispenser from exceeding 2.5-3 bar.

13. IMPROPER USE OF THE EQUIPMENT

DO NOT PERFORM MAINTENANCE OPERATIONS WITH THE EQUIPMENT IN OPERATION.

During the maintenance process or when changing part of the device, make sure that the latter is well-secured, as otherwise this could lead to leaks in the device.

DO NOT LOAD SURPLUS CHEMICAL PRODUCT.

Check the amount of product loaded into the device, given that, if it is loaded with a surplus, it will lead to an increase in the risk of toxicity. In turn, if the load is too low, the device will not operate properly.

DO NOT CLOSE THE OUTLET VALVE WHILE THE EQUIPMENT IS IN OPERATION During operation ensure that the outlet valve is open if the inlet valve is open too.

DO NOT USE ANY TYPE OF OIL OR DEGREASER.

Do not use any type of oil or degreaser during the use and maintenance of the equipment as this would cause wear of the joints used in the hydraulic system, leading to possible leaks that would lead to a loss of pressure in the system or possible breakage of the team

III.- MAINTENANCE

1. GENERAL MAINTENANCE

The maintenance instructions are drawn up with the aim of constituting a general standard to begin the maintenance of the equipment. It is advisable to follow them, as they are complemented by a schedule.

It is important to establish certain criteria, whereby the maintenance of the equipment is adapted to the actual working conditions, which will be different in accordance with the actual characteristics of each particular task and dependent on different factors, such as the work rate, dust in the environment, humidity, the corrosive atmosphere and the material characteristics.

It should be considered that the times devoted to maintenance can be scheduled at the most convenient times, affecting the work as little as possible. Otherwise, if no proper maintenance of the equipment is performed, breakdowns may occur at the most inopportune moment.

General measures for the maintenance of the equipment.

- All the parts of the equipment should be clean.
- Grease the metal parts regularly.
- It is advisable to regularly check the state of the fixtures and safety elements.
- Check all the components of the degassing valve every 3 months and replace it in the event of any anomaly.
- Check for potential leaks from the system on a monthly basis.

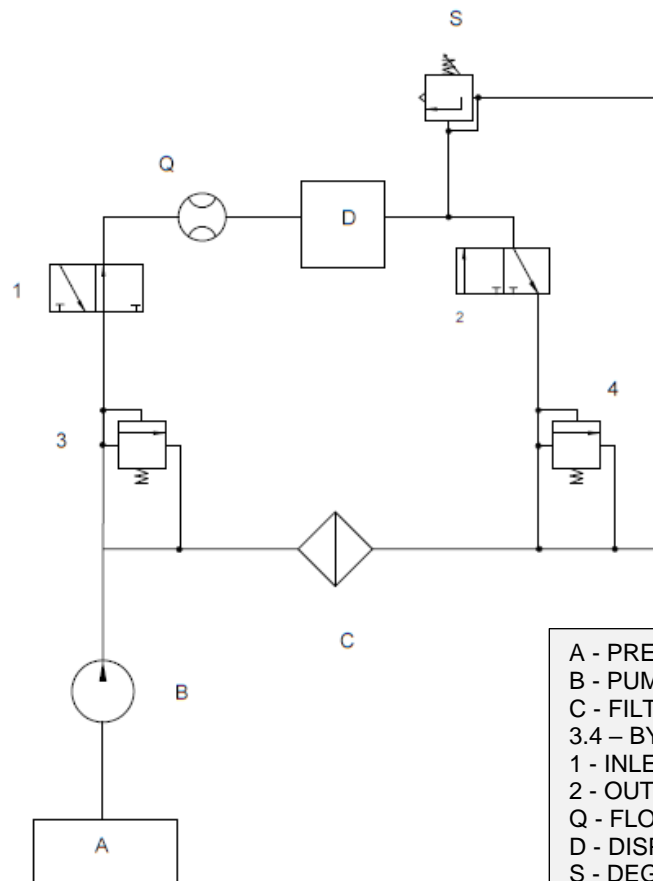
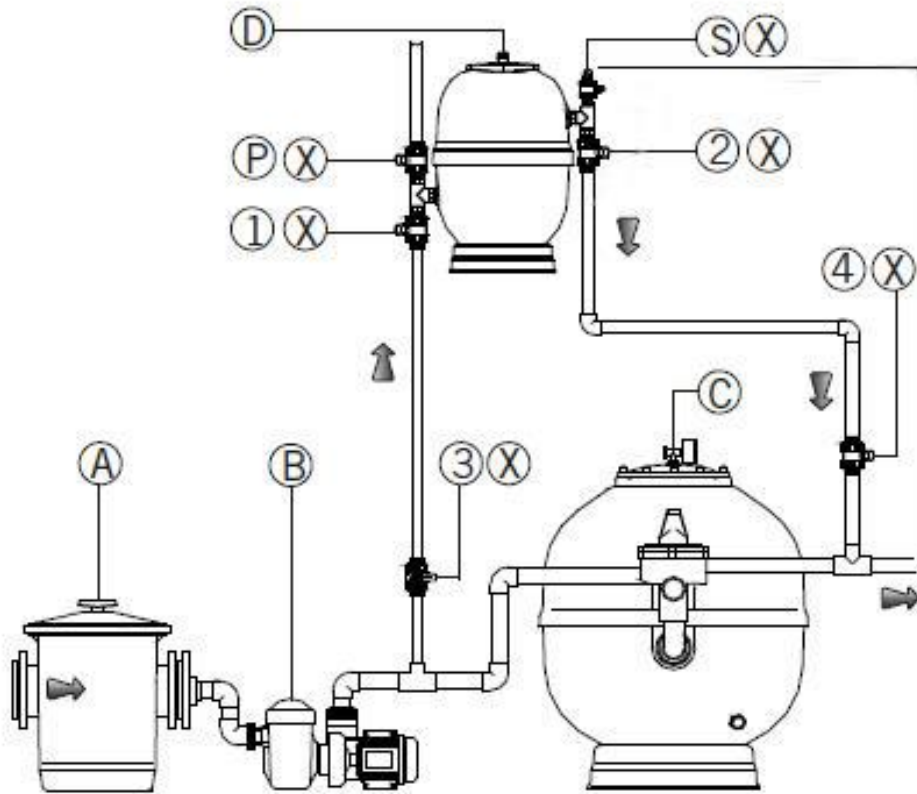
IMPORTANT: When maintenance of the CLORIMAX has to be performed, it should be put into operation at least 30 minutes before being opened.

2. MAINTENANCE OF THE HYDRAULIC EQUIPMENT

- Check that there are no leaks in the piping when the equipment is in operation.
- Check the state of the fixtures, joints and valves every 3 months.
- Check all the pipes and replace those which are broken or damaged.
- If the CLORIMAX has a flow meter, the filter to be found at its inlet will be cleaned regularly.

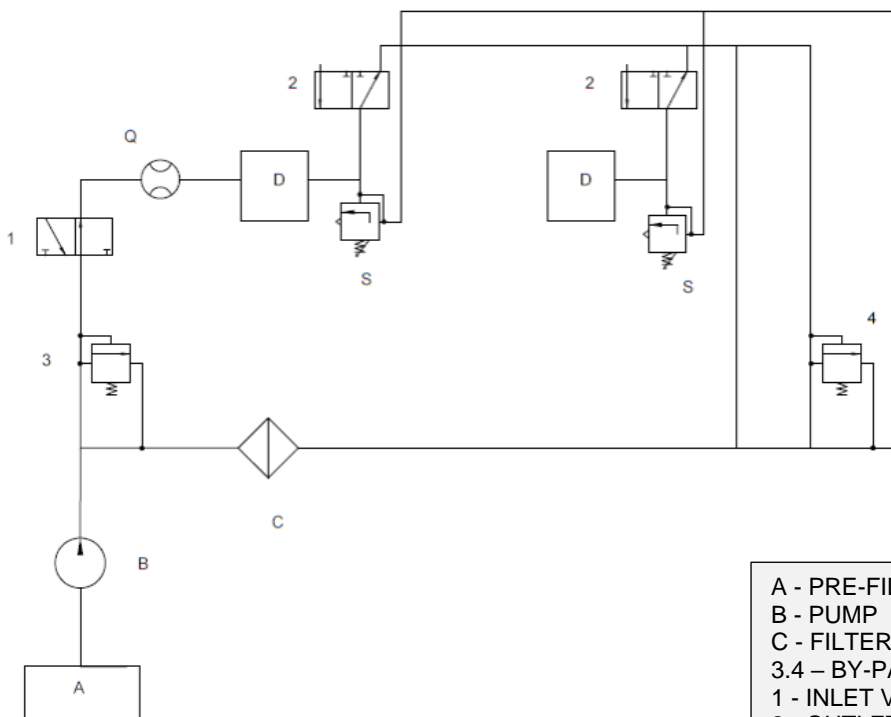
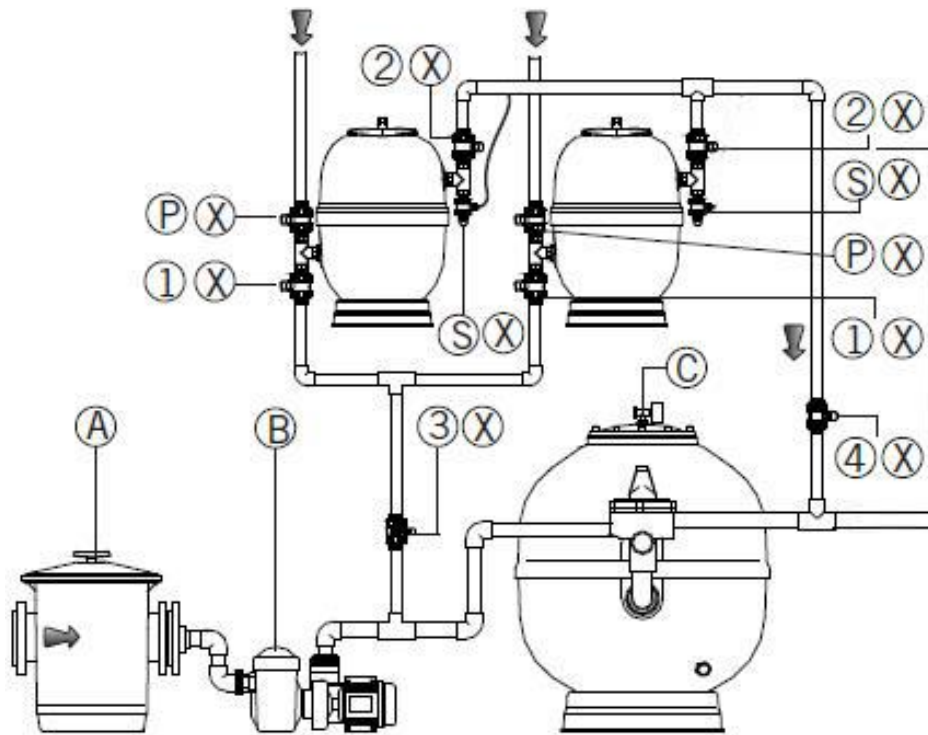
IV-HYDRAULIC DIAGRAM

1. Installation with one dispenser:



A - PRE-FILTER
B - PUMP
C - FILTER
3.4 - BY-PASS VALVE
1 - INLET VALVE
2 - OUTLET VALVE
Q - FLOW METER
D - DISPENSER
S - DEGASSING VALVE

2. Installation with more than one dispenser:



- A - PRE-FILTER
- B - PUMP
- C - FILTER
- 3.4 - BY-PASS VALVE
- 1 - INLET VALVE
- 2 - OUTLET VALVE
- Q - FLOW METER
- D - DISPENSER
- S - DEGASSING VALVE

SOMMAIRE

I.- INSTRUCTIONS DE SÉCURITÉ

- 1. DOMAINE NORMATIF**
- 2. PRINCIPE D'UTILISATION CONFORME**
- 3. MESURES D'ORGANISATION DE LA SÉCURITÉ**
- 4. PERSONNEL ET SA QUALIFICATION**
- 5. SÉCURITÉ ET FONCTIONNEMENT**
 - 5.1. AVANT LA MISE EN MARCHE**
 - 5.2. MISE EN MARCHE**
- 6. TRAVAUX SPÉCIAUX**
- 7. DANGERS SPÉCIAUX**
 - 7.1. DANGERS ÉLECTRIQUES**
 - 7.2. DANGERS HYDRAULIQUES**
 - 7.3. DANGERS CONCERNANT LA MANIPULATION DES HUILES, GRAISSES ET AUTRES SUBSTANCES CHIMIQUES**
- 8. ÉLÉMENTS DE SÉCURITÉ ET MESURES CORRECTIVES**

II.- INSTRUCTIONS DE FONCTIONNEMENT

- 1. DESCRIPTION DE L'ÉQUIPEMENT**
- 2. SOURCES D'ALIMENTATION**
 - 2.1 ALIMENTATION HYDRAULIQUE**
- 3. PANNEAUX DE COMMANDE**
- 4. RISQUES**
 - 4.1. RISQUES DE L'ÉQUIPEMENT**
 - 4.2. RISQUES DES PRODUITS UTILISÉS**
 - 4.3. RISQUES DE LA ZONE**

5. MESURES CORRECTIVES DÉRIVÉES DES RISQUES

6. ÉQUIPEMENTS DE PROTECTION INDIVIDUELLE POUR L'OPÉRATEUR

7. PROCESSUS DE NETTOYAGE

8. CHARGEMENT DE L'ÉQUIPEMENT

9. ÉTAPE PAR ÉTAPE FONCTIONNEMENT

10. FONCTIONNEMENT DU CLORIMAX

10.1 NOTES

11. RESPONSABILITÉ DE L'OPÉRATEUR DE L'ÉQUIPEMENT

12. FONCTIONS DE SÉCURITÉ

13. MAUVAISE UTILISATION DE L'ÉQUIPEMENT

III.- ENTRETIEN

1. ENTRETIEN GÉNÉRAL

2. ENTRETIEN ÉQUIPEMENT HYDRAULIQUE

IV-SCHÉMA HYDRAULIQUE

I.- INSTRUCTIONS DE SÉCURITÉ

1. DOMAINE NORMATIF

L'équipement est régi par la Directive du Parlement européen et du Conseil 97/23/CE, relative aux équipements sous pression.

- L'équipement utilise un fluide liquide du groupe 1.
- La pression maximale admissible de l'équipement est de 3 kg/cm².
- Capacité maximale 60 litres
- P×V = 180

L'équipement n'a pas de catégorie, il ne doit pas porter la marque CE.

2. PRINCIPE D'UTILISATION CONFORME

La conception de l'équipement et son installation ont été réalisées suivant les conditions requises minimales de sécurité exigées par la Directive 89/655/CEE, du 30 novembre, modifiée par la Directive 95/63/CE, du 5 décembre, qui établit les dispositions minimales de sécurité et de santé pour l'utilisation par les travailleurs des équipements de travail. Cependant, des dangers peuvent se produire en raison de la mauvaise utilisation, et les équipements et les autres biens peuvent subir des dommages, et dans le pire des cas blesser des personnes.

L'utilisation de l'équipement doit être autorisée uniquement dans des conditions techniques parfaites et l'opérateur connaîtra les conditions prévues dans l'utilisation, les instructions de sécurité et les éventuels dangers. Il est très important d'éliminer les éventuelles perturbations environnementales qui nuisent à la sécurité.

Il est totalement interdit d'utiliser l'équipement dans des tâches non définies comme utilisation normale. Il faut utiliser l'équipement pour l'utilisation normale pour laquelle il a été conçu.

Le respect et la connaissance des instructions de service, d'entretien et d'inspection font partie de l'utilisation normale.

3. MESURES D'ORGANISATION DE LA SÉCURITÉ

- Prendre soin et ranger le manuel d'instructions dans un lieu accessible depuis la position de travail de l'équipement.
- En tant que complément à ces instructions de sécurité, il faut connaître les normes basiques de protection contre les accidents et les instructions de protection de l'environnement, fixées par la loi.
- Le personnel qui travaille avec l'équipement doit lire la fiche de sécurité des différents produits, particulièrement le paragraphe sur les premiers secours. Ces instructions sont également valables pour le personnel qui travaille éventuellement avec l'équipement, comme le personnel d'entretien, de réparation, etc.
- Le personnel doit utiliser des mesures de protection individuelle pendant la manipulation des différents produits indiqué sur l'emballage du produit.
- Déconnecter la pompe qui alimente l'équipement en cas d'anomalies qui affectent la sécurité et/ou le service, et les notifier au personnel compétent.
- Ne pas réaliser de modifications, de constructions supplémentaires ni ajouter d'accessoires à l'équipement, qui peuvent affecter les fonctions de sécurité de l'équipement.

4. PERSONNEL ET SA FORMATION

- Le personnel qui a lu et compris correctement le manuel de l'équipement peut fonctionner ou travailler avec l'équipement.

5. SÉCURITÉ ET FONCTIONNEMENT

5.1 AVANT LA MISE EN MARCHÉ

- Le montage de l'équipement est réalisé avec une tuyauterie en PVC et dans un lieu aéré
- La dose du produit doit suivre les tableaux 1 et 2. Les concentrations de produit indiquées dans les tableaux ne seront jamais dépassées.
- Prendre les mesures opportunes pour que l'équipement ne fonctionne que dans des conditions sûres. Il faut mettre en marche l'équipement que lorsque la vanne de dégazage fonctionne.
- Réviser avec périodicité, en cas de défauts visibles ou d'anomalies, qui peuvent affecter la sécurité de l'équipement ou le lieu de travail, le notifier immédiatement aux personnes compétentes. Déconnecter la pompe qui alimente l'équipement immédiatement si cela affecte les conditions requises essentielles de sécurité.
- Avant de mettre en marche l'équipement, il faut s'assurer qu'aucune personne n'est exposée à une éventuelle fuite de l'équipement.

5.2 MISE EN MARCHÉ

- La vanne de purge est toujours connectée à l'évacuation.
- Après avoir réalisé le montage de l'équipement, et sans avoir placé à l'intérieur la charge de trichlore 34433, 34434, 34435, 34437 ou des tablettes de brome 16550 ou 28740 il faudra procéder à la vérification de l'étanchéité.
 6. Fermer les couvercles de CLORIMAX.
 7. Fermer la vanne de purge
 8. Mettre l'équipement de filtration en marche
 9. Ouvrir la vanne de sortie et celle d'entrée, en laissant circuler l'eau à travers le CLORIMAX.
 10. Une fois ces quelques minutes écoulées, vérifier qu'il n'existe aucune fuite d'eau dans l'installation.

- Déconnecter la pompe qui alimente l'équipement en cas d'anomalies dans le fonctionnement, et déconnecter les sources d'énergie avant la manipulation de celle-ci.
- Ne pas désactiver la soupape de dégazage .
- La commutation annuelle de la soupape de dégazage est recommandée.

6. TRAVAUX SPÉCIAUX

- Suivre la programmation établie de travaux d'entretien, ces tâches peuvent uniquement être réalisées par un personnel spécialisé, qui a des compétences pour les réaliser.
- Signaler et bloquer la zone de travail.
- Il faut suivre les instructions de déconnexion et connexion selon les instructions de service et d'entretien, dans les travaux qui touchent au service, à la modification et au réglage de l'équipement, et ses dispositifs de sécurité ainsi que les réparations.
- L'équipement doit être déconnecté lors des opérations de réparation et d'entretien. Cela implique que la pompe de pression doit être déconnectée et s'assurer qu'il n'y a aucun débit ni aucune pression d'eau.
- Maintenir l'équipement propre, particulièrement les connexions et les fixations en commençant et en terminant l'entretien de l'équipement, avec des produits adéquats.
- Il faut réviser toutes les connexions et conduites, une fois le nettoyage réalisé, pour vérifier l'absence de fuites, de joints lâches et de points qui peuvent être détériorés, et réparer les défauts observés.

- Si l'entretien de l'équipement exige de démonter les éléments de sécurité, il faudra vérifier la bonne installation une fois qu'ils ont été remontés. Particulièrement la vanne de dégazage.
- Les pièces détériorées et autres composants qui ont été remplacés par un neuf, doivent être jetés de façon à ne pas nuire à l'environnement, en utilisant le service de collecte.

7. DANGERS SPÉCIAUX

7.1 DANGERS ÉLECTRIQUES

- L'installation électrique doit respecter le règlement de basse tension ITC-BT-18 et aussi la directive européenne 2014/35 / UE.
- Pendant les réparations ou les tâches d'entretien, les zones de l'équipement ne doivent pas être sous tension électrique. Avant de travailler sur ces tâches avec l'équipement, il faut vérifier avec l'appareil adéquat l'absence de tension. Éviter que les composants électriques, comme une motopompe, des connexions, etc., ne soient pas aspergés d'eau en présence de tension.

7.2 DANGERS HYDRAULIQUES.

- Seul le personnel ayant de l'expérience et des connaissances en hydraulique peut réaliser des travaux sur les installations.
- Réviser les lignes, les conduites et les fixations régulièrement, et en cas de fuites ou de défauts, les réparer immédiatement.
- Il faut libérer la pression des composants et des conduites qui forment le circuit avant de commencer une réparation.
- Monter correctement les conduites, vérifier la longueur et la qualité des conduites remplacées et vérifier que le circuit n'a aucune fuite.

7.3 DANGERS LORS DE LA MANIPULATIONS D'HUILES, DE GRAISSES OU D'AUTRES SUBSTANCES CHIMIQUES.

- En cas d'utilisation de produits chimiques, il faut demander au fabricant la fiche technique et suivre les prescriptions d'utilisation et la joindre à la documentation relative à la sécurité au travail de l'entreprise.

8. ÉLÉMENTS DE SÉCURITÉ ET MESURES CORRECTIVES

Le principal élément de sécurité du système est la vanne de dégazage qui a comme objectif principal de garantir que la pression maximale à l'intérieur du CLORIMAX ne soit jamais supérieure à 2,5-3 bar.

À la sortie, placée sur la partie supérieure du CLORIMAX se visse un « T » dont deux de ses extrémités restent libres. Sur l'une de ses extrémités est vissée une vanne par laquelle sort une solution chlorique ou bromique vers la piscine. Sur l'autre extrémité est vissée la vanne de dégazage.

Cette vanne a une sortie par un raccord depuis lequel et par lequel un tube de plastique blanc se connecte à la tuyauterie de retour. Un autre ensemble raccord est également fourni pour pouvoir réaliser la connexion avec la tuyauterie de retour.

Les éléments de sécurité ne peuvent pas être manipulés ni démontés pour annuler la fonction de sécurité pour laquelle ils sont conçus.

II.- INSTRUCTIONS DE FONCTIONNEMENT

1. DESCRIPTION DE L'ÉQUIPEMENT.

Équipement CLORIMAX, doseurs compacts. Fabriqués avec un matériau résistant au chlore et au brome. Son installation se fait toujours en by-pass. Il s'agit d'un équipement facilement adaptable à toute installation de piscine entre 200 et 1000 m^3 . Pour des volumes supérieurs il faudra installer plus d'un doseur.

Code : 16631

Poids net (Kg) : 14

Capacité (l) : 40

Pression maximale : 2,5-3 bar

Matériau : polyester et fibre de verre

Code : 16632

Poids net (Kg) : 18

Capacité (l) : 60

Pression maximale : 2,5-3 bar

Matériau : polyester et fibre de verre

L'équipement CLORIMAX permet la bonne désinfection de l'eau de la piscine, en utilisant les produits compacts de trichlore 34433, 34434, 34435, 34437 ou les tablettes de brome 16550 ou 28740.

2. SOURCES D'ALIMENTATION

Les sources d'alimentation d'énergie dont a besoin l'équipement pour son fonctionnement sont les suivantes :

2.1 ALIMENTATION HYDRAULIQUE.

Vérifier que les tuyauteries en PVC du système sont en bon état et vérifier leur étanchéité car cela pourrait provoquer un manque de pression dans le système. En cas de pression insuffisante, l'équipement ne fonctionnera pas correctement.



En aucun cas l'équipement ne doit subir des opérations d'entretien ou des manipulations qui ne sont pas spécifiques aux tâches de production, sans déconnecter les sources d'alimentation d'énergie (hydrauliques).





3. COMMANDES

Il faut utiliser un débitmètre situé à l'entrée. La principale fonction du débitmètre est celle de contrôler le débit d'eau qui circule à travers le dispositif pour indiquer la dose de désinfectant.

Robinetterie qui permet le passage correct de fluide.

4. RISQUES

4.1. RISQUES DE L'ÉQUIPEMENT

Pictogramme	Type de risque	Tâche
	Écrasement	De l'arbre en marche
	Coincement	Nettoyage et maintenance
	Glissement	Nettoyage et maintenance
	Impact de projection de pièces par explosion	Nettoyage et maintenance

Coupure d'alimentation

Risques d'inhalation

Erreurs de montage

Rupture de pièces



Avant d'ouvrir le doseur pour le réviser ou remettre de la charge, il faut qu'il ait fonctionné pendant 30 minutes.



Ne pas fumer lors de l'ouverture ou la manipulation du CLORIMAX



En cas de fonctionnement non prolongé, toujours vider le doseur et retirer la charge de l'intérieur.



Utiliser le produit compact de trichlore 34433, 34434, 34435, 34437 ou les tablettes de brome 16550 ou 28740

4.2. RISQUES DES PRODUITS UTILISÉS :







Corrosif



Dangereux pour l'environnement



Volatile

Pictogram	Risk	Product
	Corrosif	16550 o 28740
	Dangereux pour l'environnement	16550 o 28740 y 34433, 34434, 34435, 34437
	Volatile	16550 o 28740
	nocive	34433, 34434, 34435, 34437

4.3. RISQUE DANS LA ZONE

Comme il s'agit d'un environnement très humide, nous devons prendre en compte les risques des dispositifs (pompes) qui s'accouplent au doseur. En se basant sur le décret de basse tension ITC-BT-18.

Selon le Décret royal 486/1997 sur les lieux de travail, la zone dans laquelle est utilisé l'équipement a besoin d'un bon éclairage pour éviter le risque de chute dû au manque d'éclairage.



Risques électriques directs ou indirects



Risque de chute dû au manque d'éclairage

5. MESURES CORRECTIVES DÉRIVÉES DES RISQUES.

En se basant sur les risques mentionnés au paragraphe précédent, l'équipement dispose de différentes mesures de sécurité.

Pour éviter d'éventuels écrasements et coincements, le transport et le montage du dispositif devront être réalisés à vide.

Pour éviter d'éventuelles chutes au même niveau, l'habitacle où se situe l'installation devra disposer d'un sol avec un niveau d'adhérence conforme au CTE ou à des normes complémentaires.

Le risque d'impact par projection de pièces provoquée par une explosion est minimisé grâce à l'utilisation de la vanne de dégazage.

Pour éviter d'éventuels risques électriques dérivés du travail en milieu humide, la pompe et l'équipement électrique doivent disposer d'un magnétothermique et de la connexion à la terre correspondante.

Les risques chimiques qui existent avec la manipulation des différentes substances sont minimisés par l'utilisation des différents équipements de protection individuelle.

Pour éviter les risques d'inhalation, le montage, le chargement et l'entretien du dispositif se fera dans un lieu aéré.

6. ÉQUIPEMENTS DE PROTECTION INDIVIDUELLE POUR L'OPÉRATEUR :

EPI	Description	Travailleur
	Gants de protection chimique non-jetables	Mise en service, utilisation, nettoyage et maintenance.
	Chaussures de sécurité contre produits chimiques et propriétés adhérentes	Mise en service, utilisation, nettoyage et maintenance.
	Lunettes de protection contre les éclaboussures de particules et les éclaboussures de produits chimiques.	Mise en service, utilisation, nettoyage et maintenance.
	Vêtements de protection contre les produits chimiques	Mise en service, utilisation, nettoyage et entretien uniquement lorsque vous utilisez le produit 16550 ou 28740.
	Masque de filtre à particules automatique	Mise en service, utilisation, nettoyage et maintenance.
	Masque filtrant pour la protection contre les gaz et les particules.	Mise en service uniquement lors de l'utilisation des produits 34433, 34434, 34435 ou 34437.

7. PROCESSUS DE NETTOYAGE.

L'équipement ne peut pas être nettoyé lorsqu'il est en marche. Lorsque le robot fonctionne, il faudra isoler le by-pass, de cette façon on évitera qu'une partie de la saleté entre dans la piscine. Pour réaliser le changement de la charge et la mise en service correspondante, il faut vérifier l'étanchéité du dispositif sans placer la charge à l'intérieur, comme montré dans le manuel d'installation et d'entretien.

8. CHARGEMENT DE L'ÉQUIPEMENT

La procédure de chargement de l'équipement sera réalisée après sa mise en fonctionnement et après vérification de l'étanchéité du système hydraulique. La procédure est la suivante :

10. Fermer les vannes d'entrée et de sortie d'eau
11. Ouvrir la vanne de purge, en laissant sortir une partie de l'eau de l'intérieur du CLORIMAX.
12. Fermer la vanne de purge
13. Ouvrir la vanne du doseur CLORIMAX
14. Avec 75 % du CLORIMAX plein d'eau, placer avec prudence le produit : **(Modèle 16631 ou 15210, charge max. de 20 kg, et Modèle 16632 ou 15211, charge maximum de 30 kg)** selon le Tableau
15. Remplir d'eau le CORIMAX en ouvrant légèrement la vanne d'entrée d'eau
16. Placer et fermer le couvercle du doseur.

***Si le CLORIMAX est fermé, il faudra TOUJOURS une vanne ouverte pour permettre l'échappement des gaz (la vanne de dégazage est considérée uniquement comme un échappement d'urgence).**

9. ÉTAPE PAR ÉTAPE FONCTIONNEMENT

FONCTIONNEMENT ET ENTRETIEN:

Vérification de l'étanchéité:

Une fois que l'assemblage du CLORIMAX a été effectué, et sans avoir placé le cargo CTX-370 COMPACTOS DE TRICLORO ou CTX-130 TABLETAS DE HALOBROM, le sceau sera vérifié. Pour cela:

1. Fermez le couvercle du CLORIMAX.
2. Fermer la soupape de purge (P)
3. Mettre l'équipement de filtration en service.
4. Ouvrir la vanne de sortie (2) et la soupape d'admission (1), en laissant circuler l'eau à travers le CLORIMAX.
5. Après quelques minutes, vérifiez qu'il n'y a pas de perte d'eau dans l'installation.

OPÉRATION CLORIMAX

Avec la charge à l'intérieur du distributeur et il est fermé:

1. Maintenir le robinet de vidange (P) fermé.
2. Ouvrir complètement la soupape de sortie d'eau (2).
3. Ouvrir la soupape d'entrée d'eau (1), en l'ajustant pour obtenir un résidu de chlore dans l'eau de la piscine entre 0,5 et 2 ppm. Si elle est désinfectée avec du brome, son résidu doit être compris entre 3 et 6 ppm.

« SÉLECTION DU CHARGEMENT DU CLORIMAX »

CAPACITÉ DE LA PISCINE EN m^3	MODÈLE DOSEUR	CHARGEMENT COMPACT DE TRICHLORE 34433, 34434, 34435, 34437 (kg*s)	Concentration (kg*s/l)
0-100	16631 ou 15210	2-4	0-0,00004
100-200	16631 ou 15210	4-8	0,00004
200-300	16631 ou 15210	8-12	0,00004
300-400	16632 ou 15211	12-16	0,00004
400-500	16632 ou 15211	16-20	0,00004

CAPACITÉ DE LA PISCINE EN m^3	MODÈLE DOSEUR	CHARGEMENT COMPACT DE BROME 16550 o 28740 (kg*s)	Concentration (kg*s/l)
0-50	16631 ou 15210	2-5	0-0,0001
50-100	16631 ou 15210	5-10	0,0001
100-200	16631 ou 15210	10-20	0,0001
200-300	16632 ou 15211	20-30	0,0001
300-450	16632 ou 15211	30-45	0,0001

Une fois le chargement de trichlore (34433, 34434, 34435, 34437) o bromo (16550, 28740) ou brome sélectionné en fonction du volume de la piscine, il est important de garder constant le niveau de chargement du CLORIMAX, au fur et à mesure qu'il fonctionne. Pour cela, il est conseillé d'ouvrir CLORIMAX tous les 3 à 4 jours et faire le plein avec le chargement.

IMPORTANT : Lorsqu'il faut remettre le chargement de CLORIMAX, celui-ci devra fonctionner au minimum de 30 minutes avant de l'ouvrir.

Les doses des produits devraient être comme indiqué dans les tableaux 1 et 2. En cas d'utilisation de produits correspondant à d'autres références, vous devez consulter notre fournisseur.

10. FONCTIONNEMENT DU CLORIMAX.

Avec le chargement à l'intérieur du doseur et celui-ci étant fermé :

4. Garder la vanne de purge fermée.
5. Ouvrir totalement la vanne de sortie d'eau
6. Ouvrir la vanne d'entrée d'eau, en la réglant pour obtenir dans l'eau de la piscine une valeur résiduelle de chlore libre entre 0,5 et 2 ppm. En cas de désinfection au brome, la valeur résiduelle variera entre 3 et 6 ppm.

10.1. NOTES

- Dans les piscines où la floculation est réalisée en continu (par une pompe doseuse), l'injection du floculant se fera après la prise d'eau qui alimente le CLORIMAX pour éviter qu'une partie du floculant ne passe à travers le CLORIMAX.
- Il ne faut pas utiliser de tablettes de floculant dans les skimmers pendant que le CLORIMAX est en fonctionnement.

IMPORTANT : ne jamais utiliser les produits trichlore (34433, 34434, 34435, 34437) o bromo (16550, 28740) et brome simultanément. Si vous souhaitez passer de l'un à l'autre, vider au préalable le doseur, retirer et mettre à sécher les restes des tablettes existantes avant de les ranger.

11. RESPONSABILITÉ DE L'OPÉRATEUR DE L'ÉQUIPEMENT.

L'opérateur doit être habilité à réaliser une série de tâches. Les conditions requises sont présentées ci-après :

- Connaissance de tous les éléments de fonctionnement général de l'équipement pour pouvoir l'exécuter correctement.
- Connaissance de la fiche des données de sécurité pour pouvoir réagir face à toute urgence.
- Être capable de régler l'équipement pour l'adapter aux différents produits qui peuvent être utilisés.
- Connaissance de tous les défauts à contrôler décrits dans le dossier de qualité.
- Informer le responsable en cas de mauvais fonctionnement de l'équipement dans des conditions optimales ou de défaut.
- Enregistrer correctement les quantités produites de chaque commande :
- Garder propres et rangées la zone de travail et les armoires.

12. FONCTIONS DE SÉCURITÉ

Le dispositif de sécurité du doseur est une vanne de dégazage. La vanne de dégazage a comme principal objectif d'éviter que la pression de l'intérieur du doseur dépasse les 2,5 à 3 bar.

13. MAUVAISE UTILISATION DE L'ÉQUIPEMENT.

NE PAS RÉALISER D'OPÉRATIONS D'ENTRETIEN AVEC L'ÉQUIPEMENT EN MARCHE.

Pendant le processus d'entretien du dispositif ou pendant le changement d'une pièce s'assurer qu'elle est bien tenue car sinon il peut y avoir des pertes dans le dispositif.

NE PAS CHARGER AVEC EXCÈS DE PRODUIT CHIMIQUE.

Contrôler la quantité de produit qui se charge dans le dispositif car un chargement excessif peut provoquer une augmentation du risque de toxicité, tandis qu'un chargement insuffisant peut entraîner un dysfonctionnement du dispositif.

NE PAS FERMER LA VANNE DE SORTIE PENDANT QUE L'ÉQUIPEMENT FONCTIONNE. Pendant le fonctionnement s'assurer que la vanne de sortie est ouverte si celle d'entrée l'est également.

NE PAS UTILISER TOUT TYPE D'HUILE OU DEGRÉGER.

N'utilisez aucun type d'huile ou de dégraissant lors de l'utilisation et de l'entretien de l'équipement, car cela entraînerait l'usure des joints utilisés dans le système hydraulique, entraînant des fuites pouvant entraîner une perte de pression dans le système ou une rupture possible Équipe.

III.- ENTRETIEN

1.ENTRETIEN GÉNÉRAL

Les instructions d'entretien doivent servir de norme générale pour réaliser l'entretien de l'équipement. Il est recommandé de les suivre et de les compléter avec une planification.

Il est important d'établir des critères, où s'adapte l'entretien de l'équipement aux conditions réelles de travail, qui seront différents selon les caractéristiques réelles de chaque tâche en particulier et en fonction des différents facteurs comme peuvent l'être le rythme de travail, la poussière dans l'environnement, l'humidité, l'atmosphère corrosive, les caractéristiques du matériau.

Il faut prendre en compte que pour les temps dédiés à l'entretien, les heures les plus pratiques et qui touchent le moins possible le travail peuvent être

planifiées, si au contraire un entretien correct de l'équipement n'est pas réalisé, les pannes peuvent se produire au moment le plus inopportun.

Mesures générales dans l'entretien des équipements.

- Toutes les parties de l'équipement doivent être propres.
- Graisser périodiquement les parties métalliques.
- Il est recommandé de réviser régulièrement l'état des fixations et des éléments de sécurité.
- Vérifier tous les composants de la vanne de dégazage tous les 3 mois et la changer en cas d'anomalie.
- Vérification d'éventuelles fuites du système mensuellement.

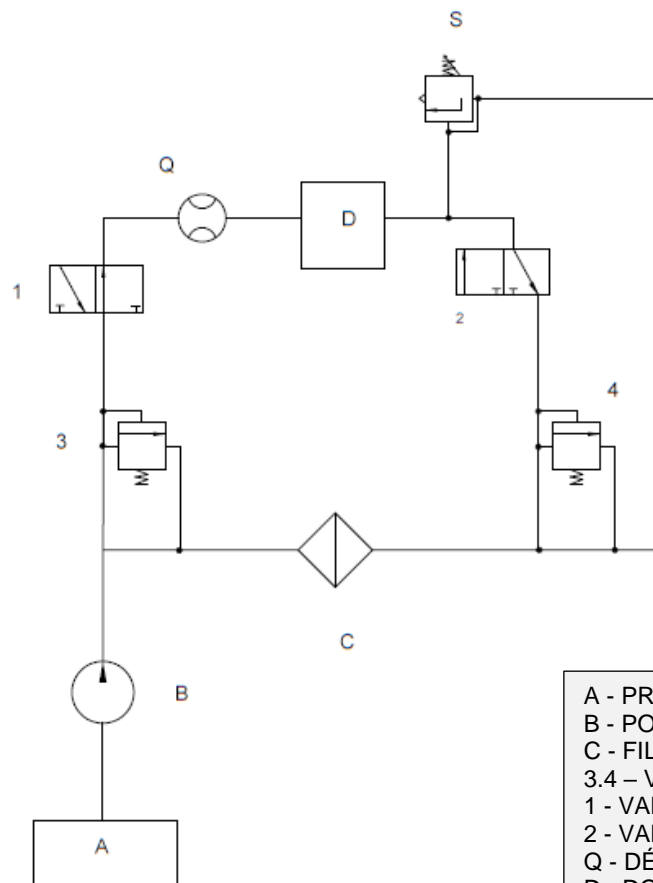
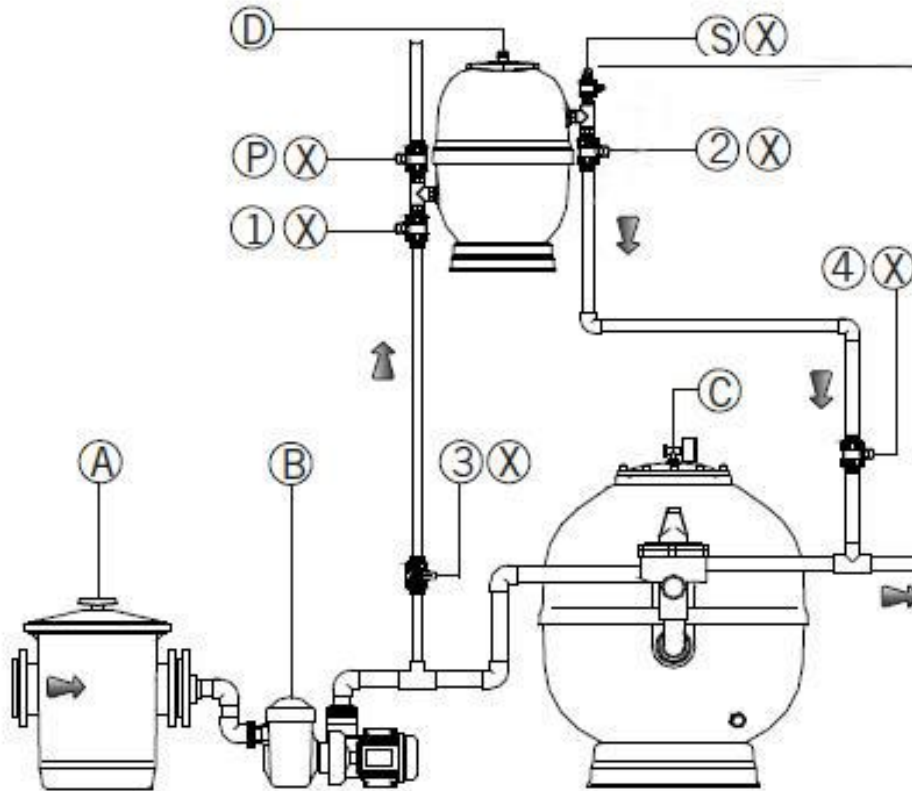
IMPORTANT : Lorsqu'il faut réaliser l'entretien du CLORIMAX, celui-ci devra fonctionner au moins 30 minutes avant d'être ouvert.

2.ENTRETIEN ÉQUIPEMENT HYDRAULIQUE

- Vérifier qu'il n'existe pas de fuite sur toutes les conduites, lorsque l'équipement fonctionne.
- Vérifier l'état des fixations, joints et vannes tous les 3 mois.
- Réviser toutes les conduites et remplacer celles qui sont cassées ou détériorées.
- Si le CLORIMAX dispose d'un débitmètre, il faudra procéder fréquemment au nettoyage du filtre qui se trouve à l'entrée du débitmètre.

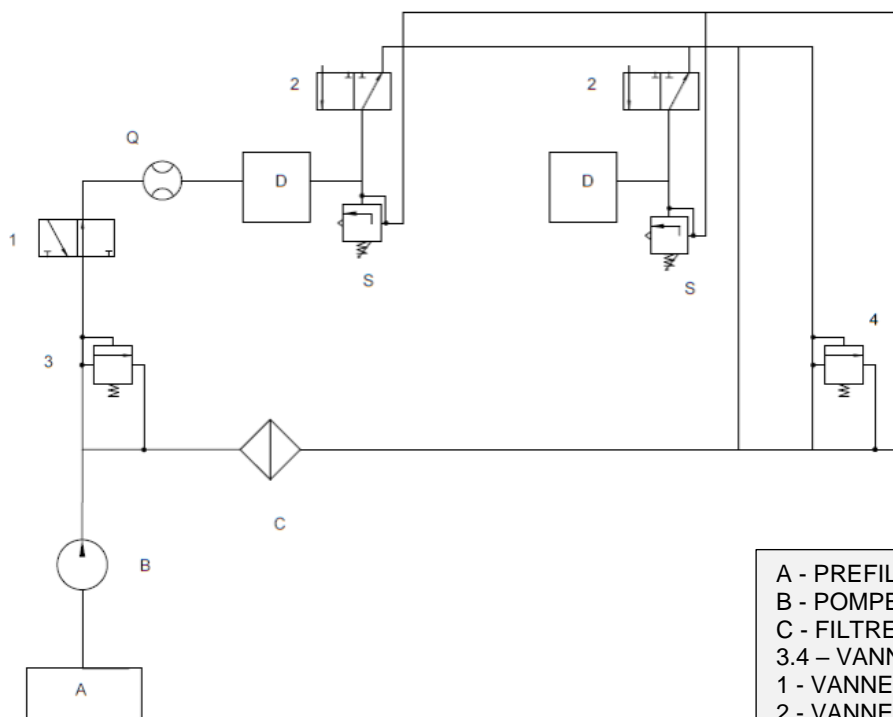
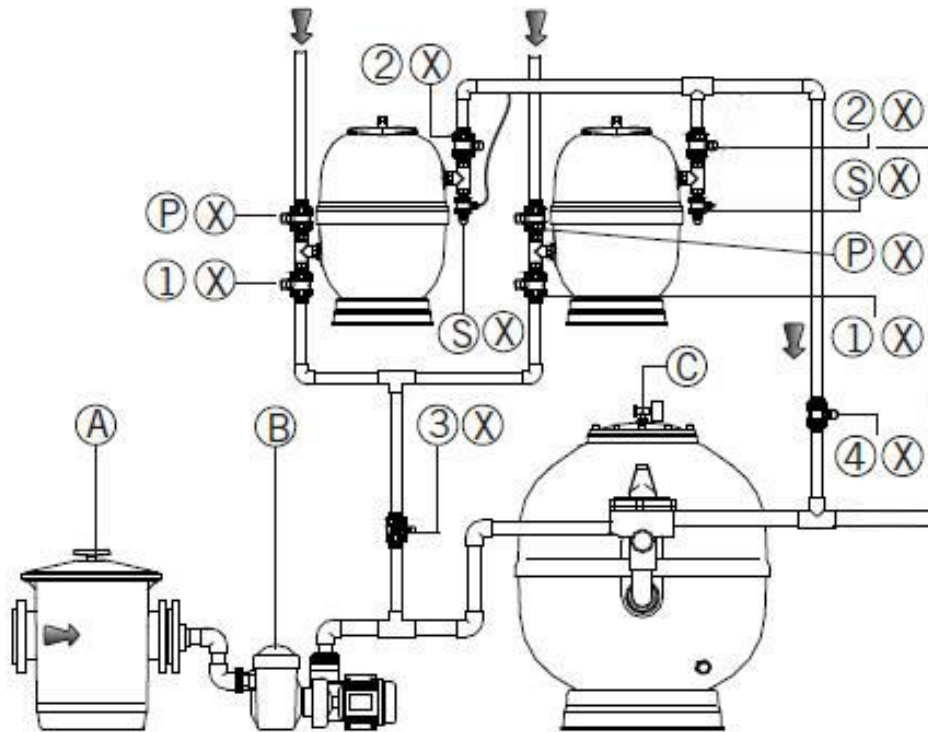
IV-SCHÉMA HYDRAULIQUE

1. Installation avec un doseur :



- A - PREFILTRE
- B - POMPE
- C - FILTRE
- 3.4 - VANNES BY PASS
- 1 - VANNE D'ENTRÉE
- 2 - VANNE DE SORTIE
- Q - DÉBITMÈTRE
- D - DOSEUR
- S - VANNE DE DÉGAZAGE

2. Installation avec plus d'un doseur :



- A - PREFILTRE
- B - POMPE
- C - FILTRE
- 3.4 - VANNES BY PASS
- 1 - VANNE D'ENTRÉE
- 2 - VANNE DE SORTIE
- Q - DÉBITMÈTRE
- D - DOSEUR
- S - VANNE DE DÉGAZAGE

ÍNDICE

I.- INSTRUCCIONES DE SEGURIDAD

- 1. ÁMBITO INFORMATIVO**
- 2. PRINCIPIO DE UTILIZACIÓN CONFORME**
- 3. MEDIDAS DE ORGANIZACIÓN DE LA SEGURIDAD**
- 4. PERSONAL Y SU CUALIFICACIÓN**
- 5. SEGURIDAD Y FUNCIONAMIENTO**
 - 5.1. ANTES DE LA PUESTA EN MARCHA**
 - 5.2. PUESTA EN MARCHA**
- 6. TRABAJOS ESPECIALES**
- 7. PELIGROS ESPECIALES**
 - 7.1. PELIGROS ELÉCTRICOS**
 - 7.2. PELIGROS HIDRÁULICOS**
 - 7.3. PELIGROS EN LA MANIPULACIÓN DE ACEITES, GRASAS Y OTRAS SUSTANCIAS QUÍMICAS**
- 8. ELEMENTOS DE SEGURIDAD Y MEDIDAS CORRECTORAS**

II.- INSTRUCCIONES DE FUNCIONAMIENTO

- 1. DESCRIPCIÓN DEL EQUIPO**
- 2. FUENTES DE ALIMENTACIÓN**
 - 2.1 ALIMENTACIÓN HIDRÁULICA**
- 3. PANELES DE MANDO**
- 4. RIESGOS**
 - 4.1. RIESGOS DEL EQUIPO**
 - 4.2. RIESGOS DE LOS PRODUCTOS UTILIZADO**
 - 4.3. RIESGOS EN LA ZONA**

- 5. MEDIDAS CORRECTORAS DERIVADAS DE LOS RIESGOS**
- 6. EQUIPOS DE PROTECCIÓN INDIVIDUAL PARA EL OPERARIO**
- 7. RPOCESO DE LIMPIEZA**
- 8. CARGA DEL EQUIPO**
- 9. PASO A PASO**
- 10 FUNCIONAMIENTO DEL CLORIMAX**
- 10.1 NOTAS**
- 11. RESPONSABILIDAD DEL OPERARIO DEL EQUIPO**
- 12. FUNCIONES DE SEGURIDAD**
- 13. MAL USO DEL EQUIPO**

III.- MANTENIMIENTO

- 1. MANTENIMIENTO GENERAL**
- 2. MANTENIMIENTO EQUIPO HIDRÁULICO**

IV-ESQUEMA HIDRÁLICO

I.- INSTRUCCIONES DE SEGURIDAD

1.AMBITO NORMATIVO

El equipo, lo rige la Directiva del Parlamento Europeo i del Consejo, 97/23/CE, relativa a. los equipos de presión.

- El equipo utiliza un fluido líquido, grupo 1.
- La presión máxima de admisible del equipo 3kg/cm².
- Capacidad máxima 60 litros
- $P \times V = 180$

El equipo no tiene categoría, y no han de estar marcados CE

2.PRINCIPIO DE UTILIZACIÓN CONFORME

El diseño del equipo y su instalación ha estado realizado siguiendo los requisitos mínimos de seguridad exigidos en la Directiva 89/655/CEE, de 30 de noviembre, modificada por la Directiva 95/63/CE, de 5 de diciembre, establece las disposiciones mínimas de seguridad y de salud para la utilización por los trabajadores en el trabajo de los equipos de trabajo. Sin embargo, pueden producirse peligros debido al mal uso, y por tanto sufrir desperfectos en el equipo y otros bienes, y en el peor de los casos daños personales.

La utilización del equipo se debe permitir sólo en perfectas condiciones técnicas, y el operario conocerá las condiciones previstas en la utilización, las instrucciones de seguridad, y posibles peligros. Es muy importante eliminar posibles perturbaciones ambientales que perjudican la seguridad.

Está totalmente prohibido el uso del equipo en tareas no definidas como uso normal. Se debe utilizar el equipo para el uso normal que ha sido diseñado.

La observación y conocimiento de las instrucciones de servicio, mantenimiento e inspección son parte de la utilización normal.

3.MEDIDAS DE ORGANIZACIÓN DE LA SEGURIDAD

- Tener cuidado y ordenar el manual de instrucciones en un lugar accesible desde la posición de trabajo del equipo.
- Como complemento de estas instrucciones de seguridad, tener conocimiento de las normas básicas de protección contra accidentes y las instrucciones de protección del medio ambiente, fijadas por la ley.
- El personal que trabaja con el equipo debe leer la ficha de seguridad de los diferentes productos, especialmente el apartado sobre primeros auxilios. Son válidas estas instrucciones también para el personal que trabaja eventualmente con el equipo, como el personal de mantenimiento, reparación etc.
- El personal debe utilizar medidas de protección individual durante la manipulación de los diferentes productos indicados en el envase del producto.
- Desconectar la bomba que alimenta al equipo en caso de anomalías que afecten a la seguridad y / o servicio.
- No realizar modificaciones, construcciones adicionales, ni añadir accesorios al equipo, que puedan afectar a las funciones de seguridad del equipo.

4.PERSONAL Y SU FORMACIÓN

- Podrán manipular o trabajar con el equipo el personal que haya leído y comprendido correctamente el manual del equipo.

5.SEGURIDAD Y FUNCIONAMIENTO

5.1 ANTES DE LA PUESTA EN MARCHA

- El montaje del equipo se realizará con tubería de PVC y en un lugar ventilado
- La dosificación del producto deberá seguir las tablas 1 y 2. Jamás se excederán las concentraciones de producto mostradas en las tablas.
- Tomar las medidas oportunas para que el equipo trabaje solamente en condiciones seguras. Se ha de poner en funcionamiento el equipo, en cuanto funcione la válvula desgasificadora.
- Revisar con periodicidad, si hay deficiencias visibles o anomalías que puedan afectar a la seguridad del equipo o el lugar de trabajo; inmediatamente notificarlo a las personas competentes. Desconectar la bomba que alimenta al equipo inmediatamente si afecta a los requisitos esenciales de seguridad.
- Antes de poner en marcha del equipo hay que asegurar que no hay ninguna persona que esté expuesta a un posible escape del equipo.

5.2 PUESTA EN MARCHA

- La válvula de purga estará conectada siempre al desagüe.
- Después de realizar el montaje del equipo, y sin haber colocado en su interior la carga de compactos de tricloro 34433, 34434, 34435, 34437 o tabletas de bromo 16550 o 28740 se procederá a la comprobación de la estanqueidad:
 11. Cerrar la tapa del CLORIMAX.
 12. Cerrar la válvula de purga
 13. Poner el equipo de filtración en marcha
 14. Abrir la válvula de salida y la de entrada, dejando circular el agua a través del CLORIMAX.
 15. Transcurridos unos minutos, comprobar que no existe ninguna pérdida de agua en la instalación.

- Desconectar la bomba que alimenta al equipo en caso de anomalías en el funcionamiento, y desconectar las fuentes de energía antes de la manipulación de la misma.
- No inhabilitar la válvula desgasificadora.
- Se recomienda el cambio anual de la válvula desgasificadora .

6. TRABAJOS ESPECIALES

- Seguir la programación establecida de trabajos de mantenimiento, estas tareas sólo pueden ser realizadas por personal especialista, que tienen competencia para realizar estas tareas.
- Señalizar y bloquear la zona de trabajo..
- Hay que seguir las instrucciones de desconexión y conexión según las instrucciones de servicio y mantenimiento, en los trabajos que afectan al servicio, la modificación o el ajuste del equipo, y sus dispositivos de seguridad, y así como las reparaciones.
- El equipo debe estar desconectado en las operaciones de reparación y mantenimiento. Esto implica que la bomba de presión ha de estar desconectada, y asegurar que no pasa caudal ni presión de agua.
- Mantener el equipo limpio, especialmente las conexiones y fijaciones al comenzar y finalizar el mantenimiento del equipo, con productos adecuados.
- Se deben revisar todas las conexiones y conducciones, una vez se ha realizado la limpieza, por si hay una fuga, juntas flojas y puntos que puedan estar deteriorados, y reparar los defectos observados.
- Si el mantenimiento del equipo requiere desmontar los elementos de seguridad, se tendrá que comprobar la correcta instalación una vez

hayan sido montados de nuevo. En especial la válvula desgasificadora.

- Las piezas deterioradas y otros componentes, que han sido sustituidos por una nueva, deben ser tirados de forma que no afecte el medio ambiente, utilizando el servicio de recogida.

7. PELIGROS ESPECIALES

7.1 PELIGROS ELÉCTRICOS

- La instalación eléctrica deberá cumplir el reglamento de baja tensión ITC-BT-18 y también La Directiva europea 2014/35/ UE.
- Durante las reparaciones, o tareas de mantenimiento, las zonas del equipo, no debe tener tensión eléctrica. Antes de trabajar en estas tareas con la equipo, se debe comprobar con el aparejo adecuado la ausencia de tensión. Evitar que los componentes eléctricos, como motor bomba, conexiones etc, no sean rociados con agua con presencia de tensión.

7.2 PELIGROS HIDRÁULICOS.

- Sólo el personal con experiencia y conocimientos en hidráulica pueden realizar trabajos en instalaciones.
- Revisar las líneas, conductos y fijaciones con regularidad, si se detectan fugas o desperfectos, se han de arreglar inmediatamente.
- Se debe dejar liberar la presión de los componentes y de las conducciones que forman los circuitos, antes de comenzar una reparación.

- Montar correctamente las conducciones, verificar la longitud y la calidad de los conductos sustituidos, y comprobar que el circuito no tiene ninguna pérdida.

7.3 PELIGROS EN LA MANIPULACIÓN DE SUSTANCIAS QUÍMICAS.

- Si se utilizan productos químicos, debe exigirse al fabricante la ficha técnica y seguir las prescripciones de uso y adjuntarla a la documentación referente a la seguridad laboral de la empresa.

8. ELEMENTOS DE SEGURIDAD Y MEDIDAS CORRECTORAS

El principal elemento de seguridad del sistema es la válvula desgasificadora que tiene como principal objetivo el de garantizar que la presión máxima en el interior del CLORIMAX nunca será superior a los 2.5-3 bares.

En la salida, colocada en la parte superior del CLORIMAX se rosca una "T" quedando dos de sus extremos libres. En uno de estos extremos se rosca una válvula por donde sale la solución clórica o brómica hacia la piscina. En el otro extremo se rosca la válvula de desgasificadora.

Esta válvula tiene una salida a través de un racor desde donde y por medio de un tubo de plástico de color blanco, se conecta a la tubería de retorno. También se suministra otro conjunto racor para poder realizar la conexión con la tubería de retorno.

Los elementos de seguridad no se pueden manipular ni desmontar por anular la función de seguridad para la que están diseñadas.

II.- INSTRUCCIONES DE FUNCIONAMIENTO

1. DESCRIPCIÓN DEL EQUIPO.

Equipo CLORIMAX, dosificadores compactos. Construidos con material resistente al cloro y al bromo. Su instalación siempre es en by-pass. Es un equipo fácilmente adaptable a cualquier instalación de piscina entre 200 y 1000 m³. En volúmenes superiores se podría instalar más de un dosificador.

Código: 16631

Pesa neto (Kg): 14

Capacidad (l): 40

Presión máxima: 2.5-3bar

Material: poliéster y fibra de vidrio.

Código: 16632

Pesa neto (Kg): 18

Capacidad (l): 60

Presión máxima: 2.5-3bar

Material: poliéster y fibra de vidrio.

El equipo CLORIMAX permite la correcta desinfección del agua de la piscina, utilizando los productos compactos de tricloro 34433, 34434, 34435, 34437 o tabletas de bromo 16550 o 28740.

2. FUENTES DE ALIMENTACIÓN

Las fuentes de alimentación de energía que necesita el equipo para su funcionamiento son las siguientes:

2.1 ALIMENTACIÓN HIDRÁULICA.

Comprobar que las tuberías de pvc del sistema se encuentran en correctas condiciones y comprobar su estanqueidad ya que podría provocar una falta de presión en el sistema. En caso de que la presión fuera insuficiente, el equipo no funcionaría correctamente.



En ningún caso el equipo debe hacerse operaciones de mantenimiento o manipulaciones que no sean propias de las tareas productivas, sin desconectar las fuentes de alimentación energética (hidráulicas).

3. MANDOS

Se debe utilizar un medidor de caudal situado en la entrada. La principal función del medidor de caudal es la de controlar el caudal de agua que circula a través del dispositivo para precisar la dosificación del desinfectante.

Válvulería que permite el paso correcto del fluido.

4. RIESGOS

4.1. RIESGOS DEL EQUIPO

Pictograma	Tipo de riesgo	Tarea
	Aplastamiento	Puesta en marcha
	Atrapamiento	Limpieza y mantenimiento
	Resbalar	Uso, limpieza y mantenimiento.
	Impacto de proyección de piezas por explosión	Limpieza y mantenimiento

Otros riesgos:

- Corte de suministro
- Riesgos de inhalación
- Errores de montaje
- Rotura de piezas



Antes de abrir el dosificador para revisarlo o reponer la carga, tiene que haber funcionado durante unos 30 minutos.



No fumar mientras se abra o manipule el CLORIMAX







En caso de funcionamiento no prolongado, vaciar siempre el dosificador y sacar la carga se su interior.



Utilice el producto compactos de tricloro 34433, 34434, 34435, 34437 o tabletas de bromo 16550 o 28740

4.2. RIESGOS DE LOS PRODUCTOS UTILIZADOS:

Pictograma	Riesgo	Producto
	Corrosivo	16550 o 28740
	Peligroso para el medio ambiente	16550 o 28740 y 34433, 34434, 34435, 34437
	Comburente	16550 o 28740
	Nocivo	16550 o 28740 y 34433, 34434, 34435, 34437

4.3. RIESGOS EN LA ZONA

Ya que se trata de una ambiente con mucha humedad, debemos tener en cuenta los riesgos de los dispositivos (bombas) que se acoplaran al dosificador. Basándonos en el decreto de baja tensión ITC-BT-18.

Según el Real Decreto 486/1997 sobre lugares de trabajo, la zona en la que se utilizará el equipo necesita de una buena iluminación para evitar el riesgo de caída por falta de iluminación.



Riesgos eléctricos directos e indirectos



Riesgo de caída por falta de iluminación

5. MEDIDAS CORRECTORAS DERIVADAS DE LOS RIESGOS.

Basándonos en los riesgos mencionados en el apartado anterior, el equipo dispone de diferentes medidas de seguridad.

Para evitar posibles atrapamientos y aplastamientos, el transporte y montaje del dispositivo tendrá que ser en vacío.

Para evitar posibles caídas al mismo nivel, el habitáculo donde se emplace la instalación deberá disponer de un piso con un nivel de adherencia según CTE, o normas complementarias.

El riesgo de impacto por proyección de piezas provocada por una explosión se minimiza gracias a la utilización de la válvula desgasificadora.

Para evitar los posibles riesgos eléctricos derivados del trabajo en un medio húmedo, la bomba y el equipo eléctrico deben disponer de un magnetotérmico y la correspondiente conexión a tierra.

Los riesgos químicos de que existen con la manipulación de las diferentes sustancias se minimizaran mediante la utilización de los diferentes equipos de protección individual.

Para evitar los riesgos de inhalación, el montaje, carga i mantenimiento del dispositivo se hará en un lugar ventilado.

6. EQUIPOS DE PROTECCIÓN INDIVIDUAL PARA EL OPERARIO:

EPI	Descripción	Tarea
	Guantes no desechables de protección contra productos químicos	Puesta en marcha, uso, limpieza y mantenimiento.
	Cazado de seguridad frente a productos químicos y con propiedades adherentes	Puesta en marcha, uso, limpieza y mantenimiento.
	Gafas de protección contra impactos de partículas y salpicaduras de productos químicos.	Puesta en marcha, uso, limpieza y mantenimiento.
	Ropa de protección contra productos químicos	Puesta en marcha, uso, limpieza y mantenimiento solo al utilizar el producto 16550 o 28740.
	Mascarilla auto filtrante para partículas	Puesta en marcha, uso, limpieza y mantenimiento.
	Mascara filtrante para la protección contra gases y partículas.	Puesta en marcha solo al utilizar el producto 34433, 34434, 34435 o 34437.

7. PROCESO DE LIMPIEZA.

No se puede limpiar el equipo si está en funcionamiento. Cuando se pase el limpia fondos se tendrán que aislar el by-pass, de esta forma se evitará que parte de la suciedad entre en la piscina. Para hacer el cambio de la carga y la correspondiente puesta en servicio se ha de comprobar la estanqueidad del dispositivo sin colocar la carga en su interior, como se muestra en el manual de instalación y mantenimiento

8. CARGA DEL EQUIPO

El procedimiento de carga del equipo se realizará después de su puesta en funcionamiento y de haber comprobado la estanqueidad del sistema hidráulico.

El procedimiento es el siguiente:

17. Cerrar las válvulas de entrada y salida de agua
18. Abrir la válvula de purga, dejando salir parte del agua del interior del CLORIMAX.
19. Cerrar la válvula de purga
20. Abrir la válvula del dosificador CLORIMAX
21. Con el 75% del CLORIMAX lleno de agua, colocar con cuidado el producto: **(Modelo 16631 o 15210, carga máx. de 20Kg, y Modelo 16632 o 15211, carga máxima de 30Kg)** según Tabla
22. Llenar de agua el CLORIMAX abriendo ligeramente la válvula de entrada de agua
23. Colocar y cerrar la tapa del dosificador.

***Si el CLORIMAX está cerrado, SIEMPRE deberá haber una válvula abierta para permitir el escape de gases (la válvula desgasificadora se considera solo un escape de emergencia).**

9. FUNCIONAMIENTO PASO A PASO

FUNCIONAMIENTO Y PUESTA EN SERVICIO:

Comprobación de la estanqueidad:

Una vez realizado el montaje del CLORIMAX, y sin haber colocado en su interior la carga de CTX-370 COMPACTOS DE TRICLORO o CTX-130 TABLETAS DE HALOBROM se procederá a la comprobación de la estanqueidad. Para ello:

1. Cerrar la tapa del CLORIMAX.
2. Cerrar la válvula de purga (P)
3. Poner el equipo de filtración en marcha.
4. Abrir la válvula de salida (2) y la de entrada (1), dejando circular el agua a través del CLORIMAX.

5. Transcurridos unos minutos, comprobar que no existe ninguna pérdida de agua en la instalación.

FUNCIONAMIENTO DEL CLORIMAX

Con la carga en el interior del dosificador y estando éste cerrado:

1. Mantener la válvula de purga (P) cerrada.
2. Abrir totalmente la válvula de salida (2) de agua.
3. Abrir la válvula de entrada (1) de agua, regulándola para obtener en el agua de la piscina un residual de cloro libre entre 0.5 y 2 ppm. Si se desinfecta con bromo, su residual debe oscilar entre 3 y 6 ppm.

“SELECCIÓN DE LA CARGA DEL CLORIMAX”

Tabla 1

CAPACIDAD DE LA PISCINA EN m^3	MODELO DOSIFICADOR	CARGA COMPACTO DE (Kg*s)	Concentración (Kg*s/l)
0-100	16631 o 15210	2-4	0-0,00004
100-200	16631 o 15210	4-8	0,00004
200-300	16631 o 15210	8-12	0,00004
300-400	16632 o 15211	12-16	0,00004
400-500	16632 o 15211	16-20	0,00004

Tabla 2

CAPACIDAD DE LA PISCINA EN m^3	MODELO DOSIFICADOR	CARGA COMPACTO DE (Kg*s)	Concentración (Kg*s/l)
0-50	16631 o 15210	2-5	0-0,0001
50-100	16631 o 15210	5-10	0,0001
100-200	16631 o 15210	10-20	0,0001
200-300	16632 o 15211	20-30	0,0001
300-450	16632 o 15211	30-45	0,0001

Una vez seleccionada la carga de tricloro (34433, 34434, 34435, 34437) o bromo (16550, 28740) en función del volumen de la piscina, es importante mantener constante el nivel de carga dentro del CLORIMAX, a medida que éste vaya funcionando. Para ello aconsejamos cada 3-4 días abrir el CLORIMAX y reponer la carga.

IMPORTANTE: Cuando se tenga que reponer la carga del CLORIMAX, éste se deberá poner en funcionamiento un mínimo de 30 minutos antes de ser abierto.

Las dosificaciones de los productos deberán ser las mostradas en las tablas 1 y 2.

En caso de utilizar productos correspondientes a otras referencias, deberá consultar con nuestro proveedor.

10. FUNCIONAMIENTO DEL CLORIMAX.

Con la carga en el interior del dosificador y estando éste cerrado:

7. Mantener la válvula de purga cerrada.
8. Abrir totalmente la válvula de salida de agua
9. Abrir la válvula de entrada de agua, regulándola para obtener en el agua de la piscina un residual de cloro libre entre 0.5 y 2ppm. Si se desinfecta con bromo, su residual debe oscilar entre 3 y 6ppm.

10.1. NOTAS

- En aquellas piscinas en que la floculación se realice en continuo (a través de bomba dosificadora), la inyección del floculante se hará pasada la toma de agua que alimenta el CLORIMAX para evitar que parte del floculante pase a través del CLORIMAX.
- No deben utilizarse tabletas de floculante en los skimmers mientras esté en funcionamiento el CLORIMAX.

IMPORTANTE: nunca utilizar los productos tricloro (34433, 34434, 34435, 34437) o bromo (16550, 28740) simultáneamente. Si se desea cambiar del uno al otro, vaciar previamente el dosificador, sacar y poner a secar los restos de las tabletas existentes antes de guardarlas.

11. RESPONSABILIDAD DEL OPERARIO DEL EQUIPO.

El operario debe estar capacitado para realizar una serie de tareas. A continuación se presentan los requerimientos:

- Conocimiento de todos los elementos de funcionamiento general de la equipo para poder ejecutarla correctamente.
- Conocimiento de la ficha de datos de seguridad para poder actuar ante cualquier emergencia.
- Ser Capaz de ajustar el equipo para adaptarla a los diferentes productos que se pueden utilizar.
- Conocimiento de todos los defectos a controlar descritos en el dossier de calidad.
- Avisar al responsable cuando se observa que el equipo no está trabajando en condiciones óptimas o se observa algún desperfecto.
- Registrar correctamente las cantidades producidas de cada pedido.
- Mantener limpia y ordenada el área de trabajo y los armarios en orden.

12. FUNCIONES DE SEGURIDAD

El dispositivo de seguridad del dosificador es una válvula desgasificadora. La válvula desgasificadora tiene como principal objetivo evitar que la presión del interior del dosificador supere los 2.5-3 bares.

13. MAL USO DEL EQUIPO.

NO REALIZAR OPERACIONES DE MANTENIMIENTO CON EL EQUIPO EN MARCHA.

Durante el proceso de mantenimiento del dispositivo o durante el cambio de alguna pieza asegurarse de que está bien sujeta ya que si no podría provocar pérdidas en el dispositivo.

NO CARGAR CON EXCESO DE PRODUCTO QUÍMICO.

Controlar la cantidad de producto que se carga en el dispositivo ya que, si se carga en exceso provocaría un aumento en el riesgo de toxicidad, a su vez, si la carga es inferior el funcionamiento del dispositivo no será el correcto.

NO CERRAR LA VÁLVULA DE SALIDA MIENTRAS EL EQUIPO FUNCIONA
Durante el funcionamiento asegurarse que la válvula de salida está abierta si la de entrada también lo está.

NO UTILIZAR NINGÚN TIPO DE ACEITE NI DE DESENGRASANTE.

No se deberá utilizar ningún tipo de aceite ni desengrasante durante la utilización y mantenimiento del equipo ya que esto provocaría el desgaste de las juntas utilizadas en el sistema hidráulico, derivando en posibles fugas que conllevarían a una pérdida de presión en el sistema o la posible rotura del equipo.

III.- MANTENIMIENTO

1.MANTENIMIENTO GENERAL

Las instrucciones de mantenimiento están hechas con el objetivo de ser una norma general para iniciar el mantenimiento del equipo. Se recomienda que se sigan, y que se complementen con una planificación.

Es importante establecer unos criterios, donde se adapta el mantenimiento del equipo a las condiciones reales de trabajo, que serán diferentes según las características reales de cada tarea en particular y en función de diferentes factores como pueden ser el ritmo de trabajo, polvo en el ambiente, humedad, atmósfera corrosiva, características del material.

Se debe tener en cuenta que los tiempos dedicados a mantenimiento, se pueden planificar las horas más convenientes, y que afecten lo menos posible en el trabajo, si por el contrario no se realiza un mantenimiento correcto del equipo, las averías se pueden presentar en el momento más inoportuno.

Medidas generales en el mantenimiento de los equipos.

- Todas las partes del equipo debe estar limpias.
- Engrasar de forma periódica las partes metálicas.
- Se recomienda revisar regularmente el estado de las fijaciones y elementos de seguridad.
- Comprobar todos los componentes de la válvula desgasificadora cada 3 meses y cambiarla ante cualquier anomalía.
- Comprobación de posibles pérdidas del sistema de forma mensual.

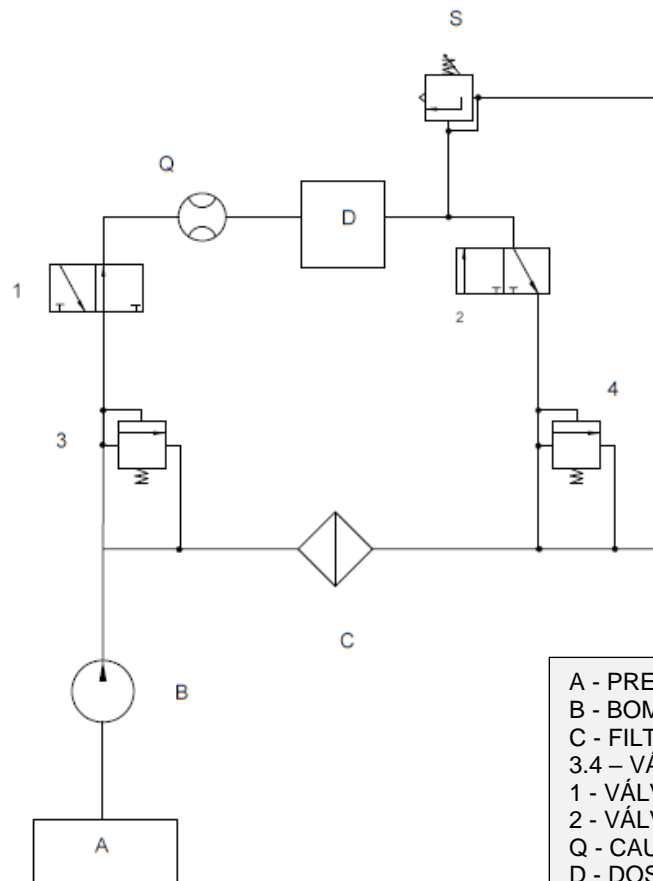
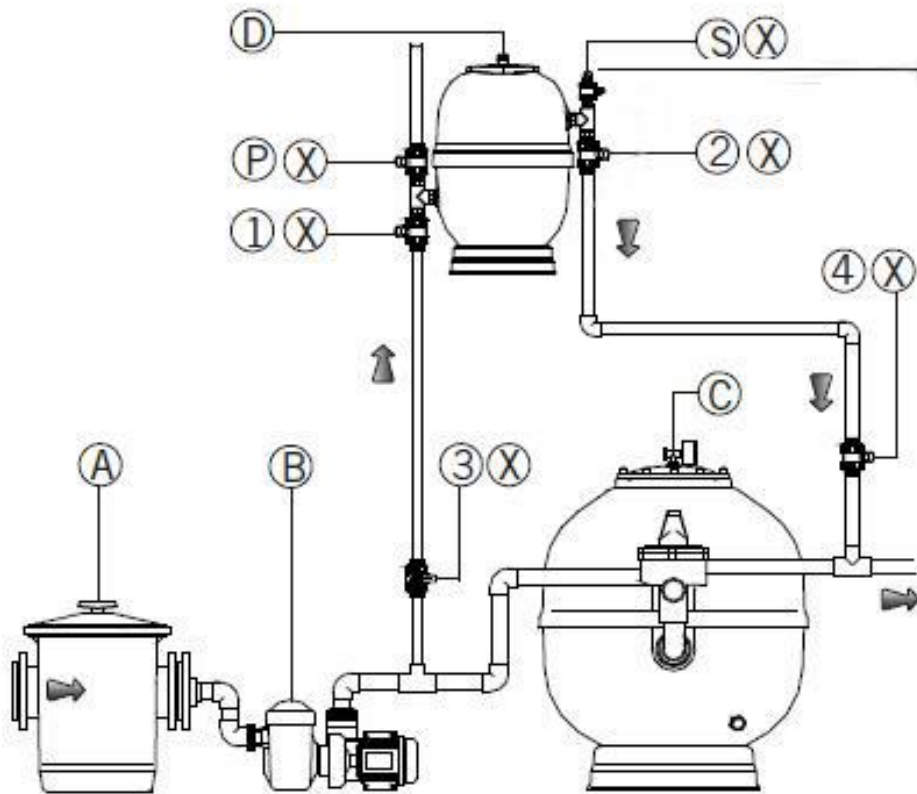
IMPORTANTE: Cuando se tenga que realizar el mantenimiento del CLORIMAX, éste se deberá poner en funcionamiento un mínimo de 30 minutos antes de ser abierto.

3. MANTENIMIENTO EQUIPO HIDRÁULICO

- Comprobar que no existen fugas en todos los conductos, cuando el equipo está en funcionamiento.
- Comprobar el estado de las sujeciones, juntas y válvulas cada 3 meses.
- Revisar todas las conducciones y sustituir las que están rotas o deterioradas.
- Si el CLORIMAX dispone de un medidor de caudal, se procederá con frecuencia a la limpieza del filtro que se encuentra en la entrada del medidor de caudal.
-

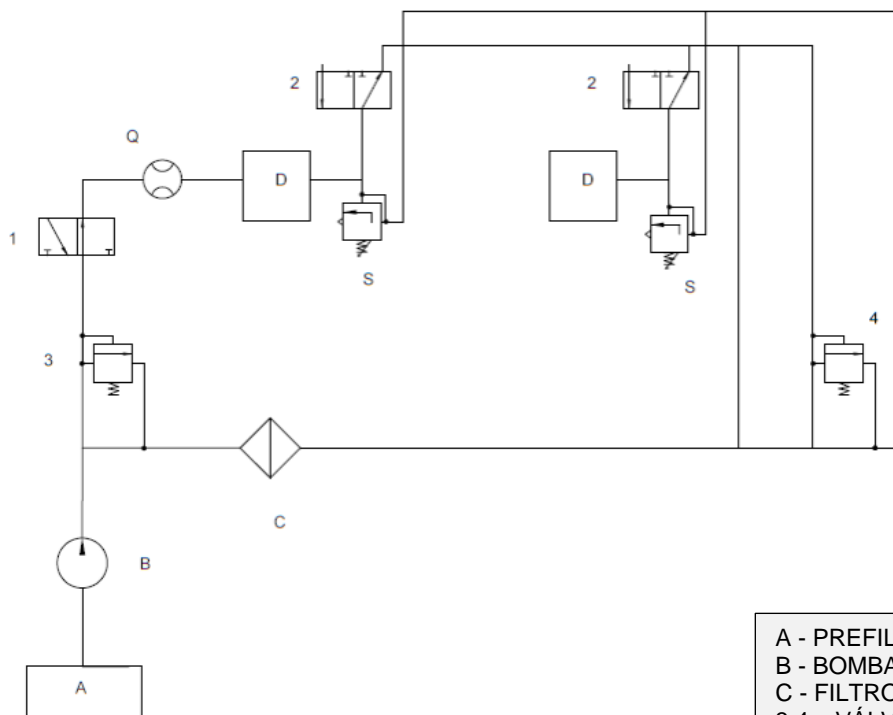
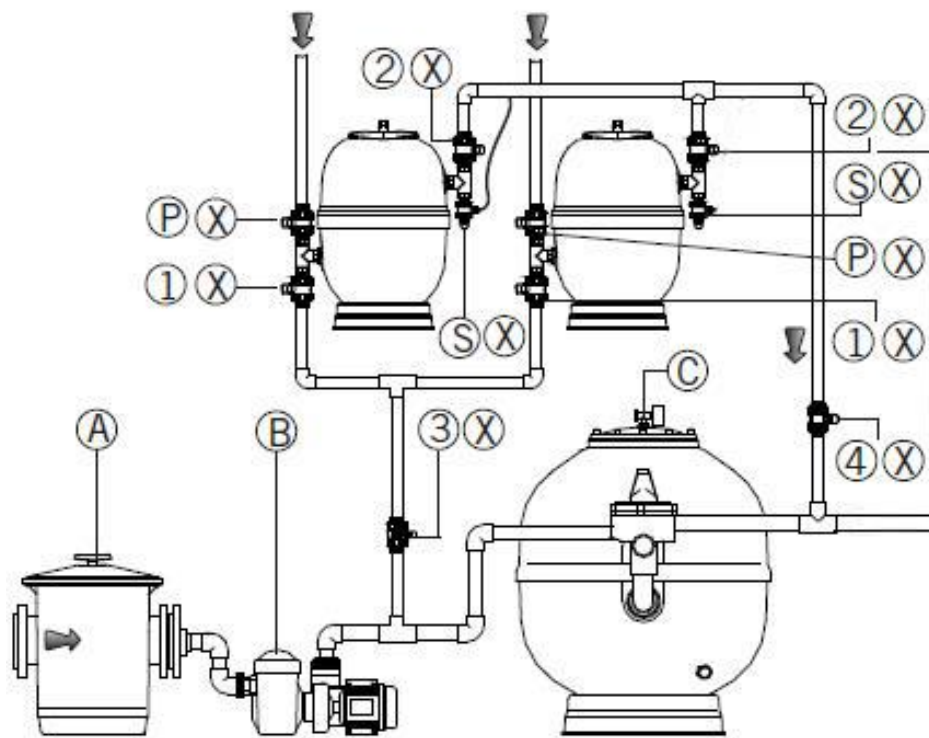
IV-ESQUEMA HIDRÀLICO

1. Instalación con un dosificador:



- A - PREFILTRO
- B - BOMBA
- C - FILTRO
- 3.4 - VÁLVULA BY PASS
- 1 - VÁLVULA DE ENTRADA
- 2 - VÁLVULA DE SALIDA
- Q - CAUDALÍMETRO
- D - DOSIFICADOR
- S - VÁLVULA DESGASIFICADORA

2. Instalación con más de un dosificador:



- A - PREFILTRO
- B - BOMBA
- C - FILTRO
- 3.4 - VÁLVULA BY PASS
- 1 - VÁLVULA DE ENTRADA
- 2 - VÁLVULA DE SALIDA
- Q - CAUDALÍMETRO
- D - DOSIFICADOR
- S - VÁLVULA DESGASIFICADORA

VERZEICHNIS

I.- SICHERHEITSANWEISUNGEN

1. RECHTLICHER RAHME
2. GRUNDSÄTZE DER ORDNUNGSGEMÄSSEN ANWENDUNG
3. ORGANISATORISCHE SICHERHEITSMASSNAHMEN
4. PERSONAL UND DESSEN QUALIFIKATION
5. SICHERHEIT UND BETRIEB
 - 5.1. VOR DER INBETRIEBNAHME
 - 5.2. INBETRIEBNAHME
6. BESONDERE ARBEITEN
7. BESONDERE GEFAHREN
 - 7.1. ELEKTRISCHE GEFAHREN
 - 7.2. HYDRAULISCHE GEFAHREN
 - 7.3. GEFAHREN BEI DER VERARBEITUNG VON ÖLEN, FETTEN UND ANDEREN CHEMIKALIEN
8. SICHERHEITSELEMENTE UND KORREKTURMASSNAHMEN

II.- BETRIEBSANWEISUNGEN

1. BESCHREIBUNG DER AUSSTATTUNG
2. VERSORGUNGSQUELLEN
 - 2.1 HYDRAULIKVERSORGUNG
3. STEUERTAFELN
4. RISIKEN
 - 4.1. RISIKEN IN BEZUG AUF DIE AUSSTATTUNG
 - 4.2. RISIKEN IN BEZUG AUF DIE VERWENDETEN PRODUKTE
 - 4.3. RISIKEN INNERHALB DES BEREICHS

5. AUS DEN RISIKEN ABGELEITETE KORREKTURMASSNAHMEN
6. PERSÖNLICHE SCHUTZAUSRÜSTUNG FÜR DEN BEDIENER
7. REINIGUNGSVERFAHREN
8. BELADUNG DER AUSSTATTUNG
9. SCHRITT NACH SCHRITTBETRIEBEN

10. BETRIEB DES CLORIMAX
 - 10.1 HINWEISE
11. VERANTWORTUNG DES BEDIENERS DER AUSSTATTUNG
12. SICHERHEITSFUNKTIONEN
13. FEHLANWENDUNG DER AUSSTATTUNG

III.- INSTANDHALTUNG

1. ALLGEMEINE INSTANDHALTUNG
2. INSTANDHALTUNG DER HYDRAULIKAUSSTATTUNG

IV.- HYDRAULIKSCHEMA

I.- SICHERHEITSANWEISUNGEN

1.RECHTLICHER RAHMEN

Die Ausstattung unterliegt der Richtlinie 97/23/EG des Europäischen Parlaments und des Rates hinsichtlich Druckausstattungen.

- Die Ausstattung verwendet eine Flüssigkeit der Gruppe 1.
- Der maximal zulässige Druck der Ausstattung beträgt 3 kg/cm².
- Maximale Kapazität 60 Liter
- $P \times V = 180$

Die Ausstattung hat keine Kategorie und darf nicht mit CE gekennzeichnet werden

2.GRUNDSÄTZE DER ORDNUNGSGEMÄSSEN ANWENDUNG

Das Design der Ausstattung und deren Montage sind unter Einhaltung der Sicherheitsanforderungen der Richtlinie 89/655/EWG vom 30. November in der durch die Richtlinie 95/63/EG vom 5. Dezember geänderten Fassung über Mindestvorschriften für Sicherheit und Gesundheitsschutz bei Benutzung von Arbeitsmitteln durch Arbeitnehmer bei der Arbeit durchgeführt worden. Dennoch kann es zu Gefahren durch Fehlanwendung und somit zu Schäden an der Ausstattung und anderen Gütern und im schlimmsten Fall zu Verletzungen von Personen kommen.

Die Verwendung der Ausstattung darf nur unter ausgezeichneten technischen Bedingungen, und wenn der Betreiber die für die Anwendung vorgesehenen Bedingungen, Sicherheitshinweise und möglichen Gefahren kennt, gestattet werden. Es ist sehr wichtig, eventuelle Umgebungsstörungen zu beseitigen, die die Sicherheit beeinträchtigen.

Die Verwendung der Ausstattung für Aufgaben, die nicht als normaler Gebrauch definiert worden sind, ist streng untersagt. Die Ausstattung muss für den normalen Gebrauch verwendet werden, für den sie entworfen wurde.

Die Einhaltung und Kenntnis der Betriebs-, Wartungs- und Inspektionsanweisungen sind fester Bestandteil der normalen Verwendung.

3. ORGANISATORISCHE SICHERHEITSMASSNAHMEN

- Es ist darauf zu achten, das Bedienungshandbuch an einem Ort aufzubewahren, der von der Betriebsposition der Ausstattung aus zugänglich ist.
- Zusätzlich zu diesen Sicherheitshinweisen müssen die grundlegenden Unfallschutzbestimmungen sowie die gesetzlich vorgeschriebenen Anweisungen zum Umweltschutz bekannt sein.
- Das mit der Ausstattung arbeitende Personal muss das Sicherheitsdatenblatt der unterschiedlichen Produkte, insbesondere den Abschnitt bezüglich der Erste-Hilfe-Maßnahmen, lesen. Diese Anweisungen gelten auch für Personal, das eventuell mit der Ausstattung arbeiten könnte, wie das Wartungs-, Reparaturpersonal usw.
- Das Personal muss bei der Handhabung der unterschiedlichen Produkte persönliche Schutzausrüstungen tragen auf der Produktverpackung angegeben.
- Die Pumpe trennen, welche die Ausstattung im Falle von Störungen mit Auswirkungen auf die Sicherheit und/oder den Betrieb versorgt, und das zuständige Personal benachrichtigen.
- Es dürfen keine Änderungen oder zusätzlichen Konstruktionen ausgeführt oder Zubehörteile zur Ausstattung hinzugefügt werden, welche die Sicherheitsfunktionen der Ausstattung beeinträchtigen können.

4. PERSONAL UND DESSEN AUSBILDUN

- Personen, die das Gerätehandbuch korrekt gelesen und verstanden haben, können mit dem Gerät arbeiten oder arbeiten.

5. SICHERHEIT UND BETRIEB

5.1 VOR DER INBETRIEBNAHME

- Die Montage der Ausstattung erfolgt mit PVC-Rohren und an einem belüfteten Ort
- Die Dosierung des Produktes sollte den Tabellen 1 und 2 folgen. Die in den Tabellen angegebenen Produktkonzentrationen werden niemals überschritten.
- Es müssen geeignete Maßnahmen ergriffen werden, um sicherzustellen, dass die Ausstattung nur unter sicheren Bedingungen arbeitet. Die Ausstattung darf erst dann in Betrieb genommen werden, wenn das Entgasungsventil funktioniert.
- Es muss regelmäßig geprüft werden, ob sichtbare Mängel oder Störungen vorhanden sind, welche die Sicherheit der Ausstattung oder des Arbeitsplatzes beeinträchtigen können; die zuständigen Personen müssen umgehend informiert werden. Die Pumpe, welche die Ausstattung versorgt, muss bei Beeinträchtigung der grundlegenden Sicherheitsanforderungen umgehend getrennt werden.
- Bevor die Ausstattung in Betrieb genommen wird, ist sicherzustellen, dass keine Person möglichen Ausströmungen der Ausstattung ausgesetzt ist.

5.2 INBETRIEBNAHME

- Das Ablassventil ist jederzeit mit dem Abfluss verbunden.
- Nachdem die Ausstattung aufgebaut und bevor im Inneren die Ladung Trichloro-Tabletten 34433, 34434, 34435, 34437 oder Bromtabletten

16550 oder 28740 angebracht wurde, ist mit der Prüfung der Dichtheit fortzufahren:

16. Den Deckel des CLORIMAX schließen.
17. Das Entlüftungsventil schließen
18. Die Filtrationsausrüstung in Betrieb nehmen
19. Das Ablassventil und das Einlassventil öffnen, sodass das Wasser durch den CLORIMAX zirkuliert.
20. Nach einigen Minuten ist zu prüfen, dass kein Wasserleck an der Anlage vorhanden ist.

- Die Pumpe, welche die Ausstattung im Falle von Betriebsstörungen versorgt, und die Stromquellen vor der Handhabung der Ausstattung trennen.
 - Das entgasungsventil nicht abschalten.
 - Eine jährliche Umstellung des entgasungsventils wird empfohlen.

6. SPEZIELLE ARBEITEN

- Die festgelegte Programmierung der Wartungsarbeiten einhalten, diese Aufgaben dürfen nur von Fachpersonal durchgeführt werden, das hierfür zuständig sind.
- Den Arbeitsbereich markieren und absperren.
- Die Trenn- und Anschlussanweisungen sind bei Arbeiten, die sich auf die Instandhaltung, Änderung, Reparatur oder Einstellung der Ausstattung und ihrer Sicherheitsvorrichtungen auswirken, sowie bei Reparaturen entsprechend den Dienst- und Wartungsanweisungen einzuhalten.
- Die Ausstattung muss während der Reparatur- und Wartungsarbeiten getrennt werden. Dies bedeutet, dass die Druckpumpe getrennt werden muss und sicherzustellen ist, dass kein Wasserfluss oder Wasserdruck durchläuft.

- Die Ausstattung, insbesondere Anschlüsse und Befestigungen, sind zu Beginn und nach Abschluss der Wartung mit geeigneten Produkten sauber zu halten.
- Sämtliche Anschlüsse und Rohrleitungen sind nach der Reinigung auf undichte Stellen, lose Verbindungen und eventuell beschädigte Stellen zu prüfen und die festgestellten Mängel zu reparieren.
- Falls die Demontage der Sicherheitselemente für die Wartung der Ausstattung erforderlich sein sollte, muss die korrekte Installation nach dem Wiedereinbau überprüft werden. Dies gilt insbesondere für das entgasungsventil.
- Beschädigte Teile und andere Komponenten, die durch neue ersetzt worden sind, müssen derart entsorgt werden, dass die Umwelt nicht belastet wird, indem der Sammeldienst eingesetzt wird.

7. BESONDERE GEFAHREN

7.1 ELEKTRISCHE GEFAHREN

- Die Elektroinstallation muss die Niederspannungsverordnung ITC-BT-18 einhalten und auch die europäische Richtlinie 2014/35 / EU.
- Während Reparaturen oder Wartungsarbeiten dürfen die Bereiche der Ausstattung keine elektrische Spannung aufweisen. Vor der Ausführung dieser Aufgaben mit der Ausstattung muss mithilfe eines geeigneten Apparats geprüft werden, dass keine Spannung vorhanden ist. Es ist zu vermeiden, dass elektrische Komponenten wie Pumpenmotor, Anschlüsse usw. bei vorhandener Spannung mit Wasser besprüht werden.

7.2 HYDRAULISCHE GEFAHREN.

- Nur Personal mit Erfahrung und Kenntnissen im Bereich der Hydraulik darf Arbeiten an den Anlagen ausführen.

- Die Leitungen, Kanäle und Befestigungen regelmäßig auf Austritte oder Störungen kontrollieren. Diese müssen umgehend behoben werden.
- Vor dem Start von Reparaturen muss der Druck aus allen Komponenten und Leitungen abgelassen werden, welche die Kreisläufe bilden.
- Die Leitungen müssen korrekt angebracht werden, die Länge und die Qualität der ausgetauschten Rohre müssen geprüft werden und es ist zu kontrollieren, dass der Kreislauf keine Lecks aufweist.

7.3 GEFAHREN BEI DER VERARBEITUNG VON ÖLEN, FETTEN UND ANDEREN CHEMISCHEN SUBSTANZEN.

- Falls chemische Produkte verwendet werden, müssen das technische Datenblatt an den Hersteller gesendet und die Anwendungsvorschriften befolgt werden. Diese müssen der Sicherheitsdokumentation des Unternehmens beigelegt werden.

8. SICHERHEITSELEMENTE UND KORREKTURMASSNAHMEN

Das wichtigste Sicherheitselement des Systems ist das entgasungsventil, dessen Hauptzweck darin besteht sicherzustellen, dass der maximale Druck im Inneren des CLORIMAX niemals 2,5-3 bar übersteigt.

Am Auslass am oberen Abschnitt des CLORIMAX ist ein „T“ angeschraubt, dessen zwei Enden offen sind. An einem dieser Enden wird ein Ventil angeschraubt, durch das die Chlor- oder Bromlösung in den Pool fließt. Am anderen Ende wird das entgasungsventil angeschraubt.

Dieses Ventil verfügt über einen Auslass über ein Verbindungsstück, mit dem eine Verbindung zum Rücklaufrohr über ein weißes Kunststoffrohr hergestellt wird. Zudem wird ein weiteres Verbindungsstück geliefert, um die Verbindung mit dem Rücklaufrohr herstellen zu können.

Die Sicherheitselemente dürfen weder manipuliert noch entfernt werden, indem die Sicherheitsfunktion ausgeschaltet wird, für die sie erstellt wurden

II.- BETRIEBSANWEISUNGEN

1. BESCHREIBUNG DER AUSSTATTUNG.

Ausstattung CLORIMAX, Tabletten-Dosiermaschinen. Aus beständigem Material gegen Chlor und Brom. Seine Installation erfolgt immer im Bypass. Diese Ausrüstung lässt sich leicht an jede Pool-Anlage zwischen 200 und 1000 m³ anpassen. In größeren Mengen lässt sich mehr als eine Dosiermaschine installieren.

Code: 16631

Nettogewicht (Kg): 14

Kapazität (l): 40

Maximaler Druck: 2,5-3 bar

Material: Polyester und Glasfaser.

Code: 16632

Nettogewicht (Kg): 18

Kapazität (l): 60

Maximaler Druck: 2,5-3 bar

Material: Polyester und Glasfaser.

Die CLORIMAX-Ausstattung ermöglicht die korrekte Desinfektion des Poolwassers unter Verwendung der Trichloro-Produkte 34433, 34434, 34435, 34437 oder der Bromtabletten 16550 oder 28740.

2. VERSORGUNGSQUELLEN

Die die für den Betrieb der Ausstattung erforderlichen Energieversorgungsquellen sind Folgende:

2.1 HYDRAULISCHE VERSORGUNG.

Es ist zu prüfen, dass sich die PVC-Rohre des Systems in einwandfreiem Zustand befinden. Darüber hinaus ist deren Dichtheit zu kontrollieren, da anderenfalls ein Druckmangel im System hervorgerufen werden könnte. Falls der Druck nicht ausreichend sein sollte, funktioniert die Ausstattung nicht ordnungsgemäß.



Keinesfalls darf die Ausstattung für Wartungsarbeiten oder Arbeitsschritte betrieben werden, die nicht spezifisch für Produktionsaufgaben gedacht sind, ohne die (hydraulischen) Energieversorgungsquellen zu trennen.









3. STEUERUNGEN

Ein Durchflussmesser muss am Eingang verwendet werden. Die Hauptfunktion des Durchflussmessers besteht darin, den Wasserfluss zu steuern, der durch die Vorrichtung zirkuliert, um die Dosierung des Desinfektionsmittels zu präzisieren.

Ventil, das den korrekten Durchfluss der Flüssigkeit ermöglicht.

4. RISIKEN

4.1. RISIKEN IN BEZUG AUF DIE AUSSTATTUNG

Piktogramm	Art des Risikos	Aufgabe
	Quetschungen	Inbetriebnahme
	Verfangen	Reinigung und Wartung
	Abrutschen	Reinigung und Wartung
	Aufprall von Auswurf von Teilen durch Explosion	Reinigung und Wartung
	Versorgungsstopp	
	Einatmungsrisiken	
	Montagefehler	
	Brechen von Teilen	
	Bevor die Dosiermaschine geöffnet wird, um sie zu kontrollieren oder die Ladung einzusetzen, muss sie ca. 30 Minuten betrieben worden sein.	
	Beim Öffnen und Bearbeiten des CLORIMAX darf nicht geraucht werden	
	Bei nicht andauerndem Betrieb muss die Dosiermaschine immer entleert und die Ladung aus ihrem Inneren entfernt werden.	
	Es sind Trichloro-Tabletten 34433, 34434, 34435, 34437 oder Bromtabletten 16550 oder 28740 zu verwenden	

4.2. RISIKEN IN BEZUG AUF DIE VERWENDETEN PRODUKTE:



Korrosiv



Gefährlich für die Umwelt



Flüchtig

Pictogram	Risk	Product
	Korrosiv	16550 o 28740
	Gefährlich für die Umwelt	16550 o 28740 y 34433, 34434, 34435, 34437
	Flüchtig	16550 o 28740
	schädlich	34433, 34434, 34435, 34437

4.3. RISIKEN IM BEREICH

Da es sich um eine Umgebung mit hoher Feuchtigkeit handelt, müssen die Risiken der an die Dosiermaschine angeschlossenen Vorrichtungen (Pumpen) berücksichtigt werden. Basierend auf dem Niederspannungsdekret ITC-BT-18.

Nach dem Königlichen Dekret 486/1997 bezüglich Arbeitsplätzen benötigt der Bereich, in dem die Ausstattung verwendet wird, eine gute Beleuchtung, um ein Sturzrisiko aufgrund mangelnder Beleuchtung zu verhindern.



Direkte und indirekte elektrische Risiken



Sturzrisiko aufgrund mangelnder Beleuchtung

5. AUS DEN RISIKEN ABGELEITETE KORREKTURMASSNAHMEN

Basierend auf den im vorigen Abschnitt genannten Risiken verfügt die Ausstattung über unterschiedliche Sicherheitsmaßnahmen.

Um mögliches Verfangen und Quetschungen zu vermeiden, müssen der Transport und die Installation der Ausstattung im leeren Zustand erfolgen.

Um Stolpergefahren zu vermeiden, muss der Raum, in dem die Installation erfolgt, über einen Boden mit einem Haftungsniveau gemäß CTE oder ergänzenden Normen verfügen.







Das Risiko eines Aufpralls von Teilen aufgrund einer Explosion wird durch die Anwendung des entgasungsventil minimiert.

Um mögliche elektrische Risiken, die durch die Arbeit in einer feuchten Umgebung entstehen, zu vermeiden, müssen die Pumpe und die elektrische Ausstattung über einen Leistungsschutzschalter und einen entsprechenden Masseanschluss verfügen.

Die chemischen Risiken, die bei der Handhabung der unterschiedlichen Stoffe bestehen, werden durch den Einsatz der verschiedenen persönlichen Schutzausrüstungen minimiert.

Um die Einatmungsrisiken zu vermeiden, müssen die Montage, die Beladung und Wartung der Ausstattung an einem belüfteten Ort erfolgen.

6. PERSÖNLICHE SCHUTZAUSRÜSTUNG FÜR DEN BEDIENER:

EPI	Produktbeschreibung	Hausaufgaben
	Einweg-Chemikalienschutzhandschuhe	Inbetriebnahme, Gebrauch, Reinigung und Wartung.
	Sicherheitsschuhe gegen chemische Produkte und mit anhaftenden Eigenschaften	Inbetriebnahme, Gebrauch, Reinigung und Wartung.
	Schutzbrille gegen Spritzwasser von Partikeln und Spritzern von Chemikalien.	Inbetriebnahme, Gebrauch, Reinigung und Wartung.
	Schutzkleidung gegen Chemikalien	Inbetriebnahme, Verwendung, Reinigung und Wartung nur bei Verwendung des Produkts 16550 oder 28740.
	Selbstpartikelfiltermaske	Inbetriebnahme, Gebrauch, Reinigung und Wartung.
	Filtermaske zum Schutz vor Gasen und Partikeln.	Inbetriebnahme nur bei Verwendung von Produkten 34433, 34434, 34435 oder 34437.

7. REINIGUNGSVERFAHREN.

Die Ausstattung darf nicht gereinigt werden, wenn sie in Betrieb ist. Wenn der Bodenreiniger betrieben wird, muss der Bypass isoliert werden. Auf diese Weise wird verhindert, dass ein Teil des Schmutzes in den Pool gelangt. Um den Ladungswechsel und die entsprechende Inbetriebnahme auszuführen, muss die Ausstattung auf Dichtheit geprüft werden, ohne dass die Ladung in ihr Inneres gelegt wird, wie im Installations- und Wartungshandbuch beschrieben.

8. BELADUNG DER AUSRÜSTUNG

Die Beladung der Ausstattung erfolgt nach der Inbetriebnahme und Prüfung der Dichtheit des Hydrauliksystems. Das Verfahren verläuft wie folgt:

24. Die Einlass- und Auslassventile schließen
25. Das Entlüftungsventil öffnen und einen Teil des Wassers aus dem Inneren des CLORIMAX auslaufen lassen.
26. Das Entlüftungsventil schließen
27. Das Ventil der Dosiermaschine CLORIMAX öffnen
28. Wenn der CLORIMAX zu 75 % mit Wasser gefüllt ist, ist das Produkt vorsichtig einzufüllen: **(Modell 16631 oder 15210, max. Ladung 20 kg. Modell 16632 oder 15211 maximale Ladung 30 kg)** gemäß Tabelle
29. Den CLORIMAX durch leichtes Öffnen des Wassereinlassventils mit Wasser befüllen
30. Die Dosierkappe anbringen und schließen.

*** Falls der CLORIMAX geschlossen ist, sollte IMMER ein Ventil offen sein, um das Entweichen von Gasen zu ermöglichen (das entgasungsventil gilt nur als Notfallauslass).**

9. SCHRITT NACH SCHRITTBETRIEBEN

BEDIENUNG UND INBETRIEBNAHME:

Prüfung der Dichtheit:

Sobald die Montage des CLORIMAX durchgeführt wurde und ohne die CTX-370 COMPACTOS DE TRICLORO oder CTX-130 TABLETAS DE HALOBROM Ladung platziert wurde, wird die Dichtung überprüft. Um dies zu tun:

1. Schließen Sie den Deckel des CLORIMAX.
2. Entlüftungsventil (P)
3. Die Filtrationsausrüstung in Betrieb nehmen.
4. Das Auslassventil (2) und das Einlassventil (1) öffnen und das Wasser durch den CLORIMAX zirkulieren lassen.
5. Nach einigen Minuten ist zu prüfen, ob kein Wasserverlust in der Anlage besteht.

CLORIMAX BETRIEB

Mit der Ladung innerhalb des Spenders und es ist geschlossen:

1. Das Ablassventil (P) geschlossen halten.
2. Wasserablassventil (2) vollständig öffnen.
3. Öffnen Sie das Wassereinlassventil (1) und stellen Sie es ein, um einen Chlorrest im Poolwasser zwischen 0,5 und 2 ppm zu erhalten. Wenn es mit Brom desinfiziert wird, muss sein Rest zwischen 3 und 6 ppm liegen.

„AUSWAHL DER LADUNG DES CLORIMAX“

FASSUNGSVERMÖGEN DES POOLS IM m^3	MODELL DOSIERUNGSMASCHINE	LADUNG TRICHLORO 34433, 34434, 34435, 34437 - TABLETTEN (kg*s)	Konzentra- tion (kg*s/l)
0-100	16631 oder 15210	2-4	0-0,00004
100-200	16631 oder 15210	4-8	0,00004
200-300	16631 oder 15210	8-12	0,00004
300-400	16632 oder 15211	12-16	0,00004
400-500	16632 oder 15211	16-20	0,00004

FASSUNGSVERMÖGEN DES POOLS IM m^3	MODELL DOSIERUNGSMASCHINE	LADUNG BROMTABLETTEN 16550 o 28740 (kg*s)	Konzentr ation (kg*s/l)
0-50	16631 oder 15210	2-5	0-0,0001
50-100	16631 oder 15210	5-10	0,0001
100-200	16631 oder 15210	10-20	0,0001
200-300	16632 oder 15211	20-30	0,0001
300-450	16632 oder 15211	30-45	0,0001

Sobald die Trichlor (34433, 34434, 34435, 34437) o – oder (16550, 28740) Bromladung je nach Poolvolumen ausgewählt wurde, ist es wichtig, das Ladungsniveau innerhalb des CLORIMAX konstant zu halten, während er in Betrieb ist. Hierfür empfehlen wir, den CLORIMAX alle 3-4 Tage zu öffnen und die Ladung wieder aufzufüllen.

WICHTIG: Wenn die Ladung des CLORIMAX ersetzt werden muss, muss dieser mindestens 30 Minuten vor dem Öffnen in Betrieb genommen werden.

Die Dosierungen der Produkte sollten wie in den Tabellen 1 und 2 angegeben sein.

Bei Verwendung von Produkten, die anderen Referenzen entsprechen, wenden Sie sich bitte an unseren Lieferanten.

10. FUNKTION DES CLORIMAX.

Mit der Ladung im Inneren der geschlossenen Dosierungsmaschine:

10. Das Entlüftungsventil geschlossen halten.
11. Das Wasserauslassventil komplett öffnen
12. Das Wassereinlassventil öffnen und es derart einstellen, dass ein freier Chlorrest im Poolwasser zwischen 0,5 und 2 ppm erreicht wird. Wenn mit Brom desinfiziert wird, sollte der Rest zwischen 3 und 6 ppm liegen.

10.1. HINWEISE

- In den Pools, in denen die Ausflockung dauerhaft ausgeführt wird (durch die Dosierungspumpe), erfolgt die Injektion des Flockungsmittels nach dem Wasseranschluss, der den CLORIMAX versorgt, um zu verhindern, dass ein Teil des Flockungsmittels durch den CLORIMAX läuft.
- Es dürfen keine Flockungsmittel-Tabletten in den Skimmern verwendet werden, solange der CLORIMAX in Betrieb ist.

WICHTIG: Es dürfen niemals Trichloro (34433, 34434, 34435, 34437) - und Bromprodukte (16550, 28740) gleichzeitig verwendet werden. Falls ein Mittel durch ein anderes ersetzt werden soll, muss zunächst die Dosiermaschine entleert, die Reste entfernt und die restlichen Tabletten getrocknet werden, bevor sie aufbewahrt werden.

11. VERANTWORTUNG DES BEDIENERS DER AUSTATTUNG.

Der Bediener muss imstande sein, eine Reihe von Aufgaben durchzuführen. Im Folgenden werden die Voraussetzungen aufgelistet:

- Kenntnis sämtlicher allgemeiner Betriebselemente der Ausstattung, um sie richtig bedienen zu können.
- Kenntnis des Sicherheitsdatenblattes, um in jeder Notfallsituation handeln zu können.
- Imstande sein, die Ausstattung einzustellen, um sie an die unterschiedlichen Produkte anzupassen, die eingesetzt werden können.
- Kenntnis sämtlicher zu kontrollierender Mängel, die in den Qualitätsunterlagen beschrieben werden
- Den Verantwortlichen informieren, wenn festgestellt wird, dass die Ausstattung nicht unter optimalen Bedingungen betrieben wird oder Mängel festgestellt werden.

- Die für jede Bestellung produzierten Mengen korrekt erfassen.
- Den Arbeitsbereich sowie die Schränke sauber und ordentlich halten.

12. SICHERHEITSFUNKTIONEN

Die Sicherheitsvorrichtung der Dosiermaschine ist ein entgasungsventil. Der Hauptzweck des entgasungsventil besteht darin, zu verhindern, dass der Innendruck der Dosiermaschine 2,5-3 bar übersteigt.

13. FEHLANWENDUNG DER AUSSTATTUNG.

ES DÜRFEN KEINE WARTUNGSVERFAHREN DURCHGEFÜHRT WERDEN, SOLANGE DIE AUSSTATTUNG IN BETRIEB IST.

Während des Wartungsverfahrens der Vorrichtung oder während des Austausches einer Komponente muss darauf geachtet werden, dass sie gut gesichert ist, da es andernfalls zu Lecks innerhalb der Vorrichtung kommen könnte.

NICHT ÜBERMÄSSIG MIT CHEMISCHEM PRODUKT BELADEN.

Die Produktmenge, die in die Vorrichtung geladen wird, muss geprüft werden, da bei einer übermäßigen Beladung das Toxizitätsrisiko erhöht würde. Falls die Ladung jedoch zu niedrig sein sollte, ist der Betrieb der Vorrichtung nicht korrekt.

WÄHREND DES BETRIEBS DER AUSSTATTUNG DARF DAS ABLASSVENTIL NICHT GESCHLOSSEN WERDEN Während des Betriebes ist sicherzustellen, dass das Ablasventil geöffnet ist, wenn das Einlassventil es auch ist.

VERWENDEN SIE NICHT OBEN ODER ODER DEGREASER.

Verwenden Sie bei der Verwendung und Wartung des Gerätes keine Öl- oder Entfettungsmittel, da dies zu Verschleiß der im Hydrauliksystem verwendeten Gelenke führen würde, was zu möglichen Leckagen führt, die zu einem

Druckverlust im System oder zu einem möglichen Bruch führen würden des Teams.

III.- INSTANDHALTUNG

1.ALLGEMEINE WARTUNG

Die Wartungsanweisungen sind mit dem Ziel erstellt worden, eine allgemeine Richtlinie für die Instandhaltung der Vorrichtung zu sein. Es empfiehlt sich, sie zu befolgen und durch eine Planung zu ergänzen.

Es ist wichtig, einige Kriterien festzulegen, laut der die Wartung der Vorrichtung an die tatsächlichen Arbeitsbedingungen angepasst wird. Diese Bedingungen weichen je nach den tatsächlichen Eigenschaften jeder einzelnen Aufgabe und je nach unterschiedlichen Faktoren, wie Arbeitsgeschwindigkeit, Staub in der Umgebung, Feuchtigkeit, korrosive Atmosphäre, Materialeigenschaften, ab.

Es ist zu beachten, dass für die Zeit, die der Wartung gewidmet wird, die günstigsten Stunden eingeplant werden können, welche die Arbeit so wenig wie möglich beeinflussen. Falls dagegen keine korrekte Wartung der Vorrichtung ausgeführt wird, können Störungen in den unangemessensten Momenten auftreten.

Allgemeine Maßnahmen bei der Wartung von Ausstattungen.

- Alle Komponenten der Ausstattung müssen sauber sein.
- Die Metallkomponenten müssen regelmäßig gefettet werden.
- Es empfiehlt sich, den Zustand der Befestigungen und Sicherheitseigenschaften regelmäßig zu prüfen.
- Sämtliche Komponenten des entgasungsventil müssen alle 3 Monate geprüft und im Falle einer Störung ersetzt werden.
- Monatliche Prüfung auf mögliche Lecks im System.

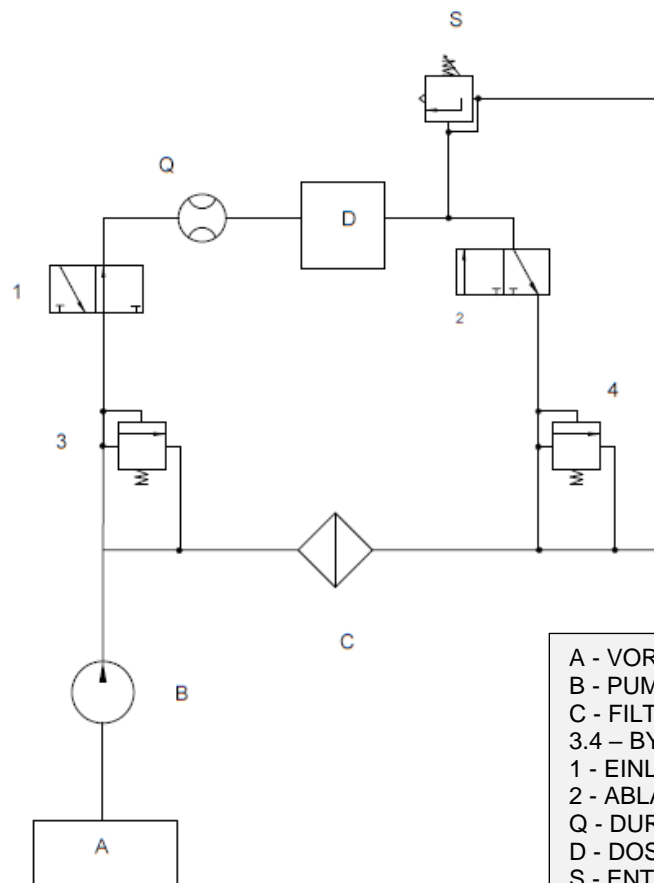
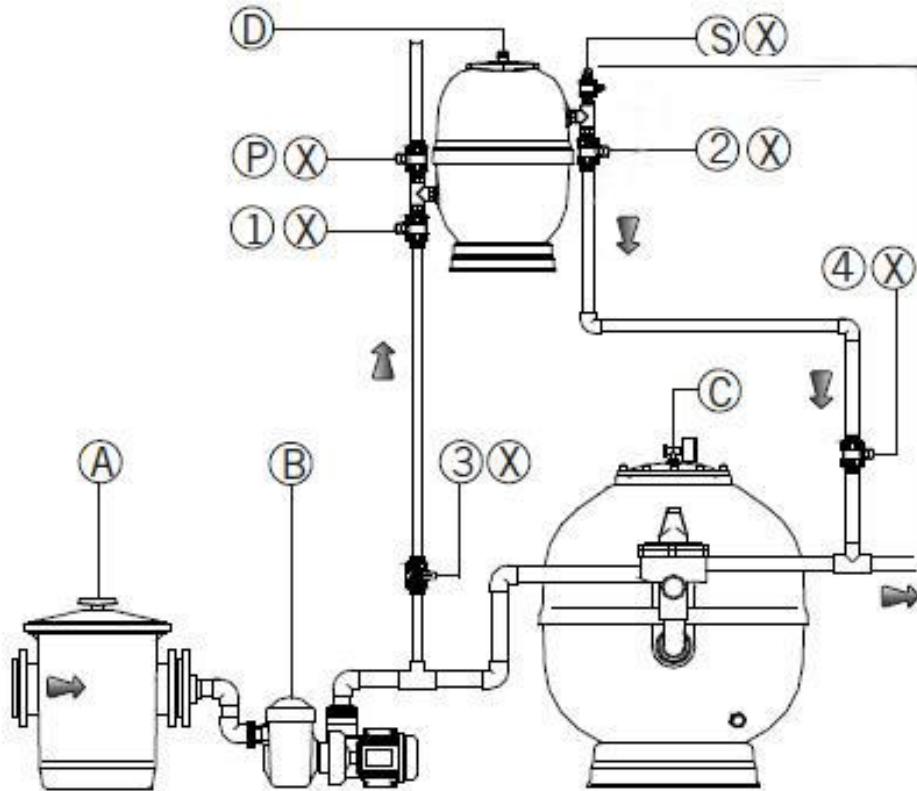
WICHTIG: Wenn die Wartung des CLORIMAX ausgeführt werden muss, muss dieser mindestens 30 Minuten vor der Öffnung in Betrieb genommen werden.

2.WARTUNG DER HYDRAULISCHEN AUSSTATTUNG

- Es ist zu prüfen, dass keine Lecks in den Leitungen vorhanden sind, während die Ausstattung in Betrieb ist.
- Alle 3 Monate ist der Zustand der Befestigungen, Verbindungen und Ventile zu prüfen.
- Sämtliche Leitungen sind zu prüfen und diejenigen zu ersetzen, die gebrochen oder beschädigt sind.
- Falls der CLORIMAX über einen Durchflussmesser verfügt, muss der Filter am Eingang des Durchflussmessers häufig gereinigt werden.

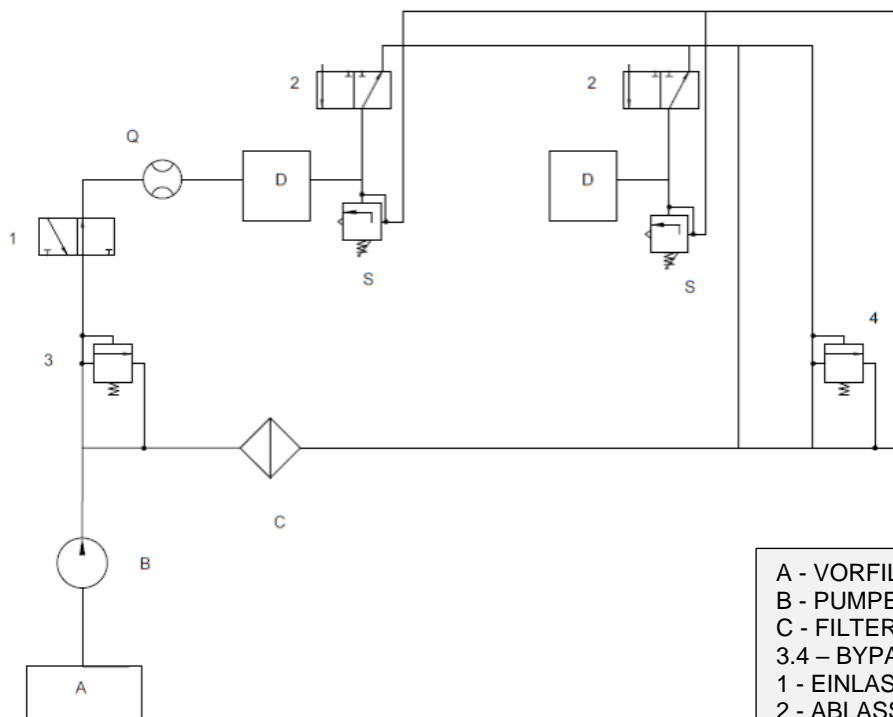
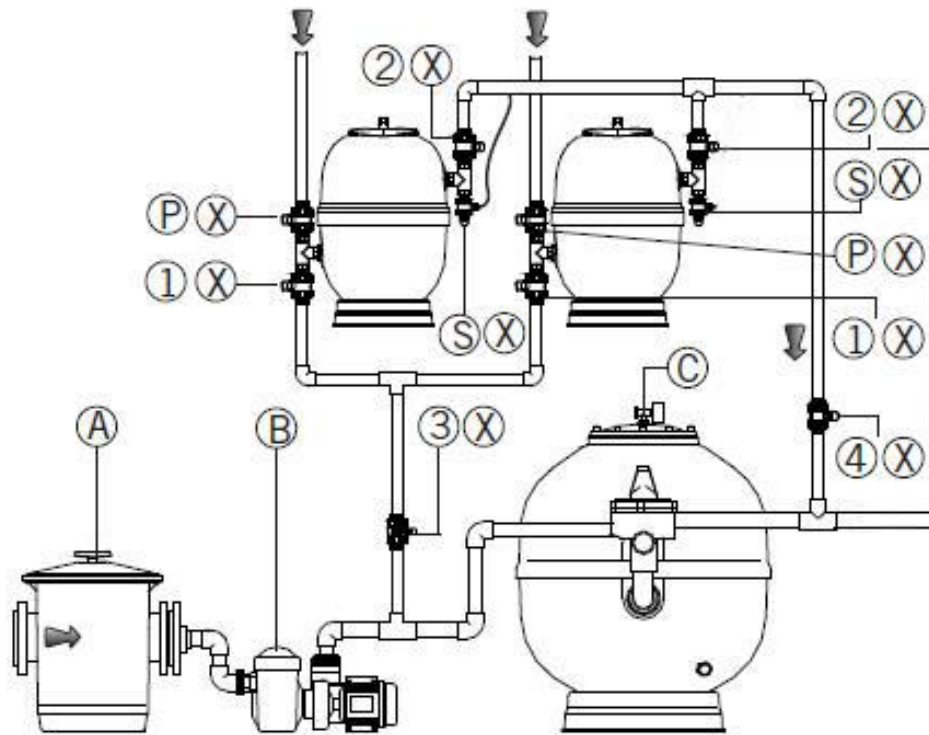
IV.- HYDRAULIKSCHEMA

1. Installation mit einer Dosierungsmaschine:



- A - VORFILTER
- B - PUMPE
- C - FILTER
- 3.4 - BYPASS-VENTIL
- 1 - EINLASSVENTIL
- 2 - ABLASSVENTIL
- Q - DURCHFLUSSMESSER
- D - DOSIERUNGSMASCHINE
- S - ENTGASUNGSVENTIL

2.Installation mit mehr als einer Dosierungsmaschine:



- A - VORFILTER
- B - PUMPE
- C - FILTER
- 3.4 - BYPASS-VENTIL
- 1 - EINLASSVENTIL
- 2 - ABLASSVENTIL
- Q - DURCHFLUSSMESSER
- D - DOSIERUNGSMASCHINE
- S - ENTGASUNGSVENTIL

INDICE

I.- ISTRUZIONI DI SICUREZZA

- 1. AMBITO NORMATIVO**
- 2. CRITERI PER UN CORRETTO UTILIZZO**
- 3. MISURE ORGANIZZATIVE PER LA SICUREZZA**
- 4. PERSONALE E QUALIFICHE**
- 5. SICUREZZA E FUNZIONAMENTO**
 - 5.1. PRIMA DELL'AVVIAMENTO**
 - 5.2. AVVIAMENTO**
- 6. OPERAZIONI SPECIALI**
- 7. RISCHI PARTICOLARI**
 - 7.1. PERICOLI ELETTRICI**
 - 7.2. PERICOLI IDRAULICI**
 - 7.3. PERICOLI LEGATI ALLA MANIPOLAZIONE DI OLI, GRASSI E ALTRE SOSTANZE CHIMICHE**
- 8. ELEMENTI DI SICUREZZA E MISURE CORRETTIVE**

II.- ISTRUZIONI DI FUNZIONAMENTO

- 1. DESCRIZIONE DELL'APPARECCHIO**
- 2. FONTI DI ENERGIA**
 - 2.1 ALIMENTAZIONE IDRAULICA**
- 3. COMANDI**
- 4. RISCHI**
 - 4.1. RISCHI LEGATI ALL'APPARECCHIO**
 - 4.2. RISCHI LEGATI AI PRODOTTI IMPIEGATI**

- 4.3. RISCHI NELL'AREA**
- 5. MISURE CORRETTIVE RELATIVE AI RISCHI**
- 6. ATTREZZATURE DI PROTEZIONE INDIVIDUALE PER L'OPERATORE**
- 7. OPERAZIONI DI PULIZIA**
- 8. CARICA DELL'APPARECCHIO**
- 9. OPERAÇÃO PASSO A PASSO**
- 10.FUNZIONAMENTO DEL CLORIMAX**
- 10.1NOTE**
- 11. RESPONSABILITÀ DELL'OPERATORE DELL'APPARECCHIO**
- 12.FUNZIONI DI SICUREZZA**
- 13. USO IMPROPRIO DELL'APPARECCHIO**

III.- MANUTENZIONE

- 1. MANUTENZIONE GENERALE**
- 2.MANUTENZIONE APPARECCHIO IDRAULICO**

IV-SCHEMA IDRAULICO

I.- ISTRUZIONI DI SICUREZZA

1.AMBITO NORMATIVO

L'apparecchio è disciplinato dalla Direttiva 97/23/CE del Parlamento Europeo in materia di attrezzature a pressione.

- L'apparecchio impiega un tipo di fluido Gruppo 1.
- La pressione massima ammissibile è di 3 kg/cm².
- Capacità massima: 60 litri
- $P \times V = 180$

L'apparecchio non è classificato e non richiede marcatura CE

2.CRITERI PER UN CORRETTO UTILIZZO

Il progetto dell'apparecchio e la sua installazione sono stati realizzati in conformità con i requisiti minimi di sicurezza previsti dalla Direttiva 89/655/CEE del 30 novembre, modificata dalla Direttiva 95/63/CE del 5 dicembre, che stabilisce le disposizioni minime di sicurezza e salute per l'uso di attrezzature di lavoro da parte dei lavoratori. Ciononostante, possono verificarsi rischi dovuti all'utilizzo scorretto, e, di conseguenza, danni all'apparecchio e ad altre risorse, come anche, nel peggiore dei casi, danni a persone.

L'utilizzo dell'apparecchio deve avvenire esclusivamente in presenza di perfette condizioni tecniche, che l'operatore è tenuto a conoscere insieme a quelle previste per l'uso, alle istruzioni di sicurezza e ai potenziali rischi. È molto importante eliminare possibili disturbi ambientali che possono pregiudicare la sicurezza.

È severamente vietato l'utilizzo dell'apparecchio per scopi diversi da quelli previsti. L'apparecchio deve essere impiegato per le sole finalità previste dalla sua progettazione.

Costituiscono parte integrante del normale utilizzo il rispetto e la conoscenza delle istruzioni di servizio, della manutenzione e del controllo dell'apparecchio.

3. MISURE ORGANIZZATIVE PER LA SICUREZZA

- Avere cura di tenere il manuale delle istruzioni in un luogo accessibile dalla postazione di lavoro dell'apparecchio.
- A completamento di queste istruzioni di sicurezza, è necessario essere informati sulle regole fondamentali di protezione contro gli incidenti e sulle istruzioni di protezione dell'ambiente, stabilite dalla legge.

- Il personale addetto all'apparecchio è tenuto a leggere la scheda di sicurezza relativa ai diversi prodotti, soprattutto il paragrafo sul primo soccorso. Le presenti istruzioni sono valide anche per il personale che lavora sull'apparecchio in maniera non continuativa, e quindi per manutenzione, riparazioni, ecc.
- Durante la manipolazione dei diversi prodotti, il personale addetto è tenuto a utilizzare mezzi di protezione individuale indicato sull'imballaggio del prodotto.
- Scollegare la pompa alimentatrice dell'apparecchio in caso di anomalie che influiscano sulla sicurezza e/o sul funzionamento, e notificarlo al personale competente.
- Non apportare modifiche, aggiunte, né applicare accessori all'apparecchio che potrebbero influire sulle funzioni di sicurezza dell'apparecchio.

4.1 PERSONALE E FORMAZIONE

- Il personale che ha letto e compreso correttamente il manuale dell'apparecchio può operare o lavorare con l'attrezzatura.

5. SICUREZZA E FUNZIONAMENTO

5.1 PRIMA DELL'AVVIAMENTO

- L'assemblaggio dell'apparecchio avverrà con condutture in PVC e in un ambiente ben ventilato.
- Il dosaggio del prodotto deve essere conforme alle tabelle 1 e 2. Le concentrazioni di prodotto riportate nelle tabelle non verranno mai superate.
- Assicurarsi di prendere le misure opportune a far sì che l'apparecchio lavori soltanto in condizioni sicure. L'apparecchio deve essere messo in funzione solo dopo aver attivato la valvola di degasazione.
- Eseguire revisione periodica, se presenta eventuali difetti visibili o anomalie che possano pregiudicare la sicurezza dell'apparecchio o del luogo di lavoro informare subito il personale competente. Scollegare immediatamente la pompa alimentatrice dell'apparecchio se compromette i requisiti essenziali di sicurezza.
- Prima di mettere in funzione l'apparecchio, assicurarsi che nessuno sia esposto a eventuali fuoriuscite di prodotto.

5.2 AVVIAMENTO

- La valvola di spurgo sarà sempre collegata allo scarico.

- Dopo aver terminato di assemblare l'apparecchio, e prima di collocare al suo interno la carica in pastiglie di CTX o Astral da 250 g o pastiglie di bromo CTX o Astral da 20 g, si procederà alla verifica della tenuta stagna:

21. Chiudere il coperchio del CLORIMAX.

22. Chiudere la valvola di spurgo

23. Mettere in funzione il dispositivo di filtraggio

24. Aprire la valvola di uscita e quella d'ingresso, lasciando circolare l'acqua attraverso il CLORIMAX.

25. Dopo qualche minuto, controllare che non si siano verificate perdite di liquido dall'apparecchio.

- Non disattivare la valvola di degasazione.
- Si consiglia la sostituzione annuale della valvola di degasazione.

6. OPERAZIONI SPECIALI

- Osservare la programmazione stabilita per le operazioni di manutenzione, che possono essere realizzate esclusivamente da personale specializzato con competenze specifiche.
- Segnalare e bloccare l'area di lavoro.
- Nelle operazioni che interessano il funzionamento, la modifica o la rettifica dell'apparecchio, così come in quelle che coinvolgono i suoi dispositivi di sicurezza e le riparazioni, è necessario seguire le istruzioni di disattivazione e attivazione, secondo le istruzioni di servizio e manutenzione.
- Durante le operazioni di riparazione e manutenzione, l'apparecchio deve rimanere scollegato. Ciò implica anche la disattivazione della pompa impianto. Assicurarsi che non vi sia passaggio di flusso o pressione dell'acqua.
- All'inizio e alla fine delle operazioni di manutenzione, mantenere l'apparecchio pulito, soprattutto le connessioni, impiegando prodotti specifici.
- Dopo la pulizia, è necessaria una revisione di tutti i collegamenti e le condutture, per controllare che non vi siano perdite, giunzioni allentate o componenti deteriorati ed eventualmente poter procedere alla riparazione dei difetti riscontrati.
- Se la manutenzione dell'apparecchio richiede lo smontaggio degli elementi di sicurezza, è necessario verificarne la corretta installazione dopo averli rimontati. Ciò vale in particolar modo per la valvola di degasazione.
- I pezzi usurati e gli altri componenti che siano stati sostituiti devono essere smaltiti in modo corretto, senza impatto sull'ambiente, attraverso lo specifico servizio di raccolta.

7. RISCHI PARTICOLARI

7.1 PERICOLI ELETTRICI

- L'installazione elettrica dovrà essere conforme alle norme per la bassa tensione ITC-BT-18 e anche la direttiva europea 2014/35 / UE.
- Durante le riparazioni, o le operazioni di manutenzione, nessuna parte dell'apparecchio dovrà essere alimentata. L'assenza di tensione elettrica dovrà essere verificata con un dispositivo adeguato, prima di lavorare sull'apparecchio. Evitare di bagnare con acqua i componenti elettrici, il motore, la pompa, i collegamenti ecc. in presenza di tensione elettrica.

7.2 PERICOLI IDRAULICI

- È consentito al solo personale esperto in idraulica eseguire lavori sugli impianti.
- Procedere regolarmente alla revisione delle linee, delle condutture e delle giunzioni e correggere immediatamente eventuali perdite o difetti.
- Prima di cominciare una riparazione, è necessario procedere ad una diminuzione della pressione dei componenti e delle condutture che formano i circuiti.
- Montare in maniera corretta le condutture, verificare la lunghezza dei canali sostituiti e verificare l'assenza di qualsiasi perdita.

7.3 PERICOLI LEGATI ALLA MANIPOLAZIONE DI OLI, GRASSI E ALTRE SOSTANZE CHIMICHE

- Per tutti i prodotti chimici impiegati, è necessario esigere dal produttore la scheda tecnica e seguirne le istruzioni d'uso. Detta scheda dovrà essere allegata alla documentazione aziendale in merito alla sicurezza sul lavoro. E' necessario avere sempre a disposizione la scheda di sicurezza dei prodotti chimici.

8. ELEMENTI DI SICUREZZA E MISURE CORRETTIVE

Il principale elemento di sicurezza del sistema è rappresentato dalla valvola di degasazione, che ha lo scopo primario di garantire una pressione massima all'interno del CLORIMAX mai superiore ai 2.5-3 bar.

Nell'uscita, collocata sulla parte superiore del CLORIMAX, si trova una "T" filettata con due estremi liberi. In corrispondenza di uno di questi estremi, si

trova una valvola che permette l'uscita della soluzione di cloro o di bromo verso la piscina. All'altra estremità si trova la valvola di degasazione.

Lo sfiato di questa valvola avviene attraverso un raccordo collegato alle condutture di ritorno per mezzo di un tubo in plastica bianca. Viene fornito anche un altro raccordo abbinato per poter realizzare il collegamento con le condutture di ritorno.

Gli elementi di sicurezza non possono essere maneggiati o smontati al fine di annullare le funzioni per le quali sono stati progettati

II.- ISTRUZIONI DI FUNZIONAMENTO

1. DESCRIZIONE DELL'APPARECCHIO.

Apparecchio CLORIMAX, dosatori di pastiglie. Costruiti con materiale resistente a cloro e bromo. Installazione sempre in by-pass. Apparecchio facilmente adattabile a qualsiasi installazione di piscina tra 200 e 1000 m^3 . Per volumi superiori, è possibile installare più di un dosatore.

Codice: 16631

Peso netto (kg): 14

Capacità (l): 40

Pressione massima: 2.5-3 bar

Materiale: poliestere e vetroresina.

Codice: 16632

Peso netto (kg): 18

Capacità (l): 60

Pressione massima: 2.5-3 bar

Materiale: poliestere e vetroresina.

L'apparecchio CLORIMAX permette la corretta clorazione dell'acqua della piscina, attraverso pastiglie di tricloro CTX o Astral da 250 g o pastiglie di bromo CTX o Astral da 20 g.

2. FONTI DI ENERGIA

Le fonti di alimentazione necessarie al funzionamento dell'apparecchio sono le seguenti:

2.1 ALIMENTAZIONE IDRAULICA.

Verificare che le condutture in pvc del sistema si trovino in buone condizioni e controllarne la tenuta stagna: un difetto potrebbe provocare una perdita di pressione in tutto il sistema. In presenza di pressione insufficiente, l'apparecchio non è in grado di funzionare correttamente.



In nessun caso è consentito eseguire operazioni di manutenzione o trattamenti diversi dalle mansioni produttive, senza scollegare le fonti di alimentazione energetica (idrauliche).

3. COMANDI

È necessario l'impiego di un flussometro posto all'ingresso. La funzione principale del flussometro è controllare il flusso dell'acqua che circola all'interno del dispositivo, per determinare la dose di disinfettante richiesta.

Valvole che permettono il corretto passaggio del liquido.

4. RISCHI

4.1. RISCHI LEGATI ALL'APPARECCHIO

Pictogram	Tipo di rischio	Task
	Schiacciamento	Puesta in marcha
	Intrappolamento	Pulizia e manutenzione
	Scivolamento	Pulizia e manutenzione
	Impatto da proiezione di pezzi per esplosione	Pulizia e manutenzione

Interruzione della corrente

Rischio di inalazione

Errori di montaggio

Rottura di componenti



Prima di venire aperto per revisione o ricarica, il dosatore deve essere rimasto in funzione per 30 minuti circa.



Non fumare durante le operazioni di apertura o manipolazione del CLORIMAX.





In caso di prolungati periodi di inattività, svuotare sempre il dosatore ed estrarre le cariche dal suo interno.



Utilizzare pastiglie di tricloro CTX o Astral da 250 g o pastiglie di bromo CTX o Astral da 20 g

4.2. RISCHI LEGATI AI PRODOTTI IMPIEGATI:

Pictograma	Riesgo	Producto
	Corrosivo	16550 o 28740
	Peligroso para el medio ambiente	16550 o 28740 y 34433, 34434, 34435, 34437

	Comburente	16550 o 28740
	Nocivo	CCCCC y 34433, 34434, 34435, 34437

4.3. RISCHI NELL'AREA

Trattandosi di un ambiente con molta umidità, è necessario tenere in considerazione i rischi dei dispositivi (pompe) che saranno abbinati al dosatore. In conformità con il decreto per la bassa tensione ITC-BT-18.

Secondo il Regio Decreto 486/1997 in merito agli ambienti di lavoro, la zona in cui verrà utilizzato l'apparecchio necessita di una buona illuminazione per impedire il rischio di cadute a causa della scarsa visibilità.



Rischi elettrici diretti e indiretti



Rischio di caduta per scarsa illuminazione

5. MISURE CORRETTIVE RELATIVE AI RISCHI

In base ai rischi menzionati nel precedente paragrafo, l'apparecchio dispone di numerose misure di sicurezza.

Al fine di evitare possibili intrappolamenti e schiacciamenti, sia il trasporto sia il montaggio del dispositivo dovranno avvenire a vuoto.

Per evitare possibili cadute allo stesso livello, l'abitacolo entro il quale avrà luogo l'installazione dovrà disporre di un piano con un livello di aderenza conforme alle norme CTE o complementari.







Il rischio d'impatto per lancio di pezzi provocato da esplosione viene ridotto al minimo grazie all'utilizzo della valvola di degasazione.

Per evitare i possibili rischi elettrici derivanti dalle operazioni in ambiente umido, la pompa e l'apparecchio elettrico devono disporre di un magnetotermico e della corrispondente messa a terra.

I rischi chimici resi possibili dalla movimentazione delle diverse sostanze saranno ridotti al minimo grazie all'impiego dei necessari dispositivi di protezione individuale.

Per scongiurare i rischi di inalazione, il montaggio, la carica e la manutenzione del dispositivo saranno eseguiti in ambiente ben ventilato.

6. ATTREZZATURE DI PROTEZIONE INDIVIDUALE PER L'OPERATORE:

EPI	Descrizione	Compito
	Guanti di protezione chimica non usa e getta	Messa in servizio, utilizzo, pulizia e manutenzione.
	Calzature di sicurezza contro prodotti chimici e con proprietà aderenti	Messa in servizio, utilizzo, pulizia e manutenzione.
	Occhiali protettivi contro spruzzi di particelle e spruzzi di sostanze chimiche.	Messa in servizio, utilizzo, pulizia e manutenzione.
	Indumenti protettivi contro le sostanze chimiche	Messa in servizio, uso, pulizia e manutenzione solo quando si utilizza il prodotto 16550 o 28740.
	Maschera filtrante automatica del particolato	Messa in servizio, utilizzo, pulizia e manutenzione.
	Maschera filtrante per protezione contro gas e particelle.	Messa in funzione solo quando si utilizza il prodotto 34433, 34434, 34435 o 34437.

7. OPERAZIONI DI PULIZIA.

Non è possibile eseguire operazioni di pulizia se l'apparecchio è in funzione. Nel passare il pulisci fondale sarà necessario isolare il by-pass, per evitare che parte dello sporco venga trasferito nella piscina. Per procedere alla sostituzione della carica e alla relativa messa in funzione, è necessario verificare la tenuta stagna del dispositivo prima di collocare la carica al suo interno, come illustrato nel manuale di installazione e manutenzione.

8. CARICA DELL'APPARECCHIO

Il procedimento di carica dell'apparecchio dovrà essere eseguito successivamente alla sua messa in funzione e alla verifica della tenuta stagna del sistema idraulico. Il procedimento è il seguente:

31. Chiudere le valvole di ingresso e uscita dell'acqua
32. Aprire la valvola di spurgo, lasciando uscire parte dell'acqua contenuta nel CLORIMAX.
33. Chiudere la valvola di spurgo
34. Aprire la valvola del dosatore CLORIMAX
35. Quando il CLORIMAX sarà pieno d'acqua al 75%, posizionare con cautela il prodotto: **(Modello 16631, carica max da 20 kg, e Modello 16632, carica max da 30 kg)** secondo la Tabella
36. Riempire il CLORIMAX di acqua, aprendo leggermente la valvola di ingresso
37. Posizionare il coperchio del dosatore e chiudere.
38. Aprire completamente la valvola di uscita e aprire la valvola d'ingresso al flusso desiderato

***Se il CLORIMAX è chiuso, dovrà SEMPRE esserci una valvola aperta per consentire la fuoriuscita dei gas (la valvola di degasazione è considerata valida solo per le emergenze).**

9. STEP BY STEP OPERATION

FUNZIONAMENTO E FORNITURA:

Controllo della tenuta:

Una volta fatto CLORIMAX assemblaggio, senza aver posto all'interno del carico CTX-370 triclor o CTX-130 COMPRESSE HALOBROM procederà per controllare eventuali perdite. Per fare questo:

1. Chiudere il coperchio del CLORIMAX.
2. Chiudere la valvola di sfiato (P)
3. Mettere in funzione l'apparecchio di filtraggio.

4. Aprire la valvola di uscita (2) e la valvola di ingresso (1), lasciando che l'acqua circola attraverso il CLORIMAX.

5. Dopo pochi minuti, controllare che non ci sia perdita di acqua nell'installazione.

OPERAZIONE CLORIMAX

Con il carico all'interno dell'erogatore e chiuso:

1. Tenere la valvola di scarico (P) chiusa.
2. Aprire completamente la valvola di uscita dell'acqua (2).
3. Aprire la valvola di ingresso dell'acqua (1), regolandola per ottenere un residuo di cloro compreso tra 0,5 e 2 ppm nell'acqua della piscina. Se viene disinfettata con bromo, il suo residuo deve essere compreso tra 3 e 6 ppm.

“SELEZIONE DELLA CARICA DEL CLORIMAX”

CAPACITÀ DELLA PISCINA IN m³	MODELLO DOSATORE	CARICA PASTIGLIE DI TRICLORO 34433, 34434, 34435, 34437 (kg)	Concentrazione (kg/l)
0-100	16631	2-4	0-0,00004
100-200	16631	4-8	0,00004
200-300	16631	8-12	0,00004
300-400	16632	12-16	0,00004
400-500	16632	16-20	0,00004

CAPACITÀ DELLA PISCINA IN m³	MODELLO DOSATORE	CARICA PASTIGLIE DI BROMO 16550 o 28740 (kg)	Concentrazione (kg/l)
0-50	16631	2-5	0-0,0001
50-100	16631	5-10	0,0001
100-200	16631	10-20	0,0001
200-300	16632	20-30	0,0001
300-450	16632	30-45	0,0001

Una volta selezionata la carica di tricloro o bromo a seconda del volume della piscina, è importante mantenere costante il livello di carica all'interno del CLORIMAX, per fare in modo che questo continui a funzionare. Per questo, si consiglia di aprire il CLORIMAX ogni 3-4 giorni e sostituire la carica.

IMPORTANTE: Al momento di sostituire la carica del CLORIMAX, sarà necessaria la messa in funzione dell'apparecchio per almeno 30 minuti prima di aprirlo.

I dosaggi dei prodotti devono essere riportati nelle tabelle 1 e 2.

In caso di utilizzo di prodotti corrispondenti ad altri riferimenti, consultare il nostro fornitore.

10. FUNZIONAMENTO DEL CLORIMAX.

Con la carica all'interno del dosatore e quest'ultimo chiuso:

13. Tenere chiusa la valvola di spurgo.

14. Aprire completamente la valvola di uscita dell'acqua

15. Aprire la valvola di ingresso dell'acqua, regolandola fino a ottenere nella piscina un residuo di cloro libero tra 0.5 e 2 ppm. Se il disinfettante utilizzato è il bromo, il residuo dovrà oscillare tra 3 e 6 ppm.

10.1 NOTE

- Nelle piscine con flocculazione continua (che avviene mediante la pompa dosatrice) l'iniezione del flocculante avverrà successivamente alla presa d'acqua che alimenta il CLORIMAX, per evitare che parte del flocculante attraversi lo stesso CLORIMAX.
- Nelle piscine a skimmer non è consentito utilizzare pastiglie di flocculante durante il funzionamento del CLORIMAX.

IMPORTANTE: non usare mai simultaneamente prodotti a base di tricloro (34433, 34434, 34435, 34437) e bromo (16550, 28740). Nel caso si desideri passare da uno all'altro, svuotare prima il dosatore, estrarre e lasciare asciugare i residui delle pastiglie esistenti, prima di conservarle, non utilizzare mai pastiglie multi azione o a rapida dissoluzione.

I dosaggi dei prodotti devono essere riportati nelle tabelle 1 e 2.

In caso di utilizzo di prodotti corrispondenti ad altri riferimenti, consultare il nostro fornitore.

11. RESPONSABILITÀ DELL'OPERATORE DELL'APPARECCHIO.

L'operatore deve essere formato per l'esecuzione di una serie di mansioni. I requisiti sono i seguenti:

- Conoscenza di tutti gli elementi di funzionamento generale dell'apparecchio per garantire una corretta messa in opera.
- Conoscenza della scheda dei dati di sicurezza per essere in grado di agire in ogni emergenza.
- Essere in grado di regolare l'apparecchio per adattarlo a tutti i diversi prodotti utilizzabili.
- Conoscenza di tutti i difetti la cui presenza vada verificata secondo quanto esposto nel dossier della qualità.
- Notificare al responsabile incaricato qualsiasi malfunzionamento, anche minimo, dell'apparecchio, o eventuali guasti.
- Registrare correttamente le quantità dosate.
- Mantenere l'area di lavoro e gli alloggiamenti puliti e in ordine.

12. FUNZIONI DI SICUREZZA

Il dispositivo di sicurezza del dosatore è costituito da una valvola di degasazione. L'obiettivo principale della valvola di degasazione è impedire che la pressione interna del dosatore superi i 2.5-3 bar.

13. USO IMPROPRIO DELL'APPARECCHIO

NON ESEGUIRE OPERAZIONI DI MANUTENZIONE CON L'APPARECCHIO IN FUNZIONE.

Durante il processo di manutenzione del dispositivo, o durante la sostituzione di un componente, assicurarsi di non provocare perdite all'interno dell'apparecchio stesso.

NON CARICARE CON DOSI ECCESSIVE DI PRODOTTO CHIMICO.

Controllare la quantità di prodotto caricata nel dispositivo, poiché se eccessiva, determinerebbe un aumento del rischio di tossicità, e, se insufficiente, il malfunzionamento dell'apparecchio.

NON CHIUDERE LE VALVOLE DI USCITA CON L'APPARECCHIO IN FUNZIONE Durante il funzionamento, e con la valvola di ingresso aperta, assicurarsi che lo sia anche la valvola di uscita.

NON UTILIZZARE TIPO DI OLIO O DEGREASER.

Non utilizzare alcun tipo di olio o sgrassatore durante l'uso e la manutenzione dell'apparecchiatura in quanto ciò causerebbe l'usura delle giunture utilizzate nel sistema idraulico, causando eventuali perdite che potrebbero causare una perdita di pressione nel sistema o una rottura possibile della squadra.

III.- MANUTENZIONE

1.MANUTENZIONE GENERALE

Le istruzioni di manutenzione sono stilate allo scopo di costituire norma generale per avviare la manutenzione dell'apparecchio. Si consiglia di seguirle e completarle con una pianificazione.

È importante stabilire alcuni criteri, per adattare la manutenzione dell'apparecchio alle reali condizioni di lavoro, che varieranno a seconda delle caratteristiche effettive di ogni mansione e in particolare dei diversi fattori, quali possono essere il ritmo di funzionamento, la polvere nell'ambiente, il tasso di umidità, l'atmosfera corrosiva e le caratteristiche del materiale.

È altresì importante tenere in considerazione i tempi dedicati alla manutenzione, pianificandola negli orari più consoni e che influiscano nella minore misura possibile sul lavoro; se, al contrario, la manutenzione dell'apparecchio non viene eseguita in modo corretto, è probabile che le avarie si presentino nei momenti meno opportuni.

Misure generali di manutenzione degli apparecchi.

- Tutti i componenti dell'apparecchio devono essere mantenuti puliti.
- Le parti metalliche devono essere periodicamente lubrificate.
- Si raccomanda di sottoporre a regolare revisione lo stato dei fissaggi e degli elementi di sicurezza.
- Verificare tutte le parti della valvola di degasazione con cadenza trimestrale e sostituirla prima di qualsiasi anomalia.
- Controllare mensilmente la presenza di possibili perdite nel sistema.

IMPORTANTE: Al momento di eseguire la manutenzione del CLORIMAX, sarà necessaria la messa in funzione dell'apparecchio per almeno 30 minuti prima di aprirlo.

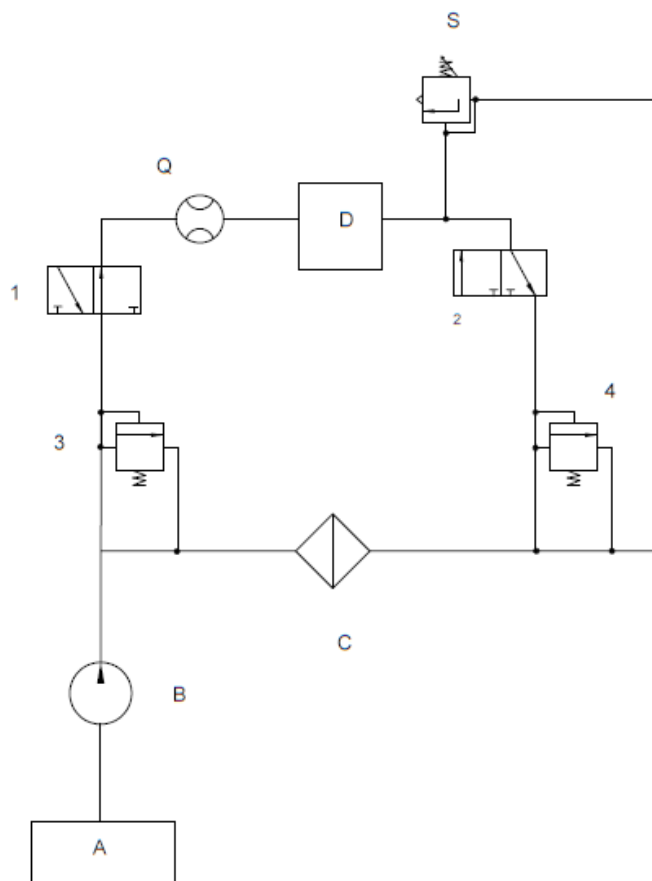
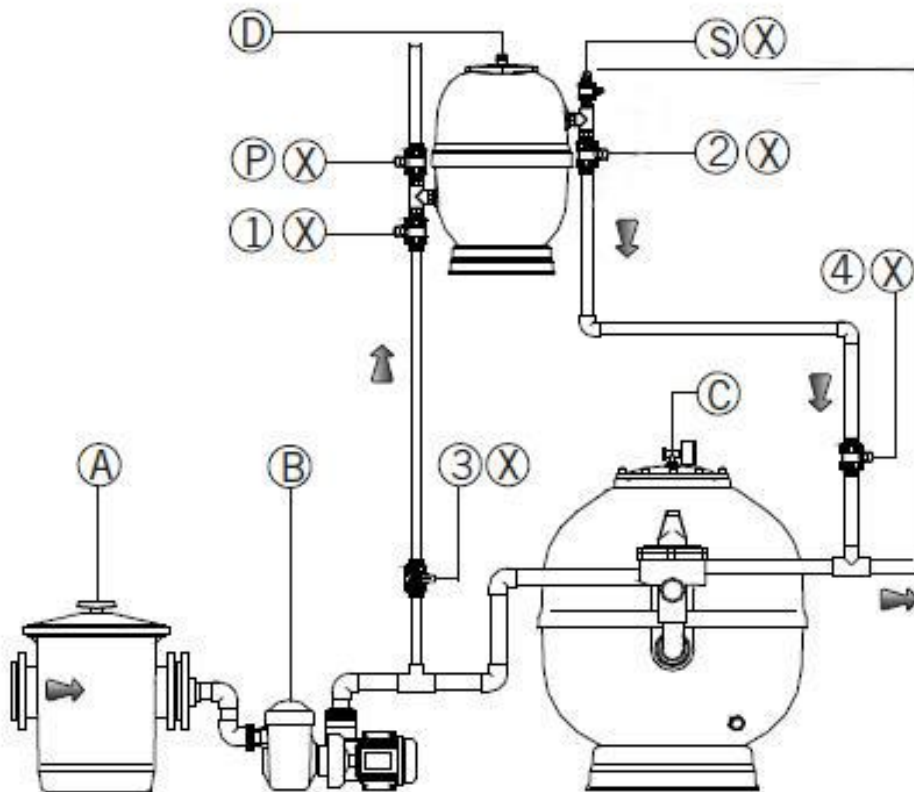
2.MANUTENZIONE APPARECCHIO IDRAULICO

- Controllare che non vi siano perdite in tutte le condutture, quando l'apparecchio è in funzione.
- Con cadenza trimestrale, controllare lo stato di fissaggi, giunzioni e valvole.

- Revisionare tutte le condutture e sostituire quelle danneggiate o deteriorate.
- Se il CLORIMAX è dotato di flussometro, si procederà regolarmente alla pulizia del filtro posto all'ingresso dello stesso flussometro.

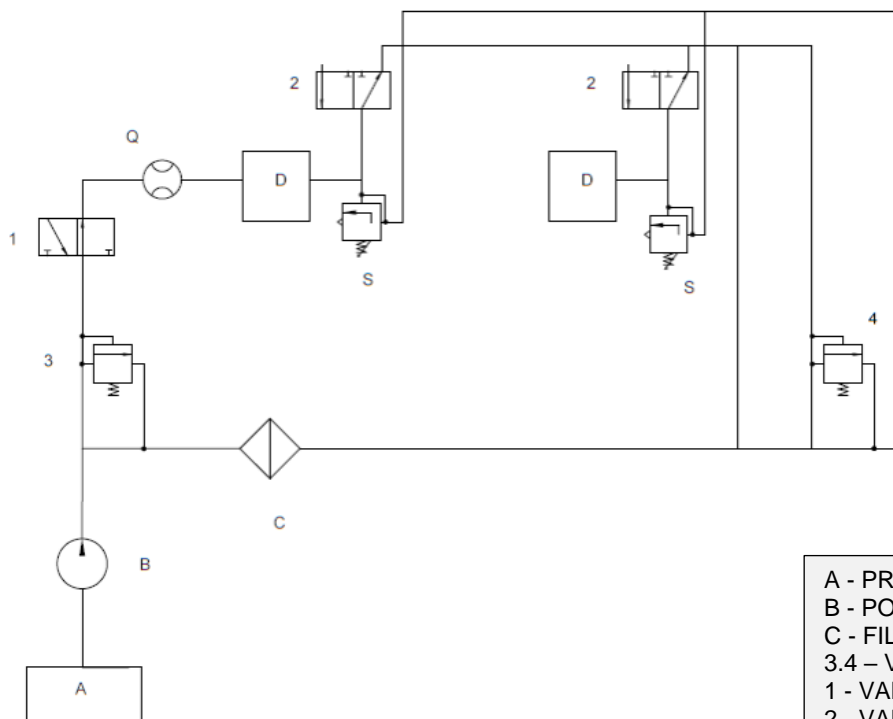
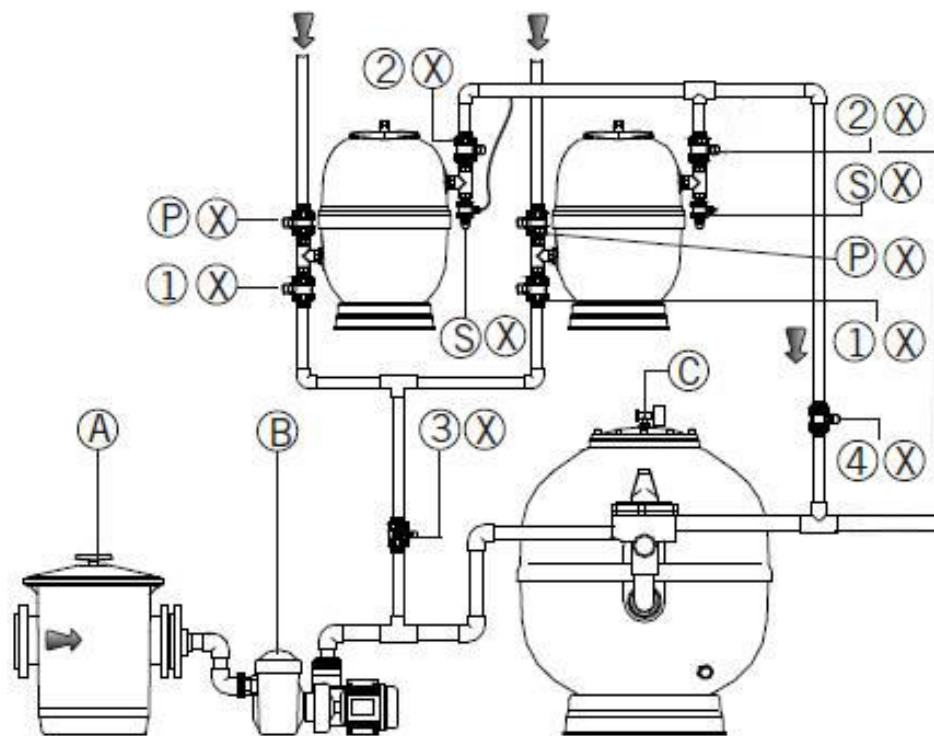
IV-SCHEMA IDRAULICO

1. Installazione con un dosatore:



A	- PREFILTRO
B	- POMPA
C	- FILTRO
3.4	- VALVOLA BY PASS
1	- VALVOLA DI INGRESSO
2	- VALVOLA DI USCITA
Q	- FLUSSOMETRO
D	- DOSATORE
S	- VALVOLA DI DEGASAZIONE

2. Installazione con più di un dosatore:



- A - PREFILTRO
- B - POMPA
- C - FILTRO
- 3.4 - VALVOLA BY PASS
- 1 - VALVOLA DI INGRESSO
- 2 - VALVOLA DI USCITA
- Q - FLUSSOMETRO
- D - DOSATORE
- S - VALVOLA DI DEGASAZIONE

ÍNDICE

I.- INSTRUÇÕES DE SEGURANÇA

- 1. ÂMBITO NORMATIVO**
- 2. PRINCÍPIO DE UTILIZAÇÃO CONFORME**
- 3. MEDIDAS DE ORGANIZAÇÃO DA SEGURANÇA**
- 4. PESSOAL E A SUA QUALIFICAÇÃO**
- 5. SEGURANÇA E FUNCIONAMENTO**
 - 5.1. ANTES DA COLOCAÇÃO EM FUNCIONAMENTO**
 - 5.2. COLOCAÇÃO EM FUNCIONAMENTO**
- 6. TRABALHOS ESPECIAIS**
- 7. PERIGOS ESPECIAIS**
 - 7.1. PERIGOS ELÉTRICOS**
 - 7.2. PERIGOS HIDRÁULICOS**
 - 7.3. PERIGOS NA MANIPULAÇÃO DE ÓLEOS, LUBRIFICANTES E OUTRAS SUBSTÂNCIAS QUÍMICAS**
- 8. ELEMENTOS DE SEGURANÇA E MEDIDAS CORRETORAS**

II.- INSTRUÇÕES DE FUNCIONAMENTO

- 1. DESCRIÇÃO DO EQUIPAMENTO**
- 2. FONTES DE ALIMENTAÇÃO**
 - 2.1 ALIMENTAÇÃO HIDRÁULICA**
- 3. PAINÉIS DE COMANDO**
- 4. RISCOS**
 - 4.1. RISCOS DO EQUIPAMENTO**
 - 4.2. RISCOS DOS PRODUTOS UTILIZADOS**
 - 4.3. RISCOS NA ZONA**

5. MEDIDAS CORRETORAS DERIVADAS DOS RISCOS
6. EQUIPAMENTOS DE PROTEÇÃO INDIVIDUAL PARA O OPERÁRIO
7. PROCESSO DE LIMPEZA
8. CARREGAMENTO DO EQUIPAMENTO
9. OPERAÇÃO PASSO A PASSO
10. FUNCIONAMENTO DO CLORIMAX
- 10.1 NOTAS
11. RESPONSABILIDADE DO OPERÁRIO DO EQUIPAMENTO
12. FUNÇÕES DE SEGURANÇA
13. MÁ UTILIZAÇÃO DO EQUIPAMENTO

III.- MANUTENÇÃO

1. MANUTENÇÃO GERAL
2. MANUTENÇÃO EQUIPAMENTO HIDRÁULICO

IV-ESQUEMA HIDRÁULICO

I.- INSTRUÇÕES DE SEGURANÇA

1.ÂMBITO NORMATIVO

O equipamento é regido pela Diretiva do Parlamento Europeu e do Conselho, 97/23/CE, relativa aos equipamentos de pressão.

- O equipamento utiliza um fluido líquido, grupo 1.
- A pressão máxima admissível do equipamento é de 3 kg/cm².
- Capacidade máxima 60 litros.
- $P \times V = 180$

O equipamento não tem categoria e não tem de ter marcação CE.

2.PRINCÍPIO DE UTILIZAÇÃO CONFORME

O *design* do equipamento e a sua instalação foram realizados seguindo os requisitos mínimos de segurança exigidos na Diretiva 89/655/CEE, de 30 de novembro, modificada pela Diretiva 95/63/CE, de 5 de dezembro, que estabelece as disposições mínimas de segurança e de saúde para a utilização pelos trabalhadores no trabalho dos equipamentos de trabalho. De facto, podem produzir-se perigos devido à má utilização e, portanto, ocorrerem estragos no equipamento e noutros bens, bem como, no pior dos casos, danos pessoais.

A utilização do equipamento deve apenas ser permitida em perfeitas condições técnicas, pelo que o operário deverá conhecer as condições previstas na utilização, as instruções de segurança e possíveis perigos. É muito importante eliminar possíveis perturbações ambientais que prejudicam a segurança.

É totalmente proibida a utilização do equipamento em tarefas não definidas como utilização normal. Deve utilizar-se o equipamento para a utilização normal para a qual foi concebido.

A observância e conhecimento das instruções de serviço, manutenção e inspeção fazem parte da utilização normal.

3.MEDIDAS DE ORGANIZAÇÃO DA SEGURANÇA

- Ter cuidado e guardar o manual de instruções num local acessível a partir da posição de trabalho do equipamento.
- Como complemento destas instruções de segurança, ter conhecimento das normas básicas de proteção contra acidentes e as instruções de proteção do meio ambiente, fixadas pela lei.
- O pessoal que trabalha com o equipamento deve ler a ficha de segurança dos diferentes produtos, especialmente o parágrafo sobre primeiros socorros. Estas instruções são válidas também para o pessoal que trabalha ocasionalmente com o equipamento, como o pessoal de manutenção, reparação, etc.
- O pessoal deve utilizar medidas de proteção individual durante a manipulação dos diferentes produtos indicado na embalagem do produto.
- Desligar a bomba que alimenta o equipamento no caso de anomalias que afetem a segurança e/ou serviço, bem como notificar esta ação ao pessoal competente.
- Não realizar modificações, construções adicionais, nem acrescentar acessórios ao equipamento, que possam afetar as funções de segurança do equipamento.

4.PESSOAL E A SUA TREINAMENTO

- O pessoal que leu e compreendeu o manual do equipamento corretamente pode operar ou trabalhar com o equipamento.

5.SEGURANÇA E FUNCIONAMENTO

5.1ANTES DA COLOCAÇÃO EM FUNCIONAMENTO

- Realizar a montagem do equipamento com tubos de PVC e num local ventilado.

- A dosagem do produto deve seguir as Tabelas 1 e 2. As concentrações de produtos mostradas nas tabelas nunca serão excedidas.
- Tomar as medidas oportunas para que o equipamento trabalhe apenas em condições seguras. Colocar o equipamento em funcionamento quando a válvula de desgaseificação funcionar.
- Verificar com regularidade se existem defeitos visíveis ou anomalias que possam afetar a segurança do equipamento ou o local de trabalho: caso ocorram, notificar imediatamente as pessoas competentes. Desligar de imediato a bomba que alimenta o equipamento se afetar os requisitos essenciais de segurança.
- Antes de colocar o equipamento em funcionamento, é necessário assegurar que não existe nenhuma pessoa que esteja exposta a um possível escape do mesmo.

5.2 COLOCAÇÃO EM FUNCIONAMENTO

- A válvula de purga tem de estar sempre ligada ao esgoto.
- Depois de realizada a montagem do equipamento e sem se ter colocado no seu interior a carga de compactos de tricloro 34433, 34434, 34435, 34437 ou pastilhas de bromo 16550 ou 28749, proceder à verificação da estanqueidade:
 26. Fechar a tampa do CLORIMAX.
 27. Fechar a válvula de purga.
 28. Colocar o equipamento de filtração em funcionamento.
 29. Abrir a válvula de saída e a de entrada, deixando circular a água através do CLORIMAX.
 30. Passados alguns minutos, verificar que não existe nenhuma perda de água na instalação.
- Desligar a bomba que alimenta o equipamento em caso de anomalias no funcionamento e desligar as fontes de energia antes da manipulação da mesma.

- Não desabilite a válvula de desgaseificação.
- É recomendável a troca anual da válvula de desgaseificação.

6. TRABALHOS ESPECIAIS

- Seguir a programação estabelecida de trabalhos de manutenção; estas tarefas só podem ser realizadas por pessoal especializado, que tem competência para realizar estas tarefas.
- Sinalizar e bloquear a zona de trabalho.
- É necessário seguir as instruções de desconexão e conexão de acordo com as instruções de serviço e manutenção, nos trabalhos que afetam o serviço, na modificação ou no ajuste do equipamento e dos seus dispositivos de segurança, assim como nas reparações.
- O equipamento deve estar desligado nas operações de reparação e manutenção. Isto implica que a bomba de pressão deve estar desligada e assegurar que não passa caudal nem pressão de água.
- Manter o equipamento limpo, especialmente as ligações e fixações ao começar e finalizar a manutenção do equipamento, com produtos adequados.
- Devem rever-se todas as ligações e condições assim que se tiver realizado a limpeza, pois se existir uma fuga, juntas frouxas e pontos que possam estar deteriorados, e reparar os defeitos observados.
- Se a manutenção do equipamento requerer desmontar os elementos de segurança, irá ser necessário verificar a instalação correta assim que tiverem sido montados de novo. Especialmente a válvula de desgaseificação.

- As peças deterioradas e outros componentes que forem substituídos por novos devem ser tirados de forma a que isso não afete o meio ambiente, utilizando o serviço de recolha.

7. PERIGOS ESPECIAIS

7.1 PERIGOS ELÉTRICOS

- A instalação elétrica deverá cumprir o regulamento de baixa tensão ITC-BT-18 e também a Diretiva Européia 2014/35 / UE.
 - Durante as reparações ou tarefas de manutenção, as zonas do equipamento não devem ter tensão elétrica. Antes de trabalhar nestas tarefas com o equipamento, deve verificar-se com o aparelho adequado a ausência de tensão. Evitar que os componentes elétricos, como o motor, bomba, ligações, etc., não sejam borrifados com água na presença de tensão.

7.2 PERIGOS HIDRÁULICOS.

- Apenas o pessoal com experiência e conhecimentos em hidráulica pode realizar trabalhos em instalações.
- Rever as linhas, condutas e fixações com regularidade; caso se detetem fugas ou defeitos, deverão ser reparados imediatamente.
- Deve-se deixar libertar a pressão dos componentes e das conduções que compõem os circuitos, antes de começar uma reparação.
- Montar corretamente as conduções, verificar o comprimento e a qualidade das condutas substituídas, e verificar se o circuito não tem nenhuma perda.

7.3 PERIGOS NA MANIPULAÇÃO DE ÓLEOS, LUBRIFICANTES E OUTRAS SUBSTÂNCIAS QUÍMICAS.

- Caso se utilizem produtos químicos, deve exigir-se ao fabricante a ficha técnica, seguir as prescrições de utilização e anexá-la à documentação referente à segurança laboral da empresa.

8. ELEMENTOS DE SEGURANÇA E MEDIDAS CORRETORAS

O principal elemento de segurança do sistema é a válvula de desgaseificação, que tem como principal objetivo garantir que a pressão máxima no interior do CLORIMAZ nunca será superior a 2,5-3 bares.

Na saída, colocada na parte superior do CLORIMAX, enroscar uma ligação em «T» ficando dois dos seus extremos livres. Num destes extremos, enrosca-se uma válvula por onde sai a solução clorídrica ou brómicica para a piscina. No outro extremo, enrosca-se a válvula de desgaseificação.

Esta válvula tem uma saída através de um conector a partir de onde, e através de um tubo de plástico de cor branca, se liga a tubagem de retorno. Também se fornece outro conjunto conector para se poder realizar a ligação com a tubagem de retorno.

Os elementos de segurança não se podem manipular nem desmontar, pois isso anula a função de segurança para a qual foram concebidos.

II.- INSTRUÇÕES DE FUNCIONAMENTO

1. DESCRIÇÃO DO EQUIPAMENTO

Equipamento CLORIMAX, doseadores compactos. Construídos com material resistente ao cloro e ao bromo. A sua instalação é sempre em bypass. É um equipamento facilmente adaptável a qualquer instalação de piscina entre 200 e

1000 m³. Em volumes superiores, poderá instalar-se mais do que um doseador.

Código: 16631

Peso líquido (kg): 14

Capacidade (l): 40

Pressão máxima: 2,5-3 bares

Material: poliéster e fibra de vidro.

Código: 16632

Peso líquido (kg): 18

Capacidade (l): 60

Pressão máxima: 2,5-3 bares

Material: poliéster e fibra de vidro.

O equipamento CLORIMAX permite a correta desinfecção da água da piscina, utilizando os produtos compactos de tricloro 34433, 34434, 34435, 34437 ou pastilhas de bromo 16550 ou 28740.

2. FONTES DE ALIMENTAÇÃO

As fontes de alimentação de energia de que o equipamento necessita para o seu funcionamento são as seguintes:

2.1 ALIMENTAÇÃO HIDRÁULICA.

Verificar se as tubagens de PVC do sistema se encontram em corretas condições e verificar a sua estanqueidade, já que poderia provocar uma falta de pressão no sistema. No caso de a pressão ser insuficiente, o equipamento não irá funcionar corretamente.



Em nenhum caso deve o equipamento fazer operações de manutenção ou manipulações que não sejam próprias das tarefas produtivas sem desligar as fontes de alimentação energética (hidráulicas).








3. COMANDOS

Deve utilizar-se um medidor de caudal situado na entrada. A principal função do medidor de caudal é controlar o caudal de água que circula através do dispositivo para precisar a dosagem do desinfetante.

Válvulas que permitem a passagem correta do fluido.

4. RISCOS

4.1. RISCOS DO EQUIPAMENTO

Pictograma	Tipo de risco	Tarefa
	Esmagamento	Comissionamento
	Entalamento	Limpeza e manutenção
	Deslizar	Limpeza e manutenção
	Impacto de projeção de peças por explosão	Limpeza e manutenção
	Corte de abastecimento	
	Riscos de inalação	
	Erros de montagem	
	Danos de peças	
	Antes de abrir o doseador para o reaver ou repor a carga, este deve ter funcionado durante cerca de 30 minutos.	
	Não fumar enquanto abrir ou manipular o CLORIMAX.	
	Em caso de funcionamento não prolongado, esvaziar sempre o doseador e tirar a carga do seu interior.	



Utilize os produtos compactos de tricloro 34433, 34434, 34435, 34437 ou pastilhas de bromo 16550 ou 28740.

4.2. RISCOS DOS PRODUTOS UTILIZADOS:



Corrosivo



Perigoso para o meio ambiente



Volátil

Pictogram	Risk	Product
	Corrosivo	16550 o 28740
	Perigoso para o meio ambiente	16550 o 28740 y 34433, 34434, 34435, 34437
	Volátil	16550 o 28740
	prejudicial	34433, 34434, 34435, 34437

4.3. RISCOS NA ZONA

Já que se trata de um ambiente com muita humidade, devemos ter em conta os riscos dos dispositivos (bombas) acoplados ao doseador. Com base no decreto de baixa tensão ITC-BT-18.

De acordo com o Real Decreto 486/1997 sobre locais de trabalho, a zona onde se irá utilizar o equipamento necessita de uma boa iluminação para evitar o risco de queda por falta de iluminação.



Riscos elétricos diretos e indiretos



Risco de queda por falta de iluminação

5. MEDIDAS CORRETORAS DERIVADAS DOS RISCOS

Com base nos riscos mencionados no parágrafo anterior, o equipamento dispõe de diferentes medidas de segurança.

Para evitar possíveis entalamentos e esmagamentos, o transporte e montagem do dispositivo terá de ser em vazio.

Para evitar possíveis quedas ao mesmo nível, o habitáculo onde se colocar a instalação deverá dispor de um piso com um nível de aderência de acordo com a CTE ou normas complementares.




O risco de impacto por projeção de peças provocada por uma explosão é minimizado graças à utilização da válvula de desgaseificação.

Para evitar os possíveis riscos elétricos derivados do trabalho num meio húmido, a bomba e o equipamento elétrico devem dispor de um disjuntor e da correspondente ligação à terra.

Os riscos químicos que existem com a manipulação das diferentes substâncias serão minimizados através da utilização dos diferentes equipamentos de proteção individual.

Para evitar os riscos de inalação, a montagem, carga e manutenção do dispositivo tem de ser feita num local ventilado.

5. EQUIPAMENTOS DE PROTEÇÃO INDIVIDUAL PARA O OPERÁRIO:

EPI	Descrição	Trabalho
	Luvas de proteção química não descartável	Comissionamento, uso, limpeza e manutenção.
	Calçado de segurança contra produtos químicos e com propriedades aderentes	Comissionamento, uso, limpeza e manutenção.
	Óculos de proteção contra espirra de partículas e salpicos de substâncias químicas.	Comissionamento, uso, limpeza e manutenção.
	Vestuário de proteção contra produtos químicos	Comissionamento, uso, limpeza e manutenção somente quando se utiliza o produto 16550 ou 28740.
	Máscara automática de filtro de partículas	Comissionamento, uso, limpeza e manutenção.
	Máscara de filtro para proteção contra gases e partículas.	Comissionamento apenas quando se utilizam os produtos 34433, 34434, 34435 ou 34437.

7. PROCESSO DE LIMPEZA.

Não se pode limpar o equipamento se estiver em funcionamento. Quando se passar o limpa-fundo, o bypass tem de ser isolado, evitando-se assim que parte da sujidade entre na piscina. Para fazer a troca da carga e a correspondente colocação em funcionamento, deverá verificar-se a estanqueidade do dispositivo sem colocar a carga no seu interior, como indicado no manual de instalação e manutenção.

8. CARREGAMENTO DO EQUIPAMENTO

Realizar o procedimento de carregamento do equipamento depois da sua colocação em funcionamento e de se ter verificado a estanqueidade do sistema hidráulico. O procedimento é o seguinte:

39. Fechar as válvulas de entrada e saída de água
40. Abrir a válvula de purga, deixando sair parte da água do interior do CLORIMAX.
41. Fechar a válvula de purga.
42. Abrir a válvula do doseador CLORIMAX.
43. Com 75% do CLORIMAX cheio de água, colocar com cuidado o produto: **(Modelo 16631 ou 15210, carga máxima de 20 kg, e Modelo 16632 ou 15211, carga máxima de 30 kg)**, de acordo com a Tabela.
44. Encher de água o CLORIMAX abrindo ligeiramente a válvula de entrada de água.
45. Colocar e fechar a tampa do doseador.

*** Se o CLORIMAX estiver fechado, deverá SEMPRE haver uma válvula aberta para permitir o escape de gases (a válvula de degaseificação considera-se apenas um escape de emergência).**

9. OPERAÇÃO PASSO A PASSO

OPERAÇÃO E COMISSÃO:

Verificando o aperto:

Uma vez realizada a montagem do CLORIMAX, e sem ter colocado a carga CTX-370 COMPACTOS DE TRICLORO ou CTX-130 TABLETAS DE HALOBROM, o selo será verificado. Para fazer isso:

1. Feche a tampa do CLORIMAX.
2. Feche a válvula de purga (P)
3. Coloque o equipamento de filtração em operação.
4. Abra a válvula de saída (2) e a válvula de entrada (1), deixando a água circular pelo CLORIMAX.
5. Após alguns minutos, verifique se não há perda de água na instalação.

OPERAÇÃO CLORIMAX

Com a carga dentro do dispensador e está fechado:

1. Mantenha a válvula de drenagem (P) fechada.
2. Abra a válvula de saída de água (2) completamente.
3. Abra a válvula de entrada de água (1), ajustando-a para obter um cloro residual na água da piscina entre 0,5 e 2 ppm. Se for desinfectado com bromo, o seu resíduo deve estar entre 3 e 6 ppm.

«SELEÇÃO DA CARGA DO CLORIMAX»

CAPACIDADE DA PISCINA EM m^3	MODELO DOSEADOR	CARGA COMPACTO DE TRICLORO 34433, 34434, 34435, 34437 (kg*s)	Concentração (kg*s/l)
0-100	16631 ou 15210	2-4	0-0,00004
100-200	16631 ou 15210	4-8	0,00004
200-300	16631 ou 15210	8-12	0,00004
300-400	16632 ou 15211	12-16	0,00004
400-500	16632 ou 15211	16-20	0,00004

CAPACIDADE DA PISCINA EM m^3	MODELO DOSEADOR	CARGA COMPACTO DE BROMO 16550 o 28740 (kg*s)	Concentração (kg*s/l)
0-50	16631 ou 15210	2-5	0-0,0001
50-100	16631 ou 15210	5-10	0,0001

100-200	16631 ou 15210	10-20	0,0001
200-300	16632 ou 15211	20-30	0,0001
300-450	16632 ou 15211	30-45	0,0001

Uma vez selecionada a carga de tricloro (34433, 34434, 34435, 34437) o bromo (16550, 28740) ou bromo em função do volume da piscina, é importante manter o nível de carga constante dentro do CLORIMAX, à medida que este vá funcionando. Para isso, aconselhamos abrir o CLORIMAX a cada 3-4 dias e repor a carga.

IMPORTANTE: Quando for necessário repor a carga do CLORIMAX, este deverá ser posto em funcionamento, no mínimo, 30 minutos antes de ser aberto.

Las dosificaciones de los productos deberán ser las mostradas en las tablas 1 y 2.

En caso de utilizar productos correspondientes a otras referencias, deberá consultar con nuestro proveedor.

10. FUNCIONAMENTO DO CLORIMAX.

Com a carga no interior do doseador e estando este fechado:

16. Manter a válvula de purga fechada.
17. Abrir totalmente a válvula de saída de água.
18. Abrir a válvula de entrada de água, regulando-a para obter na água da piscina um residual de cloro livre entre 0,5 e 2 ppm. Se se desinfetar com bromo, o seu residual deve oscilar entre 3 e 6 ppm.

10.1. NOTAS

- Nas piscinas em que a floculação seja realizada em contínuo (através de bomba doseadora), a injeção do floculante irá ser feita passada a tomada de água que alimenta o CLORIMAX para evitar que parte do floculante passe através do CLORIMAX.
- Não devem ser utilizadas pastilhas de floculante nos skimmers enquanto o CLORIMAX estiver em funcionamento.

IMPORTANTE: nunca utilizar os produtos tricloro (34433, 34434, 34435, 34437) o bromo (16550, 28740) simultaneamente. Caso deseje trocar de um para o outro, esvaziar previamente o doseador, tirar e colocar a secar os restos das pastilhas existentes antes de as guardar.

11. RESPONSABILIDADE DO OPERÁRIO DO EQUIPAMENTO

O operário deve estar capacitado para realizar uma série de tarefas. De seguida, apresentam-se os requisitos:

- Conhecimento de todos os elementos de funcionamento geral do equipamento para o poder executar corretamente.
- Conhecimento da ficha de dados de segurança para poder agir perante qualquer emergência.
- Ser capaz de ajustar o equipamento para o adaptar aos diferentes produtos que se podem utilizar.
- Conhecimento de todos os defeitos a controlar descritos no dossier de qualidade.
- Avisar o responsável quando se observa que o equipamento não está a trabalhar em condições ótimas ou caso se observe alguma avaria.
- Registrar corretamente as quantidades produzidas de cada pedido.
- Manter a área de trabalho limpa e ordenada, e os armários em ordem.

12. FUNÇÕES DE SEGURANÇA

O dispositivo de segurança do doseador é uma válvula de desgaseificação. A válvula de desgaseificação tem como principal objetivo evitar que a pressão do interior do doseador supere os 2,5-3 bares.

13. MÁ UTILIZAÇÃO DO EQUIPAMENTO.

NÃO REALIZAR OPERAÇÕES DE MANUTENÇÃO COM O EQUIPAMENTO EM FUNCIONAMENTO.

Durante o processo de manutenção do dispositivo ou durante a troca de alguma peça, certificar-se de que está bem fixa, já que em caso contrário poderá provocar perdas no dispositivo.

NÃO CARREGAR COM EXCESSO DE PRODUTO QUÍMICO.

Controlar a quantidade de produto que se carrega no dispositivo, já que, caso se carregue em excesso, irá provocar um aumento no risco de toxicidade. Por outro lado, se a carga for inferior, o funcionamento do dispositivo não irá ser o correto.

NÃO FECHAR A VÁLVULA DE SAÍDA ENQUANTO O EQUIPAMENTO FUNCIONA Durante o funcionamento, certificar-se de que a válvula de saída está aberta se a de entrada também estiver.

NÃO UTILIZE QUALQUER TIPO DE ÓLEO OU DEGREASER.

Não use nenhum tipo de óleo ou desengraxante durante o uso e manutenção do equipamento, pois isso causaria o desgaste das juntas utilizadas no sistema hidráulico, levando a possíveis vazamentos que levariam a uma perda de pressão no sistema ou a possíveis quebras da equipe.

III.- MANUTENÇÃO

1. MANUTENÇÃO GERAL

As instruções de manutenção foram feitas com o objetivo de serem uma norma geral para iniciar a manutenção do equipamento. Recomenda-se que sejam seguidas e que sejam complementadas com uma planificação.

É importante estabelecer alguns critérios, onde se adapta a manutenção do equipamento às condições reais de trabalho, que irão ser diferentes de acordo

com as características reais de cada tarefa em particular e em função de diferentes fatores, como o ritmo de trabalho, pó no ambiente, humidade, atmosfera corrosiva, características do material.

Deve ter-se em conta os tempos dedicados à manutenção, podendo planificar-se as horas mais convenientes e que afetem o menos possível o trabalho. Se, pelo contrário, não se realizar uma manutenção correta do equipamento, podem apresentar-se avarias no momento mais inoportuno.

Medidas gerais de manutenção dos equipamentos.

- Todas as partes do equipamento devem estar limpas.
- Lubrificar de forma periódica as partes metálicas.
- Recomenda-se rever regularmente o estado das fixações e elementos de segurança.
- Verificar todos os componentes da válvula de degaseificação a cada 3 meses e trocá-la perante qualquer anomalia.
- Verificação de possíveis perdas do sistema de forma mensal.

IMPORTANTE: Quando for necessário realizar a manutenção do CLORIMAX, este deverá ser posto em funcionamento, no mínimo, 30 minutos antes de ser aberto.

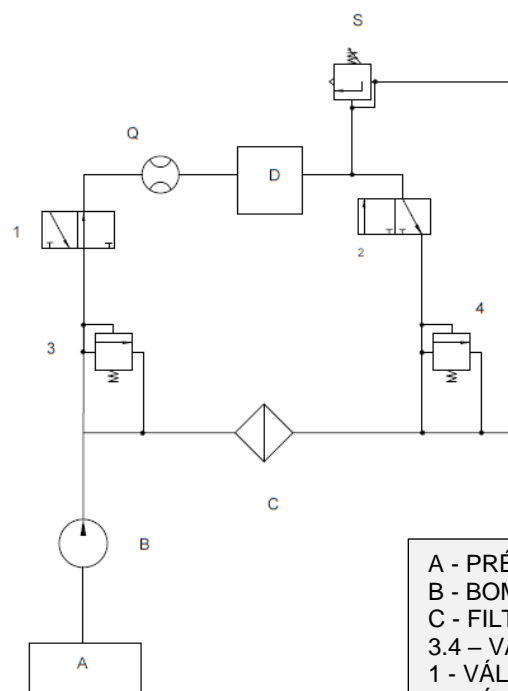
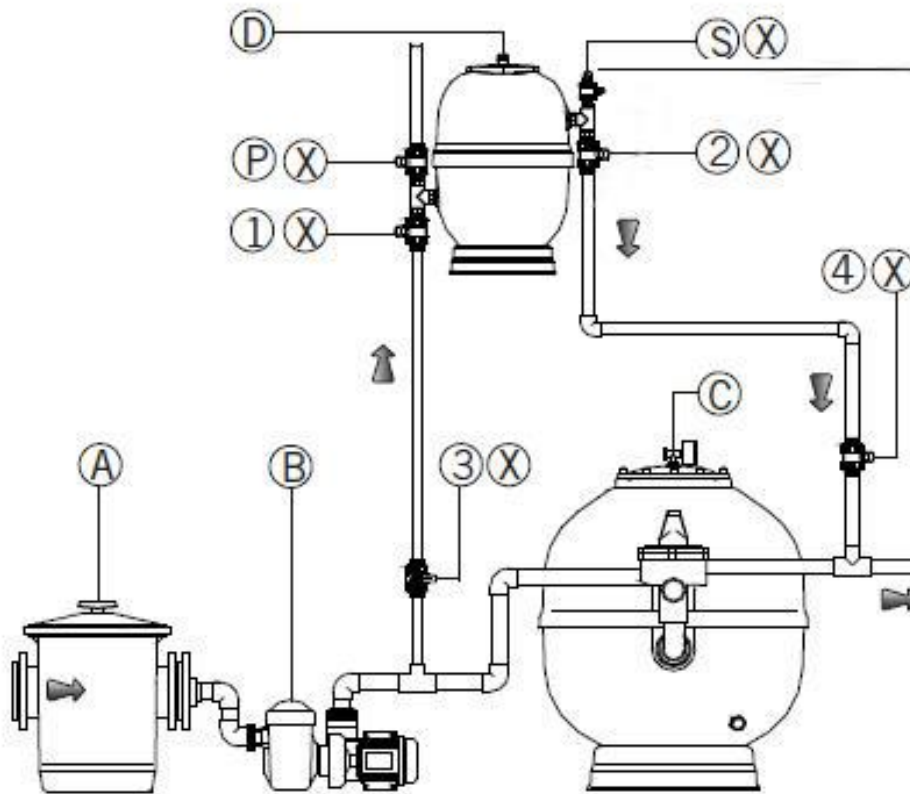
2.MANUTENÇÃO EQUIPAMENTO HIDRÁULICO

- Verificar se não existem fugas em todas as condutas quando o equipamento estiver em funcionamento.
- Verificar o estado das fixações, juntas e válvulas a cada 3 meses.
- Rever todas as condutas e substituir as que estão estragadas ou deterioradas.

- Se o CLORIMAX dispuser de um medidor de caudal, irá proceder-se com frequência à limpeza do filtro que se encontra na entrada do medidor de caudal.

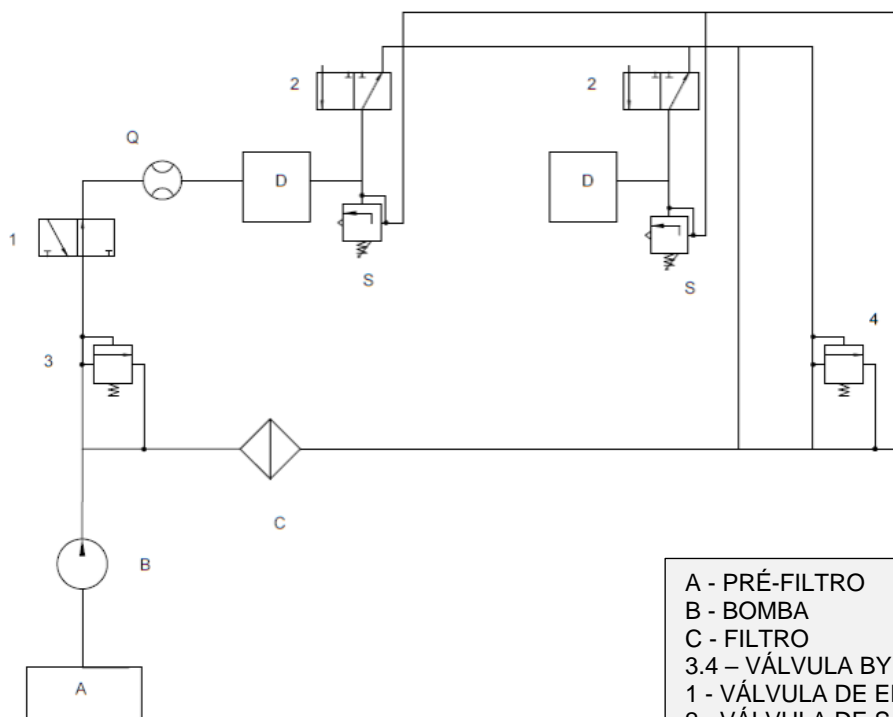
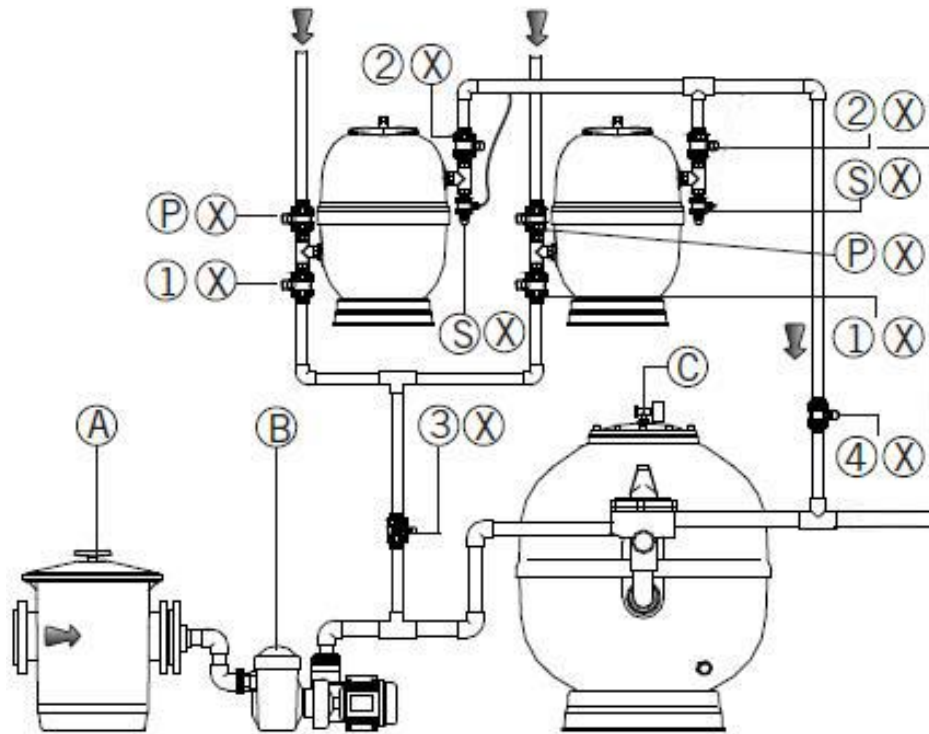
IV-ESQUEMA HIDRÁULICO

1. Instalação com um doseador:



- | | |
|-----|------------------------------|
| A | - PRÉ-FILTRO |
| B | - BOMBA |
| C | - FILTRO |
| 3.4 | - VÁLVULA BYPASS |
| 1 | - VÁLVULA DE ENTRADA |
| 2 | - VÁLVULA DE SAÍDA |
| Q | - FLUXÍMETRO |
| D | - DOSEADOR |
| S | - VÁLVULA DE DESGASEIFICAÇÃO |

2.Instalação com mais do que um doseador:



- A - PRÉ-FILTRO
- B - BOMBA
- C - FILTRO
- 3.4 - VÁLVULA BYPASS
- 1 - VÁLVULA DE ENTRADA
- 2 - VÁLVULA DE SAÍDA
- Q - FLUXÍMETRO
- D - DOSEADOR
- S - VÁLVULA DE DESGASEIFICAÇÃO