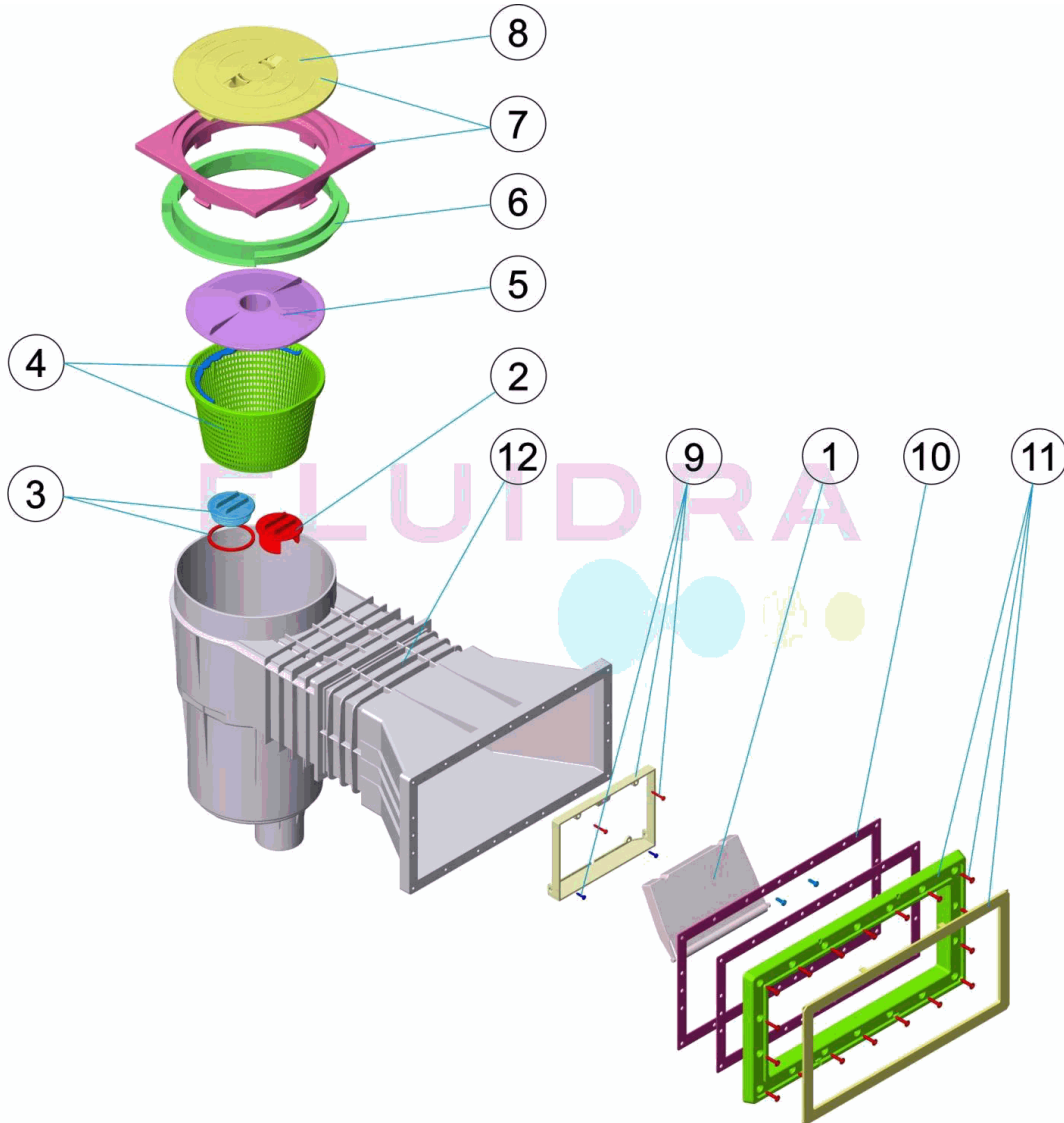


CODIGO 11314

DESCRIPCION: SKIMMER 17,5L PP B.ANCHA MAS ALARGO AUTR. T. CUADRADA

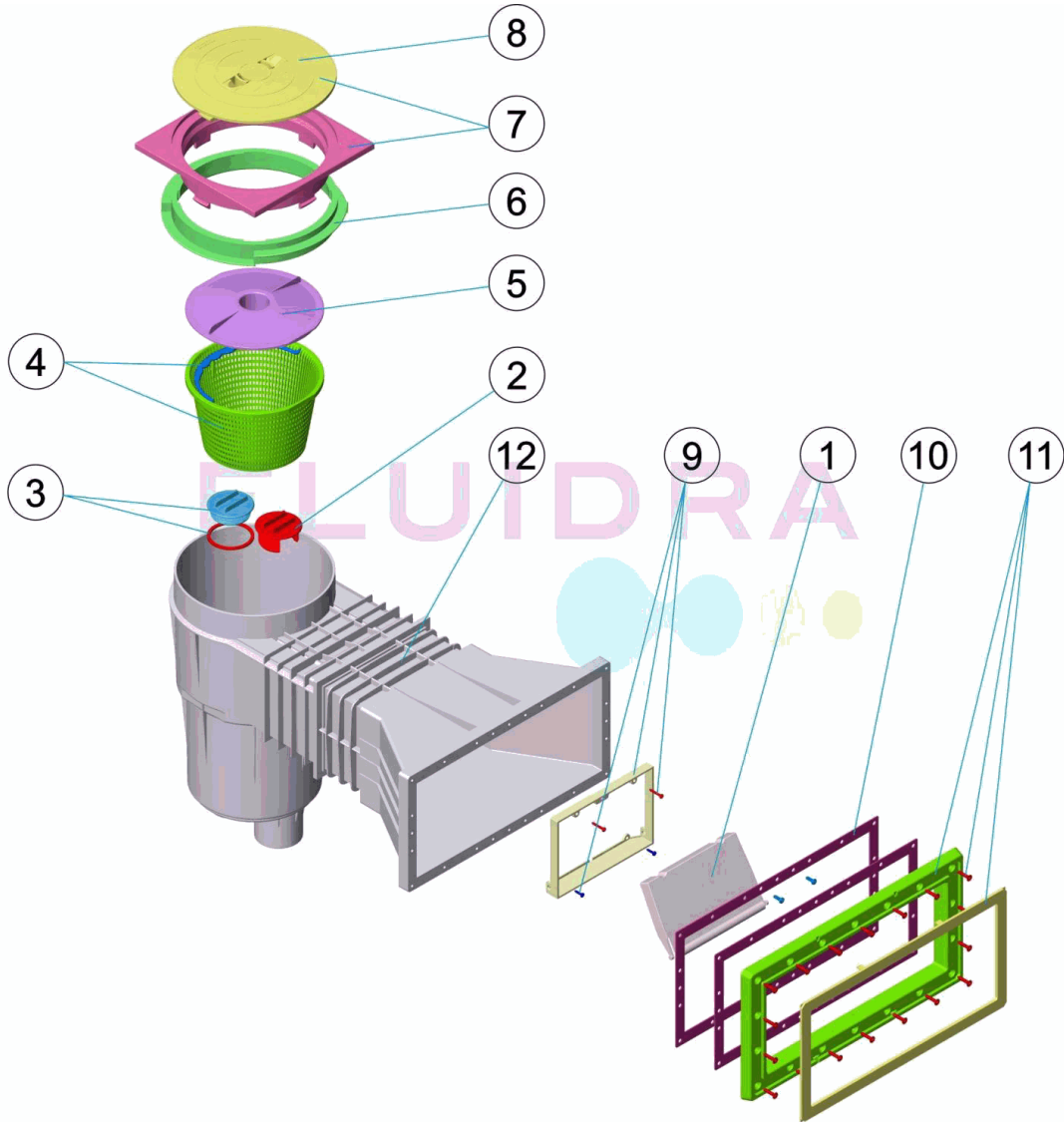


ESPAÑOL

POS	CODIGO	DESCRIPCION	POS	CODIGO	DESCRIPCION
1	4402010501	COMPUERTA SKIMMER CON CLIP	7	4402010510	MARCO CUADRADO Y TAPA
2	4402010502	TAPON REGULADOR	8	4402010509	TAPA SKIMMER
3	4402010503	TAPON CON JUNTA	9	4402010508	MARCO COMPUERTA SKIMMER
4	4402010504	CESTO SKIMMER 17,5 LTS.	10	4402010407	JUNTA SKIMMER GRANDE PISC. PREF.
5	4402010505	TAPA CESTO SKIMMER	11	4402010412	MARCO BOCA SKIMMER PISC. PREF. (PARKER)
6	4402010506	ANILLO DISTANCIADOR SKIMMER	12	4402010082	BOCA INTERMEDIA SKIMMER

CODE 11314

DESCRIPTION: SKIMMER 17,5L PP O. LARGE PLUS RALLONGE AUTR C. CARRÉ

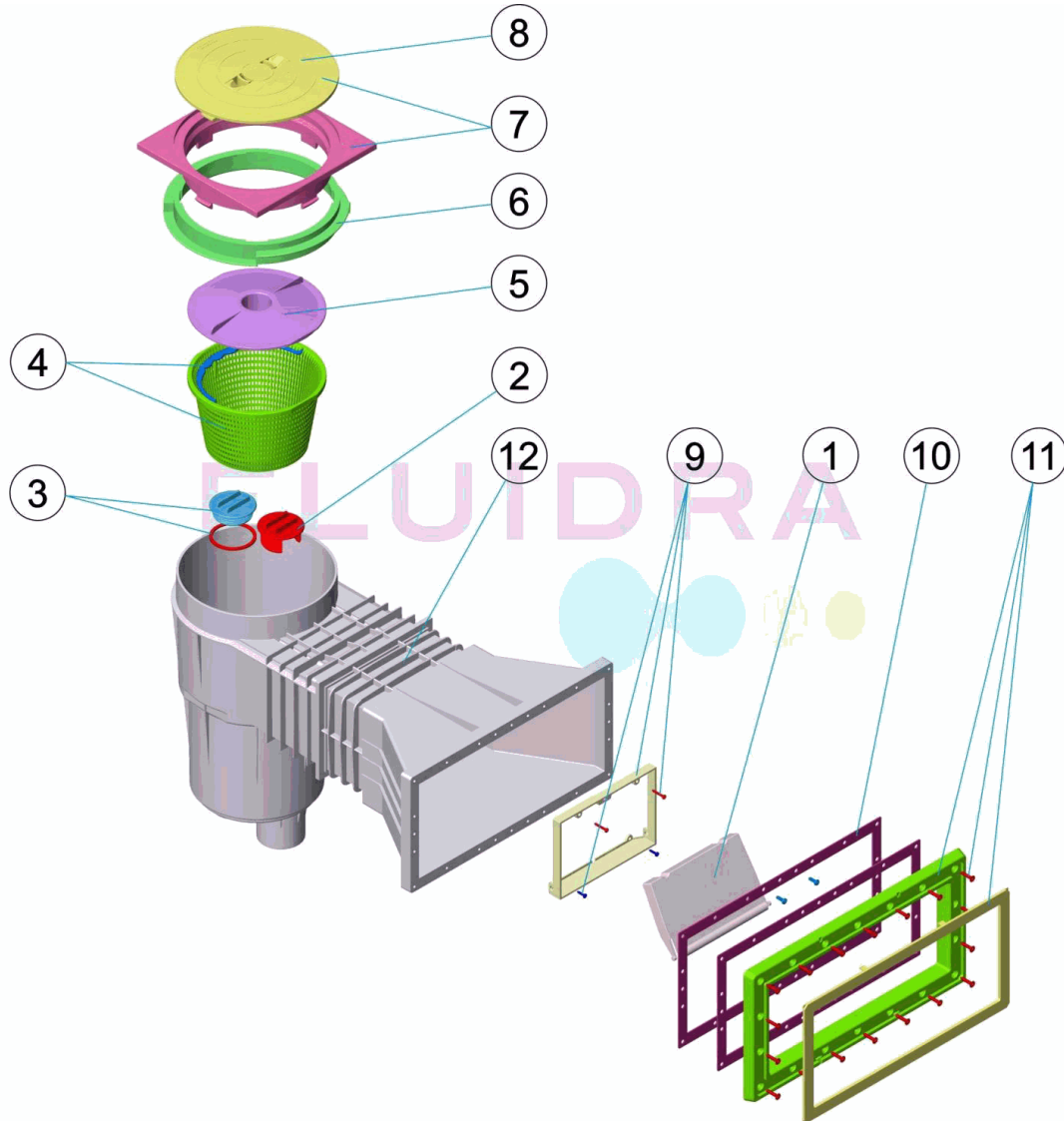


FRANCAIS

POS	CODE	DESCRIPTION	POS	CODE	DESCRIPTION
1	4402010501	VOLET DE SKIMMER	7	4402010510	CADRE ET COUVERCLE ROND
2	4402010502	BOUCHON REGULATEUR	8	4402010509	COUVERCLE ROND DE SKIMMER
3	4402010503	BOUCHON SKIMMER AVEC JOINT	9	4402010508	CADRE VOLET SKIMMER
4	4402010504	PANIER SKIMMER 17,5 LTS	10	4402010407	JOINT SKIM GRAND MOD PISCINE LINER
5	4402010505	COUVERCLE PANIER SKIMMER	11	4402010412	BRIDE ET CACHE VIS KIT LINER (PARKER)
6	4402010506	CADRE REHAUSSE COUVERCLE	12	4402010082	BOUCHE INTERMEDIAIRE RALLONGE SKIMMER

CODE 11314

DESCRIPTION: SKIMMER 17.5L PP WIDE MOUTH EXTENDED THREAD-FORMING SCREW SQUA

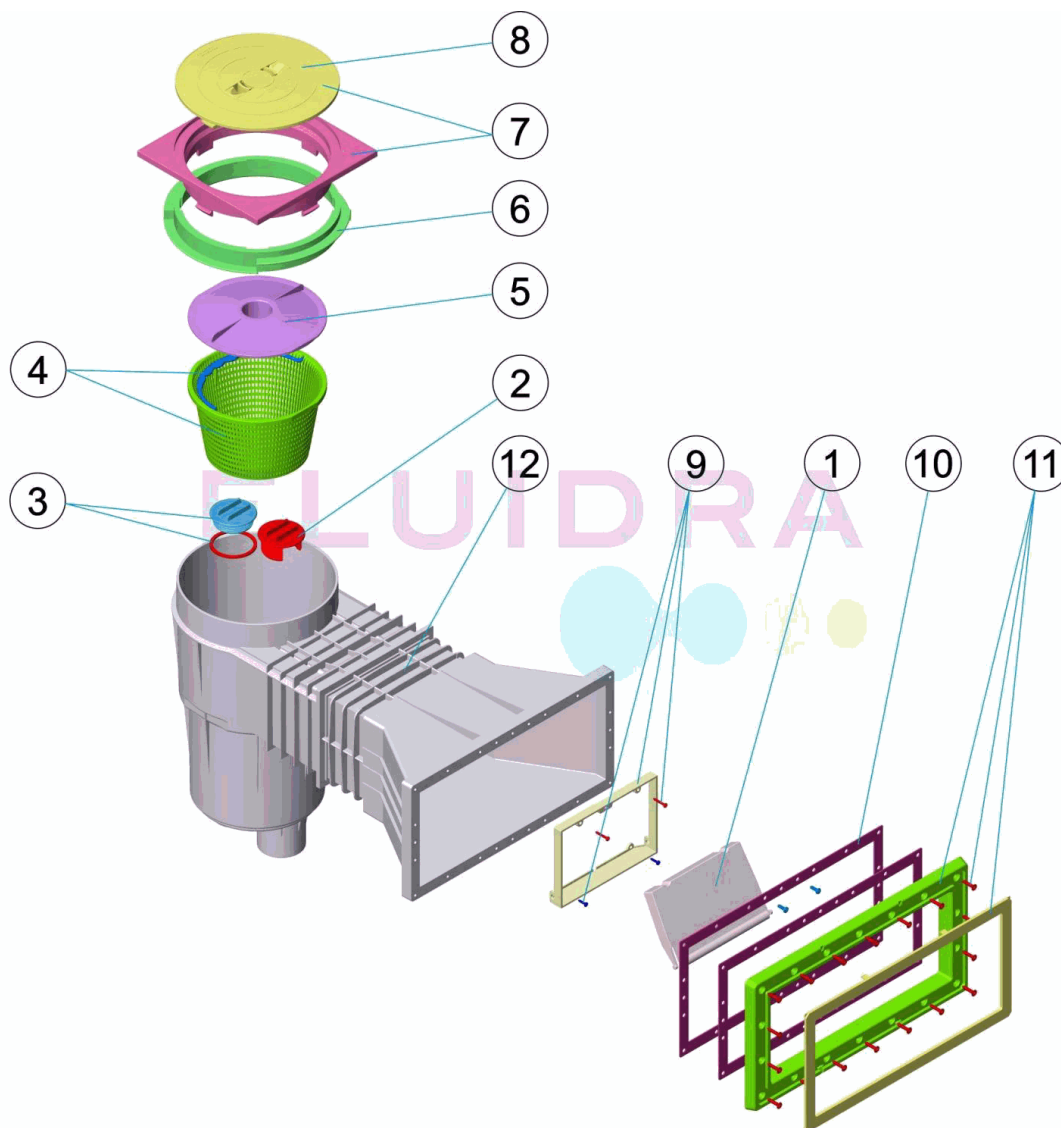


ENGLISH

POS	CODE	DESCRIPTION	POS	CODE	DESCRIPTION
1	4402010501	SKIMMER FLAP	7	4402010510	SQUARE RIM AND LID
2	4402010502	REGULATING PLUG	8	4402010509	SKIMMER LID
3	4402010503	BLANKING PLUG AND 'O' RING	9	4402010508	FLAP FRAME
4	4402010504	BASKET 17,5 LITRES	10	4402010407	LARGE SKIMMER GASKETS FOR LINER
5	4402010505	VACUUM PLATE	11	4402010412	SKIMMER FRAME FOR LINER (PARKER)
6	4402010506	COLLAR EXTENSION RING	12	4402010082	SKIMMER THROAT

CODICE 11314

DESCRIZIONE: SKIMMER 17,5L PP B. LARGA PIÙ ESTENSIONE AUTOFIL. TAPPO QUADRATO

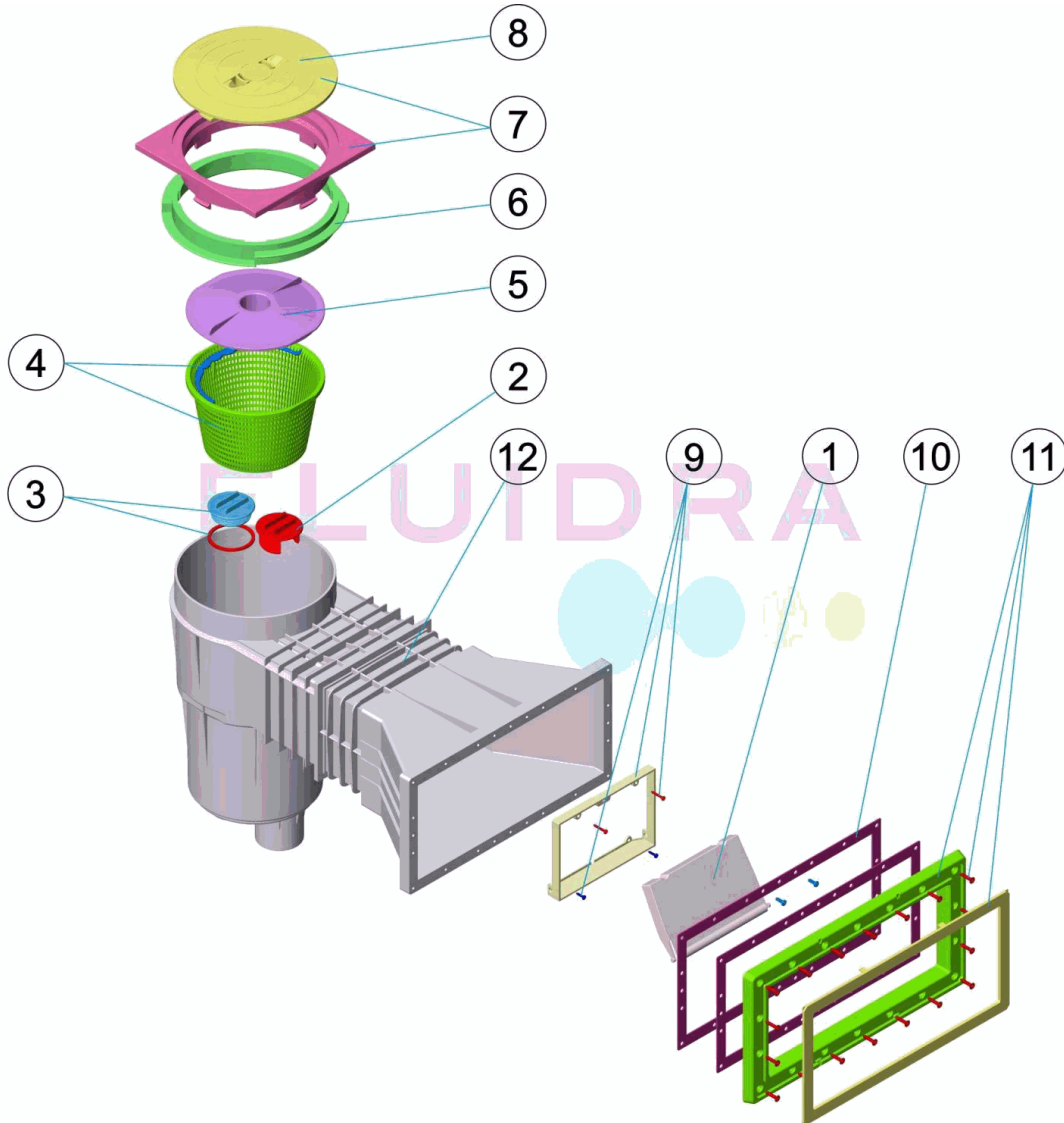


ITALIANO

POS	CODICE	DESCRIZIONE	POS	CODICE	DESCRIZIONE
1	4402010501	BATTENTE SKIMMER CON CLIP	7	4402010510	FLANGIA QUADRATA E COPERCHIO
2	4402010502	TAPPO DI REGOLAZIONE	8	4402010509	COPERCHIO SKIMMER
3	4402010503	TAPPO CON GUARNIZIONE	9	4402010508	CORNICE BATTENTE SKIMMER
4	4402010504	CESTELLO SKIMMER DA 17,5 LITRI	10	4402010407	GUARNIZIONE PER SKIMMER BOCCA A V PER P.F
5	4402010505	COPERCHIO CESTELLO SKIMMER	11	4402010412	FLANGIA BOCCA SKIMMER PER PISCINA IN C.A. (F
6	4402010506	ANELLO DISTANZIATORE SKIMMER	12	4402010082	BOCCA INTERMEDIA SKIMMER

CODE **11314**

BESCHREIBUNG: **SKIMMER 17,5L PP EINLASS BREIT MIT VERLÄNGERUNG SELBSTBOHREND**

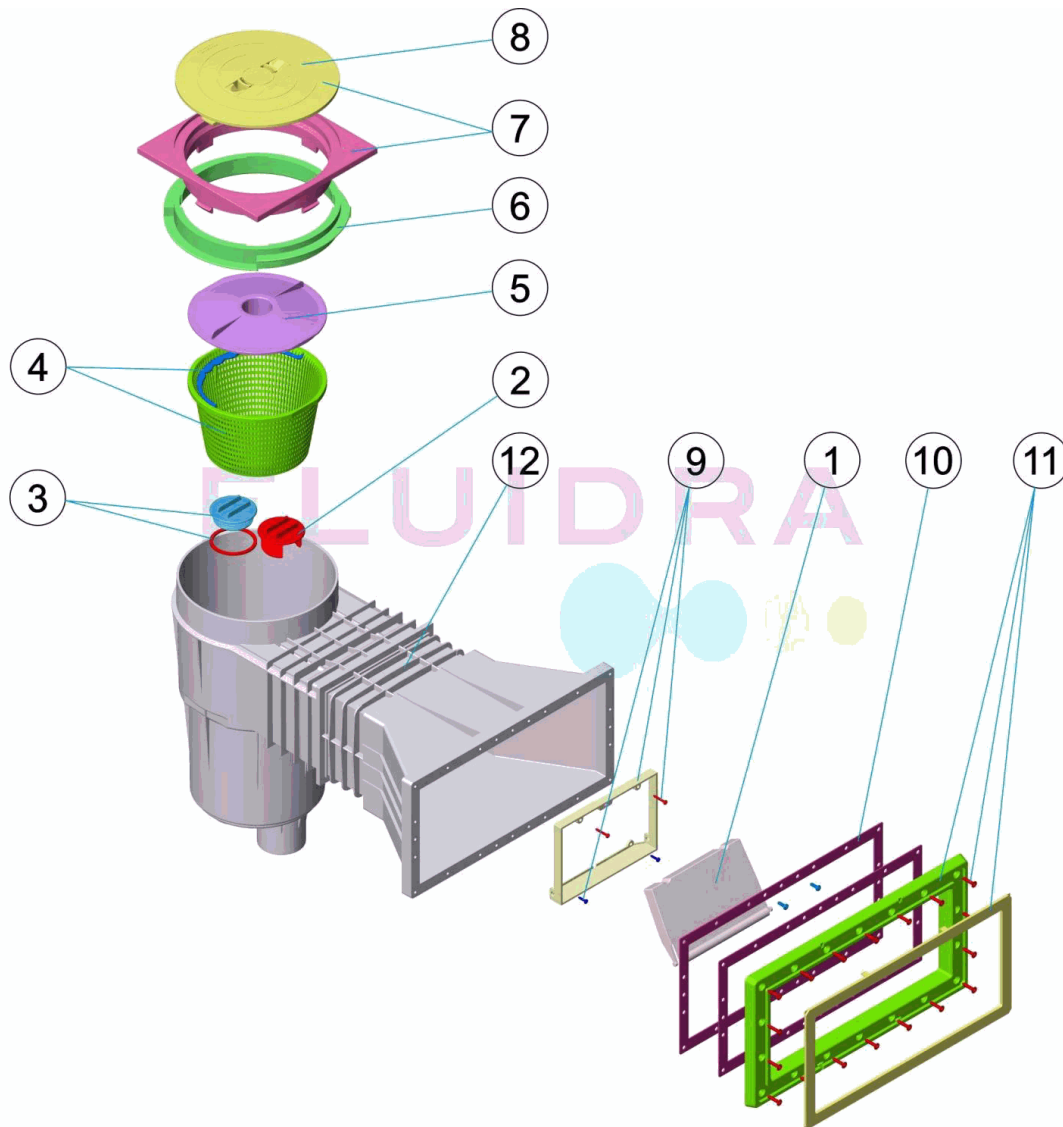


DEUTSCH

POS	CODE	BESCHREIBUNG	POS	CODE	BESCHREIBUNG
1	4402010501	SKIMMERKLAPPE MIT CLIP	7	4402010510	QUADRATISCHER RAHMEN UND ABDECKUNG
2	4402010502	STOPFEN REGULIERUNG	8	4402010509	SKIMMERDECKEL
3	4402010503	STOPFEN UND DICHUNG	9	4402010508	RAHMEN SKIMMERKLAPPE
4	4402010504	SKIMMERKORB 17,5 L	10	4402010407	DICHTUNG SKIMMER GROSS FERTIGBECKEN
5	4402010505	ABDECKUNG SKIMMKORB	11	4402010412	RAHMEN SKIMMEREINLASS FERTIGBECKEN (PAR
6	4402010506	DISTANZRING SKIMMER	12	4402010082	EINLASS MITTIG SKIMMER

CODIGO **11314**

DESCRIÇÃO: **SKIMMER 17,5 L PP B. LARGA MAIS EXTENSÃO AUTR. T. QUADRADA**

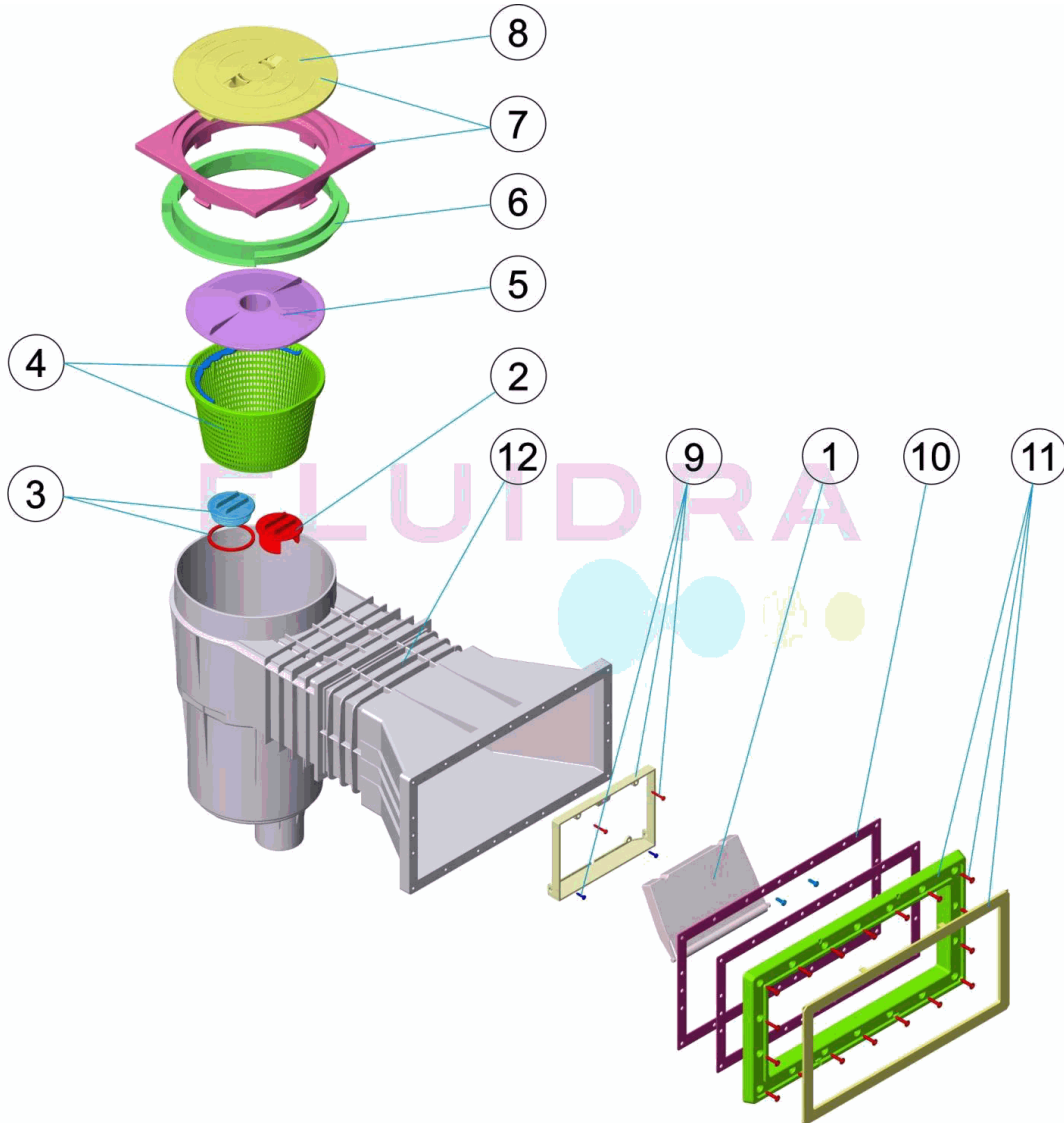


PORTUGUES

POS	CODIGO	DESCRIÇÃO	POS	CODIGO	DESCRIÇÃO
1	4402010501	COMPORTA SKIMMER CLIP	7	4402010510	ARO QUADRADO E TAMPA
2	4402010502	TAMPA REGULADORA	8	4402010509	TAMPA SKIMMER
3	4402010503	TAMPA COM JUNTA	9	4402010508	CAIXILHO COMPORTA SKIMMER
4	4402010504	CESTO SKIMMER 17,5 LTS	10	4402010407	JUNTA GRANDE DE SKIMMER
5	4402010505	TAMPA CESTO SKIMMER	11	4402010412	CAIXILHO BOCA SKIMMER (PARKER)
6	4402010506	ANEL DISTANCIADOR SKIMMER	12	4402010082	BOCA INTERMÉDIA DE SKIMMER

CODIGO 11314

DESCRIPCION: SKIMMER 17,5L PP B.ANCHA MAS ALARGO AUTR. T. CUADRADA

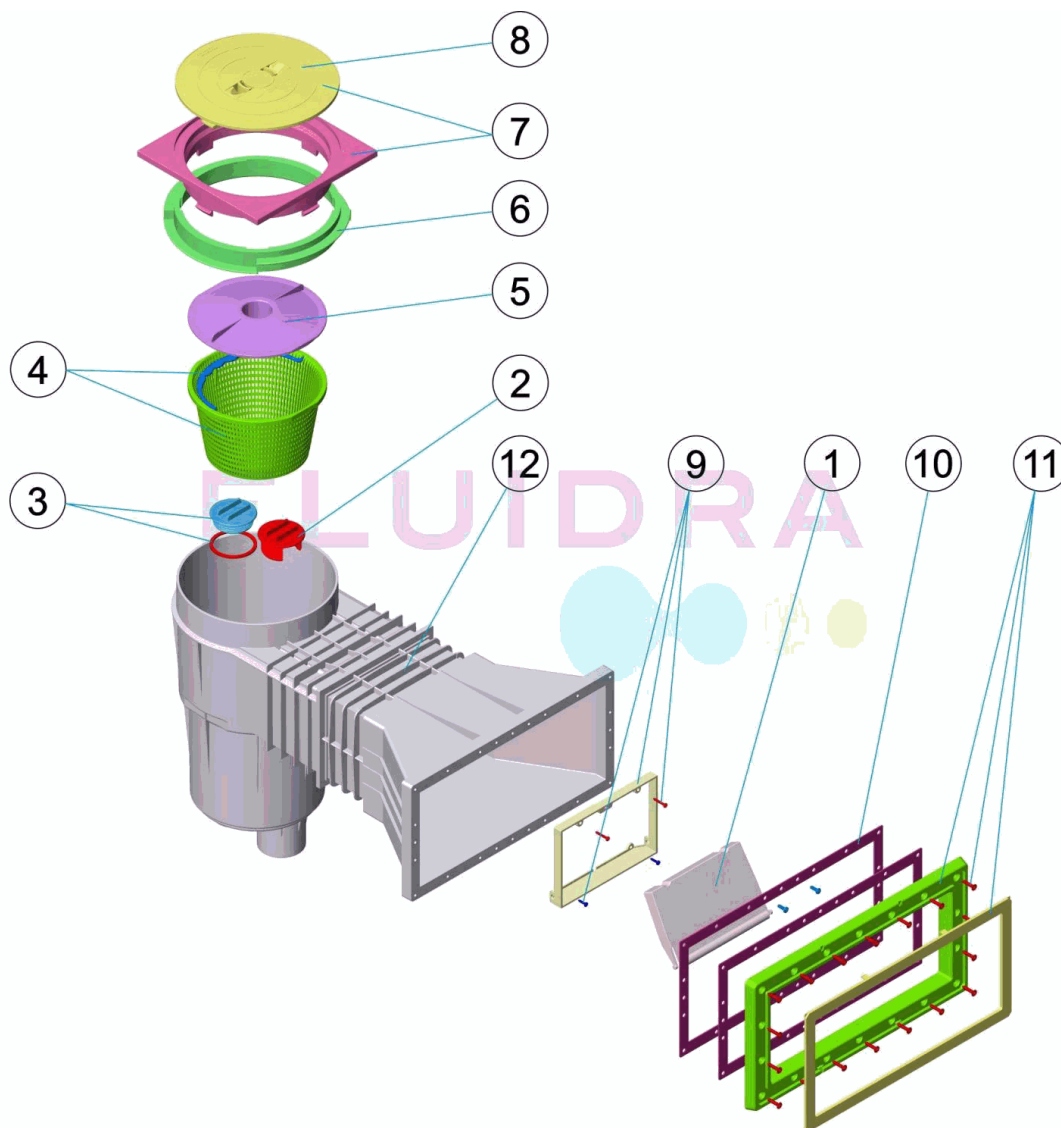


ESPAÑOL

POS	CODIGO	DESCRIPCION	POS	CODIGO	DESCRIPCION
1	4402010501	COMPUERTA SKIMMER CON CLIP	7	4402010510	MARCO CUADRADO Y TAPA
2	4402010502	TAPON REGULADOR	8	4402010509	TAPA SKIMMER
3	4402010503	TAPON CON JUNTA	9	4402010508	MARCO COMPUERTA SKIMMER
4	4402010504	CESTO SKIMMER 17,5 LTS.	10	4402010407	JUNTA SKIMMER GRANDE PISC. PREF.
5	4402010505	TAPA CESTO SKIMMER	11	4402010412	MARCO BOCA SKIMMER PISC. PREF. (PARKER)
6	4402010506	ANILLO DISTANCIADOR SKIMMER	12	4402010082	BOCA INTERMEDIA SKIMMER

CODE 11314

DESCRIPTION: SKIMMER 17,5L PP O. LARGE PLUS RALLONGE AUTR C. CARRÉ

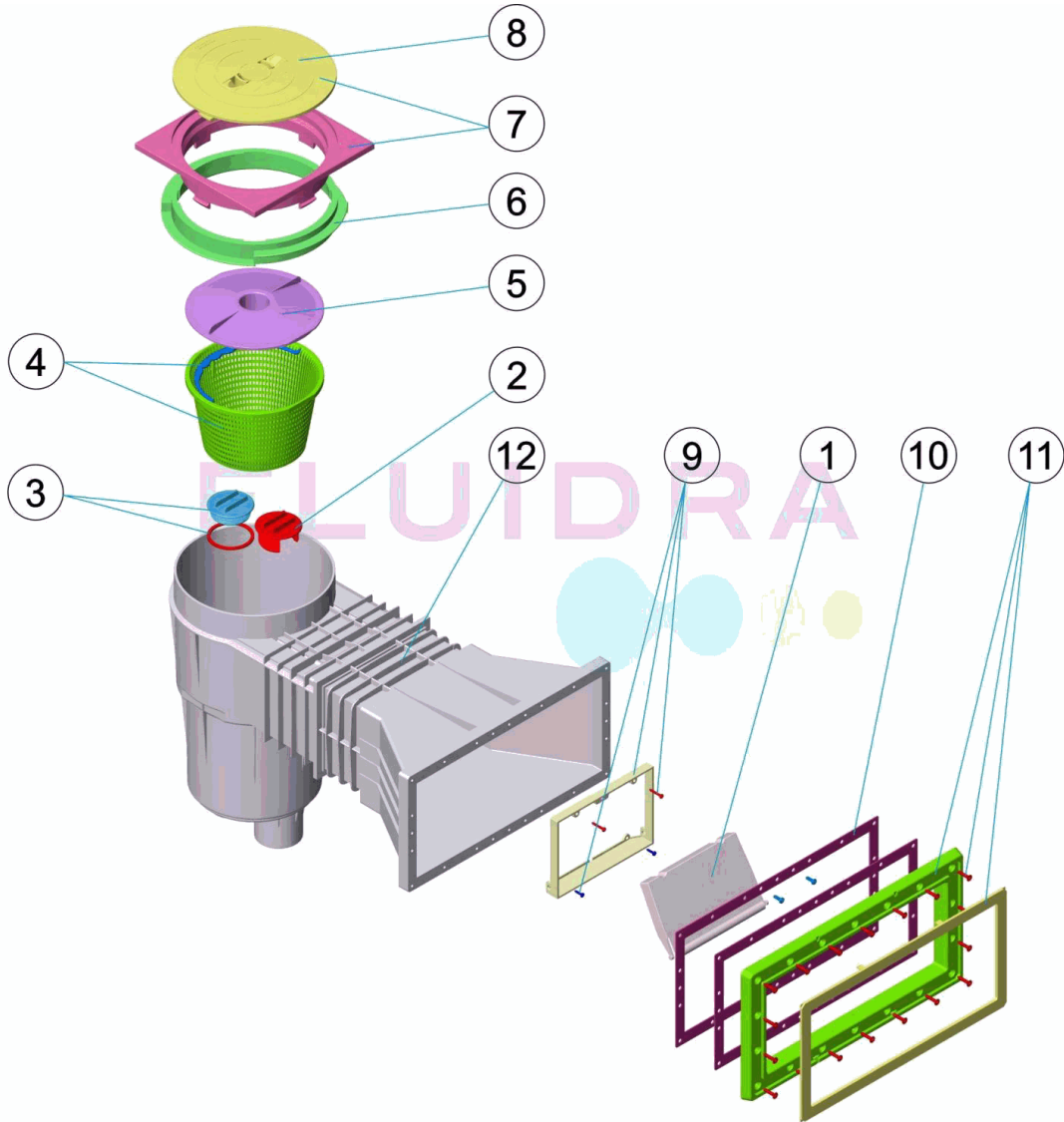


FRANCAIS

POS	CODE	DESCRIPTION	POS	CODE	DESCRIPTION
1	4402010501	VOLET DE SKIMMER	7	4402010510	CADRE ET COUVERCLE ROND
2	4402010502	BOUCHON REGULATEUR	8	4402010509	COUVERCLE ROND DE SKIMMER
3	4402010503	BOUCHON SKIMMER AVEC JOINT	9	4402010508	CADRE VOLET SKIMMER
4	4402010504	PANIER SKIMMER 17,5 LTS	10	4402010407	JOINT SKIM GRAND MOD PISCINE LINER
5	4402010505	COUVERCLE PANIER SKIMMER	11	4402010412	BRIDE ET CACHE VIS KIT LINER (PARKER)
6	4402010506	CADRE REHAUSSE COUVERCLE	12	4402010082	BOUCHE INTERMEDIAIRE RALLONGE SKIMMER

CODE 11314

DESCRIPTION: SKIMMER 17.5L PP WIDE MOUTH EXTENDED THREAD-FORMING SCREW SQUA

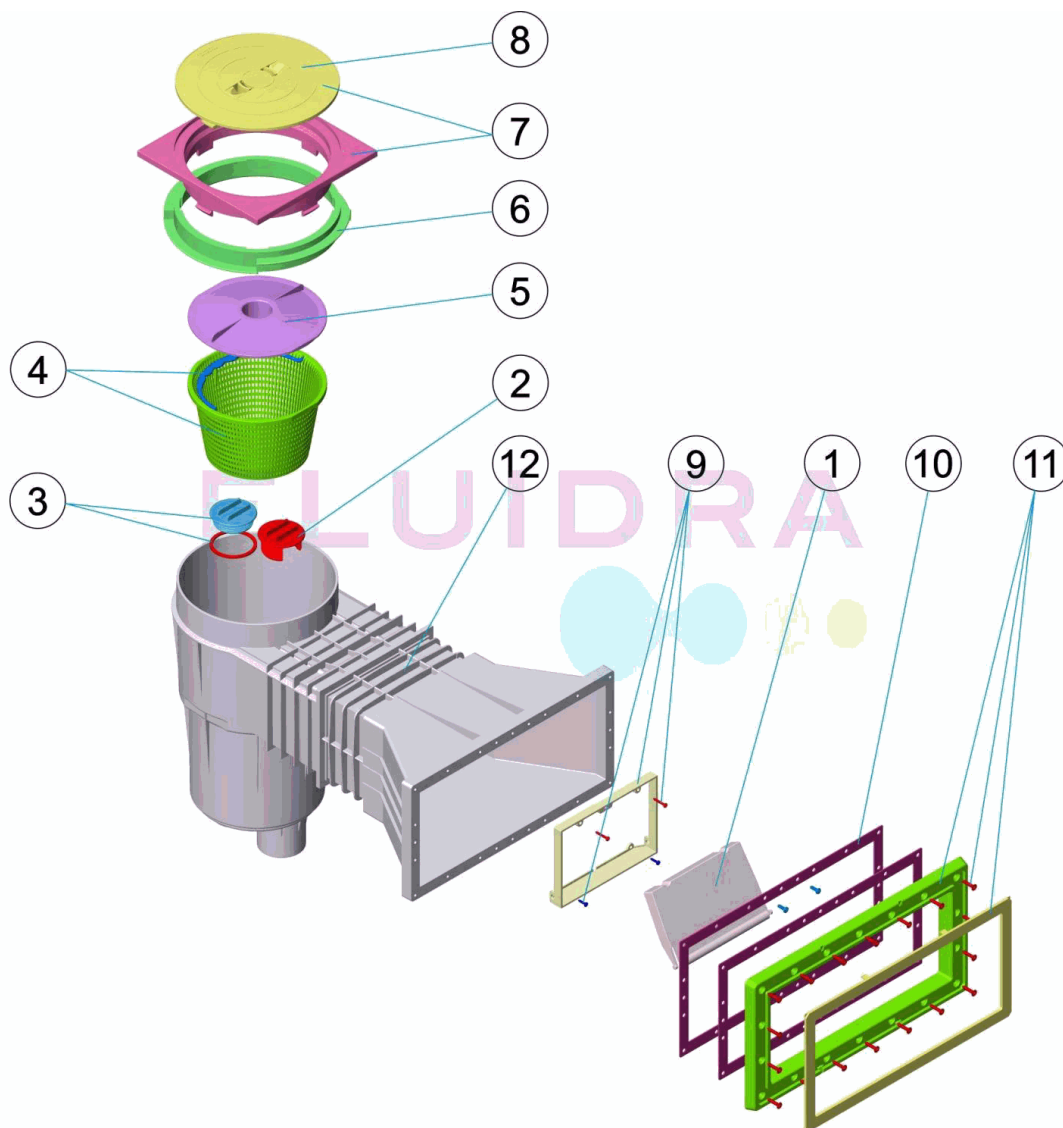


ENGLISH

POS	CODE	DESCRIPTION	POS	CODE	DESCRIPTION
1	4402010501	SKIMMER FLAP	7	4402010510	SQUARE RIM AND LID
2	4402010502	REGULATING PLUG	8	4402010509	SKIMMER LID
3	4402010503	BLANKING PLUG AND 'O' RING	9	4402010508	FLAP FRAME
4	4402010504	BASKET 17,5 LITRES	10	4402010407	LARGE SKIMMER GASKETS FOR LINER
5	4402010505	VACUUM PLATE	11	4402010412	SKIMMER FRAME FOR LINER (PARKER)
6	4402010506	COLLAR EXTENSION RING	12	4402010082	SKIMMER THROAT

CODICE 11314

DESCRIZIONE: SKIMMER 17,5L PP B. LARGA PIÙ ESTENSIONE AUTOFIL. TAPPO QUADRATO

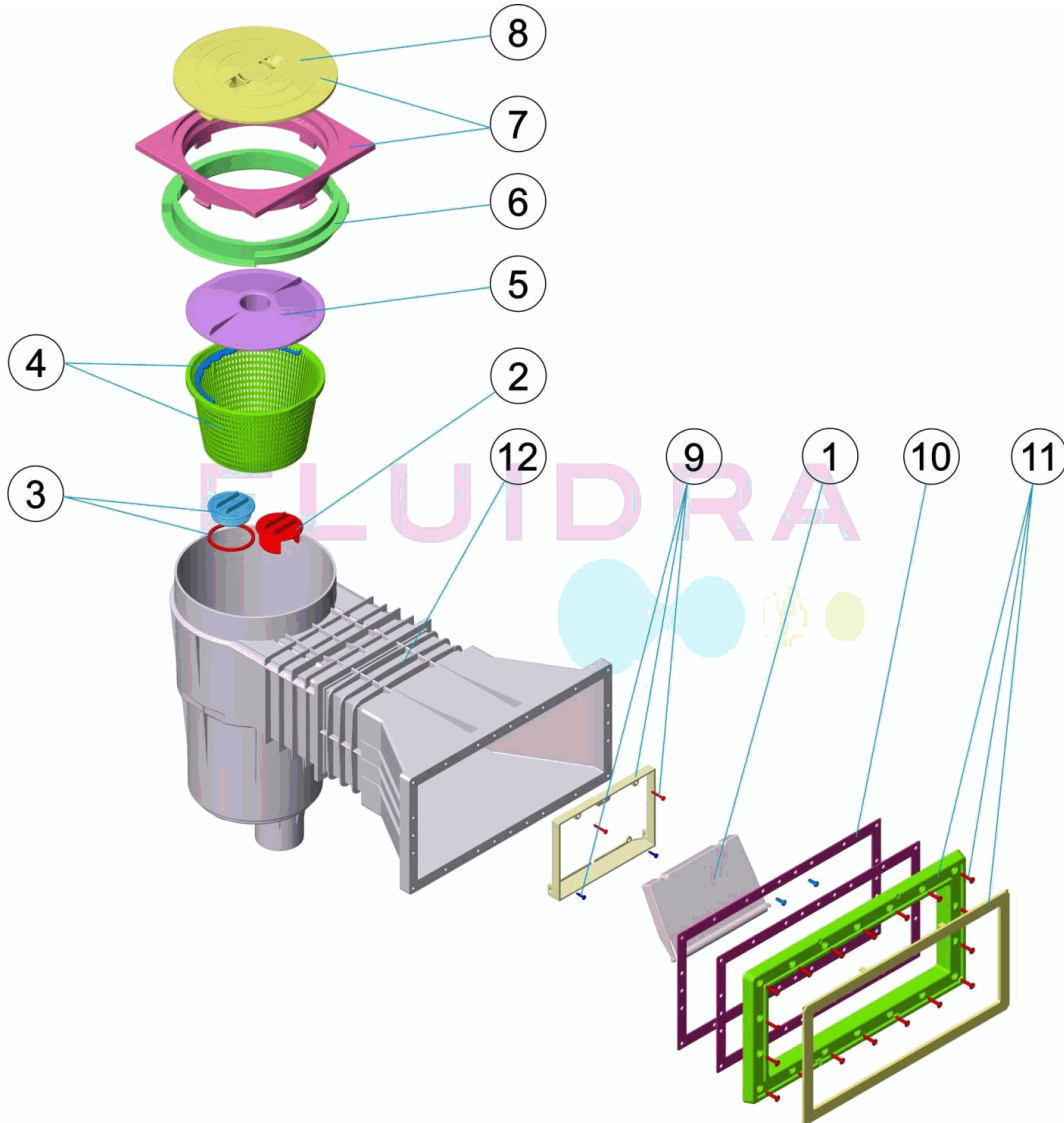


ITALIANO

POS	CODICE	DESCRIZIONE	POS	CODICE	DESCRIZIONE
1	4402010501	BATTENTE SKIMMER CON CLIP	7	4402010510	FLANGIA QUADRATA E COPERCHIO
2	4402010502	TAPPO DI REGOLAZIONE	8	4402010509	COPERCHIO SKIMMER
3	4402010503	TAPPO CON GUARNIZIONE	9	4402010508	CORNICE BATTENTE SKIMMER
4	4402010504	CESTELLO SKIMMER DA 17,5 LITRI	10	4402010407	GUARNIZIONE PER SKIMMER BOCCA A V PER P.F
5	4402010505	COPERCHIO CESTELLO SKIMMER	11	4402010412	FLANGIA BOCCA SKIMMER PER PISCINA IN C.A. (F
6	4402010506	ANELLO DISTANZIATORE SKIMMER	12	4402010082	BOCCA INTERMEDIA SKIMMER

CODE 11314

BESCHREIBUNG: SKIMMER 17,5L PP EINLASS BREIT MIT VERLÄNGERUNG SELBSTBOHREND

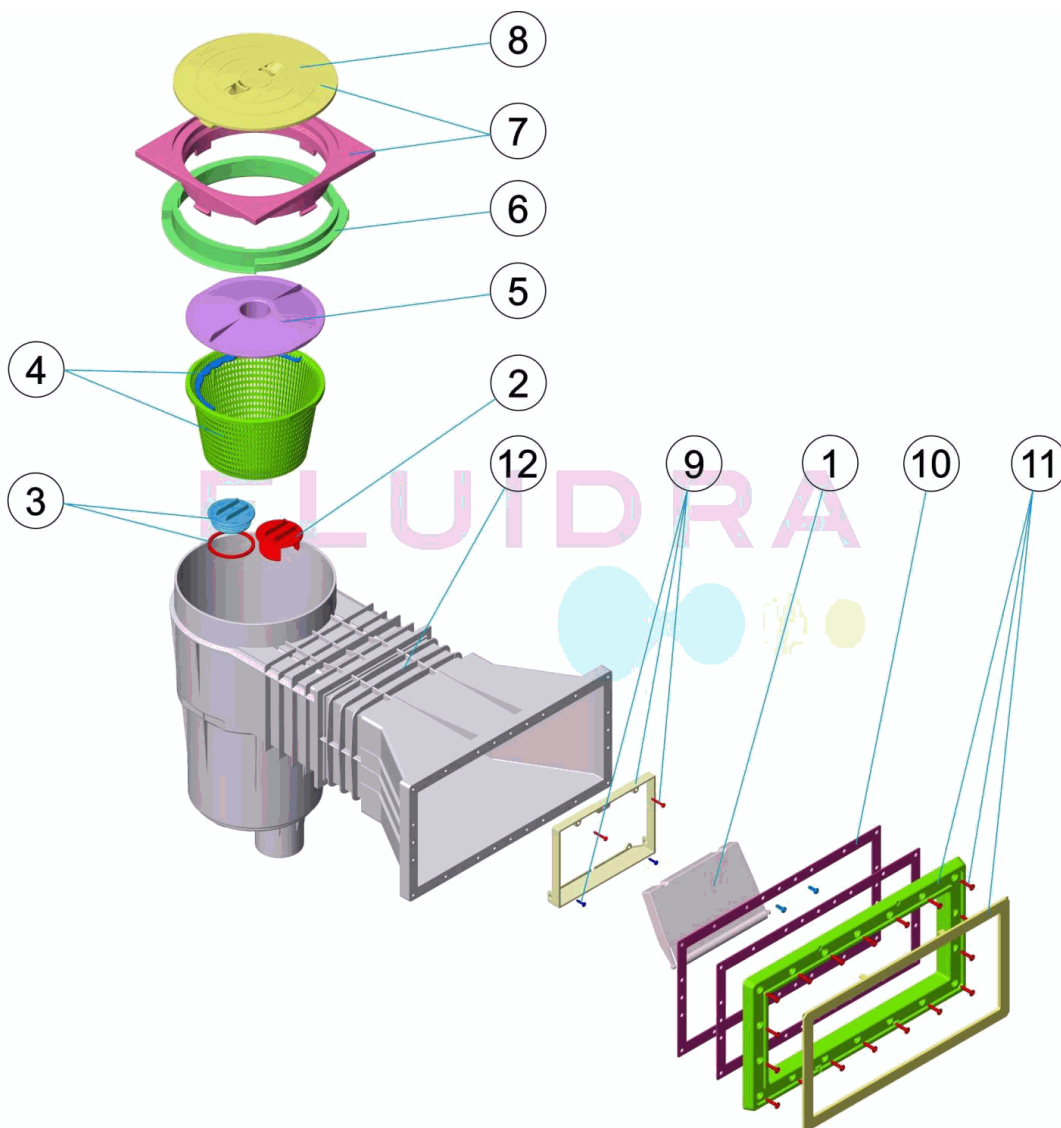


DEUTSCH

POS	CODE	BESCHREIBUNG	POS	CODE	BESCHREIBUNG
1	4402010501	SKIMMERKLAPPE MIT CLIP	7	4402010510	QUADRATISCHER RAHMEN UND ABDECKUNG
2	4402010502	STOPFEN REGULIERUNG	8	4402010509	SKIMMERDECKEL
3	4402010503	STOPFEN UND DICHTUNG	9	4402010508	RAHMEN SKIMMERKLAPPE
4	4402010504	SKIMMERKORB 17,5 L	10	4402010407	DICHTUNG SKIMMER GROSS FERTIGBECKEN
5	4402010505	ABDECKUNG SKIMMKORB	11	4402010412	RAHMEN SKIMMEREINLASS FERTIGBECKEN (PAR
6	4402010506	DISTANZRING SKIMMER	12	4402010082	EINLASS MITTIG SKIMMER

CODIGO 11314

DESCRIÇÃO: SKIMMER 17,5 L PP B. LARGA MAIS EXTENSÃO AUTR. T. QUADRADA



PORTUGUES

POS	CODIGO	DESCRIÇÃO	POS	CODIGO	DESCRIÇÃO
1	4402010501	COMPORTA SKIMMER CLIP	7	4402010510	ARO QUADRADO E TAMPA
2	4402010502	TAMPA REGULADORA	8	4402010509	TAMPA SKIMMER
3	4402010503	TAMPA COM JUNTA	9	4402010508	CAIXILHO COMPORTA SKIMMER
4	4402010504	CESTO SKIMMER 17,5 LTS	10	4402010407	JUNTA GRANDE DE SKIMMER
5	4402010505	TAMPA CESTO SKIMMER	11	4402010412	CAIXILHO BOCA SKIMMER (PARKER)
6	4402010506	ANEL DISTANCIADOR SKIMMER	12	4402010082	BOCA INTERMÉDIA DE SKIMMER