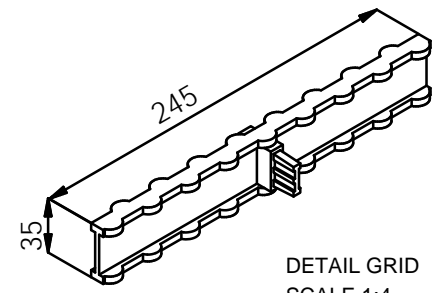
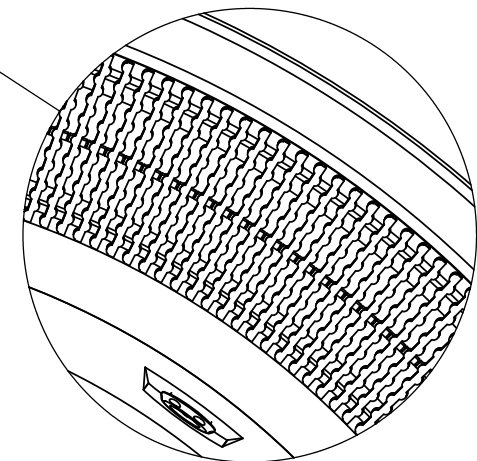
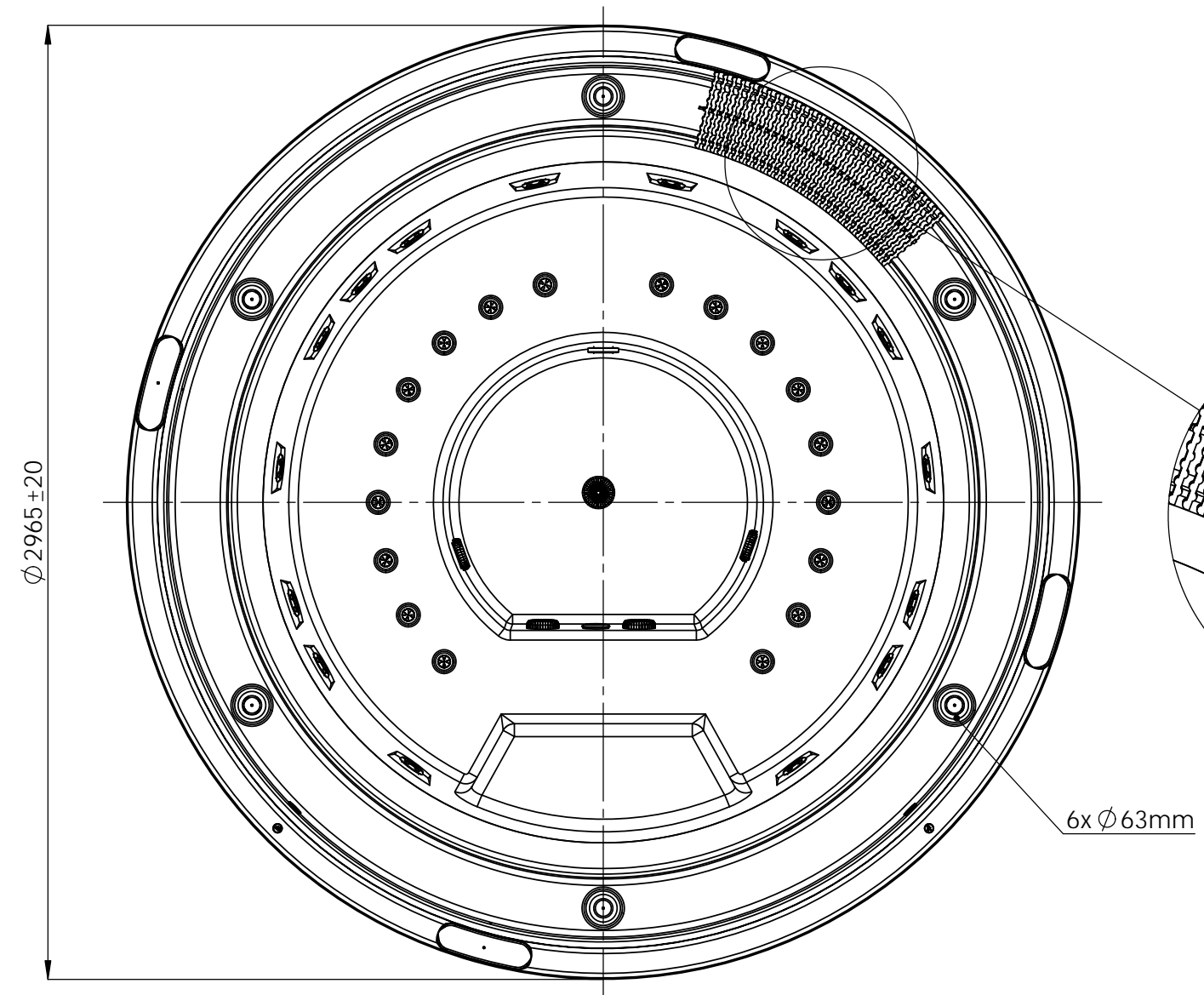
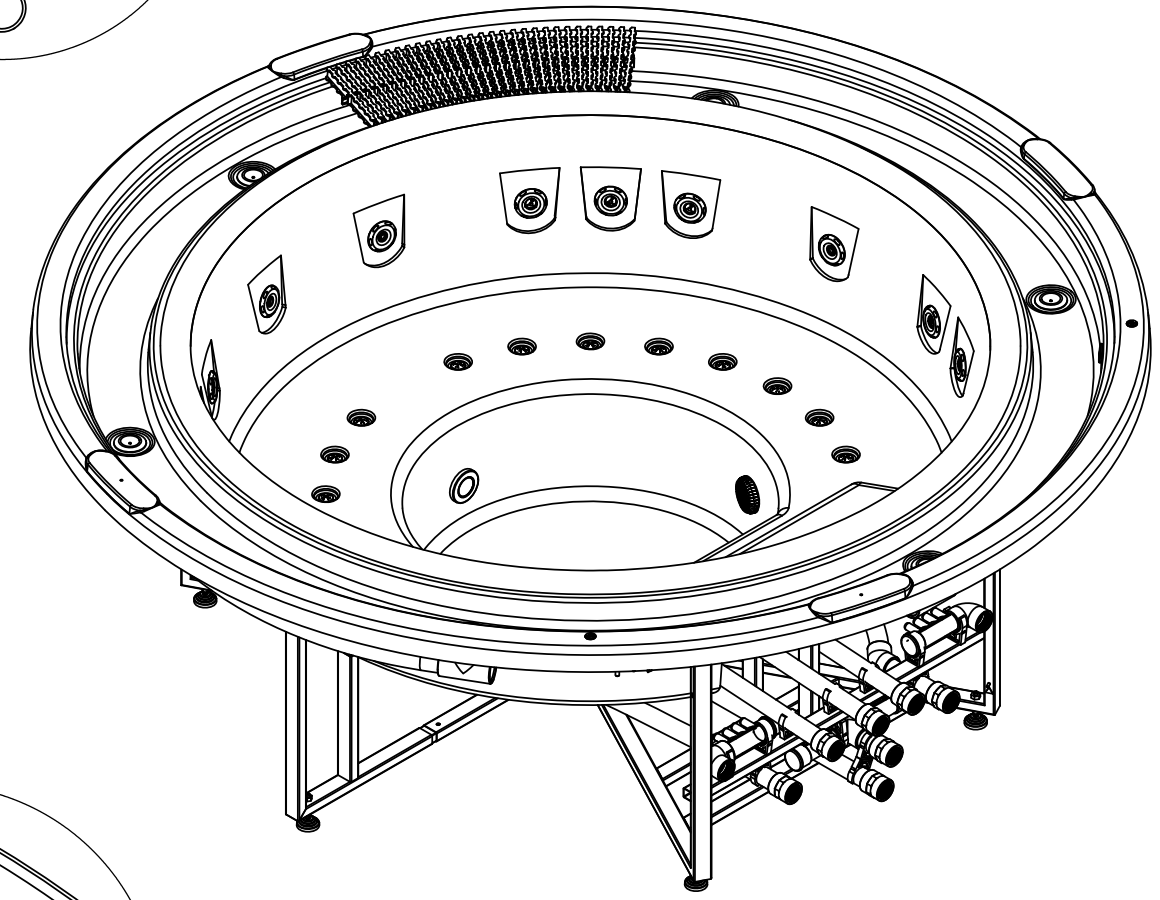
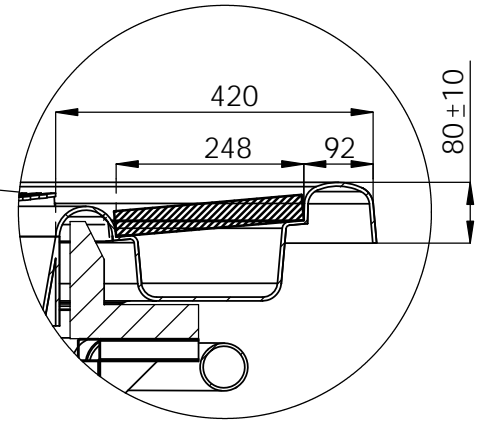
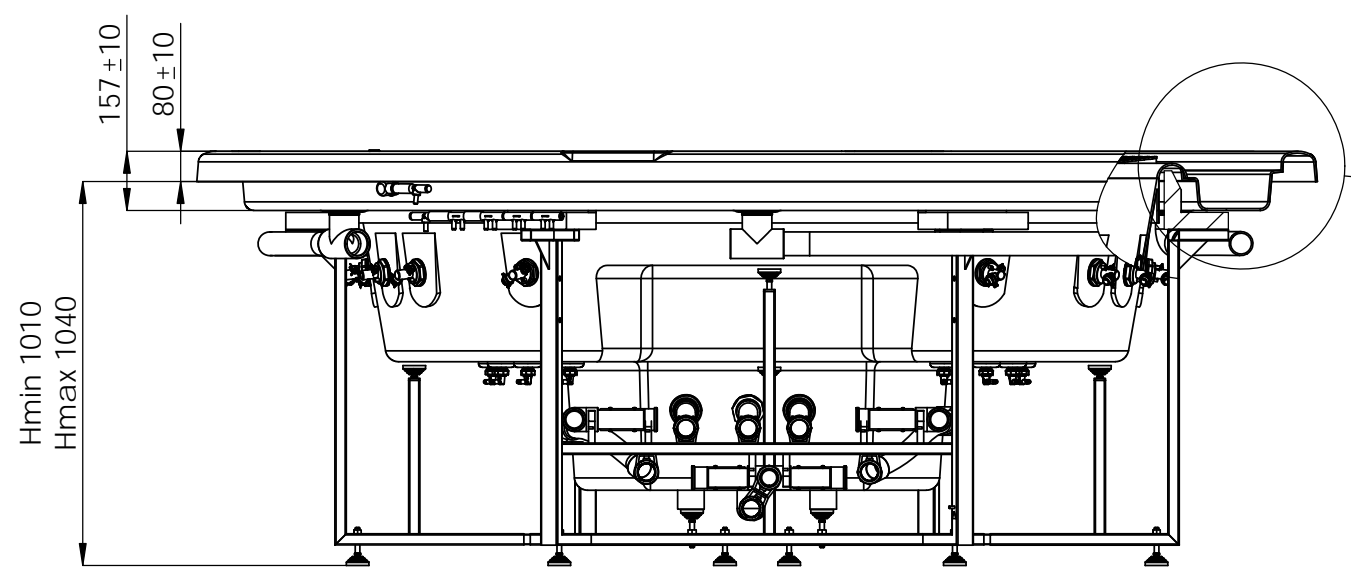


General specifications	
Spa weight (dry)	224 Kg
Spa weight (filled)	2168 Kg
Package dimension	3110x2300x2400mm
Package weight	384 Kg



DETAIL GRID
SCALE 1:4

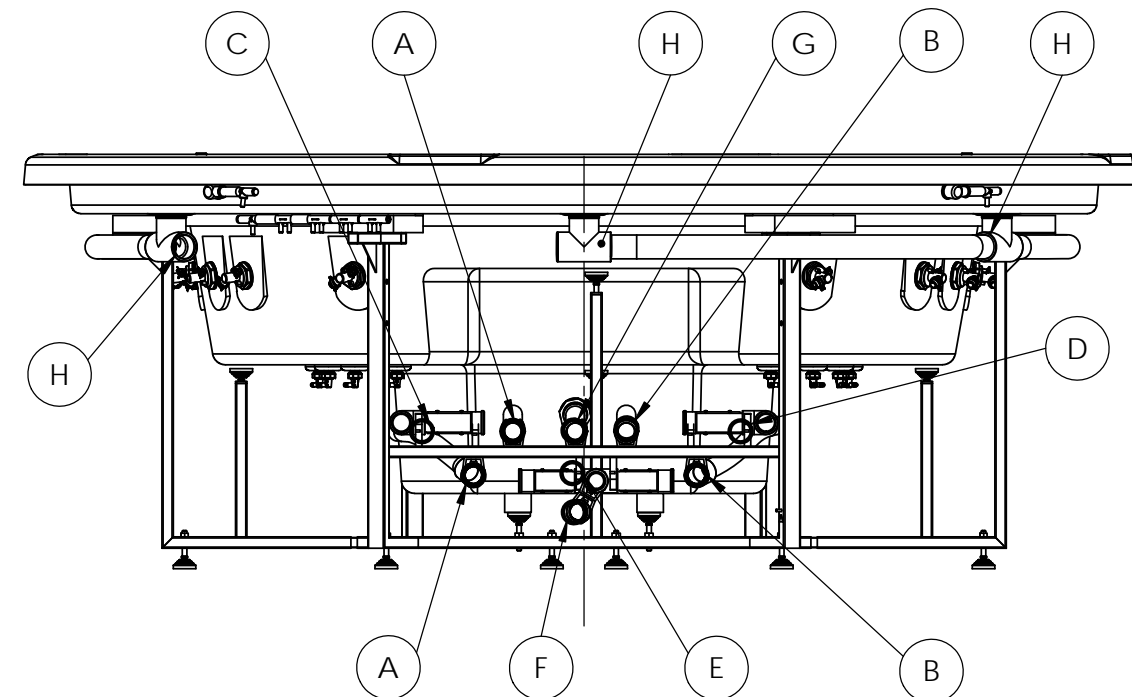
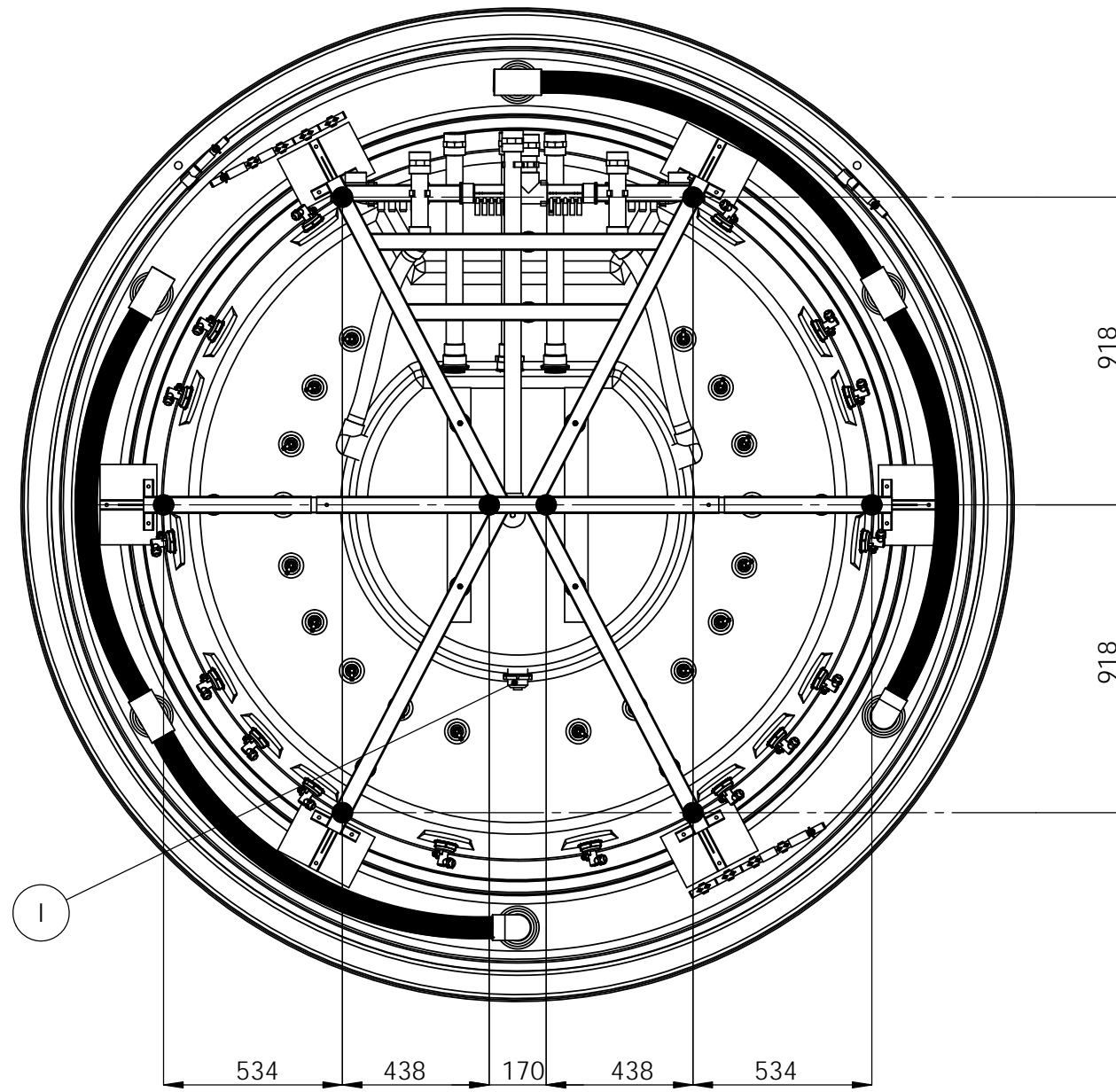
VALID FROM 15/01/2016

According to our policy of continuous improvement, dimensions, features or components of this product can be partially or completely changed without prior notice. It's Customer responsibility to verify that this is the last version of the drawing

Change No.	Date	Name	Modification
18	05/10/2016	R.Vallès	High dimension updated
17	28/01/2016	I.Pozo	Change light and drain
16	12/06/2014	I.Pozo	New spare template
15	26/05/2014	I.Pozo	New Templates
14	05/10/2016	X.Codina	New Templates

Remarks Dimensions in mm. General Tolerances +/- 10mm			COMMERCIAL		
Drawn	05/10/2016	R.Vallès		Part Number	Rev.
Checked	05/10/2016	V.Saiz		20141	18
Scale 1:20	General Tolerance DIN 7168 ISO 2768g				First Angle Projection
Sheet 1/3					

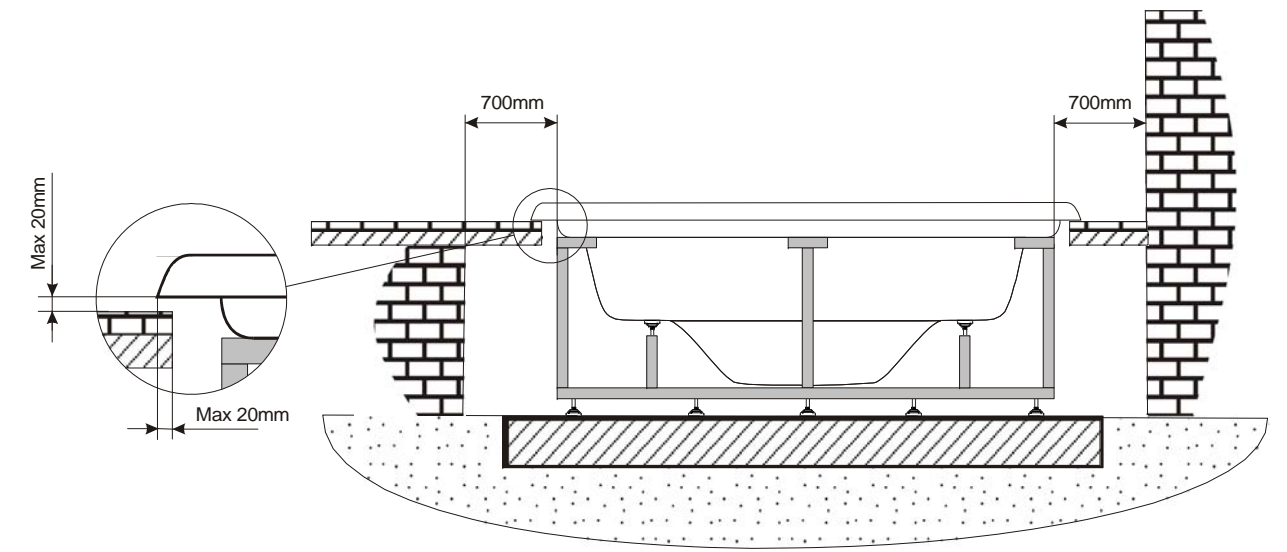
↑ ↑
HYDRAULIC CONNECTIONS ACCESS



A	Suction-Water Massage Pump 1	1x1,5"BSP FEMALE THREAD
B	Suction-Water Massage Pump 2	1x1,5"BSP FEMALE THREAD
C	Return-Water Massage Pump 1	1x1,5"BSP FEMALE THREAD
D	Return-Water Massage Pump 2	1x1,5"BSP FEMALE THREAD
E	Return-Air Massage	1x1,5"BSP FEMALE THREAD
F	Suction/Return-Filtration Pump Bottom Spa	1x1,5"BSP FEMALE THREAD
G	Return-Filtration Pump Inlets	1x1,5"BSP FEMALE THREAD
H	Overflow Drains	Ø 63 FEMALE SOCKET
I	Light	

VALID FROM 15/01/2016

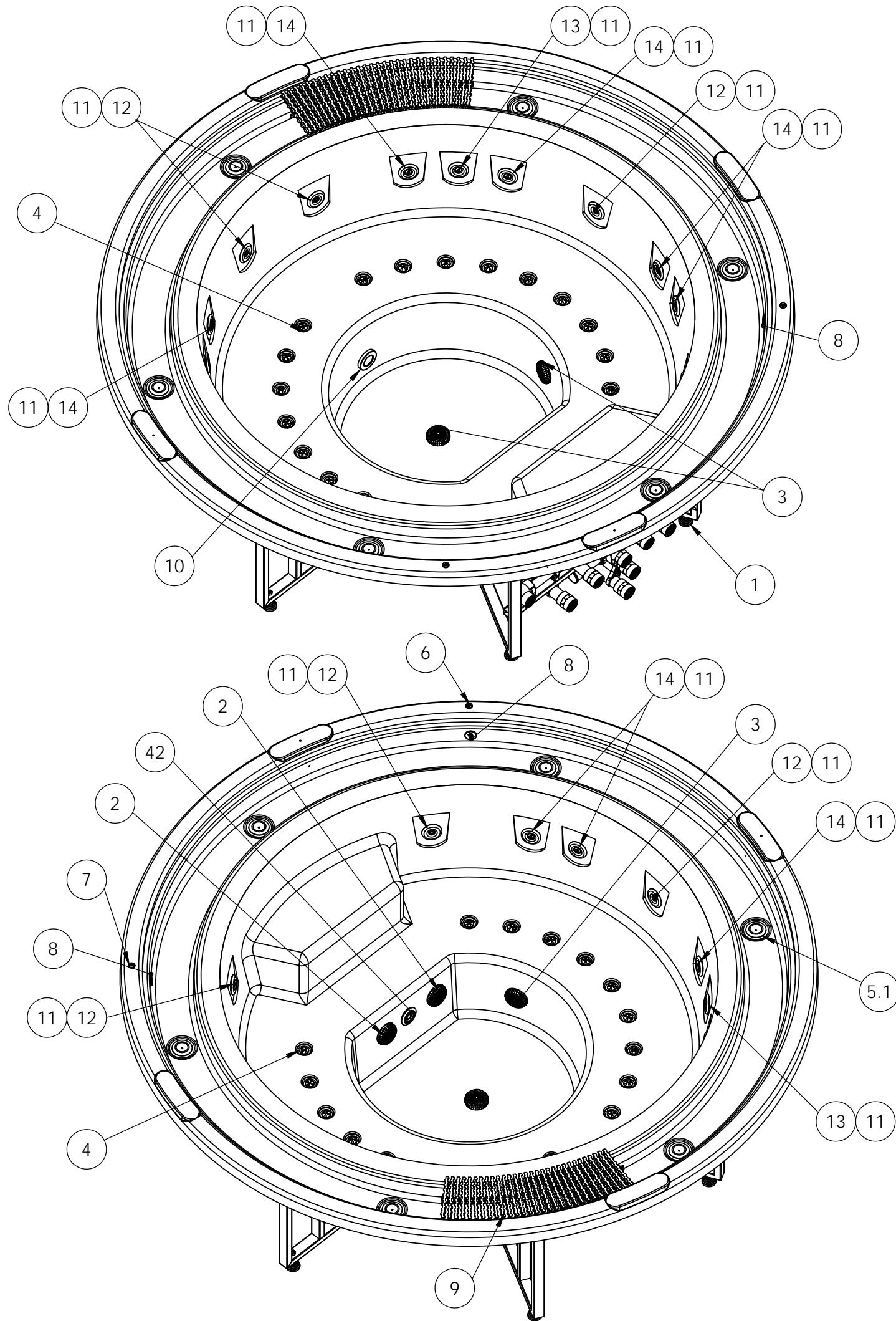
WARNING:
It's essential to keep a minimum clearance access of **700mm** all around.
Minimum depth of spa hole **1040 mm**.



According to our policy of continuous improvement, dimensions, features or components of this product can be partially or completely changed without prior notice.
It's Customer responsibility to verify that this is the last version of the drawing

18	05/10/2016	R.Vallès	High dimension updated
17	28/01/2016	I.Pozo	Change light and drain
16	12/06/2014	I.Pozo	New spare template
15	26/05/2014	I.Pozo	New Templates
14	05/10/2016	X.Codina	New Templates
Change No.	Date	Name	Modification

Remarks Dimensions in mm. General Tolerances +/- 10mm			COMMERCIAL			
Drawn	05/10/2016	R.Vallès		Part Number	20141	
Checked	05/10/2016	V.Saiz		Rev.		18
Scale	1:20					
Sheet	2/3					
Property of IBERSPA S.L. Avda. Pla d'Urgell 2-8 25200 Cervera, Spain. Don't use without permission. Keep this information confidential and use it solely for the permitted purpose.						



STAINLESS STEEL JETS + WHITE LIGHT			
Position Num.	Part Nº SPARE	Description SPARE	Quant.
1	303325R	SPA SUPPORT	18
2	RPOR0223	WHITE SPA DRAIN 2" ADAPTOR SOCKET D.50	2
3	RPOR0224	WHITE SPA DRAIN 2" ADAPTOR ELBOW 90 D.50	3
4	REMP0046	WHITE-STAINLESS STEEL AIR NOZZLE	18
5.1	REMP0055	PRESSURE NOZZLE 63 (GASKET 2 UNITS)	6
6	REMP0034	DIGITAL BUTTON IP68 ALUM. AIR	1
7	REMP0033	DIGITAL BUTTON IP68 ALUM. WATER	1
8	RPOR0003	GREY DRAIN SET - BODY+COVER+ASSEMBLY	2
9	REMP0035	CURVED GRATING WIDTH 245 mm	416
10	RCOM0071	HIGH INTENSITY WHITE LED SPOTLIGHTS + STAINLESS STEEL ESCUTCHEON SPOTLIGHT	1
11	RPOR0236	JET BODY SET RD 3"	16
12	RPOR0231	FRONTAL JET 3" STAINLESS STEEL DIRECTIONAL	6
13	RPOR0233	FRONTAL JET 3" STAINLESS STEEL TWIN ROTO	2
14	RPOR0232	FRONTAL JET 3" STAINLESS STEEL 1 JET ROTO	8
42	REMP0010	PRESSURE NOZZLE	1

WHITE JETS + WHITE LIGHT			
Position Num.	Part Nº SPARE	Description SPARE	Quant.
1	303325R	SPA SUPPORT	18
2	RPOR0223	WHITE SPA DRAIN 2" ADAPTOR SOCKET D.50	2
3	RPOR0224	WHITE SPA DRAIN 2" ADAPTOR ELBOW 90 D.50	3
4	REMP0029	KIT STORM AIR NOZZLE	18
5.1	REMP0055	PRESSURE NOZZLE 63 (GASKET 2 UNITS)	6
6	REMP0034	DIGITAL BUTTON IP68 ALUM. AIR	1
7	REMP0033	DIGITAL BUTTON IP68 ALUM. WATER	1
8	RPOR0003	GREY DRAIN SET - BODY+COVER+ASSEMBLY	2
9	REMP0035	CURVED GRATING WIDTH 245 mm	416
10	RCOM0070	HIGH INTENSITY WHITE LED SPOTLIGHTS + WHITE ESCUTCHEON SPOTLIGHT	1
11	RPOR0236	JET BODY SET RD 3"	16
12	REMP0058	FRONTAL JET DIRECCIONAL 3"	6
13	REMP0059	FRONTAL JET ROT 1 CHORRO 3"	8
14	REMP0060	FRONTAL JET ROT 2 CHORRO 3"	2
42	REMP0010	PRESSURE NOZZLE	1


STAINLESS STEEL JETS + COLOUR LIGHT			
Position Num.	Part Nº SPARE	Description SPARE	Quant.
1	303325R	SPA SUPPORT	18
2	RPOR0223	WHITE SPA DRAIN 2" ADAPTOR SOCKET D.50	2
3	RPOR0224	WHITE SPA DRAIN 2" ADAPTOR ELBOW 90 D.50	3
4	REMP0046	WHITE-STAINLESS STEEL AIR NOZZLE	18
5.1	REMP0055	PRESSURE NOZZLE 63 (GASKET 2 UNITS)	6
6	REMP0034	DIGITAL BUTTON IP68 ALUM. AIR	1
7	REMP0033	DIGITAL BUTTON IP68 ALUM. WATER	1
8	RPOR0003	GREY DRAIN SET - BODY+COVER+ASSEMBLY	2
9	REMP0035	CURVED GRATING WIDTH 245 mm	416
10A	RCOM0063	HIGH INTENSITY COLOURS LED SPOTLIGHTS + STEEL ESCUTCHEON SPOTLIGHT	1
11	RPOR0236	JET BODY SET RD 3"	16
12	RPOR0231	FRONTAL JET 3" STAINLESS STEEL DIRECTIONAL	6
13	RPOR0233	FRONTAL JET 3" STAINLESS STEEL TWIN ROTO	2
14	RPOR0232	FRONTAL JET 3" STAINLESS STEEL 1 JET ROTO	8
42	REMP0010	PRESSURE NOZZLE	1

WHITE JETS + COLOUR LIGHT			
Position Num.	Part Nº SPARE	Description SPARE	Quant.
1	303325R	SPA SUPPORT	18
2	RPOR0223	WHITE SPA DRAIN 2" ADAPTOR SOCKET D.50	2
3	RPOR0224	WHITE SPA DRAIN 2" ADAPTOR ELBOW 90 D.50	3
4	REMP0029	KIT STORM AIR NOZZLE	18
5.1	REMP0055	PRESSURE NOZZLE 63 (GASKET 2 UNITS)	6
6	REMP0034	DIGITAL BUTTON IP68 ALUM. AIR	1
7	REMP0033	DIGITAL BUTTON IP68 ALUM. WATER	1
8	RPOR0003	GREY DRAIN SET - BODY+COVER+ASSEMBLY	2
9	REMP0035	CURVED GRATING WIDTH 245 mm	416
10	RCOM0061	HIGH INTENSITY COLOURS LED SPOTLIGHTS + WITHE ESCUTCHEON SPOTLIGHT	1
11	RPOR0236	JET BODY SET RD 3"	16
12	REMP0058	FRONTAL JET DIRECCIONAL 3"	6
13	REMP0059	FRONTAL JET ROT 1 CHORRO 3"	8
14	REMP0060	FRONTAL JET ROT 2 CHORRO 3"	2
42	REMP0010	PRESSURE NOZZLE	1

VALID FROM 15/01/2016

According to our policy of continuous improvement, dimensions, features or components of this product can be partially or completely changed without prior notice. It's Customer responsibility to verify that this is the last version of the drawing

Change No.	Date	Name	Modification
18	05/10/2016	R.Vallès	High dimension updated
17	28/01/2016	I.Pozo	Change light and drain
16	12/06/2014	I.Pozo	New spare template
15	26/05/2014	I.Pozo	New Templates
14	05/10/2016	X.Codina	New Templates

Remarks			SPARE DRAWING		
Dimensions in mm. General Tolerances +/- 10mm			Part Number	Rev.	First Angle Projection
Drawn	05/10/2016	R.Vallès		20141	18
Checked	05/10/2016	V.Saiz			
Scale 1:20	General Tolerance DIN 7168 ISO 2768g				
Sheet 3/3	Property of IBERSPA S.L. Avda. Pla d'Urgell 2-8 25200 Cervera, Spain. Don't use without permission. Keep this information confidential and use it solely for the permitted purpose.				