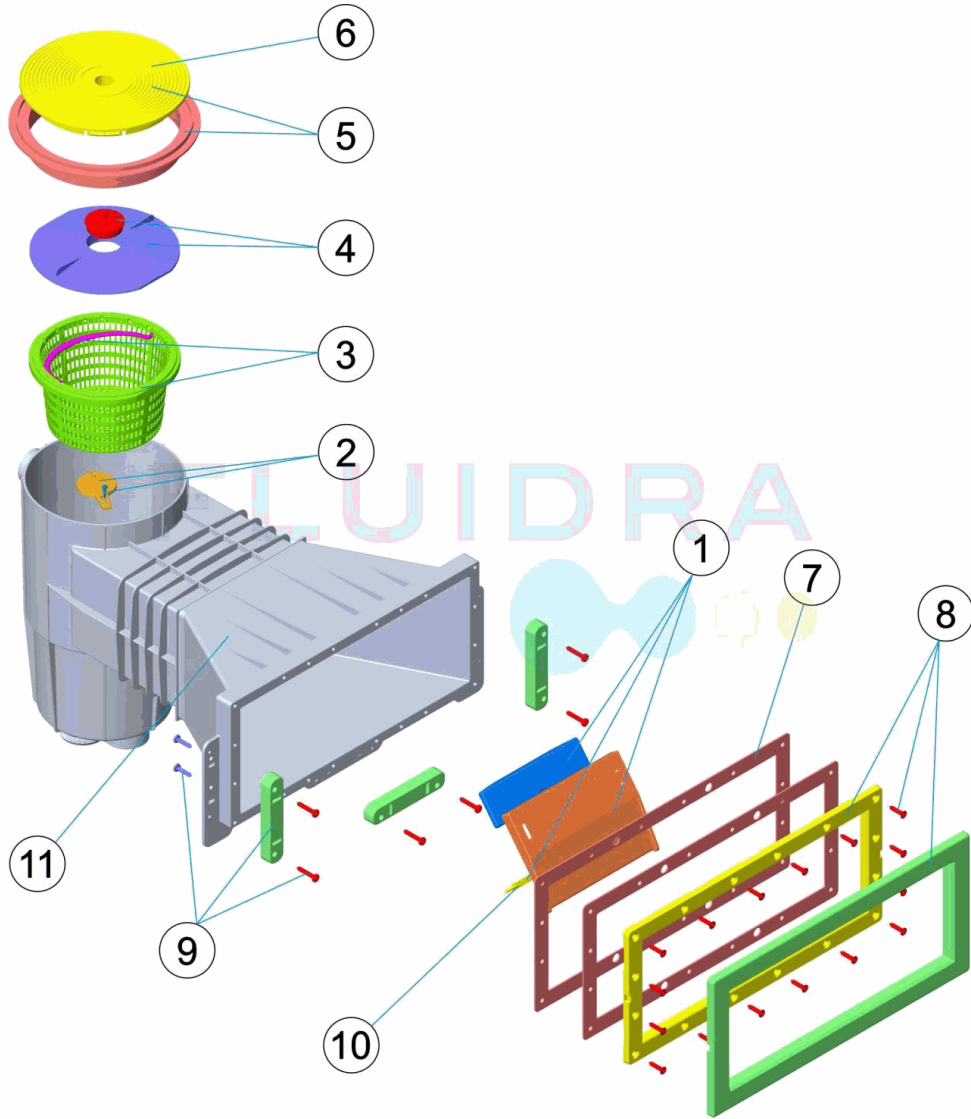


CODIGO **32377**

DESCRIPCION: **SKIMMER 15L P. PANELES B. ANCHA T. CIRCULAR**

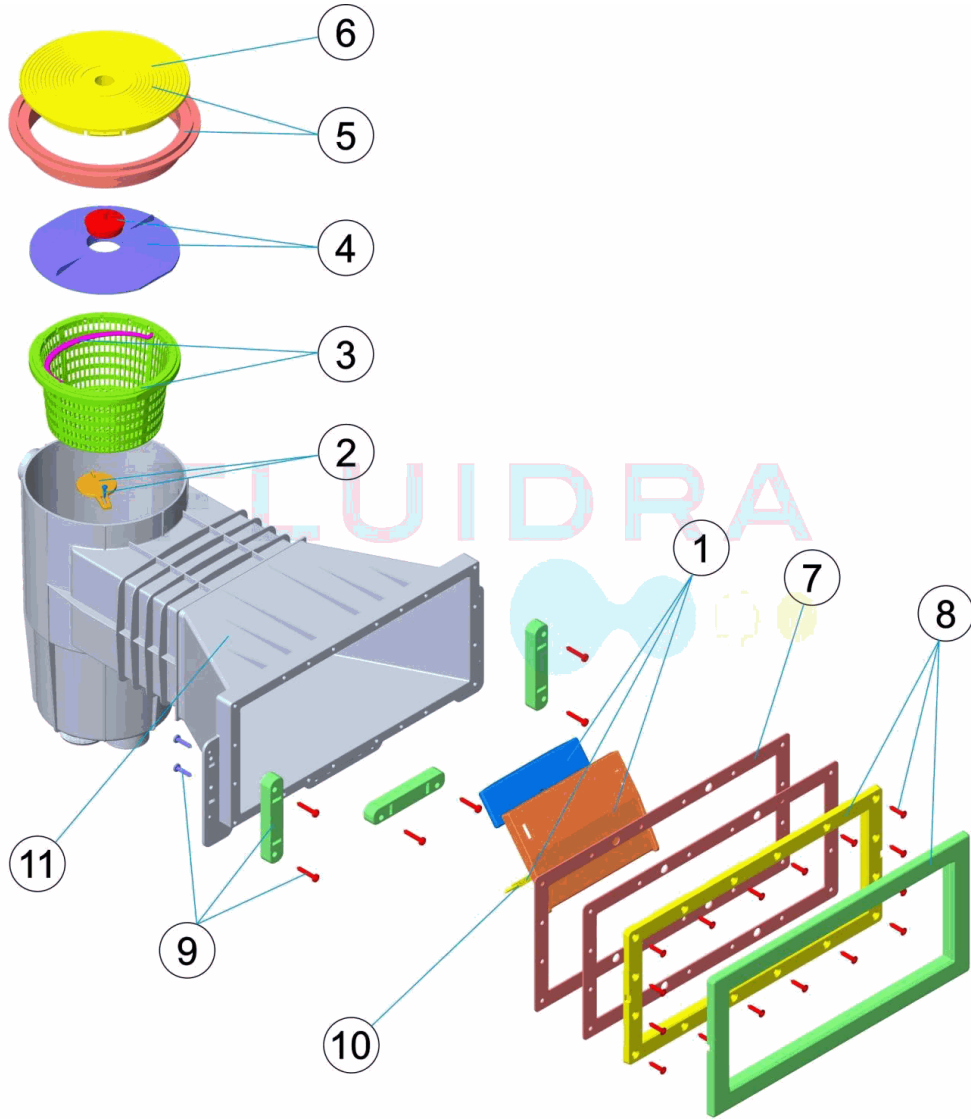


ESPAÑOL

| POS | CODIGO | DESCRIPCION | POS | CODIGO | DESCRIPCION |
|-----|------------|------------------------------|-----|------------|---------------------------|
| 1 | 4402010101 | COMPUERTA SKIMMER BISAGRA | 7 | 4402011711 | JUNTA SKIMMER GRANDE P.P. |
| 2 | 4402010102 | CLAPETA SKIMMER | 8 | 4402011712 | MARCO GRANDE SKIMMER P.P. |
| 3 | 4402010103 | CESTO SKIMMER | 9 | 4402011613 | GROSORES BOCA SKIMMER |
| 4 | 4402010104 | TAPA CESTO SKIMMER CON TAPON | 10 | 4402010110 | BISAGRA COMPUERTA |
| 5 | 4402010105 | TAPA Y ARO CIRCULAR SKIMMER | 11 | 28884R0001 | BOCA ANCHA PARA PANELES |
| 6 | 4402010108 | TAPA CIRCULAR SKIMMER | | | |

CODE 32377

DESCRIPTION: SKIMMER 15L P. PANNEAUX O. LARGE. C. CIRCULAIRE

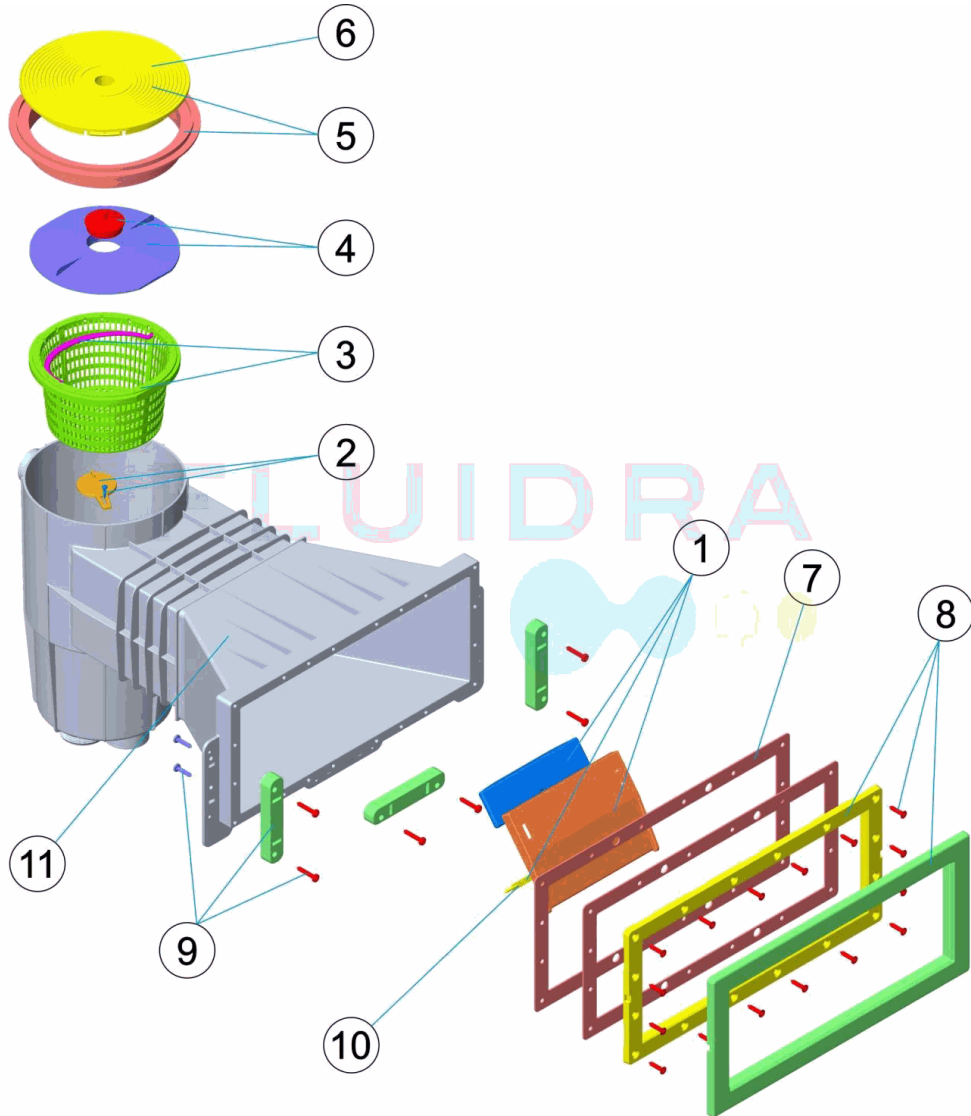


FRANCAIS

| POS | CODE | DESCRIPTION | POS | CODE | DESCRIPTION |
|-----|------------|---------------------------------------|-----|------------|--------------------------------|
| 1 | 4402010101 | VOLET ET CHARNIERE SKIMMER | 7 | 4402011711 | JOINT SKIM GRAND P.P. |
| 2 | 4402010102 | CLAPET SKIMMER | 8 | 4402011712 | GRAND CADRE SKIMMER P.P. |
| 3 | 4402010103 | PANIER SKIMMER | 9 | 4402011613 | PLAQUE FIXATION BOUCHE SKIMMER |
| 4 | 4402010104 | COUVERCLE PANIER SKIMMER AVEC BOUCHON | 10 | 4402010110 | CHARNIERE VOLET |
| 5 | 4402010105 | COUVERCLE ET CADRE ROND SKIMMER | 11 | 28884R0001 | BOUCHE LARGE POUR PANNEAUX |
| 6 | 4402010108 | COUVERCLE ROND SKIMMER | | | |

CODE **32377**

DESCRIPTION: **SKIMMER 15L PANEL POOL WIDE MOUTH ROUND COVER**

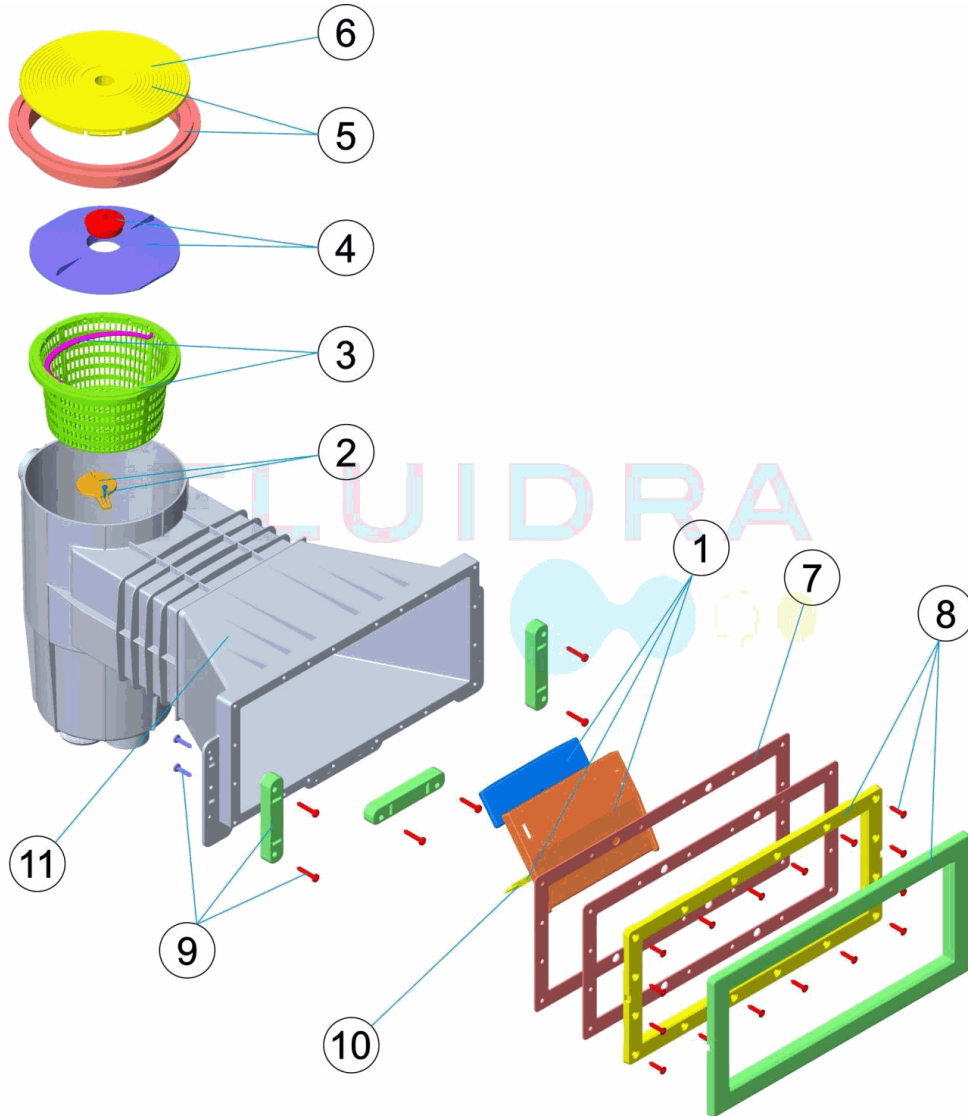


ENGLISH

| POS | CODE | DESCRIPTION | POS | CODE | DESCRIPTION |
|-----|------------|----------------------------|-----|------------|--------------------------|
| 1 | 4402010101 | FLAP RETAINING CLIP | 7 | 4402011711 | LARGE SKIMMER GASKETS |
| 2 | 4402010102 | KEYHOLE FLAP | 8 | 4402011712 | LARGE SKIMMER FRAME P.P. |
| 3 | 4402010103 | SKIMMER BASKET | 9 | 4402011613 | SPACERS |
| 4 | 4402010104 | VACUUM PLATE WITH PLUG | 10 | 4402010110 | HINGE FLAP |
| 5 | 4402010105 | CIRCULAR LID AND LID FRAME | 11 | 28884R0001 | WIDE THROAT FOR PANELS |
| 6 | 4402010108 | CIRCULAR SKIMMER LID | | | |

CODICE **32377**

DESCRIZIONE: **SKIMMER 15L P. PANNELLI B. LARGA TAPPO CIRCOLARE**

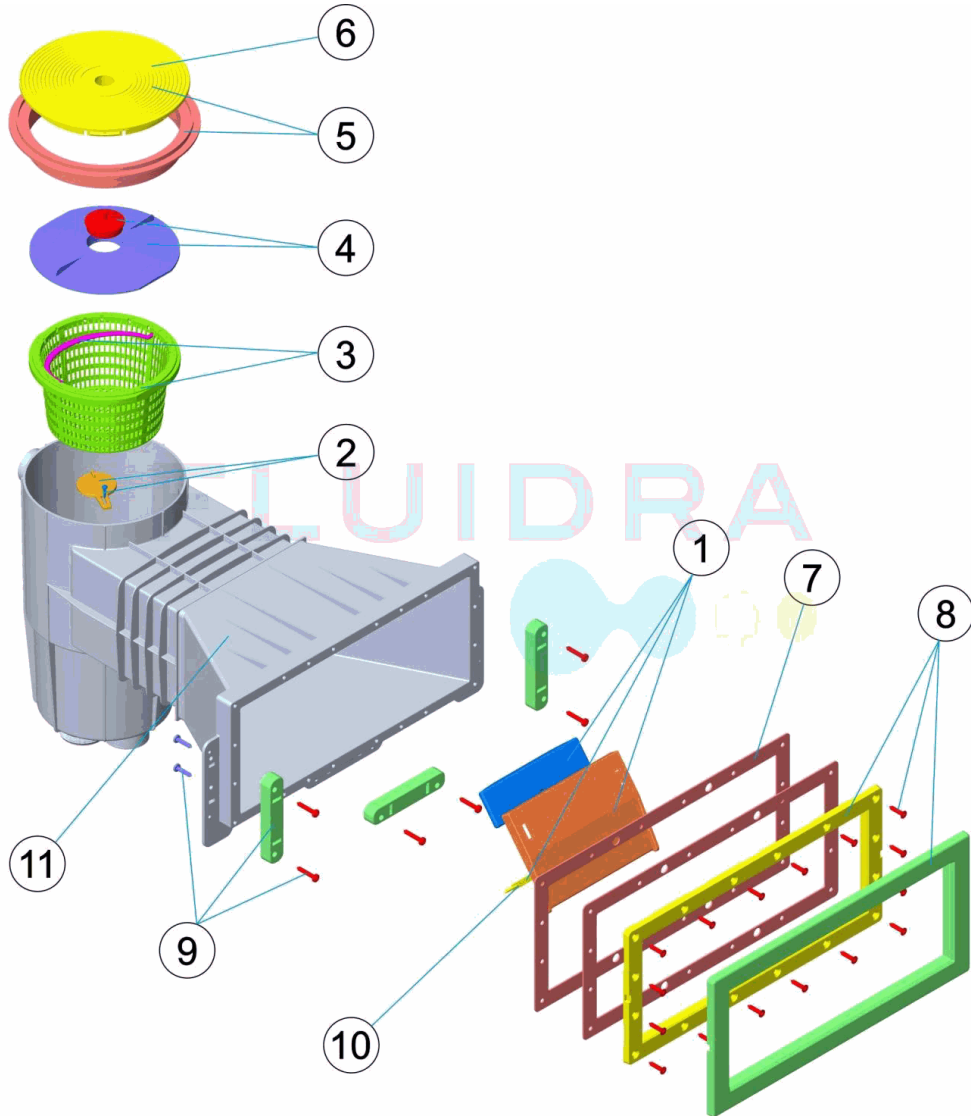


ITALIANO

| POS | CODICE | DESCRIZIONE | POS | CODICE | DESCRIZIONE |
|-----|------------|--------------------------------------|-----|------------|------------------------------|
| 1 | 4402010101 | BATTENTE SKIMMER CON PERNO | 7 | 4402011711 | GUARNIZIONE PER SKIMMER P.P. |
| 2 | 4402010102 | ALETTA PARZIALIZZATRICE SKIMMER | 8 | 4402011712 | FLANGIA SKIMMER P.P. |
| 3 | 4402010103 | CESTELLO SKIMMER | 9 | 4402011613 | SPESSORE BOCCA SKIMMER IML |
| 4 | 4402010104 | COPERCHIO CESTELLO SKIMMER CON TAPPO | 10 | 4402010110 | CERNIERE BATTENTE |
| 5 | 4402010105 | COPERCHIO E CORNICE TONDA SKIMMER | 11 | 28884R0001 | BOCCA AMPIA PANNELLI |
| 6 | 4402010108 | COPERCHIO TONDO SKIMMER | | | |

CODE **32377**

BESCHREIBUNG: **SKIMMER 15L PLATTENBECKEN EINLASS BREIT ABDECKUNG RUND**

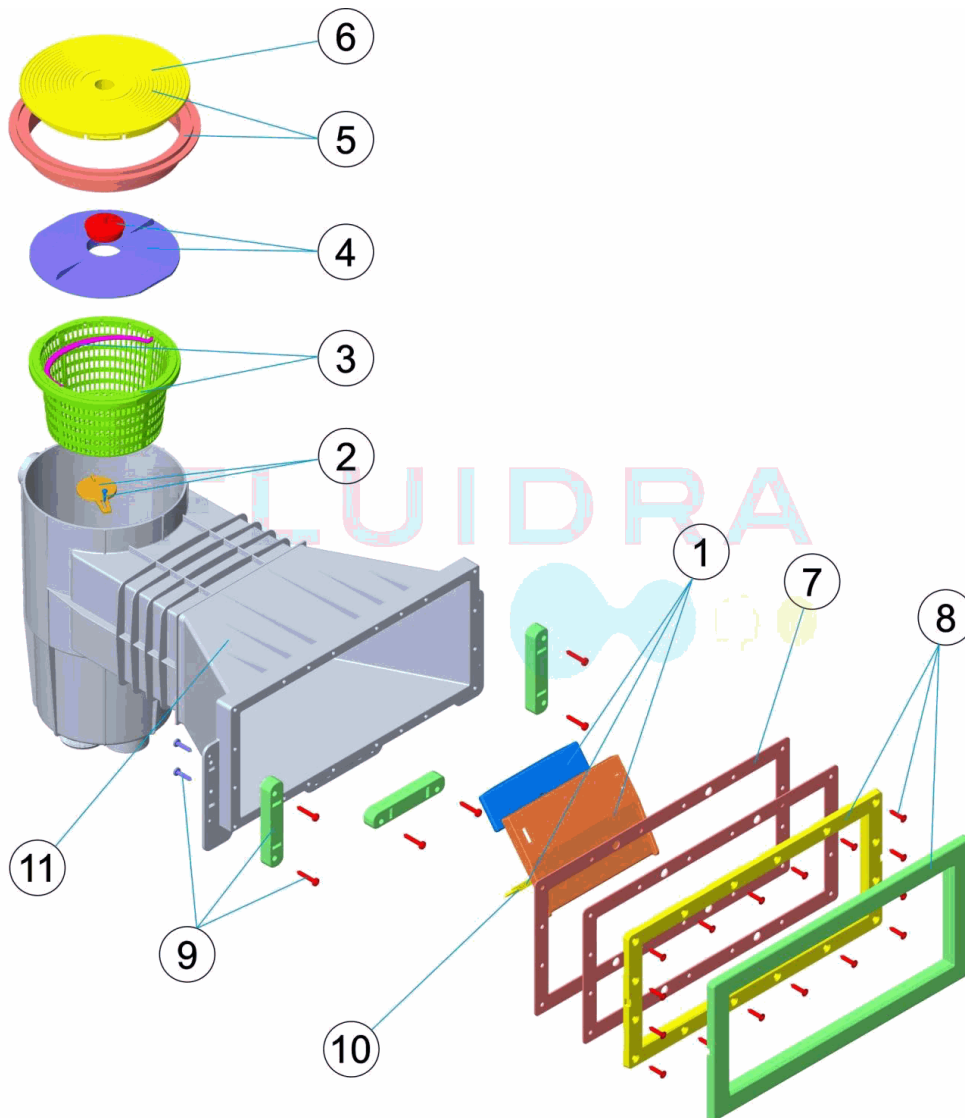


DEUTSCH

| POS | CODE | BESCHREIBUNG | POS | CODE | BESCHREIBUNG |
|-----|------------|---------------------------------|-----|------------|-------------------------------------|
| 1 | 4402010101 | SKIMMERKLAPPE SCHARNIER | 7 | 4402011711 | DICHTUNG SKIMMER GROSS FERTIGBECKEN |
| 2 | 4402010102 | SKIMMERKLAPPE | 8 | 4402011712 | GROSSER SKIMMERRAHMEN FERTIGBECKEN |
| 3 | 4402010103 | SKIMMERKORB | 9 | 4402011613 | ZWISCHENSTÜCKE SKIMMEREINLASS |
| 4 | 4402010104 | ABDECKUNG SKIMMKORB MIT STOPFEN | 10 | 4402010110 | SCHARNIER Klappe |
| 5 | 4402010105 | ABDECKUNG UND RING SKIMMER RUND | 11 | 28884R0001 | EINLASS BREIT FÜR PLATTEN |
| 6 | 4402010108 | ABDECKUNG RUND SKIMMER | | | |

CODIGO **32377**

DESCRIÇÃO: **SKIMMER 15 L P. PAINÉIS B. LARGA T. CIRCULAR**



PORTUGUES

| POS | CODIGO | DESCRIÇÃO | POS | CODIGO | DESCRIÇÃO |
|-----|------------|------------------------------|-----|------------|--------------------------------------|
| 1 | 4402010101 | COMPORTA SKIMMER BISAGRA | 7 | 4402011711 | JUNTA GRANDE SKIMMER P.P. |
| 2 | 4402010102 | CLAPETA SKIMMER | 8 | 4402011712 | CAIXILHO BOCA SKIMMER P.P. |
| 3 | 4402010103 | CESTO SKIMMER | 9 | 4402011613 | TACO DE ENCHIMENTO PARA BOCA SKIMMER |
| 4 | 4402010104 | TAMPA CESTO SKIMMER | 10 | 4402010110 | DOBRADIÇA COMPORTA |
| 5 | 4402010105 | TAMPA E ARO CIRCULAR SKIMMER | 11 | 28884R0001 | BOCA ANCHO PARA PAINÉIS |
| 6 | 4402010108 | TAMPA CIRCULAR SKIMMER | | | |