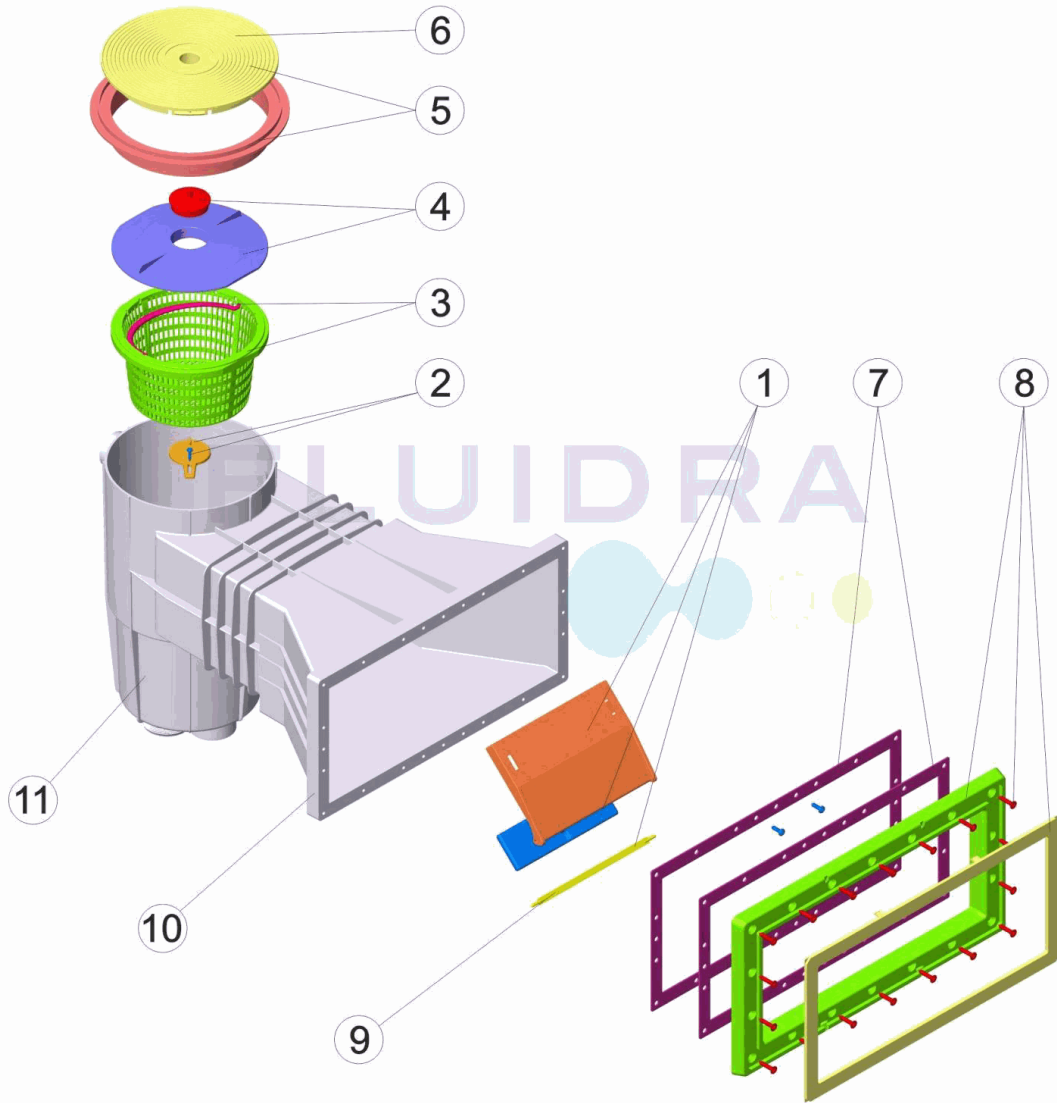


CODIGO **06468**

DESCRIPCION: **SKIMMER 15L PP B. ANCHA TOR. AUTOR. TAPA CIRCULAR**

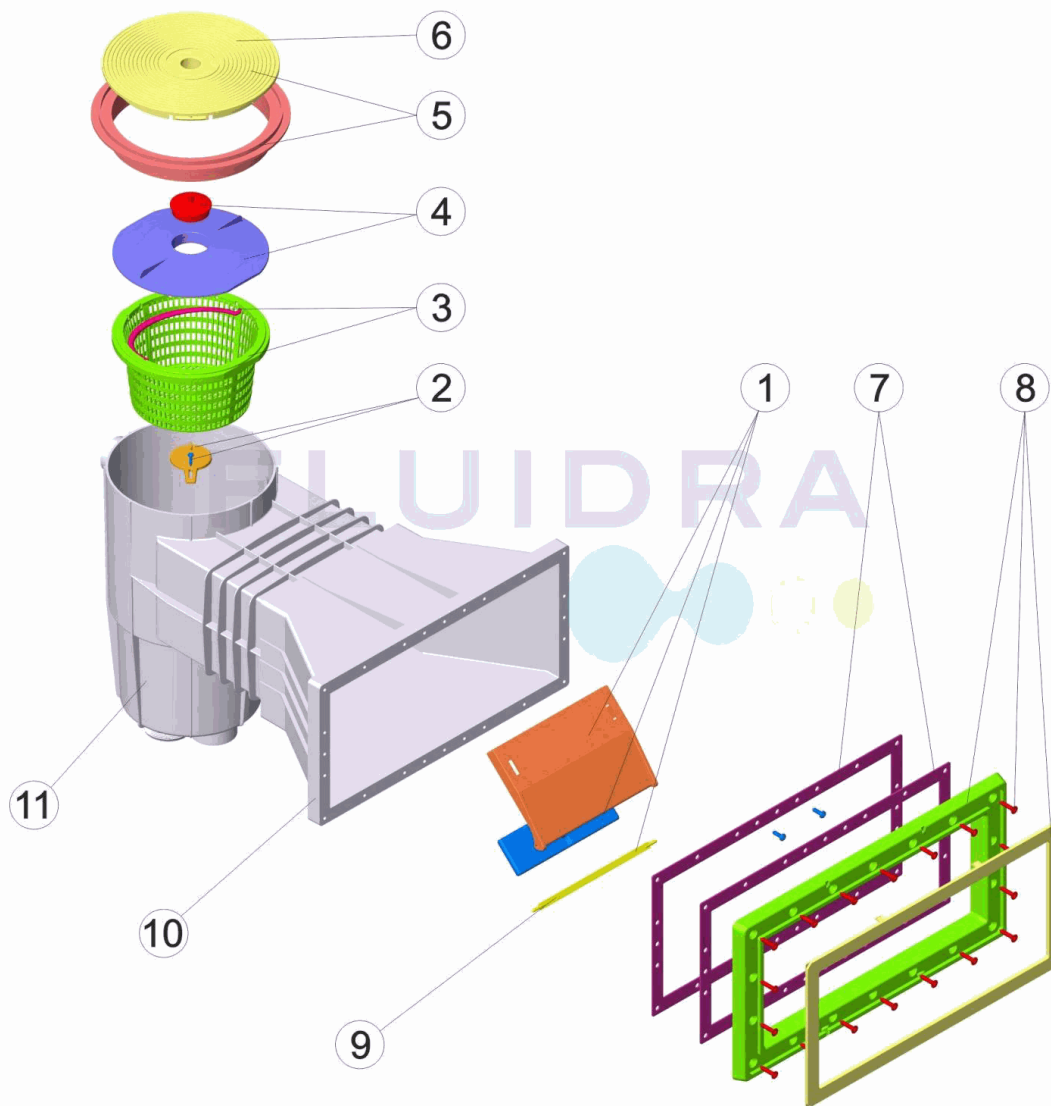


**ESPAÑOL**

POS	CODIGO	DESCRIPCION	POS	CODIGO	DESCRIPCION
1	4402010101	COMPUERTA SKIMMER BISAGRA	7	4402010407	JUNTA SKIMMER GRANDE PISC. PREF.
2	4402010102	CLAPETA SKIMMER	8	4402010412	MARCO BOCA SKIMMER PISC. PREF. (PARKER)
3	4402010103	CESTO SKIMMER	9	4402010110	BISAGRA COMPUERTA
4	4402010104	TAPA CESTO SKIMMER CON TAPON	10	01463R0201	BOCA AMPLIACION (PARKER)
5	4402010105	TAPA Y ARO CIRCULAR SKIMMER	11	00249R0011	CUERPO SKIMMER 15L 2004
6	4402010108	TAPA CIRCULAR SKIMMER			

CODE 06468

DESCRIPTION: SKIMMER 15L PP O. LARGE VIS. AUTOT. COUVERCLE CIRCULAIRE

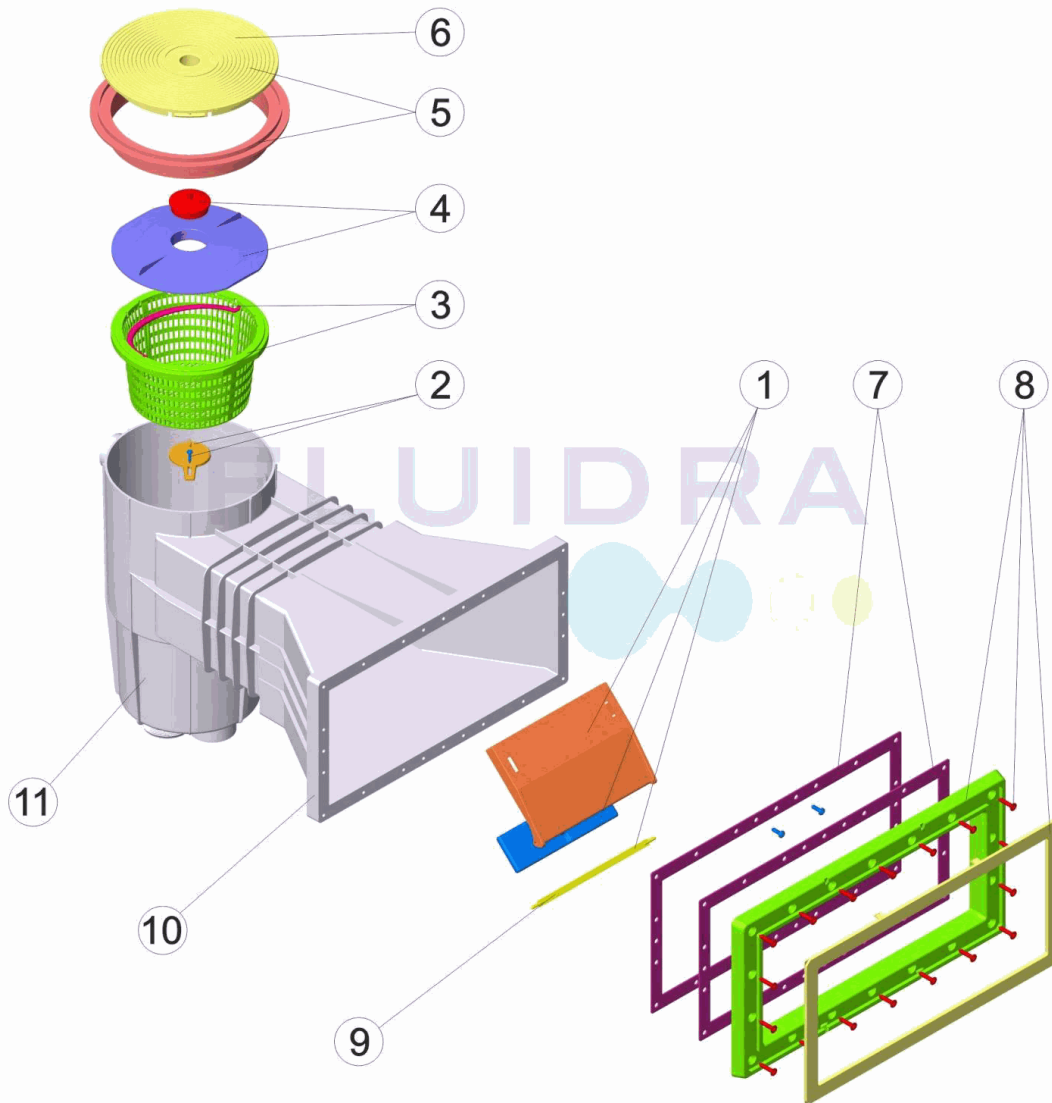


FRANCAIS

POS	CODE	DESCRIPTION	POS	CODE	DESCRIPTION
1	4402010101	VOLET ET CHARNIERE SKIMMER	7	4402010407	JOINT SKIM GRAND MOD PISCINE LINER
2	4402010102	CLAPET SKIMMER	8	4402010412	BRIDE ET CACHE VIS KIT LINER (PARKER)
3	4402010103	PANIER SKIMMER	9	4402010110	CHARNIERE VOLET
4	4402010104	COUVERCLE PANIER SKIMMER AVEC BOUCHON	10	01463R0201	MEURTRIERE
5	4402010105	COUVERCLE ET CADRE ROND SKIMMER	11	00249R0011	CORPS DU SKIMMER 15L
6	4402010108	COUVERCLE ROND SKIMMER			

CODE **06468**

DESCRIPTION: **SKIMMER 15L PP WIDE MOUTH THREAD-FORMING SCREW ROUND COVER**

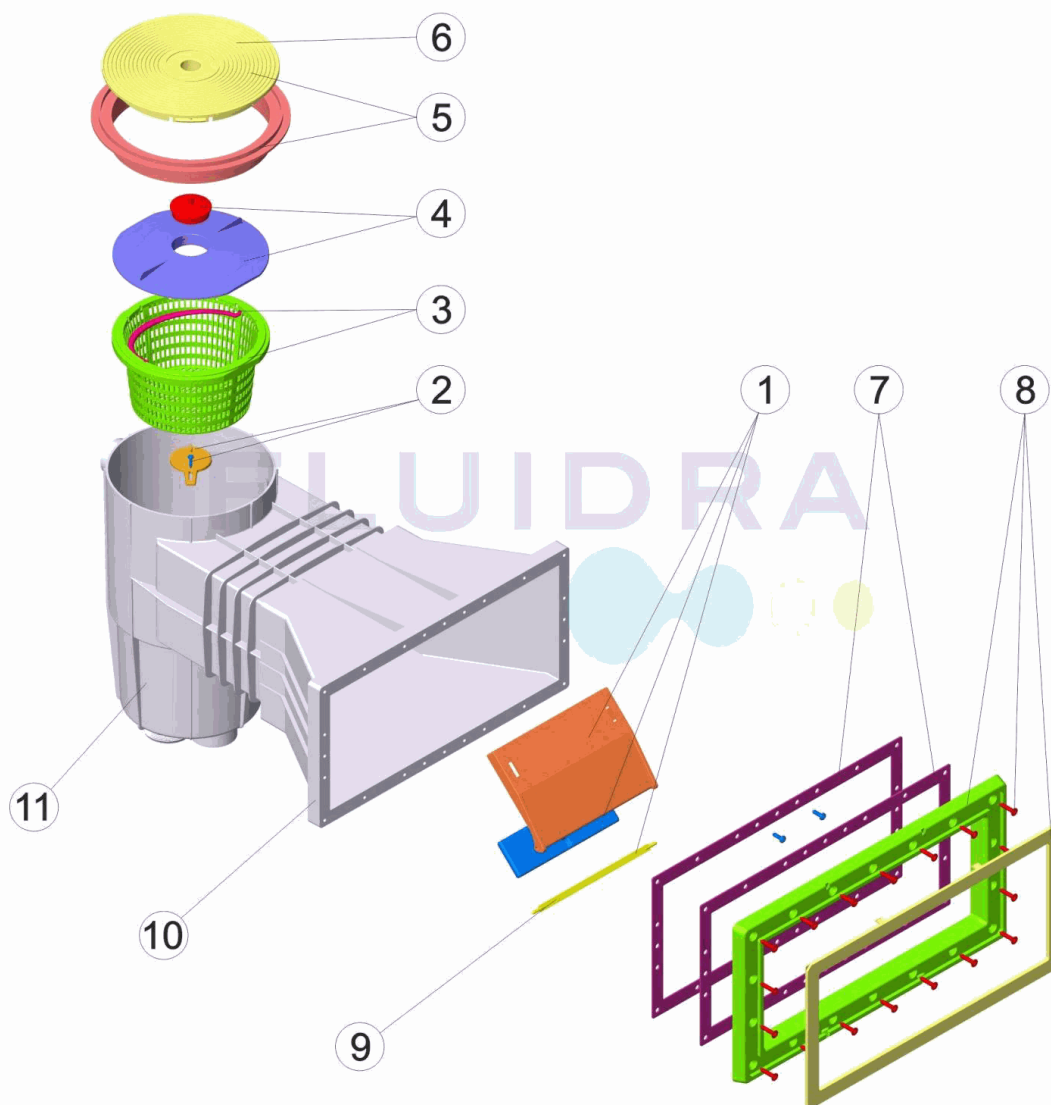


**ENGLISH**

POS	CODE	DESCRIPTION	POS	CODE	DESCRIPTION
1	4402010101	FLAP RETAINING CLIP	7	4402010407	LARGE SKIMMER GASKETS FOR LINER
2	4402010102	KEYHOLE FLAP	8	4402010412	SKIMMER FRAME FOR LINER (PARKER)
3	4402010103	SKIMMER BASKET	9	4402010110	HINGE FLAP
4	4402010104	VACUUM PLATE WITH PLUG	10	01463R0201	WIDE THROAT (PARKER)
5	4402010105	CIRCULAR LID AND LID FRAME	11	00249R0011	SKIMMER BODY
6	4402010108	CIRCULAR SKIMMER LID			

CODICE **06468**

DESCRIZIONE: **SKIMMER 15L PP B. LARGA TOR. AUTOFIL. TAPPO CIRCOLARE**

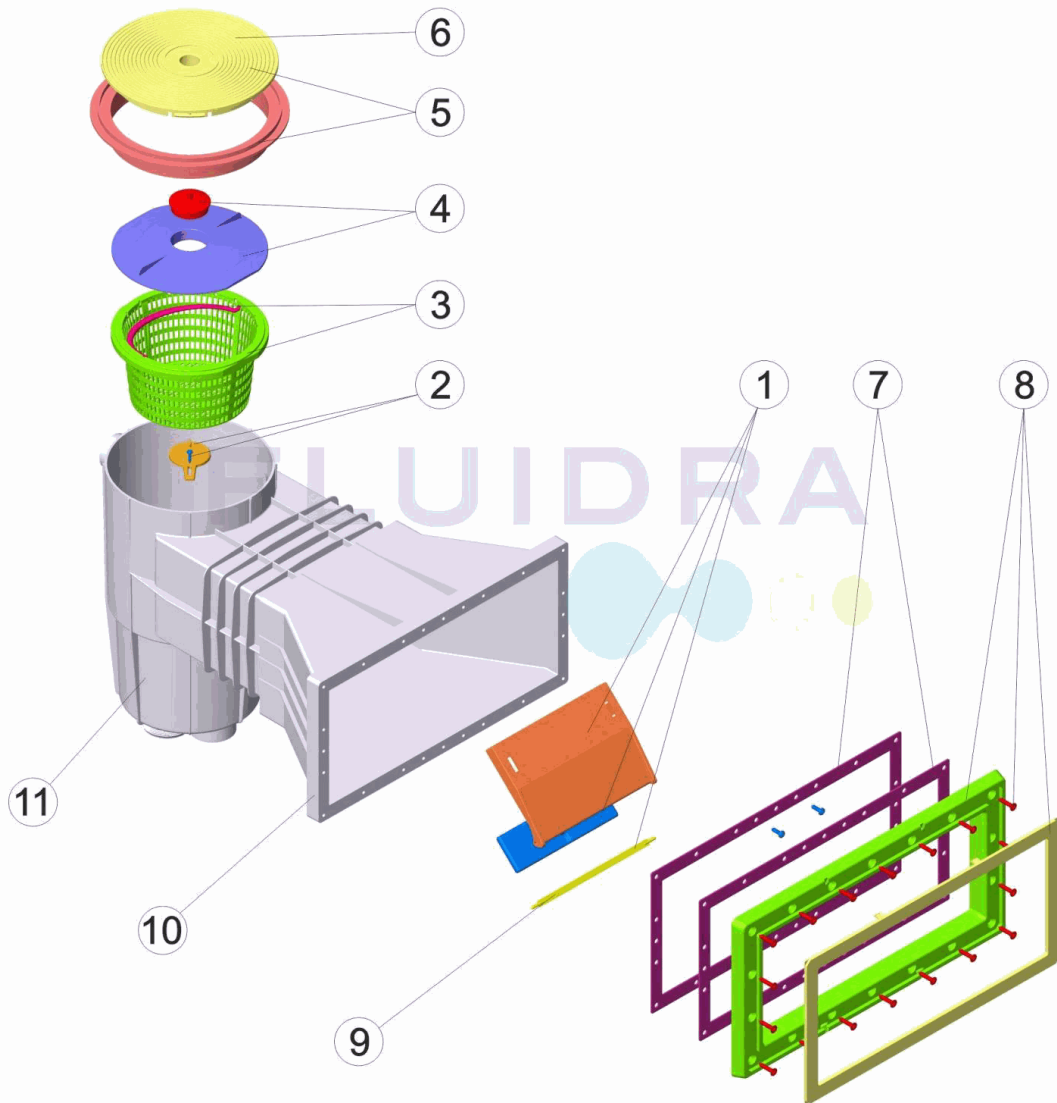


**ITALIANO**

POS	CODICE	DESCRIZIONE	POS	CODICE	DESCRIZIONE
1	4402010101	BATTENTE SKIMMER CON PERNO	7	4402010407	GUARNIZIONE PER SKIMMER BOCCA A V PER P.F
2	4402010102	ALETTA PARZIALIZZATRICE SKIMMER	8	4402010412	FLANGIA BOCCA SKIMMER PER PISCINA IN C.A. (F
3	4402010103	CESTELLO SKIMMER	9	4402010110	CERNIERE BATTENTE
4	4402010104	COPERCHIO CESTELLO SKIMMER CON TAPPO	10	01463R0201	BOCCA LARGA (PARKER)
5	4402010105	COPERCHIO E CORNICE TONDA SKIMMER	11	00249R0011	CORPO SKIMMER 15 L
6	4402010108	COPERCHIO TONDO SKIMMER			

CODE **06468**

BESCHREIBUNG: **SKIMMER 15L PP EINLASS BREIT SCHRAUBE SELBSTBOHREND ABDECKUN**

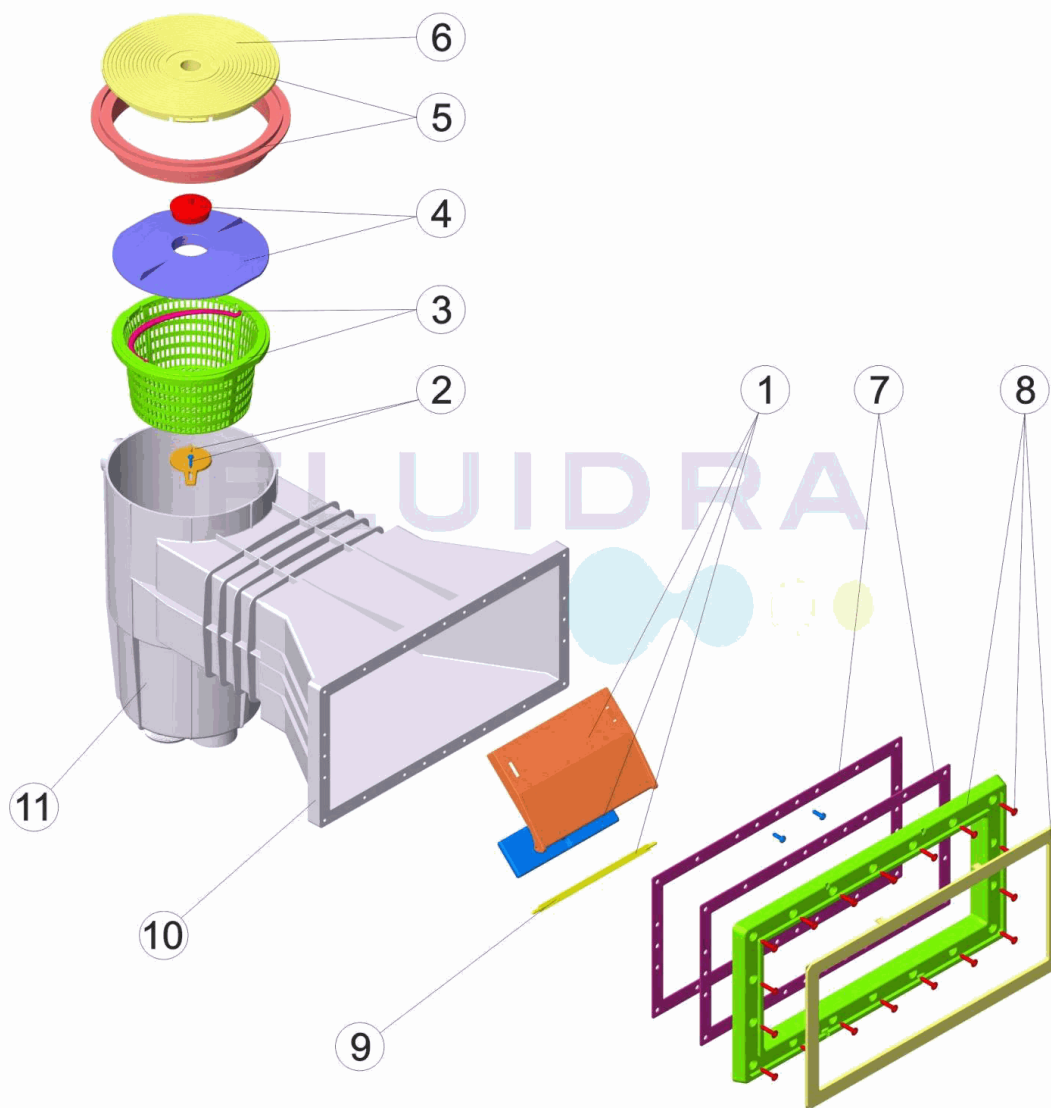


**DEUTSCH**

POS	CODE	BESCHREIBUNG	POS	CODE	BESCHREIBUNG
1	4402010101	SKIMMERKLAPPE SCHARNIER	7	4402010407	DICHTUNG SKIMMER GROSS FERTIGBECKEN
2	4402010102	SKIMMERKLAPPE	8	4402010412	RAHMEN SKIMMEREINLASS FERTIGBECKEN (PAR
3	4402010103	SKIMMERKORB	9	4402010110	SCHARNIER Klappe
4	4402010104	ABDECKUNG SKIMMKORB MIT STOPFEN	10	01463R0201	EINLASS ERWEITERT
5	4402010105	ABDECKUNG UND RING SKIMMER RUND	11	00249R0011	GEHÄUSE SKIMMER 15 L 2004
6	4402010108	ABDECKUNG RUND SKIMMER			

CODIGO **06468**

DESCRIÇÃO: **SKIMMER 15 L PP B. LARGA TOR. AUTOR. TAMPA CIRCULAR**



**PORTUGUES**

POS	CODIGO	DESCRIÇÃO	POS	CODIGO	DESCRIÇÃO
1	4402010101	COMPORTA SKIMMER BISAGRA	7	4402010407	JUNTA GRANDE DE SKIMMER
2	4402010102	CLAPETA SKIMMER	8	4402010412	CAIXILHO BOCA SKIMMER (PARKER)
3	4402010103	CESTO SKIMMER	9	4402010110	DOBRADIÇA COMPORTA
4	4402010104	TAMPA CESTO SKIMMER	10	01463R0201	BOCA DE AMPLIAÇÃO (PARKER)
5	4402010105	TAMPA E ARO CIRCULAR SKIMMER	11	00249R0011	SKIMMER 15L 2004
6	4402010108	TAMPA CIRCULAR SKIMMER			