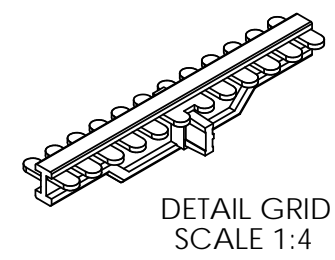
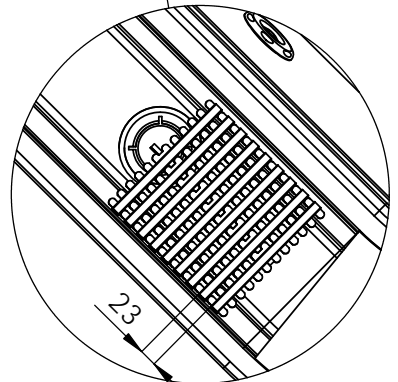
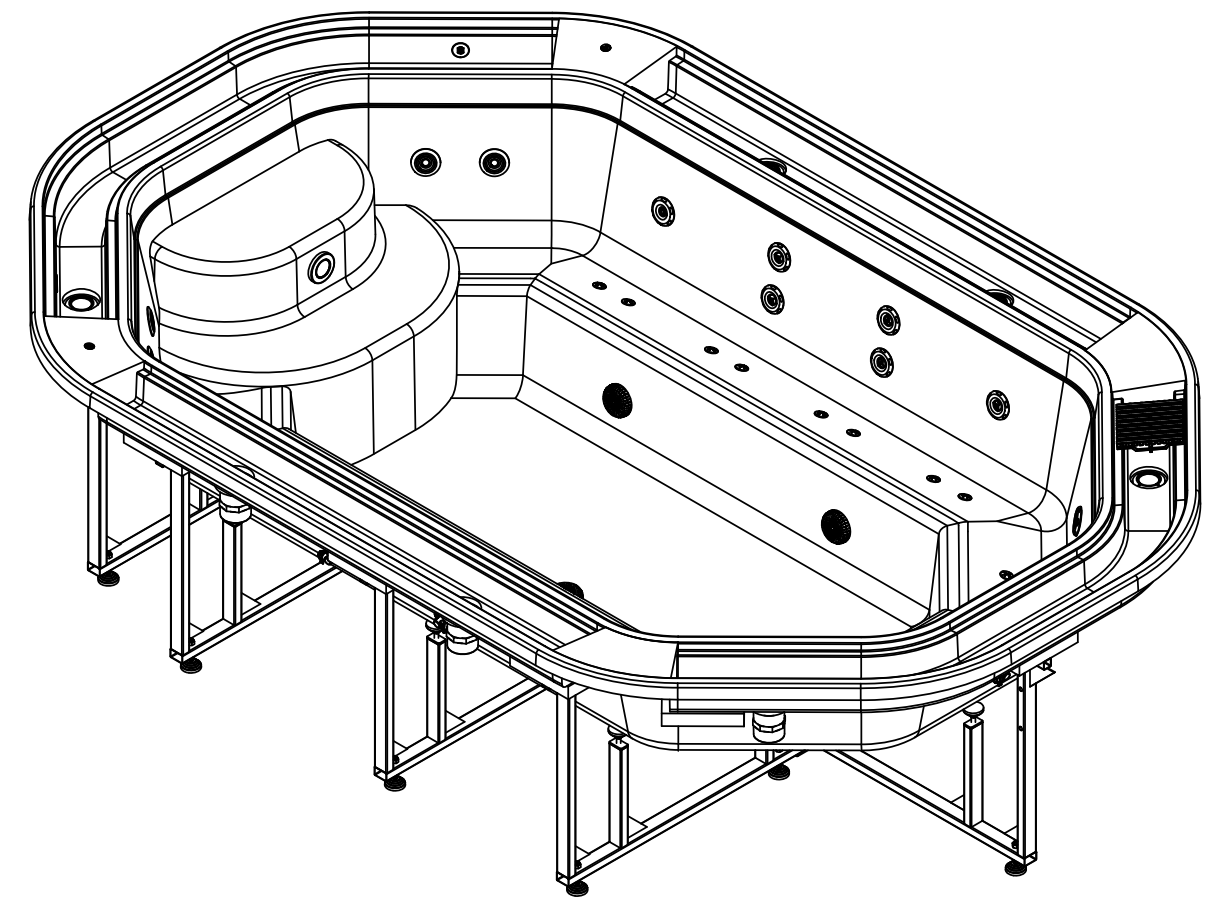
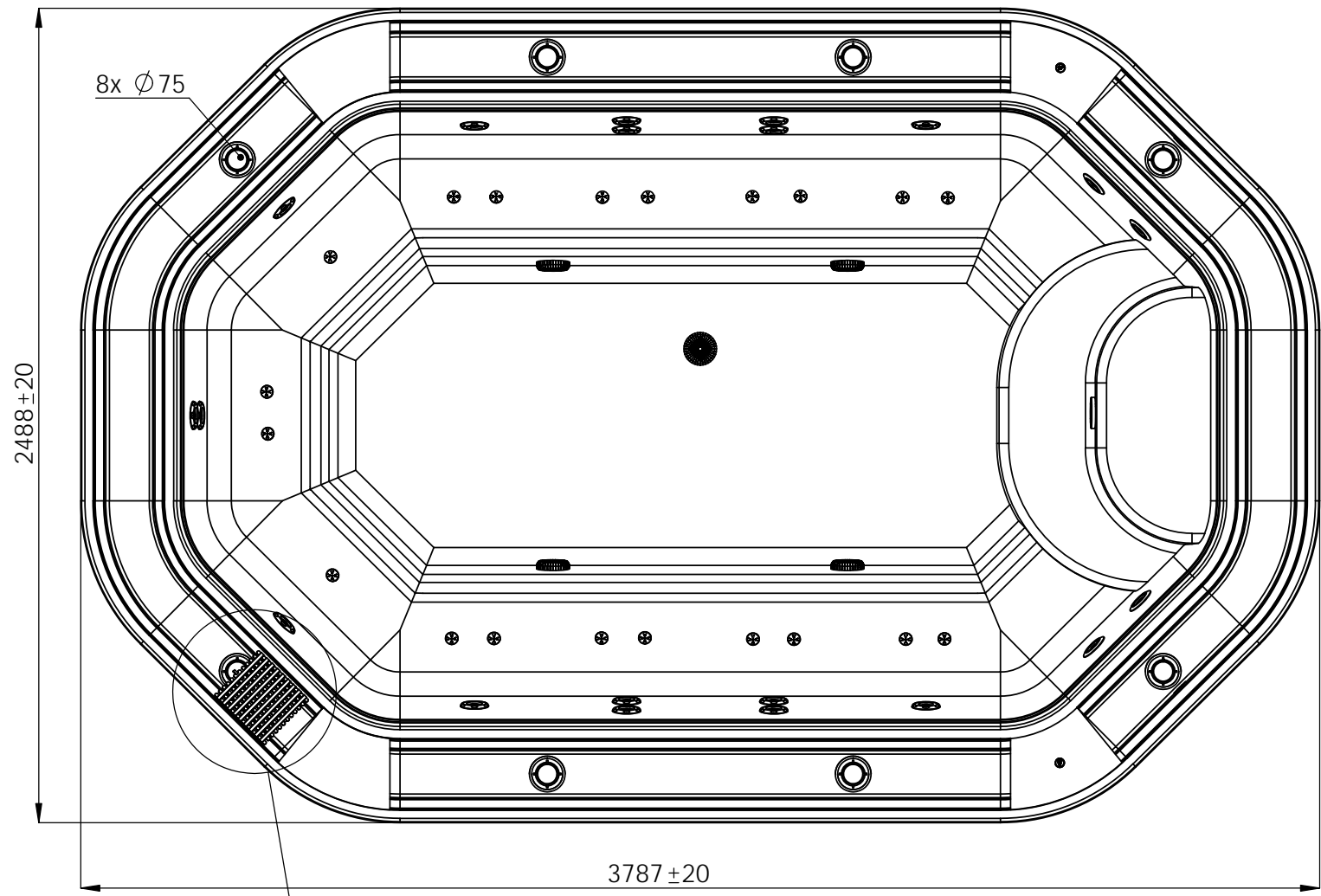
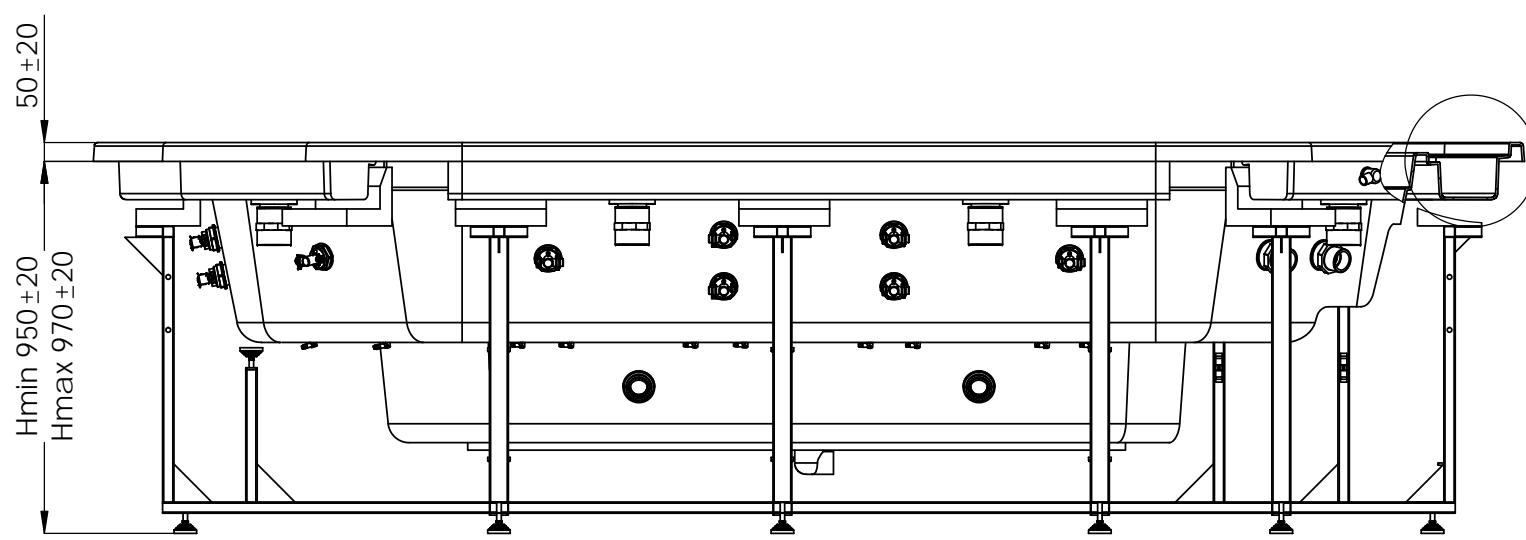


General specifications	
Spa weight (dry)	373 Kg
Spa weight (filled)	2863 Kg
Package dimension	3970x2250x2200mm
Package weight	595 Kg



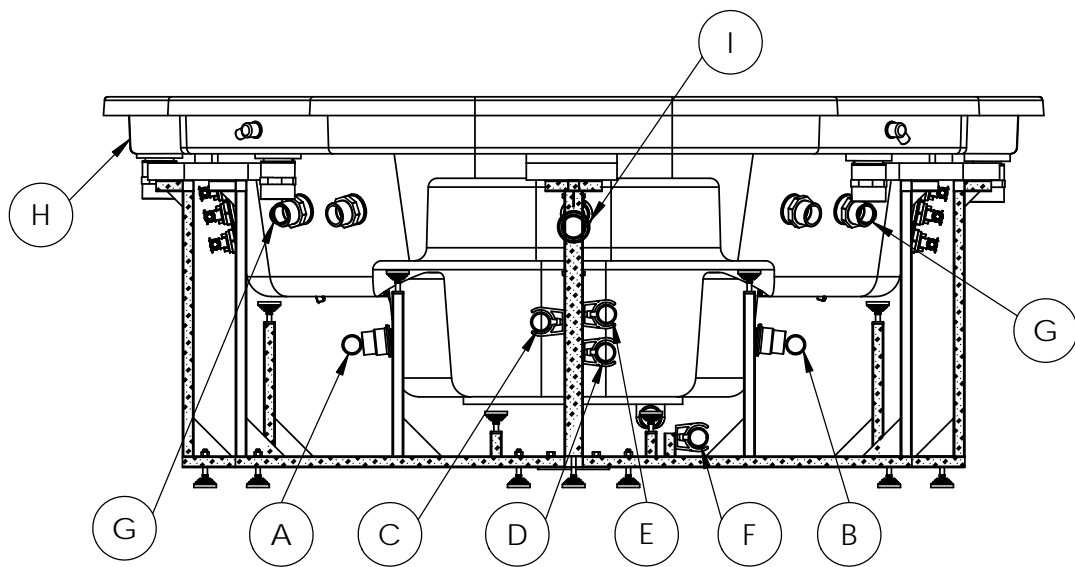
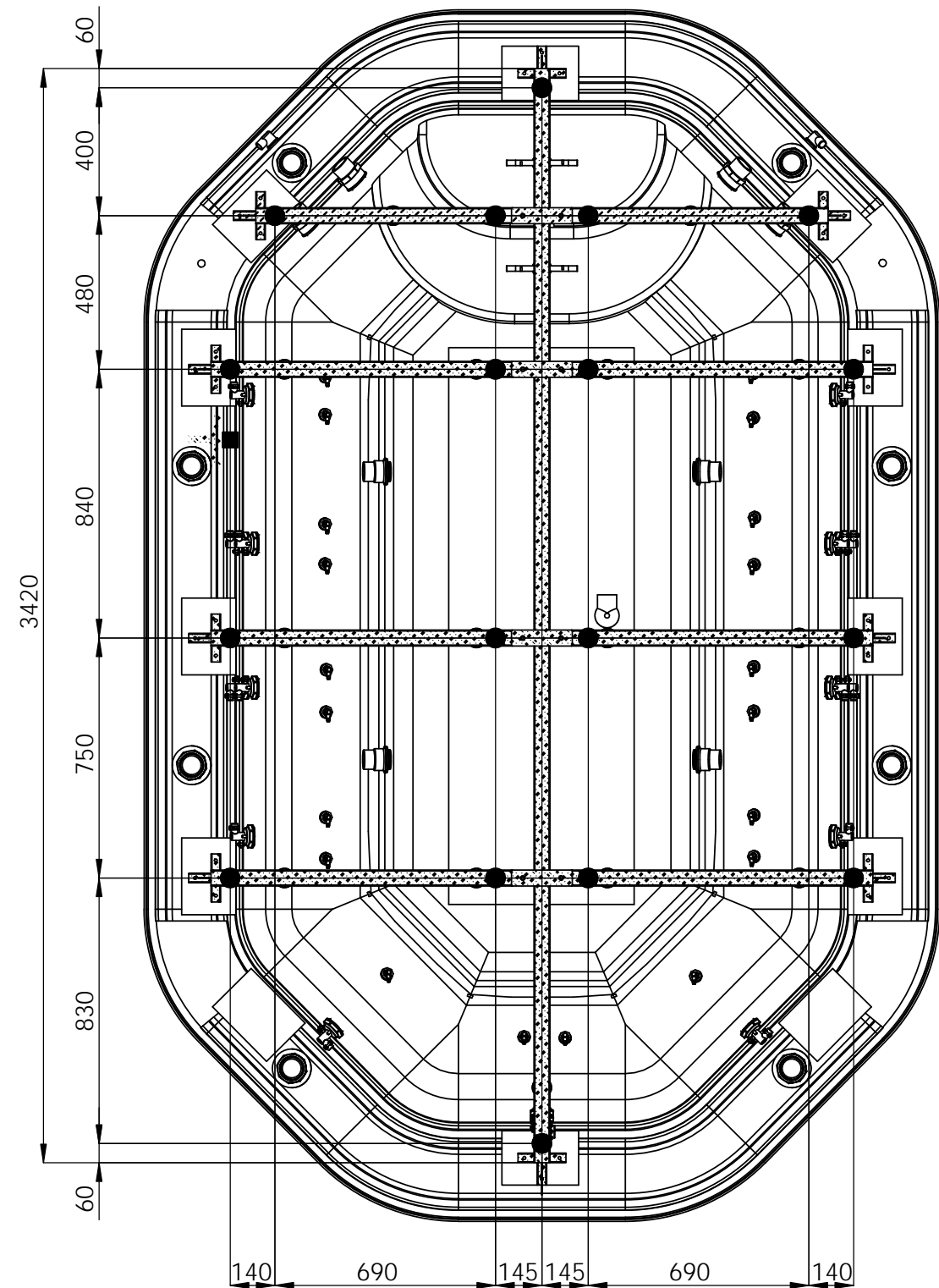
VALID FROM 15/01/2016

According to our policy of continuous improvement, dimensions, features or components of this product can be partially or completely changed without prior notice. It's Customer responsibility to verify that this is the last version of the drawing

Change No.	Date	Name	Modification
11	17/02/2016	I.Pozo	Change light and drain
10	16/12/14	I.Pozo	Change tolerance spa, change connections and dimension support
09	12/06/14	I.Pozo	New spare template
08	26/05/14	I.Pozo	New Templates
07	18/09/13	X.Codina	New Templates

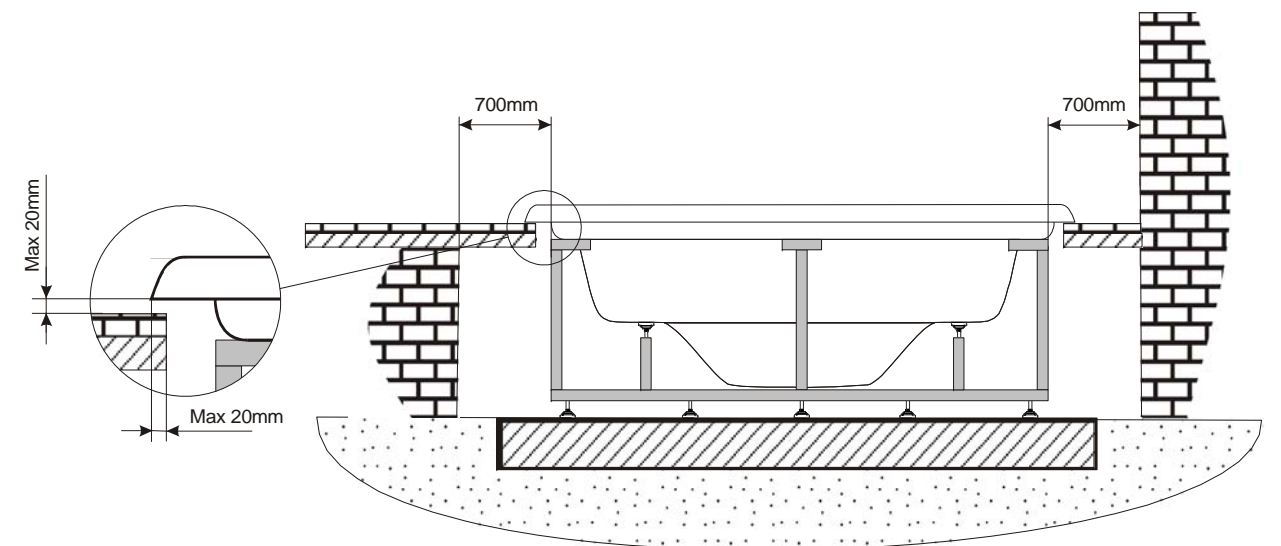
Remarks Dimensions in mm. General Tolerances +/- 10mm			COMMERCIAL		
Drawn		I.Nicolas	Part Number <b>26440</b> <b>43744</b>	Rev. <b>11</b>	First Angle Projection 
Checked					
Scale 1:20	General Tolerance DIN 7168 ISO 2768g				
Sheet 1/3					



		43744	26440
A	Suction-Water Massage Pump 1	2"BSP FEMALE THREAD	Ø 63mm FEMALE SOCKET
B	Suction-Water Massage Pump 2	2"BSP FEMALE THREAD	Ø 63mm FEMALE SOCKET
C	Return-Water Massage Pump 1	2"BSP FEMALE THREAD	Ø 63mm FEMALE SOCKET
D	Return-Water Massage Pump 2	2"BSP FEMALE THREAD	Ø 63mm FEMALE SOCKET
E	Return-Air Massage	2"BSP FEMALE THREAD	Ø 63mm FEMALE SOCKET
F	Suction/Return-Filtration Pump Bottom Spa	2"BSP FEMALE THREAD	Ø 63mm FEMALE SOCKET
G	Return-Filtration Pump Inlets (2x)	2"BSP FEMALE THREAD	Ø 63mm FEMALE SOCKET
H	Overflow Drains	2.5"BSP FEMALE THREAD	Ø 75mm FEMALE SOCKET
I	Light (Optional)	Optional	Optional

VALID FROM 15/01/2016

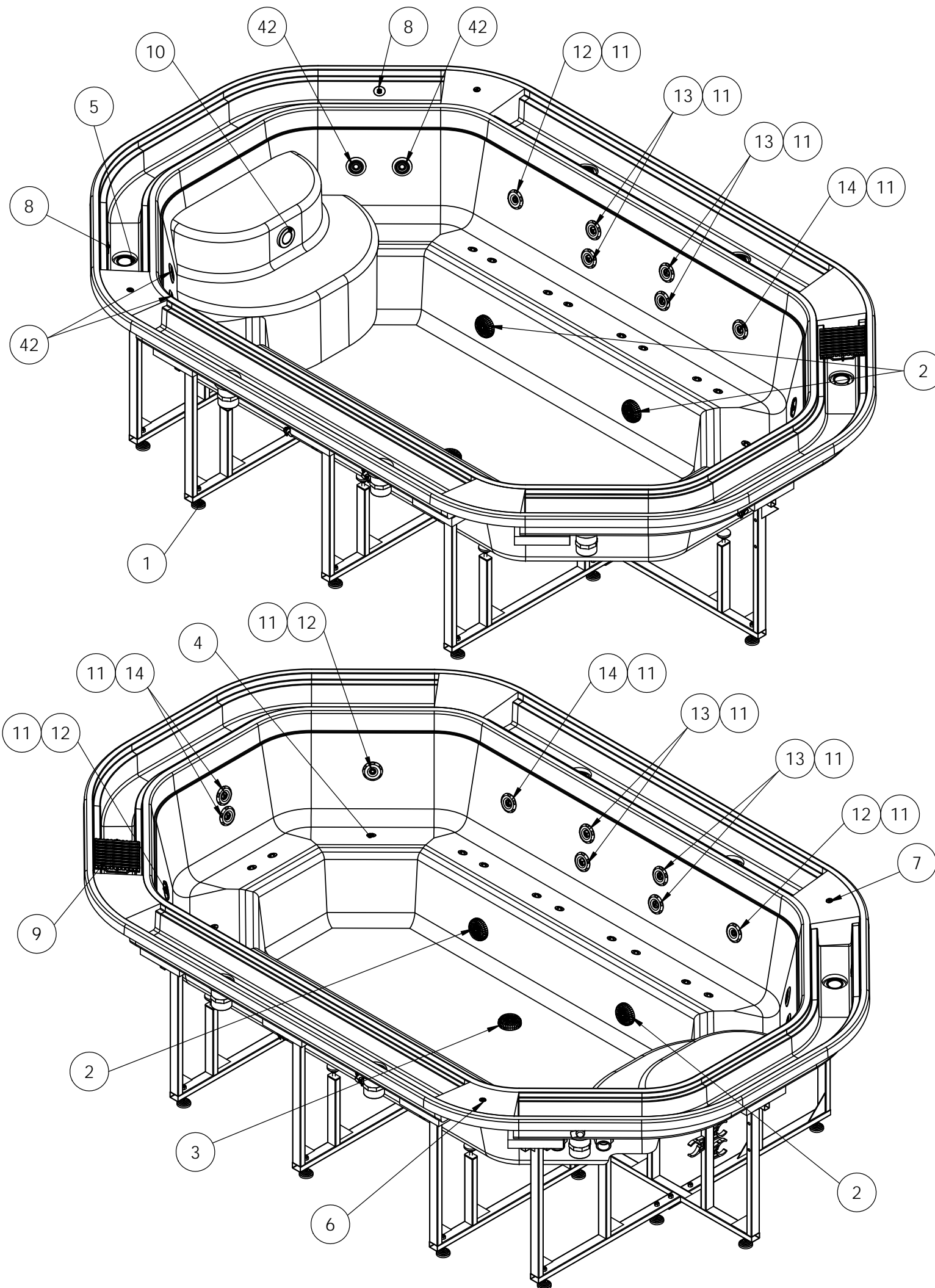
**WARNING:**  
It's essential to keep a minimum clearance access of **700mm** all around.  
Minimum depth of spa hole **940 mm**.



According to our policy of continuous improvement, dimensions, features or components of this product can be partially or completely changed without prior notice.  
It's Customer responsibility to verify that this is the last version of the drawing

Change No.	Date	Name	Modification
11	17/02/2016	I.Pozo	Change light and drain
10	16/12/14	I.Pozo	Change tolerance spa, change connections and dimension support
09	12/06/14	I.Pozo	New spare template
08	26/05/14	I.Pozo	New Templates
07	18/09/13	X.Codina	New Templates

Remarks Dimensions in mm. General Tolerances +/- 10mm		<b>COMMERCIAL</b>			
Drawn			Part Number	Rev.	First Angle Projection 
Checked	I.Nicolas		<b>26440</b>	<b>11</b>	
Scale 1:20	General Tolerance DIN 7168 ISO 2768g		<b>43744</b>		
Sheet 2/3					



STAINLESS STEEL JETS + WHITE LIGHT			
Position Num.	Part Nº SPARE	Description SPARE	Quant.
1	303325R	SPA SUPPORT	35
2	RPOR0223	WHITE SPA DRAIN 2" ADAPTOR SOCKET D.50	4
3	RPOR0224	WHITE SPA DRAIN 2" ADAPTOR ELBOW 90 D.50	1
4	REMP0046	WHITE-STAINLESS STEEL AIR NOZZLE	20
5	REMP0051	WHITE SPA DRAIN 2 1/2'	8
6	REMP0034	DIGITAL BUTTON IP68 ALUM. AIR	1
7	REMP0033	DIGITAL BUTTON IP68 ALUM. WATER	1
8	RPOR0003	GREY DRAIN SET - BODY+COVER+ASSEMBLY	2
9	REMP0039	SPA OLIMPIA GRATING	378
10	RCOM0071	HIGH INTENSITY WHITE LED SPOTLIGHTS + STAINLESS STEEL ESCUTCHEON SPOTLIGHT	1
11	RPOR0236	JET BODY SET RD 3"	16
12	RPOR0231	FRONTAL JET 3" STAINLESS STEEL DIRECTIONAL	4
13	RPOR0232	FRONTAL JET 3" STAINLESS STEEL 1 JET ROTO	8
14	RPOR0233	FRONTAL JET 3" STAINLESS STEEL TWIN ROTO	4
42	REMP0010	PRESSURE NOZZLE	4

WHITE JETS + WHITE LIGHT			
Position Num.	Part Nº SPARE	Description SPARE	Quant.
1	303325R	SPA SUPPORT	35
2	RPOR0223	WHITE SPA DRAIN 2" ADAPTOR SOCKET D.50	4
3	RPOR0224	WHITE SPA DRAIN 2" ADAPTOR ELBOW 90 D.50	1
4	REMP0029	KIT STORM AIR NOZZLE	20
5	REMP0051	WHITE SPA DRAIN 2 1/2'	8
6	REMP0034	DIGITAL BUTTON IP68 ALUM. AIR	1
7	REMP0033	DIGITAL BUTTON IP68 ALUM. WATER	1
8	RPOR0003	GREY DRAIN SET - BODY+COVER+ASSEMBLY	2
9	REMP0039	SPA OLIMPIA GRATING	378
10	RCOM0070	HIGH INTENSITY WHITE LED SPOTLIGHTS + WHITE ESCUTCHEON SPOTLIGHT	1
11	RPOR0236	JET BODY SET RD 3"	16
12	REMP0058	FRONTAL JET DIRECCIONAL 3"	4
13	REMP0059	FRONTAL JET ROT 1 CHORRO 3"	8
14	REMP0060	FRONTAL JET ROT 2 CHORRO 3"	4
42	REMP0010	PRESSURE NOZZLE	4

STAINLESS STEEL JETS + COLOUR LIGHT			
Position Num.	Part Nº SPARE	Description SPARE	Quant.
1	303325R	SPA SUPPORT	35
2	RPOR0223	WHITE SPA DRAIN 2" ADAPTOR SOCKET D.50	4
3	RPOR0224	WHITE SPA DRAIN 2" ADAPTOR ELBOW 90 D.50	1
4	REMP0046	WHITE-STAINLESS STEEL AIR NOZZLE	20
5	REMP0051	WHITE SPA DRAIN 2 1/2'	8
6	REMP0034	DIGITAL BUTTON IP68 ALUM. AIR	1
7	REMP0033	DIGITAL BUTTON IP68 ALUM. WATER	1
8	RPOR0003	GREY DRAIN SET - BODY+COVER+ASSEMBLY	2
9	REMP0039	SPA OLIMPIA GRATING	378
10	RCOM0063	HIGH INTENSITY COLOURS LED SPOTLIGHTS + STEEL ESCUTCHEON SPOTLIGHT	1
11	RPOR0236	JET BODY SET RD 3"	16
12	RPOR0231	FRONTAL JET 3" STAINLESS STEEL DIRECTIONAL	4
13	RPOR0232	FRONTAL JET 3" STAINLESS STEEL 1 JET ROTO	8
14	RPOR0233	FRONTAL JET 3" STAINLESS STEEL TWIN ROTO	4
42	REMP0010	PRESSURE NOZZLE	4

WHITE JETS + COLOUR LIGHT			
Position Num.	Part Nº SPARE	Description SPARE	Quant.
1	303325R	SPA SUPPORT	35
2	RPOR0223	WHITE SPA DRAIN 2" ADAPTOR SOCKET D.50	4
3	RPOR0224	WHITE SPA DRAIN 2" ADAPTOR ELBOW 90 D.50	1
4	REMP0029	KIT STORM AIR NOZZLE	20
5	REMP0051	WHITE SPA DRAIN 2 1/2'	8
6	REMP0034	DIGITAL BUTTON IP68 ALUM. AIR	1
7	REMP0033	DIGITAL BUTTON IP68 ALUM. WATER	1
8	RPOR0003	GREY DRAIN SET - BODY+COVER+ASSEMBLY	2
9	REMP0039	SPA OLIMPIA GRATING	378
10	RCOM0061	HIGH INTENSITY COLOURS LED SPOTLIGHTS + WHITE ESCUTCHEON SPOTLIGHT	1
11	RPOR0236	JET BODY SET RD 3"	16
12	REMP0058	FRONTAL JET DIRECCIONAL 3"	4
13	REMP0059	FRONTAL JET ROT 1 CHORRO 3"	8
14	REMP0060	FRONTAL JET ROT 2 CHORRO 3"	4
42	REMP0010	PRESSURE NOZZLE	4

VALID FROM 15/01/2016

According to our policy of continuous improvement, dimensions, features or components of this product can be partially or completely changed without prior notice. It's Customer responsibility to verify that this is the last version of the drawing

Change No.	Date	Name	Modification
11	17/02/2016	I.Pozo	Change light and drain
10	16/12/14	I.Pozo	Change tolerance spa, change connections and dimension support
09	12/06/14	I.Pozo	New spare template
08	26/05/14	I.Pozo	New Templates
07	18/09/13	X.Codina	New Templates

Remarks Dimensions in mm. General Tolerances +/- 10mm		<b>SPARE DRAWING</b>	
Drawn			Part Number <b>26440</b> <b>43744</b>
Checked	I.Nicolas		Rev. <b>11</b>
Scale 1:20 Sheet 3/3	General Tolerance DIN 7168 ISO 2768g		First Angle Projection 