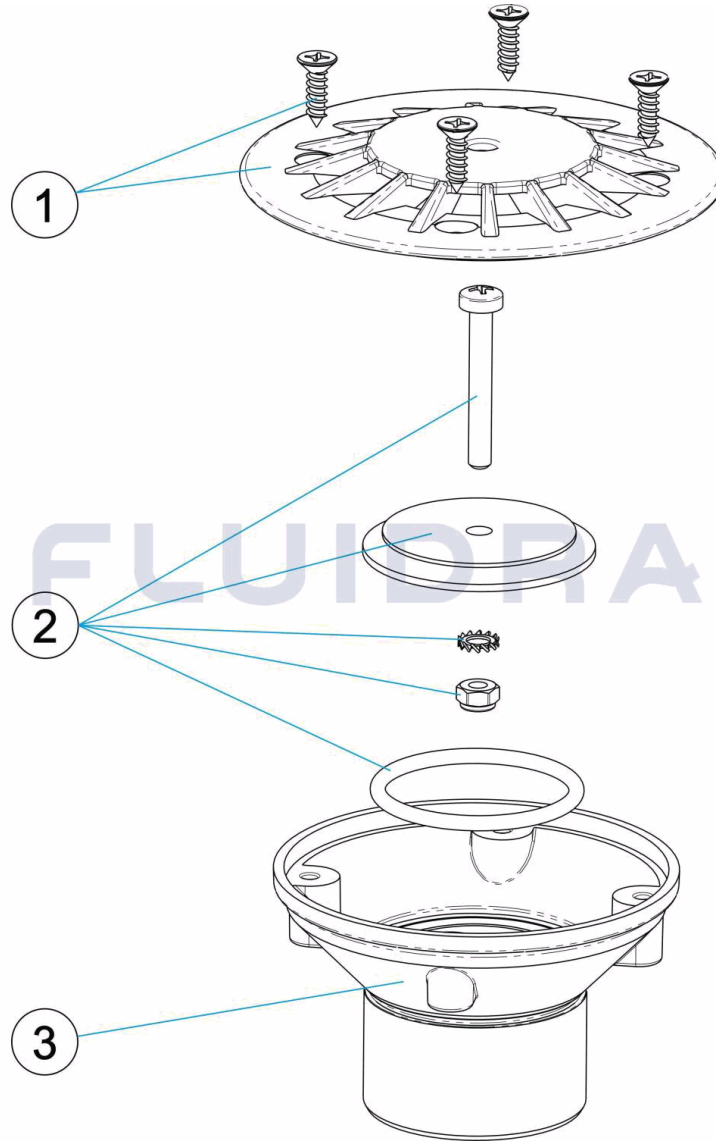


CODIGO **00303, 00303CL090, 00303CL129, 00303CL144**

DESCRIPCION: **BOQUILLA DE FONDO PISCINA HORMIGON**



**ESPAÑOL**

POS	CODIGO	DESCRIPCION	POS	CODIGO	DESCRIPCION
1	* 4402040802	TAPETA SUPERIOR BOQUILLA	1	* 4402040062	TAPETA SUPERIOR BOQUILLA
1	* 4402040060	TAPETA SUPERIOR BOQUILLA	2	4402040801	TAPETA REGULADORA BOQUILLA
1	* 4402040061	TAPETA SUPERIOR BOQUILLA	3	00303R0100	BASE BOQUILLA IMPULSION

**CODIGO 00303, 00303CL090, 00303CL129, 00303CL144**

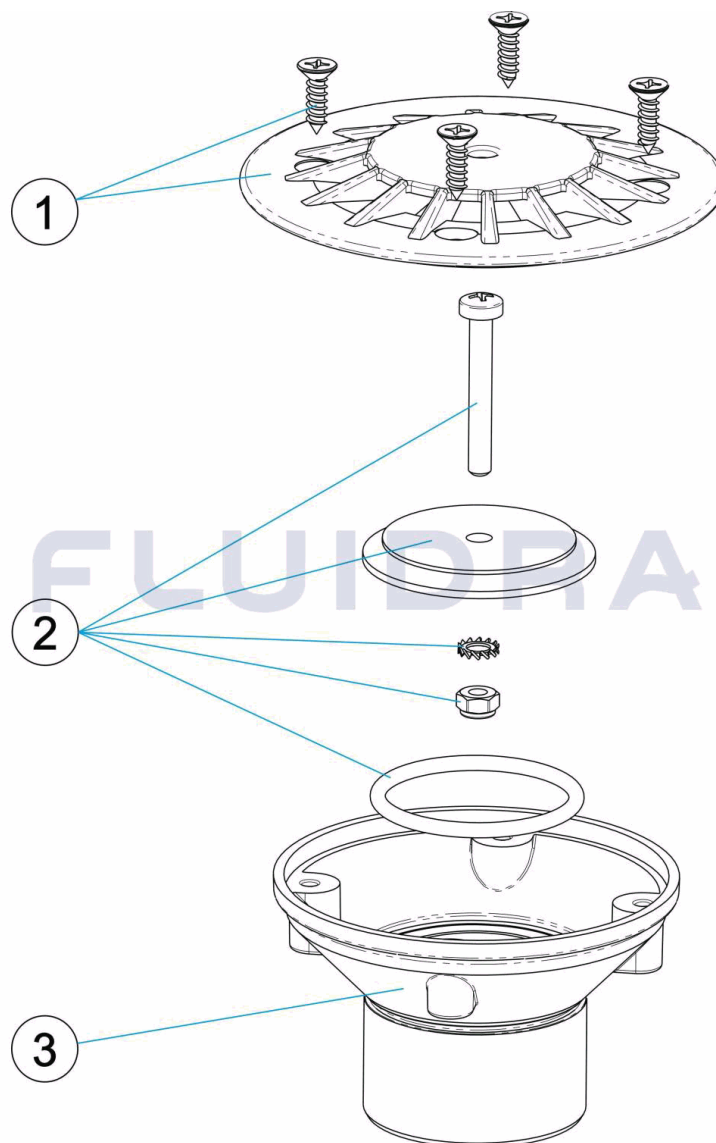
**DESCRIPCION: BOQUILLA DE FONDO PISCINA HORMIGON**

### OBSERVACIONES

POS	CODIGO	OBSERVACIONES
1	4402040802	PARA: 00303 BLANCO / WHITE
1	4402040060	PARA: 00303CL090 BEIGE
1	4402040061	PARA: 00303CL129 GRIS / GREY
1	4402040062	PARA: 00303CL144 ANTRACITA / ANTHRACITE

CODE 00303, 00303CL090, 00303CL129, 00303CL144

DESCRIPTION: BOUCHE FOND PISCINE BÉTON



**FRANCAIS**

POS	CODE	DESCRIPTION	POS	CODE	DESCRIPTION
1	* 4402040802	GRILLE	1	* 4402040062	GRILLE
1	* 4402040060	GRILLE	2	4402040801	DISQUE REGLAGE DEBIT
1	* 4402040061	GRILLE	3	00303R0100	CORPS DE LA BUSE

CODE **00303, 00303CL090, 00303CL129, 00303CL144**

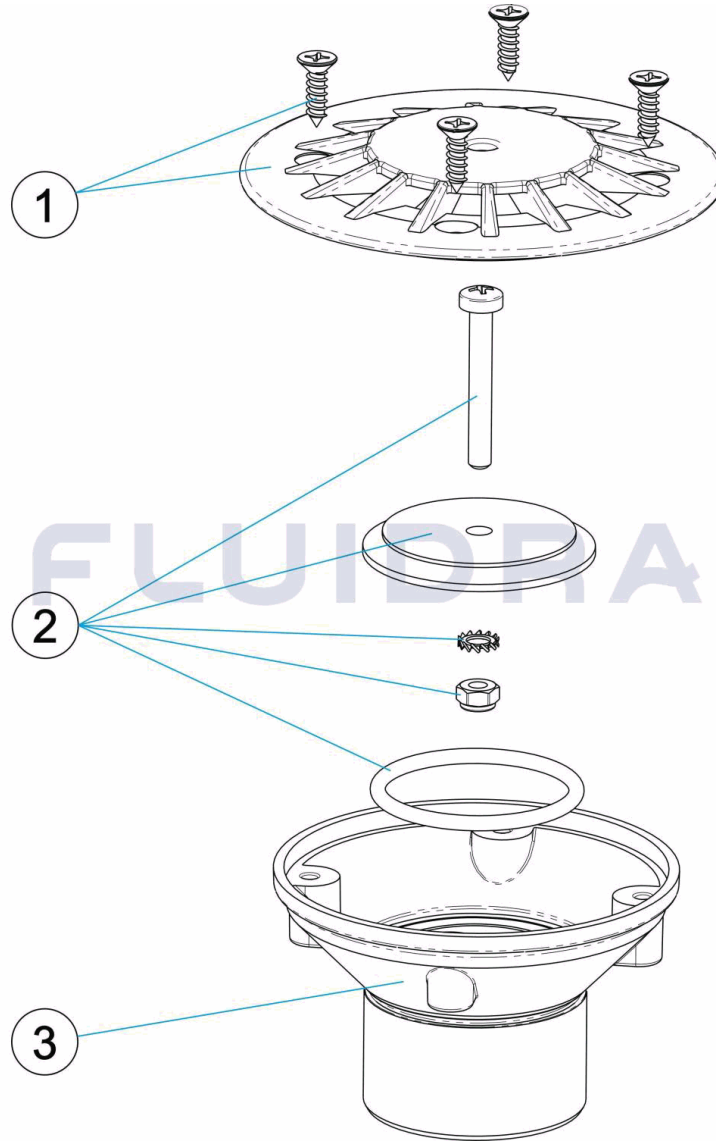
DESCRIPTION: **BOUCHE FOND PISCINE BÉTON**

**OBSERVATIONS**

POS	CODE	OBSERVATIONS
1	4402040802	POUR: 00303 BLANCO / WHITE
1	4402040060	POUR: 00303CL090 BEIGE
1	4402040061	POUR: 00303CL129 GRIS / GREY
1	4402040062	POUR: 00303CL144 ANTRACITA / ANTHRACITE

CODE **00303, 00303CL090, 00303CL129, 00303CL144**

DESCRIPTION: **BOTTOM NOZZLE CONCRETE POOL**



**ENGLISH**

POS	CODE	DESCRIPTION	POS	CODE	DESCRIPTION
1	* 4402040802	INLET DIFFUSER PLATE	1	* 4402040062	INLET DIFFUSER PLATE
1	* 4402040060	INLET DIFFUSER PLATE	2	4402040801	REGULATING DISC
1	* 4402040061	INLET DIFFUSER PLATE	3	00303R0100	INLET BASE

CODE **00303, 00303CL090, 00303CL129, 00303CL144**

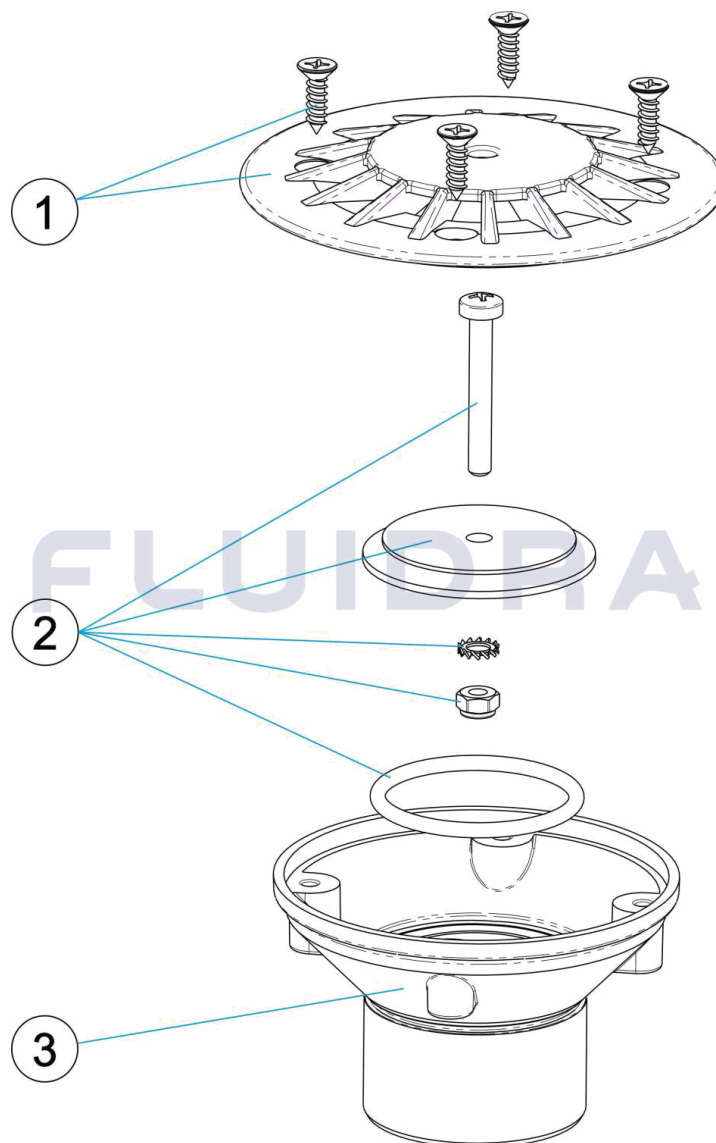
DESCRIPTION: **BOTTOM NOZZLE CONCRETE POOL**

## OBSERVATIONS

POS	CODE	OBSERVATIONS
1	4402040802	FOR: 00303 BLANCO / WHITE
1	4402040060	FOR: 00303CL090 BEIGE
1	4402040061	FOR: 00303CL129 GRIS / GREY
1	4402040062	FOR: 00303CL144 ANTRACITA / ANTHRACITE

CODICE **00303, 00303CL090, 00303CL129, 00303CL144**

DESCRIZIONE: **BOCCHETTA DA FONDO PISCINA CEMENTO**



**ITALIANO**

POS	CODICE	DESCRIZIONE	POS	CODICE	DESCRIZIONE
1	* 4402040802	COPERCHIO SUPERIORE	1	* 4402040062	COPERCHIO SUPERIORE
1	* 4402040060	COPERCHIO SUPERIORE	2	4402040801	COPERCHIO REGOLAZIONE
1	* 4402040061	COPERCHIO SUPERIORE	3	00303R0100	BASE BOCCHETTA

CODICE **00303, 00303CL090, 00303CL129, 00303CL144**

DESCRIZIONE: **BOCCHETTA DA FONDO PISCINA CEMENTO**

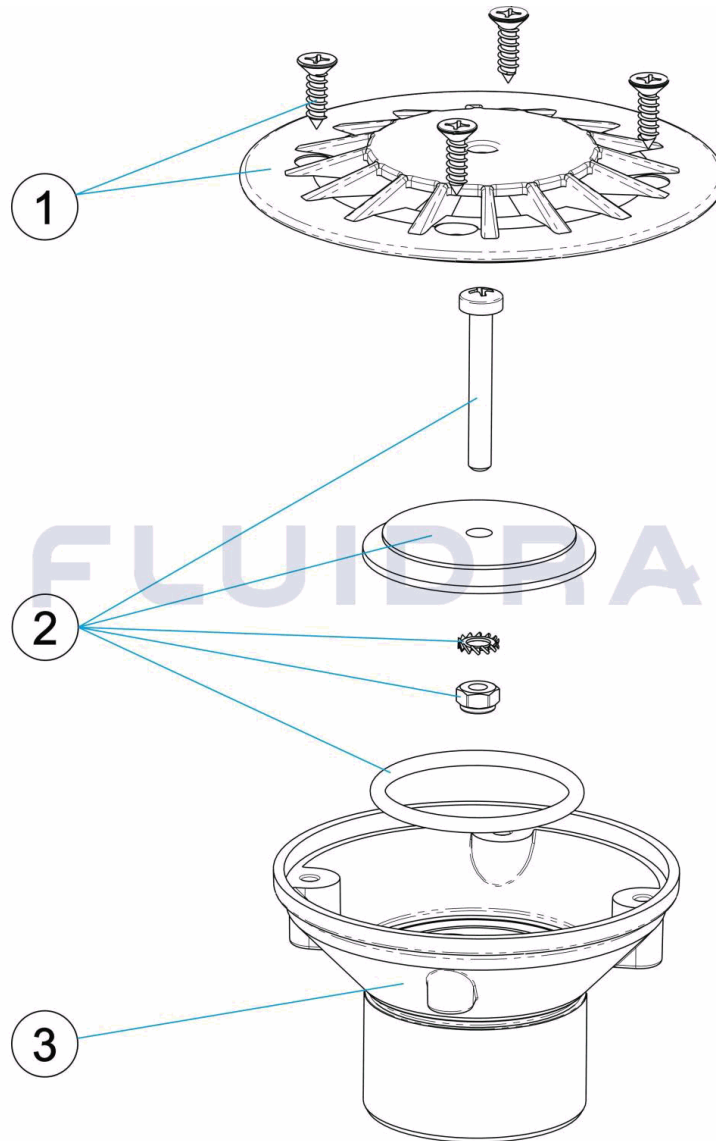
## OSSERVAZIONI

POS	CODICE	OSSERVAZIONI
1	4402040802	PER: 00303 BLANCO / WHITE
1	4402040060	PER: 00303CL090 BEIGE
1	4402040061	PER: 00303CL129 GRIS / GREY
1	4402040062	PER: 00303CL144 ANTRACITA / ANTHRACITE



CODE **00303, 00303CL090, 00303CL129, 00303CL144**

BESCHREIBUNG: **BODENDÜSE BETONBECKEN**



**DEUTSCH**

POS	CODE	BESCHREIBUNG	POS	CODE	BESCHREIBUNG
1	* 4402040802	ABSCHLUSSPLATTE OBEN DÜSE	1	* 4402040062	ABSCHLUSSPLATTE OBEN DÜSE
1	* 4402040060	ABSCHLUSSPLATTE OBEN DÜSE	2	4402040801	REGULIERPLATTE DÜSE
1	* 4402040061	ABSCHLUSSPLATTE OBEN DÜSE	3	00303R0100	BASIS EINLAUFDÜSE

CODE **00303, 00303CL090, 00303CL129, 00303CL144**

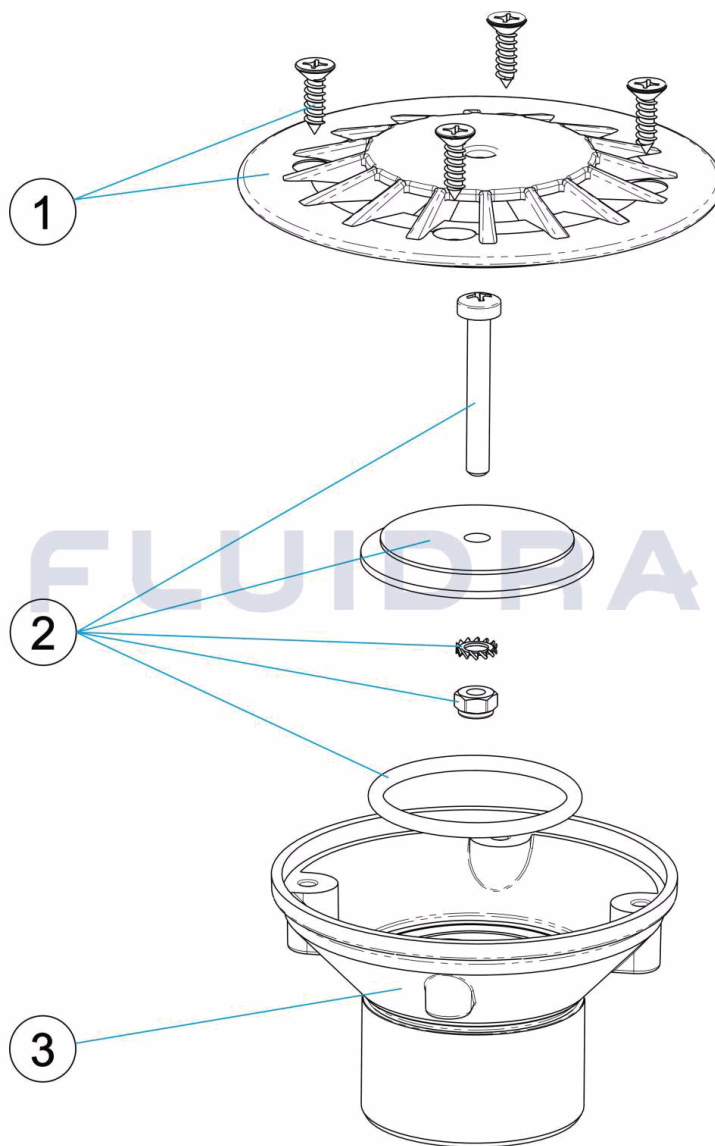
BESCHREIBUNG: **BODENDÜSE BETONBECKEN**

## HINWEISE

POS	CODE	HINWEISE
1	4402040802	FÜR: 00303 BLANCO / WHITE
1	4402040060	FÜR: 00303CL090 BEIGE
1	4402040061	FÜR: 00303CL129 GRIS / GREY
1	4402040062	FÜR: 00303CL144 ANTRACITA / ANTHRACITE

CODIGO **00303, 00303CL090, 00303CL129, 00303CL144**

DESCRIÇÃO: **BOQUILHA DE FUNDO PISCINA BETÃO**



**PORTUGUES**

POS	CODIGO	DESCRIÇÃO	POS	CODIGO	DESCRIÇÃO
1	* 4402040802	TAMPA SUPERIOR BOCA	1	* 4402040062	TAMPA SUPERIOR BOCA
1	* 4402040060	TAMPA SUPERIOR BOCA	2	4402040801	TAMPA REGULADORA BOCA
1	* 4402040061	TAMPA SUPERIOR BOCA	3	00303R0100	BASE BOCA

**CODIGO 00303, 00303CL090, 00303CL129, 00303CL144**

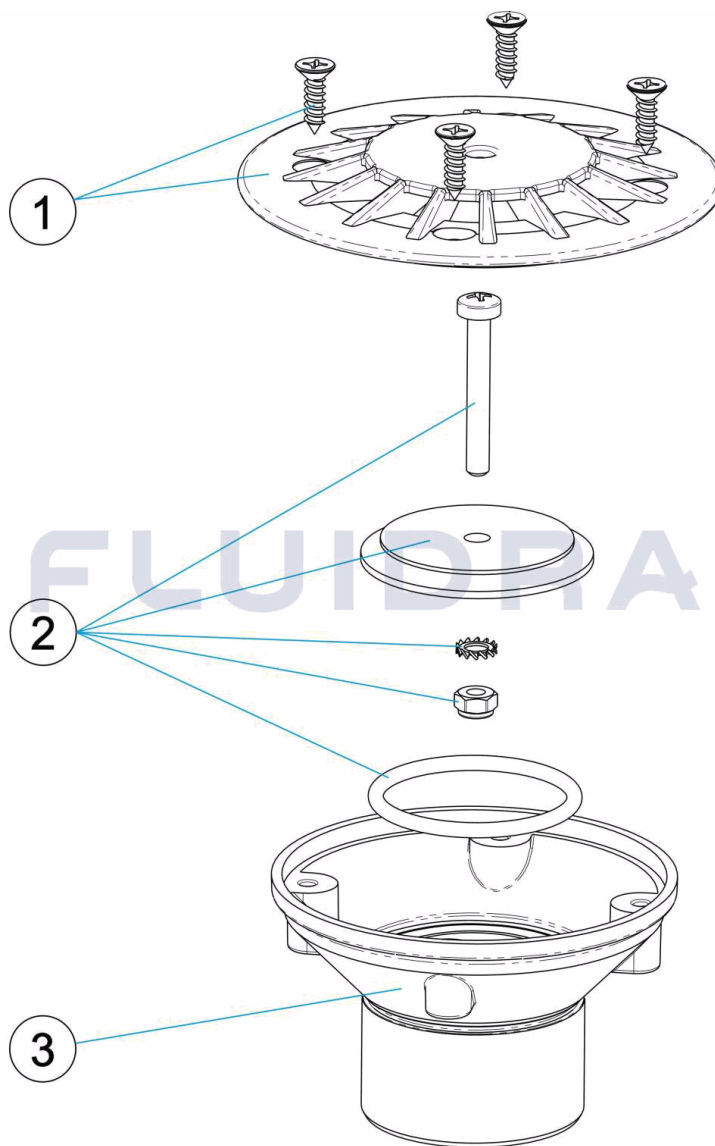
**DESCRIÇÃO: BOQUILHA DE FUNDO PISCINA BETÃO**

## OBSERVAÇÕES

POS	CODIGO	OBSERVAÇÕES
1	4402040802	PARA: 00303 BLANCO / WHITE
1	4402040060	PARA: 00303CL090 BEIGE
1	4402040061	PARA: 00303CL129 GRIS / GREY
1	4402040062	PARA: 00303CL144 ANTRACITA / ANTHRACITE

CODIGO 00303, 00303CL090, 00303CL129, 00303CL144

DESCRIPCION: BOQUILLA DE FONDO PISCINA HORMIGON



ESPAÑOL

POS	CODIGO	DESCRIPCION	POS	CODIGO	DESCRIPCION
1	* 4402040802	TAPETA SUPERIOR BOQUILLA	1	* 4402040062	TAPETA SUPERIOR BOQUILLA
1	* 4402040060	TAPETA SUPERIOR BOQUILLA	2	4402040801	TAPETA REGULADORA BOQUILLA
1	* 4402040061	TAPETA SUPERIOR BOQUILLA	3	00303R0100	BASE BOQUILLA IMPULSION

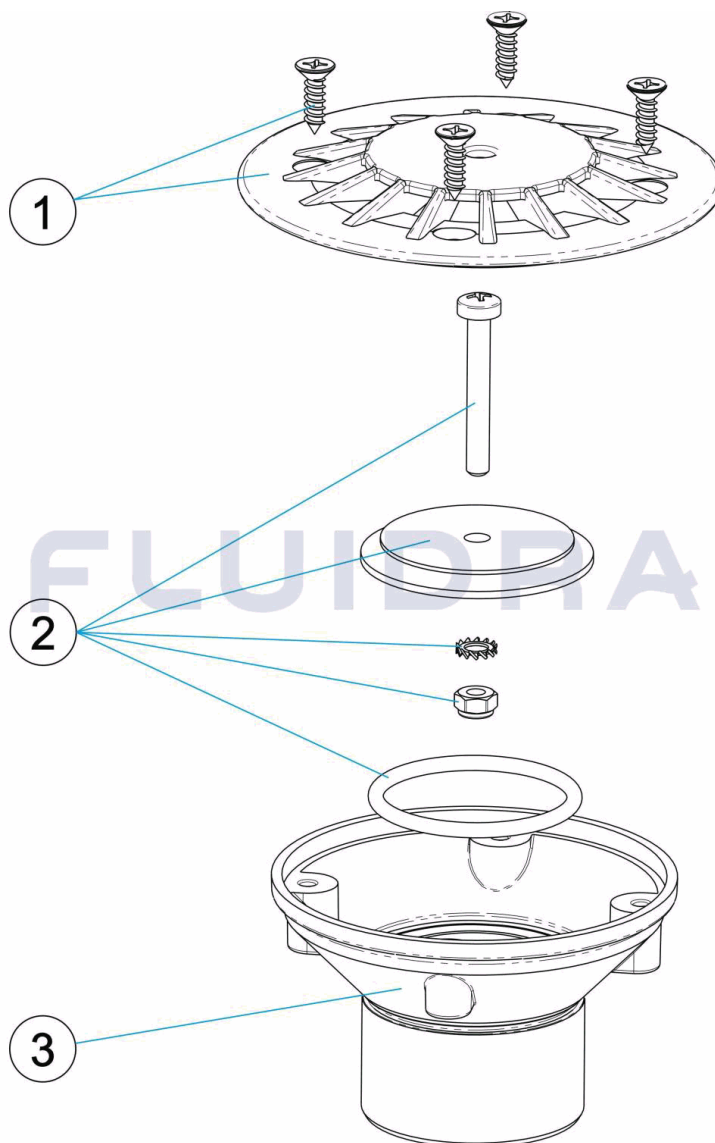
CODIGO **00303, 00303CL090, 00303CL129, 00303CL144**DESCRIPCION: **BOQUILLA DE FONDO PISCINA HORMIGON**

## OBSERVACIONES

POS	CODIGO	OBSERVACIONES
1	4402040802	PARA: 00303 BLANCO / WHITE
1	4402040060	PARA: 00303CL090 BEIGE
1	4402040061	PARA: 00303CL129 GRIS / GREY
1	4402040062	PARA: 00303CL144 ANTRACITA / ANTHRACITE

CODE 00303, 00303CL090, 00303CL129, 00303CL144

DESCRIPTION: BOUCHE FOND PISCINE BÉTON



**FRANCAIS**

POS	CODE	DESCRIPTION	POS	CODE	DESCRIPTION
1	* 4402040802	GRILLE	1	* 4402040062	GRILLE
1	* 4402040060	GRILLE	2	4402040801	DISQUE REGLAGE DEBIT
1	* 4402040061	GRILLE	3	00303R0100	CORPS DE LA BUSE

CODE **00303, 00303CL090, 00303CL129, 00303CL144**DESCRIPTION: **BOUCHE FOND PISCINE BÉTON**

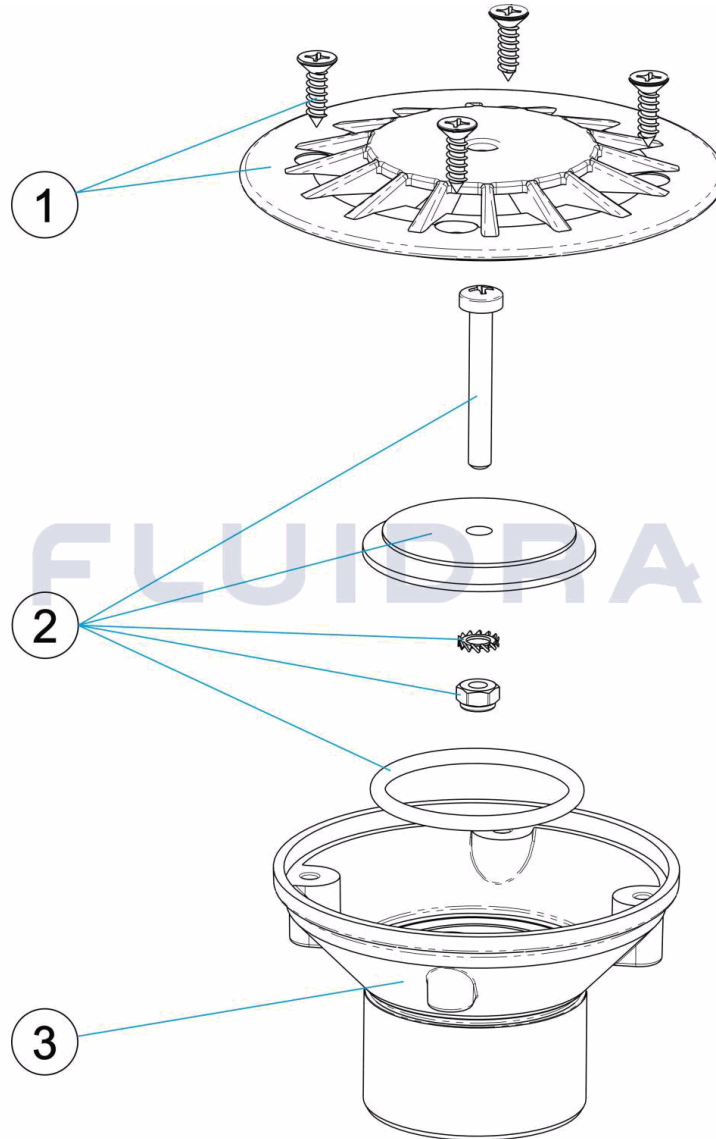
## OBSERVATIONS

POS	CODE	OBSERVATIONS
1	4402040802	POUR: 00303 BLANCO / WHITE
1	4402040060	POUR: 00303CL090 BEIGE
1	4402040061	POUR: 00303CL129 GRIS / GREY
1	4402040062	POUR: 00303CL144 ANTRACITA / ANTHRACITE



CODE 00303, 00303CL090, 00303CL129, 00303CL144

DESCRIPTION: **BOTTOM NOZZLE CONCRETE POOL**



**ENGLISH**

POS	CODE	DESCRIPTION	POS	CODE	DESCRIPTION
1	* 4402040802	INLET DIFFUSER PLATE	1	* 4402040062	INLET DIFFUSER PLATE
1	* 4402040060	INLET DIFFUSER PLATE	2	4402040801	REGULATING DISC
1	* 4402040061	INLET DIFFUSER PLATE	3	00303R0100	INLET BASE

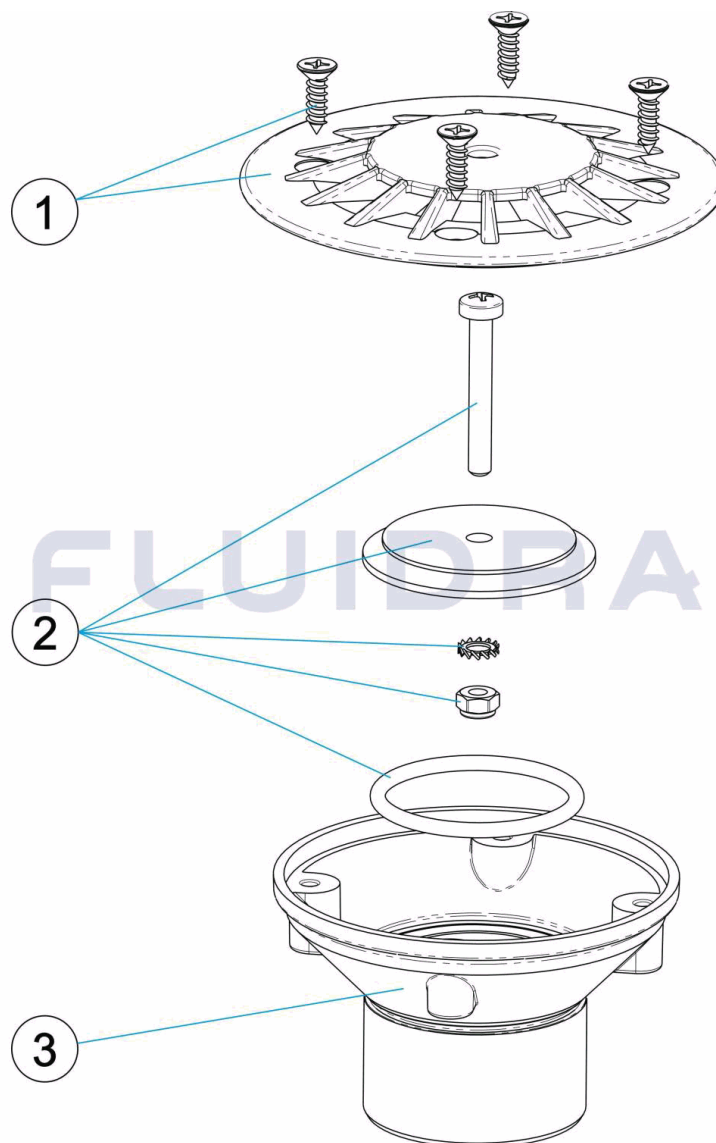
CODE **00303, 00303CL090, 00303CL129, 00303CL144**DESCRIPTION: **BOTTOM NOZZLE CONCRETE POOL**

## OBSERVATIONS

POS	CODE	OBSERVATIONS
1	4402040802	FOR: 00303 BLANCO / WHITE
1	4402040060	FOR: 00303CL090 BEIGE
1	4402040061	FOR: 00303CL129 GRIS / GREY
1	4402040062	FOR: 00303CL144 ANTRACITA / ANTHRACITE

CODICE 00303, 00303CL090, 00303CL129, 00303CL144

DESCRIZIONE: BOCCHETTA DA FONDO PISCINA CEMENTO



ITALIANO

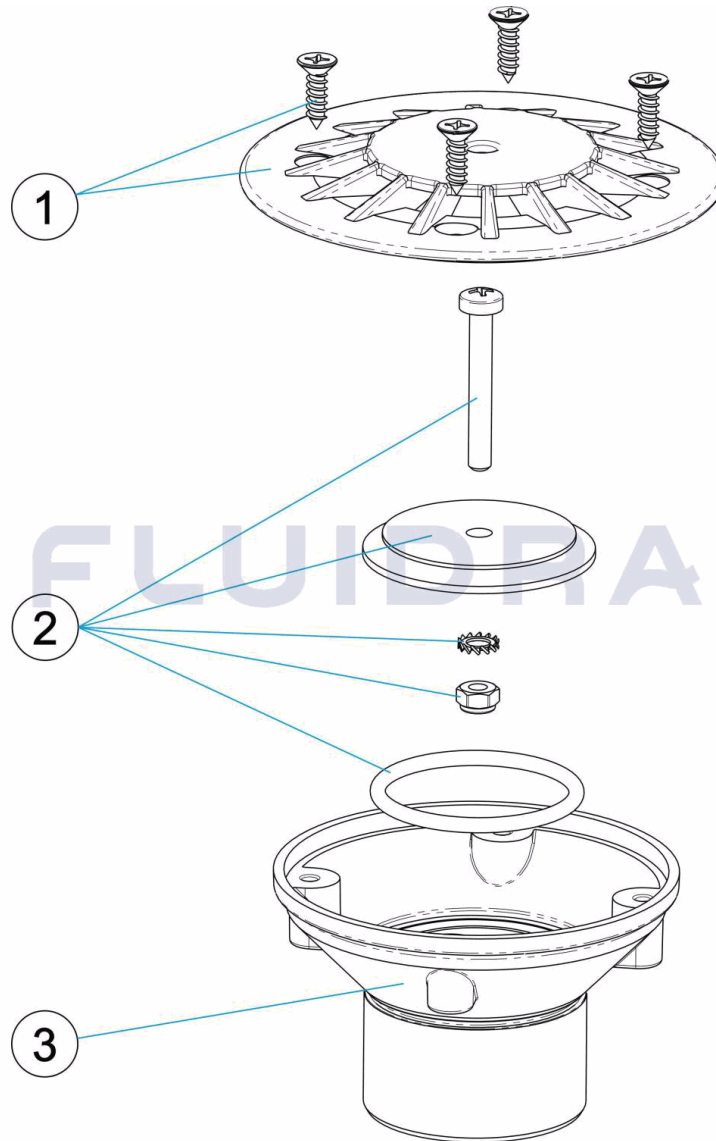
POS	CODICE	DESCRIZIONE	POS	CODICE	DESCRIZIONE
1	* 4402040802	COPERCHIO SUPERIORE	1	* 4402040062	COPERCHIO SUPERIORE
1	* 4402040060	COPERCHIO SUPERIORE	2	4402040801	COPERCHIO REGOLAZIONE
1	* 4402040061	COPERCHIO SUPERIORE	3	00303R0100	BASE BOCCHETTA

CODICE **00303, 00303CL090, 00303CL129, 00303CL144**DESCRIZIONE: **BOCCHETTA DA FONDO PISCINA CEMENTO****OSSERVAZIONI**

POS	CODICE	OSSERVAZIONI
1	4402040802	PER: 00303 BLANCO / WHITE
1	4402040060	PER: 00303CL090 BEIGE
1	4402040061	PER: 00303CL129 GRIS / GREY
1	4402040062	PER: 00303CL144 ANTRACITA / ANTHRACITE

CODE 00303, 00303CL090, 00303CL129, 00303CL144

BESCHREIBUNG: **BODENDÜSE BETONBECKEN**



**DEUTSCH**

POS	CODE	BESCHREIBUNG	POS	CODE	BESCHREIBUNG
1	* 4402040802	ABSCHLUSSPLATTE OBEN DÜSE	1	* 4402040062	ABSCHLUSSPLATTE OBEN DÜSE
1	* 4402040060	ABSCHLUSSPLATTE OBEN DÜSE	2	4402040801	REGULIERPLATTE DÜSE
1	* 4402040061	ABSCHLUSSPLATTE OBEN DÜSE	3	00303R0100	BASIS EINLAUFDÜSE

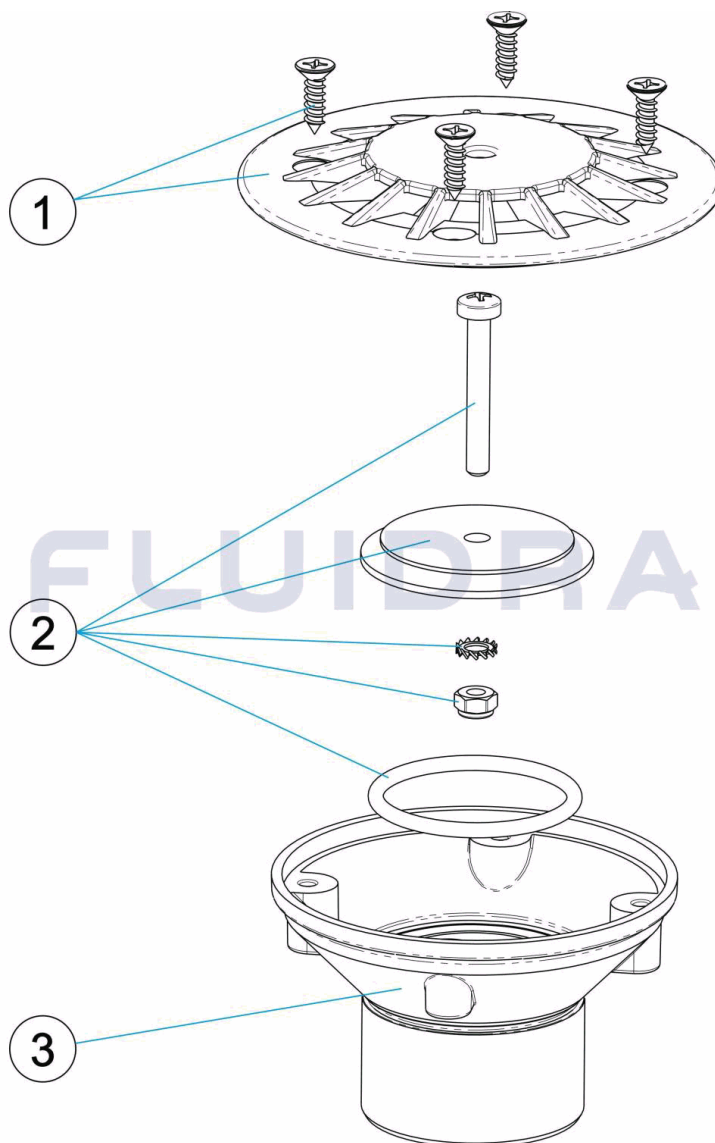
CODE **00303, 00303CL090, 00303CL129, 00303CL144**BESCHREIBUNG: **BODENDÜSE BETONBECKEN**

## HINWEISE

POS	CODE	HINWEISE
1	4402040802	FÜR: 00303 BLANCO / WHITE
1	4402040060	FÜR: 00303CL090 BEIGE
1	4402040061	FÜR: 00303CL129 GRIS / GREY
1	4402040062	FÜR: 00303CL144 ANTRACITA / ANTHRACITE

CODIGO 00303, 00303CL090, 00303CL129, 00303CL144

DESCRIÇÃO: BOQUILHA DE FUNDO PISCINA BETÃO



**PORTUGUES**

POS	CODIGO	DESCRIÇÃO	POS	CODIGO	DESCRIÇÃO
1	* 4402040802	TAMPA SUPERIOR BOCA	1	* 4402040062	TAMPA SUPERIOR BOCA
1	* 4402040060	TAMPA SUPERIOR BOCA	2	4402040801	TAMPA REGULADORA BOCA
1	* 4402040061	TAMPA SUPERIOR BOCA	3	00303R0100	BASE BOCA

CODIGO **00303, 00303CL090, 00303CL129, 00303CL144**DESCRIÇÃO: **BOQUILHA DE FUNDO PISCINA BETÃO****OBSERVACÕES**

POS	CODIGO	OBSERVACÕES
1	4402040802	PARA: 00303 BLANCO / WHITE
1	4402040060	PARA: 00303CL090 BEIGE
1	4402040061	PARA: 00303CL129 GRIS / GREY
1	4402040062	PARA: 00303CL144 ANTRACITA / ANTHRACITE