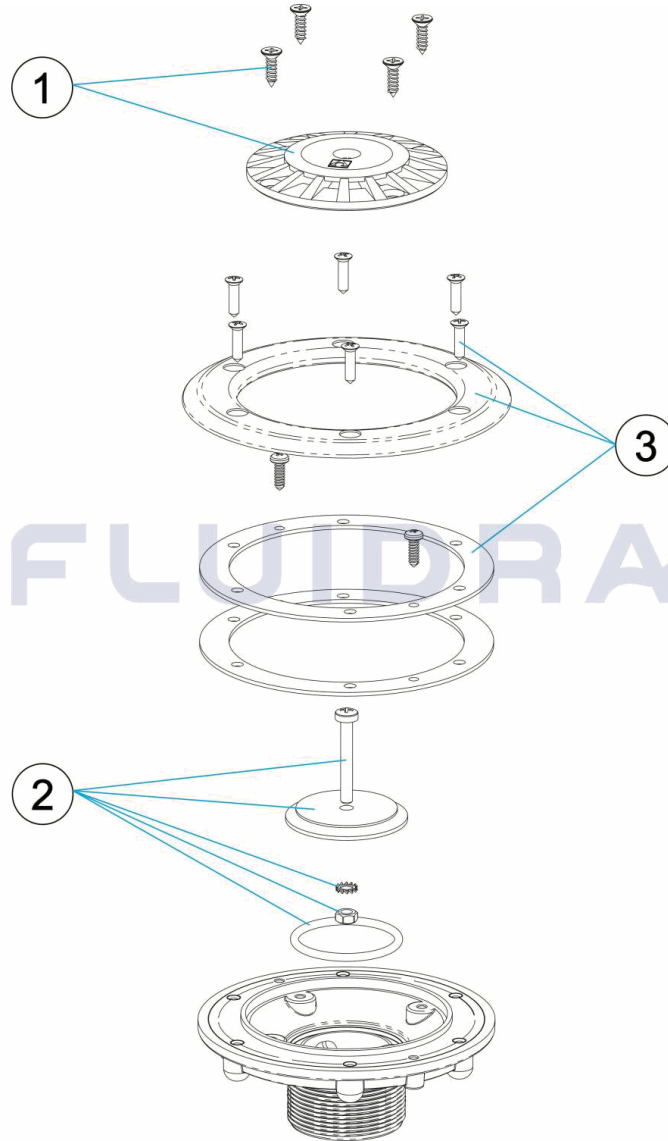


CODIGO 00340, 00340CL090, 00340CL129, 00340CL144

DESCRIPCION: BOQUILLA DE FONDO LINER



ESPAÑOL

POS	CODIGO	DESCRIPCION	POS	CODIGO	DESCRIPCION
1	* 4402042203	TAPETA SUPERIOR BOQUILLA	3	* 4402042201	BRIDA BOQUILLA
1	* 4402040046	TAPETA SUPERIOR BOQUILLA	3	* 4402040047	BRIDA BOQUILLA
1	* 4402040069	TAPETA SUPERIOR BOQUILLA	3	* 4402040071	BRIDA BOQUILLA
1	* 4402040070	TAPETA SUPERIOR BOQUILLA	3	* 4402040072	BRIDA BOQUILLA
2	4402040801	TAPETA REGULADORA BOQUILLA			

CODIGO 00340, 00340CL090, 00340CL129, 00340CL144

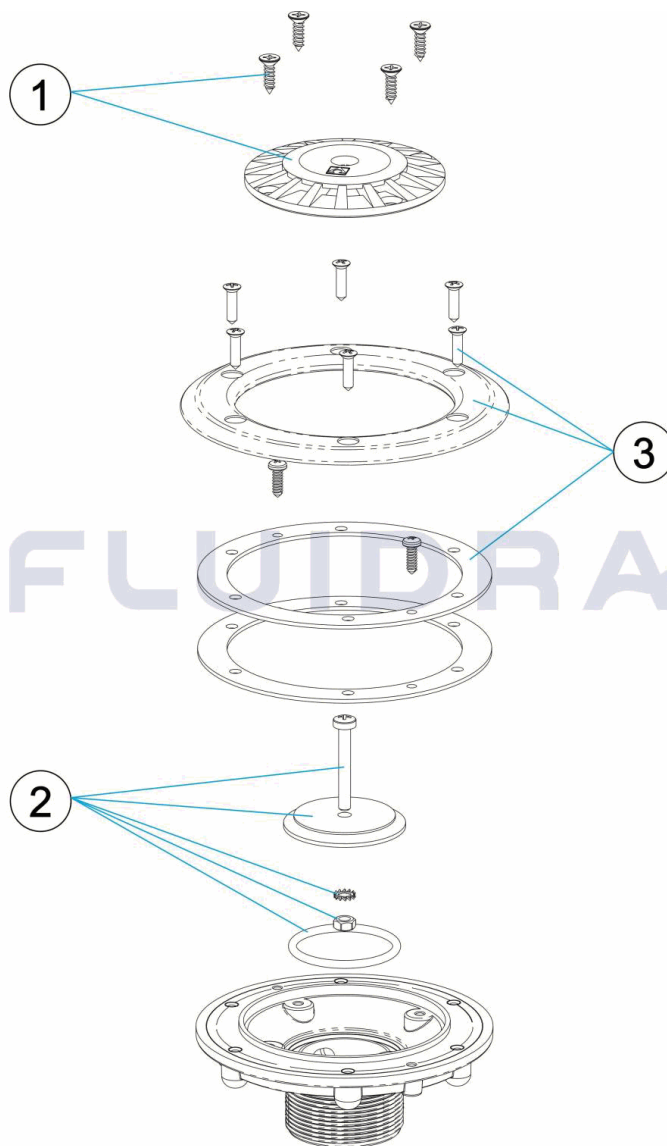
DESCRIPCION: BOQUILLA DE FONDO LINER

OBSERVACIONES

POS	CODIGO	OBSERVACIONES
1	4402042203	PARA: 00340 BLANCO / WHITE
1	4402040046	PARA: 00340CL090 BEIGE
1	4402040069	PARA: 00340CL129 GRIS / GREY
1	4402040070	PARA: 00340CL144 ANTRACITA / ANTHRACITE
3	4402042201	PARA: 00340 BLANCO / WHITE
3	4402040047	PARA: 00340CL090 BEIGE
3	4402040071	PARA: 00340CL129 GRIS / GREY
3	4402040072	PARA: 00340CL144 ANTRACITA / ANTHRACITE

CODE **00340, 00340CL090, 00340CL129, 00340CL144**

DESCRIPTION: **BUSE DE FOND LINER**



FRANCAIS

POS	CODE	DESCRIPTION	POS	CODE	DESCRIPTION
1	* 4402042203	GRILLE	3	* 4402042201	BRIDE DE BOUCHE
1	* 4402040046	GRILLE	3	* 4402040047	BRIDE DE BOUCHE
1	* 4402040069	GRILLE	3	* 4402040071	BRIDE DE BOUCHE
1	* 4402040070	GRILLE	3	* 4402040072	BRIDE DE BOUCHE
2	4402040801	DISQUE REGLAGE DEBIT			

CODE **00340, 00340CL090, 00340CL129, 00340CL144**

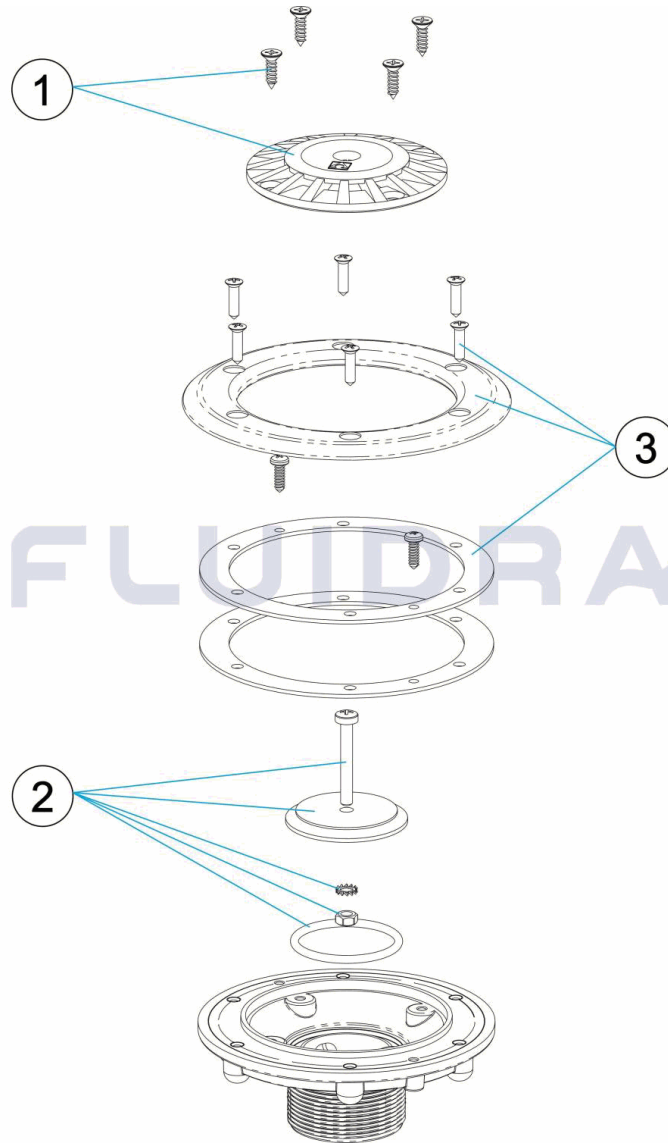
DESCRIPTION: **BUSE DE FOND LINER**

OBSERVATIONS

POS	CODE	OBSERVATIONS
1	4402042203	POUR: 00340 BLANCO / WHITE
1	4402040046	POUR: 00340CL090 BEIGE
1	4402040069	POUR: 00340CL129 GRIS / GREY
1	4402040070	POUR: 00340CL144 ANTRACITA / ANTHRACITE
3	4402042201	POUR: 00340 BLANCO / WHITE
3	4402040047	POUR: 00340CL090 BEIGE
3	4402040071	POUR: 00340CL129 GRIS / GREY
3	4402040072	POUR: 00340CL144 ANTRACITA / ANTHRACITE

CODE 00340, 00340CL090, 00340CL129, 00340CL144

DESCRIPTION: **BOTTOM NOZZLE LINER**



ENGLISH

POS	CODE	DESCRIPTION	POS	CODE	DESCRIPTION
1	* 4402042203	INLET DIFFUSER PLATE	3	* 4402042201	INLET FLANGE
1	* 4402040046	INLET DIFFUSER PLATE	3	* 4402040047	INLET FLANGE
1	* 4402040069	INLET DIFFUSER PLATE	3	* 4402040071	INLET FLANGE
1	* 4402040070	INLET DIFFUSER PLATE	3	* 4402040072	INLET FLANGE
2	4402040801	REGULATING DISC			

CODE **00340, 00340CL090, 00340CL129, 00340CL144**

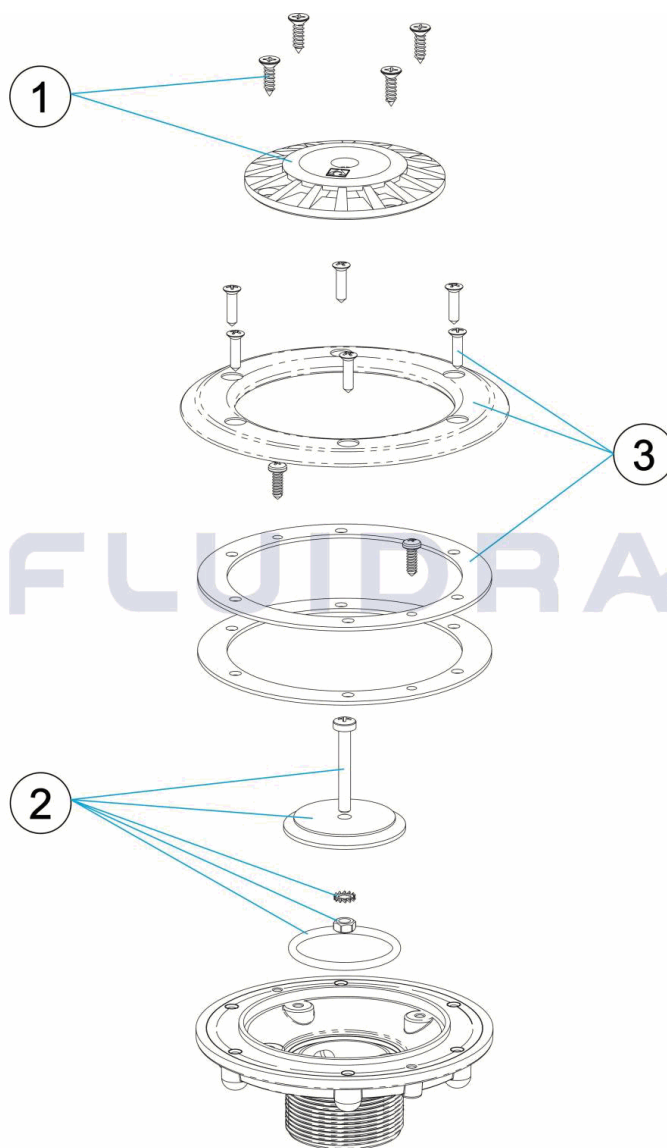
DESCRIPTION: **BOTTOM NOZZLE LINER**

OBSERVATIONS

POS	CODE	OBSERVATIONS
1	4402042203	FOR: 00340 BLANCO / WHITE
1	4402040046	FOR: 00340CL090 BEIGE
1	4402040069	FOR: 00340CL129 GRIS / GREY
1	4402040070	FOR: 00340CL144 ANTRACITA / ANTHRACITE
3	4402042201	FOR: 00340 BLANCO / WHITE
3	4402040047	FOR: 00340CL090 BEIGE
3	4402040071	FOR: 00340CL129 GRIS / GREY
3	4402040072	FOR: 00340CL144 ANTRACITA / ANTHRACITE

CODICE **00340, 00340CL090, 00340CL129, 00340CL144**

DESCRIZIONE: **BOCCHETTA DA FONDO LINER**



ITALIANO

POS	CODICE	DESCRIZIONE	POS	CODICE	DESCRIZIONE
1	* 4402042203	COPERCHIO SUPERIORE	3	* 4402042201	FLANGIA BOCCHETTA
1	* 4402040046	COPERCHIO SUPERIORE	3	* 4402040047	FLANGIA BOCCHETTA
1	* 4402040069	COPERCHIO SUPERIORE	3	* 4402040071	FLANGIA BOCCHETTA
1	* 4402040070	COPERCHIO SUPERIORE	3	* 4402040072	FLANGIA BOCCHETTA
2	4402040801	COPERCHIO REGOLAZIONE			

CODICE **00340, 00340CL090, 00340CL129, 00340CL144**

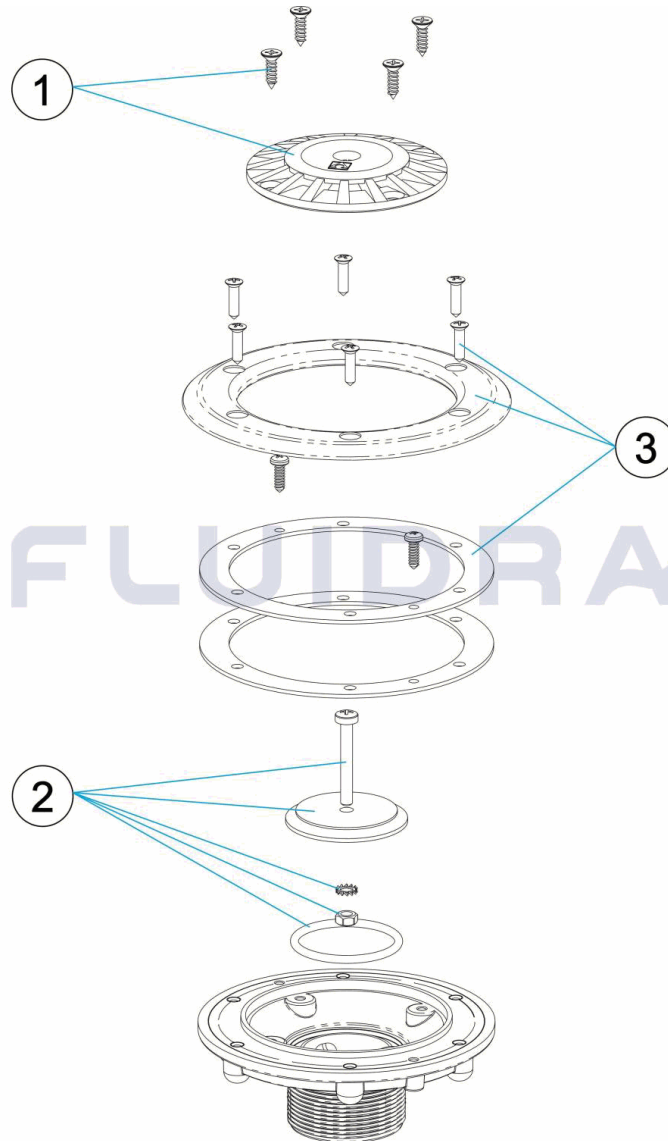
DESCRIZIONE: **BOCCHETTA DA FONDO LINER**

OSSERVAZIONI

POS	CODICE	OSSERVAZIONI
1	4402042203	PER: 00340 BLANCO / WHITE
1	4402040046	PER: 00340CL090 BEIGE
1	4402040069	PER: 00340CL129 GRIS / GREY
1	4402040070	PER: 00340CL144 ANTRACITA / ANTHRACITE
3	4402042201	PER: 00340 BLANCO / WHITE
3	4402040047	PER: 00340CL090 BEIGE
3	4402040071	PER: 00340CL129 GRIS / GREY
3	4402040072	PER: 00340CL144 ANTRACITA / ANTHRACITE

CODE **00340, 00340CL090, 00340CL129, 00340CL144**

BESCHREIBUNG: **BODENDÜSE FOLIE**



DEUTSCH

POS	CODE	BESCHREIBUNG	POS	CODE	BESCHREIBUNG
1	* 4402042203	ABSCHLUSSPLATTE OBEN DÜSE	3	* 4402042201	DÜSENFLANSCH
1	* 4402040046	ABSCHLUSSPLATTE OBEN DÜSE	3	* 4402040047	DÜSENFLANSCH
1	* 4402040069	ABSCHLUSSPLATTE OBEN DÜSE	3	* 4402040071	DÜSENFLANSCH
1	* 4402040070	ABSCHLUSSPLATTE OBEN DÜSE	3	* 4402040072	DÜSENFLANSCH
2	4402040801	REGULIERPLATTE DÜSE			

CODE **00340, 00340CL090, 00340CL129, 00340CL144**

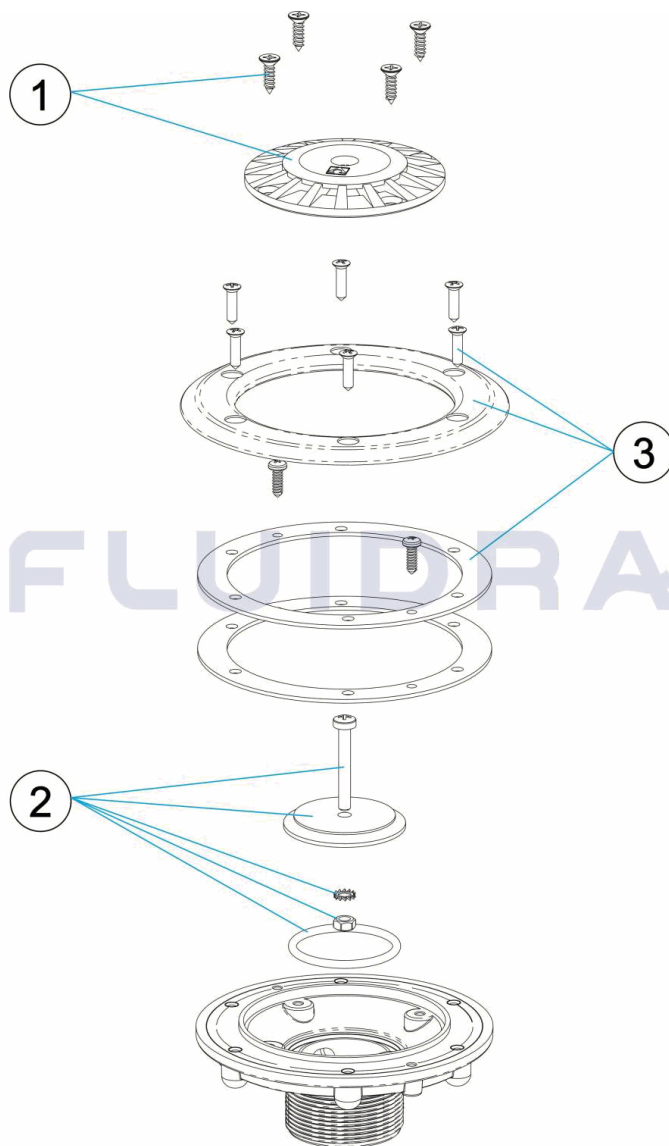
BESCHREIBUNG: **BODENDÜSE FOLIE**

HINWEISE

POS	CODE	HINWEISE
1	4402042203	FÜR: 00340 BLANCO / WHITE
1	4402040046	FÜR: 00340CL090 BEIGE
1	4402040069	FÜR: 00340CL129 GRIS / GREY
1	4402040070	FÜR: 00340CL144 ANTRACITA / ANTHRACITE
3	4402042201	FÜR: 00340 BLANCO / WHITE
3	4402040047	FÜR: 00340CL090 BEIGE
3	4402040071	FÜR: 00340CL129 GRIS / GREY
3	4402040072	FÜR: 00340CL144 ANTRACITA / ANTHRACITE

CODIGO **00340, 00340CL090, 00340CL129, 00340CL144**

DESCRIÇÃO: **BOQUILHA DE FUNDO LINER**



PORTUGUES

POS	CODIGO	DESCRIÇÃO	POS	CODIGO	DESCRIÇÃO
1	* 4402042203	TAMPA SUPERIOR BOCA	3	* 4402042201	FLANGE BOCA
1	* 4402040046	TAMPA SUPERIOR BOCA	3	* 4402040047	FLANGE BOCA
1	* 4402040069	TAMPA SUPERIOR BOCA	3	* 4402040071	FLANGE BOCA
1	* 4402040070	TAMPA SUPERIOR BOCA	3	* 4402040072	FLANGE BOCA
2	4402040801	TAMPA REGULADORA BOCA			

CODIGO 00340, 00340CL090, 00340CL129, 00340CL144

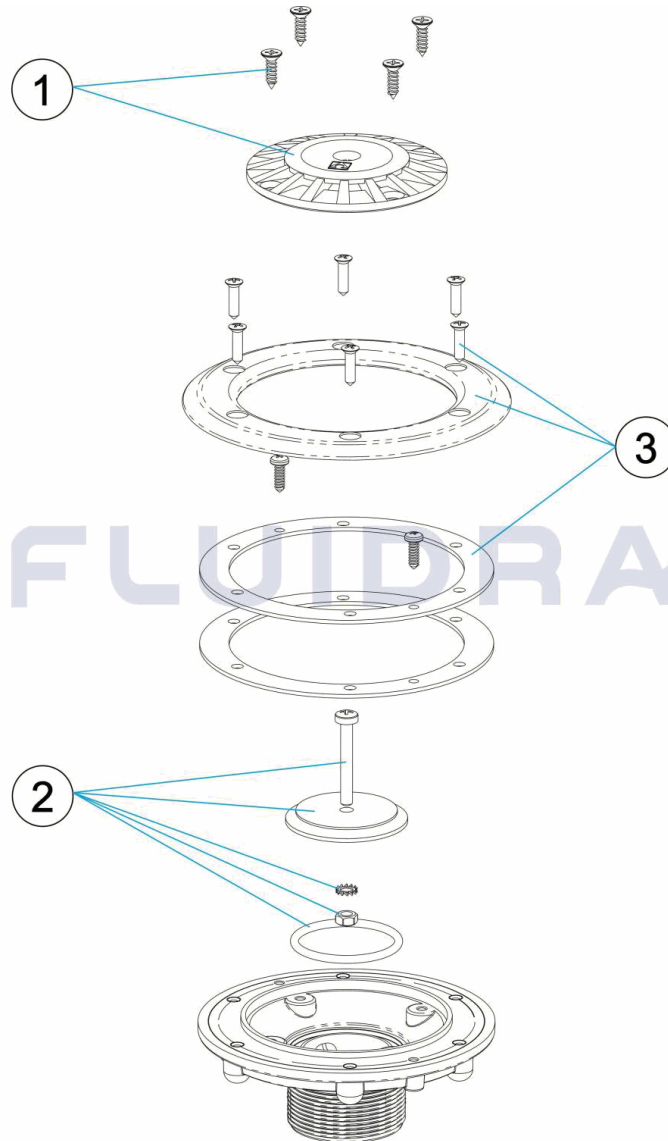
DESCRIÇÃO: BOQUILHA DE FUNDO LINER

OBSERVAÇÕES

POS	CODIGO	OBSERVAÇÕES
1	4402042203	PARA: 00340 BLANCO / WHITE
1	4402040046	PARA: 00340CL090 BEIGE
1	4402040069	PARA: 00340CL129 GRIS / GREY
1	4402040070	PARA: 00340CL144 ANTRACITA / ANTHRACITE
3	4402042201	PARA: 00340 BLANCO / WHITE
3	4402040047	PARA: 00340CL090 BEIGE
3	4402040071	PARA: 00340CL129 GRIS / GREY
3	4402040072	PARA: 00340CL144 ANTRACITA / ANTHRACITE

CODIGO 00340, 00340CL090, 00340CL129, 00340CL144

DESCRIPCION: **BOQUILLA DE FONDO LINER**



ESPAÑOL

POS	CODIGO	DESCRIPCION	POS	CODIGO	DESCRIPCION
1	* CE02042203	TAPETA SUPERIOR BOQUILLA	3	* CE02042201	BRIDA BOQUILLA
1	* CE02040046	TAPETA SUPERIOR BOQUILLA	3	* CE02040047	BRIDA BOQUILLA
1	* CE02040069	TAPETA SUPERIOR BOQUILLA	3	* CE02040071	BRIDA BOQUILLA
1	* CE02040070	TAPETA SUPERIOR BOQUILLA	3	* CE02040072	BRIDA BOQUILLA
2	CE02040801	TAPETA REGULADORA BOQUILLA			

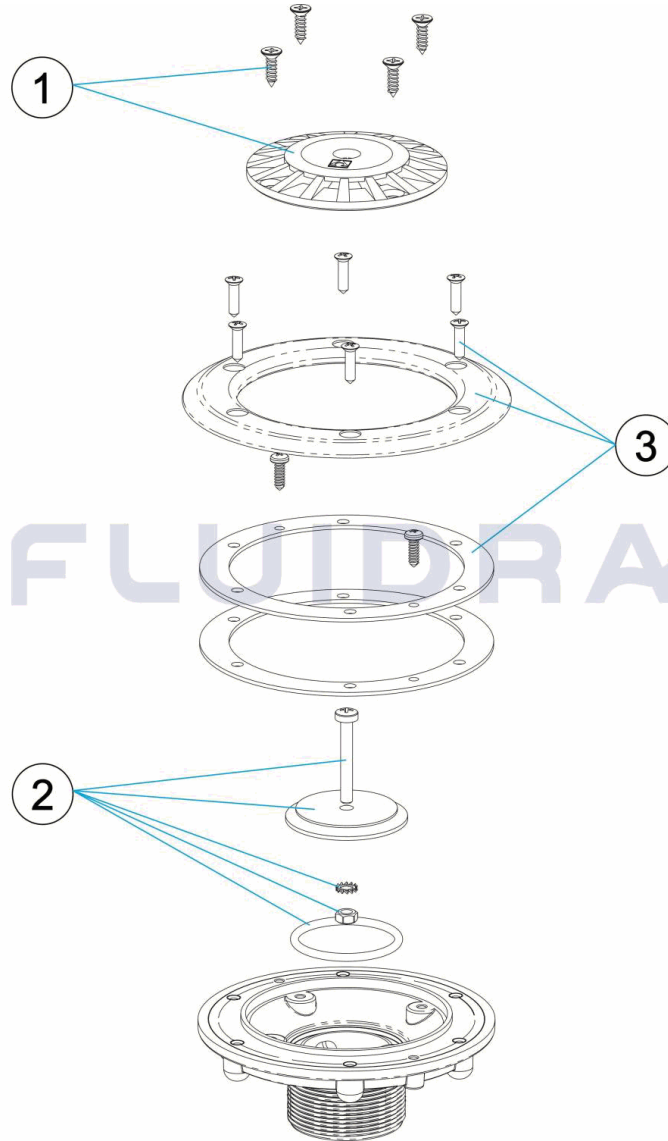
CODIGO **00340, 00340CL090, 00340CL129, 00340CL144**DESCRIPCION: **BOQUILLA DE FONDO LINER**

OBSERVACIONES

POS	CODIGO	OBSERVACIONES
1	CE02042203	PARA: 00340 BLANCO / WHITE
1	CE02040046	PARA: 00340CL090 BEIGE
1	CE02040069	PARA: 00340CL129 GRIS / GREY
1	CE02040070	PARA: 00340CL144 ANTRACITA / ANTHRACITE
3	CE02042201	PARA: 00340 BLANCO / WHITE
3	CE02040047	PARA: 00340CL090 BEIGE
3	CE02040071	PARA: 00340CL129 GRIS / GREY
3	CE02040072	PARA: 00340CL144 ANTRACITA / ANTHRACITE

CODE 00340, 00340CL090, 00340CL129, 00340CL144

DESCRIPTION: BUSE DE FOND LINER



FRANCAIS

POS	CODE	DESCRIPTION	POS	CODE	DESCRIPTION
1	* CE02042203	GRILLE	3	* CE02042201	BRIDE DE BOUCHE
1	* CE02040046	GRILLE	3	* CE02040047	BRIDE DE BOUCHE
1	* CE02040069	GRILLE	3	* CE02040071	BRIDE DE BOUCHE
1	* CE02040070	GRILLE	3	* CE02040072	BRIDE DE BOUCHE
2	CE02040801	DISQUE REGLAGE DEBIT			

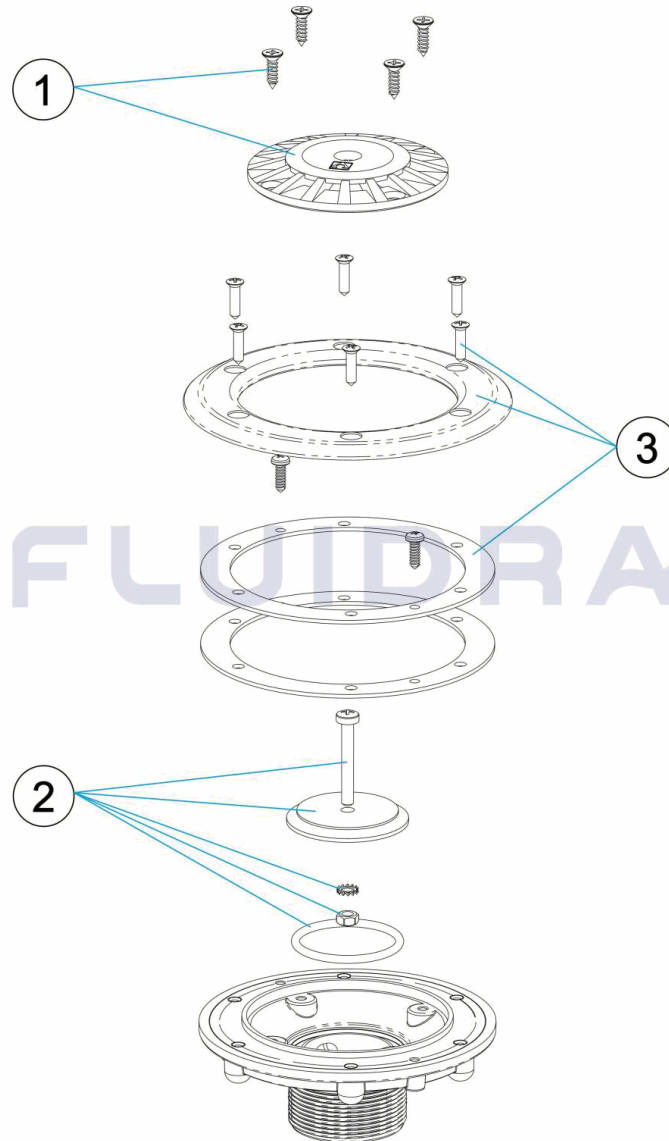
CODE **00340, 00340CL090, 00340CL129, 00340CL144**DESCRIPTION: **BUSE DE FOND LINER**

OBSERVATIONS

POS	CODE	OBSERVATIONS
1	CE02042203	POUR: 00340 BLANCO / WHITE
1	CE02040046	POUR: 00340CL090 BEIGE
1	CE02040069	POUR: 00340CL129 GRIS / GREY
1	CE02040070	POUR: 00340CL144 ANTRACITA / ANTHRACITE
3	CE02042201	POUR: 00340 BLANCO / WHITE
3	CE02040047	POUR: 00340CL090 BEIGE
3	CE02040071	POUR: 00340CL129 GRIS / GREY
3	CE02040072	POUR: 00340CL144 ANTRACITA / ANTHRACITE

CODE 00340, 00340CL090, 00340CL129, 00340CL144

DESCRIPTION: **BOTTOM NOZZLE LINER**



ENGLISH

POS	CODE	DESCRIPTION	POS	CODE	DESCRIPTION
1	* CE02042203	INLET DIFFUSER PLATE	3	* CE02042201	INLET FLANGE
1	* CE02040046	INLET DIFFUSER PLATE	3	* CE02040047	INLET FLANGE
1	* CE02040069	INLET DIFFUSER PLATE	3	* CE02040071	INLET FLANGE
1	* CE02040070	INLET DIFFUSER PLATE	3	* CE02040072	INLET FLANGE
2	CE02040801	REGULATING DISC			

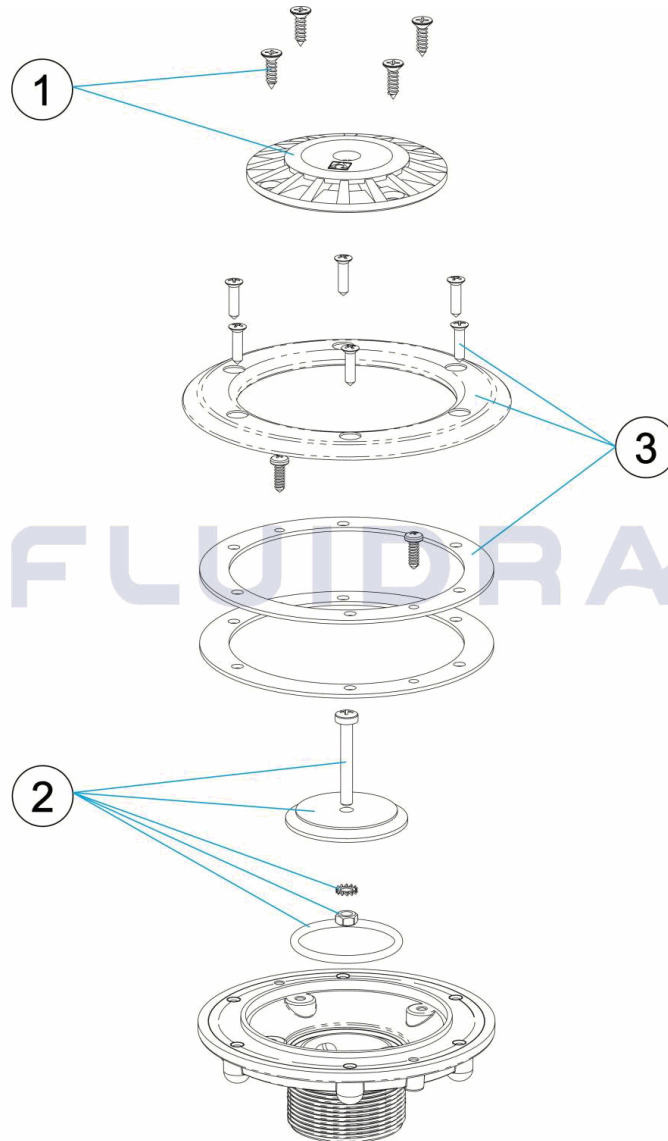
CODE **00340, 00340CL090, 00340CL129, 00340CL144**DESCRIPTION: **BOTTOM NOZZLE LINER**

OBSERVATIONS

POS	CODE	OBSERVATIONS
1	CE02042203	FOR: 00340 BLANCO / WHITE
1	CE02040046	FOR: 00340CL090 BEIGE
1	CE02040069	FOR: 00340CL129 GRIS / GREY
1	CE02040070	FOR: 00340CL144 ANTRACITA / ANTHRACITE
3	CE02042201	FOR: 00340 BLANCO / WHITE
3	CE02040047	FOR: 00340CL090 BEIGE
3	CE02040071	FOR: 00340CL129 GRIS / GREY
3	CE02040072	FOR: 00340CL144 ANTRACITA / ANTHRACITE

CODICE **00340, 00340CL090, 00340CL129, 00340CL144**

DESCRIZIONE: **BOCCHETTA DA FONDO LINER**



ITALIANO

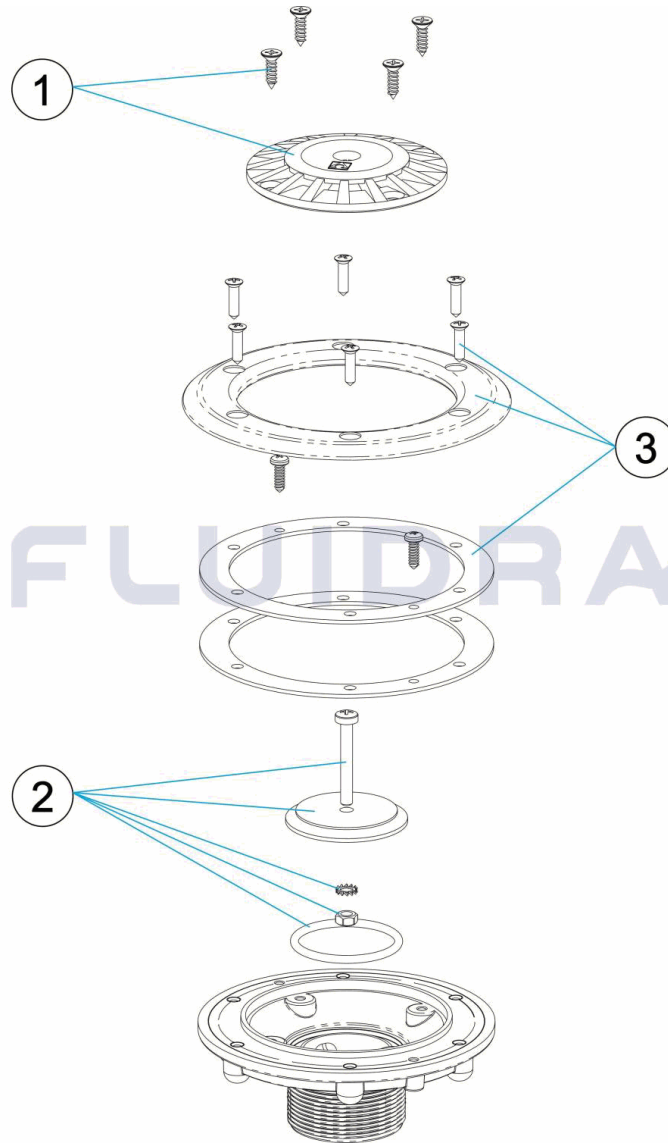
POS	CODICE	DESCRIZIONE	POS	CODICE	DESCRIZIONE
1	* CE02042203	COPERCHIO SUPERIORE	3	* CE02042201	FLANGIA BOCCHETTA
1	* CE02040046	COPERCHIO SUPERIORE	3	* CE02040047	FLANGIA BOCCHETTA
1	* CE02040069	COPERCHIO SUPERIORE	3	* CE02040071	FLANGIA BOCCHETTA
1	* CE02040070	COPERCHIO SUPERIORE	3	* CE02040072	FLANGIA BOCCHETTA
2	CE02040801	COPERCHIO REGOLAZIONE			

CODICE **00340, 00340CL090, 00340CL129, 00340CL144**DESCRIZIONE: **BOCCHETTA DA FONDO LINER****OSSERVAZIONI**

POS	CODICE	OSSERVAZIONI
1	CE02042203	PER: 00340 BLANCO / WHITE
1	CE02040046	PER: 00340CL090 BEIGE
1	CE02040069	PER: 00340CL129 GRIS / GREY
1	CE02040070	PER: 00340CL144 ANTRACITA / ANTHRACITE
3	CE02042201	PER: 00340 BLANCO / WHITE
3	CE02040047	PER: 00340CL090 BEIGE
3	CE02040071	PER: 00340CL129 GRIS / GREY
3	CE02040072	PER: 00340CL144 ANTRACITA / ANTHRACITE

CODE 00340, 00340CL090, 00340CL129, 00340CL144

BESCHREIBUNG: BODENDÜSE FOLIE



DEUTSCH

POS	CODE	BESCHREIBUNG	POS	CODE	BESCHREIBUNG
1	* CE02042203	ABSCHLUSSPLATTE OBEN DÜSE	3	* CE02042201	DÜSENFLANSCH
1	* CE02040046	ABSCHLUSSPLATTE OBEN DÜSE	3	* CE02040047	DÜSENFLANSCH
1	* CE02040069	ABSCHLUSSPLATTE OBEN DÜSE	3	* CE02040071	DÜSENFLANSCH
1	* CE02040070	ABSCHLUSSPLATTE OBEN DÜSE	3	* CE02040072	DÜSENFLANSCH
2	CE02040801	REGULIERPLATTE DÜSE			

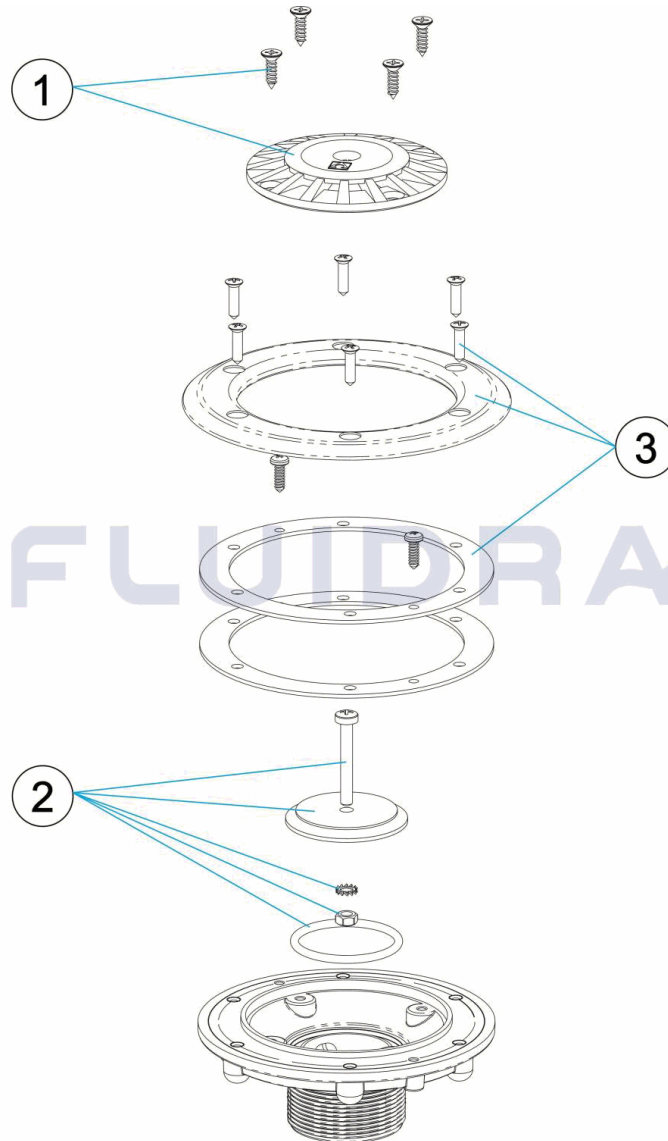
CODE **00340, 00340CL090, 00340CL129, 00340CL144**BESCHREIBUNG: **BODENDÜSE FOLIE**

HINWEISE

POS	CODE	HINWEISE
1	CE02042203	FÜR: 00340 BLANCO / WHITE
1	CE02040046	FÜR: 00340CL090 BEIGE
1	CE02040069	FÜR: 00340CL129 GRIS / GREY
1	CE02040070	FÜR: 00340CL144 ANTRACITA / ANTHRACITE
3	CE02042201	FÜR: 00340 BLANCO / WHITE
3	CE02040047	FÜR: 00340CL090 BEIGE
3	CE02040071	FÜR: 00340CL129 GRIS / GREY
3	CE02040072	FÜR: 00340CL144 ANTRACITA / ANTHRACITE

CODIGO 00340, 00340CL090, 00340CL129, 00340CL144

DESCRIÇÃO: **BOQUILHA DE FUNDO LINER**



PORTUGUES

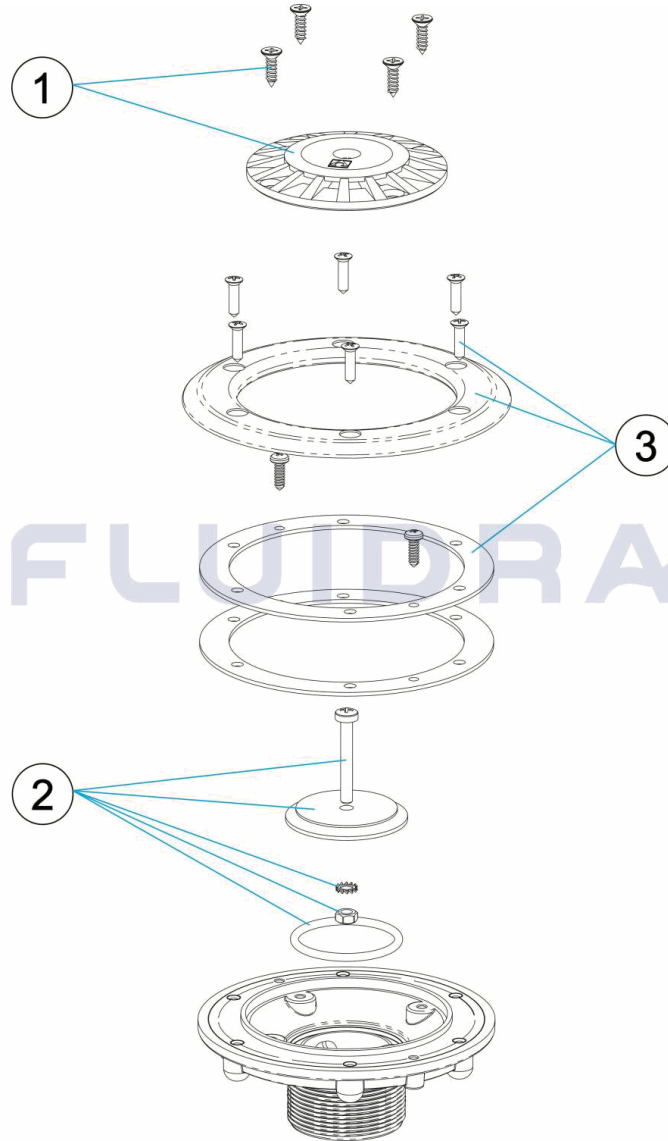
POS	CODIGO	DESCRIÇÃO	POS	CODIGO	DESCRIÇÃO
1	* CE02042203	TAMPA SUPERIOR BOCA	3	* CE02042201	FLANGE BOCA
1	* CE02040046	TAMPA SUPERIOR BOCA	3	* CE02040047	FLANGE BOCA
1	* CE02040069	TAMPA SUPERIOR BOCA	3	* CE02040071	FLANGE BOCA
1	* CE02040070	TAMPA SUPERIOR BOCA	3	* CE02040072	FLANGE BOCA
2	CE02040801	TAMPA REGULADORA BOCA			

CODIGO **00340, 00340CL090, 00340CL129, 00340CL144**DESCRIÇÃO: **BOQUILHA DE FUNDO LINER****OBSERVACÕES**

POS	CODIGO	OBSERVACÕES
1	CE02042203	PARA: 00340 BLANCO / WHITE
1	CE02040046	PARA: 00340CL090 BEIGE
1	CE02040069	PARA: 00340CL129 GRIS / GREY
1	CE02040070	PARA: 00340CL144 ANTRACITA / ANTHRACITE
3	CE02042201	PARA: 00340 BLANCO / WHITE
3	CE02040047	PARA: 00340CL090 BEIGE
3	CE02040071	PARA: 00340CL129 GRIS / GREY
3	CE02040072	PARA: 00340CL144 ANTRACITA / ANTHRACITE

CODIGO 00340, 00340CL090, 00340CL129, 00340CL144

DESCRIPCION: BOQUILLA DE FONDO LINER



ESPAÑOL

POS	CODIGO	DESCRIPCION	POS	CODIGO	DESCRIPCION
1	* 4402042203	TAPETA SUPERIOR BOQUILLA	3	* 4402042201	BRIDA BOQUILLA
1	* 4402040046	TAPETA SUPERIOR BOQUILLA	3	* 4402040047	BRIDA BOQUILLA
1	* 4402040069	TAPETA SUPERIOR BOQUILLA	3	* 4402040071	BRIDA BOQUILLA
1	* 4402040070	TAPETA SUPERIOR BOQUILLA	3	* 4402040072	BRIDA BOQUILLA
2	4402040801	TAPETA REGULADORA BOQUILLA			

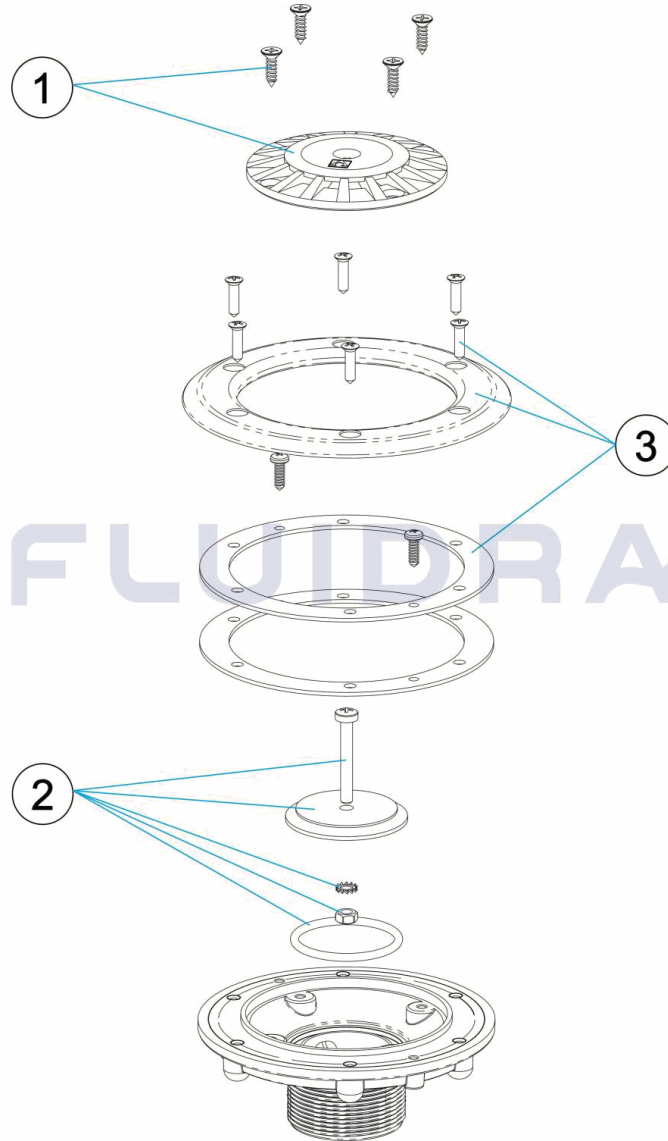
CODIGO **00340, 00340CL090, 00340CL129, 00340CL144**DESCRIPCION: **BOQUILLA DE FONDO LINER**

OBSERVACIONES

POS	CODIGO	OBSERVACIONES
1	4402042203	PARA: 00340 BLANCO / WHITE
1	4402040046	PARA: 00340CL090 BEIGE
1	4402040069	PARA: 00340CL129 GRIS / GREY
1	4402040070	PARA: 00340CL144 ANTRACITA / ANTHRACITE
3	4402042201	PARA: 00340 BLANCO / WHITE
3	4402040047	PARA: 00340CL090 BEIGE
3	4402040071	PARA: 00340CL129 GRIS / GREY
3	4402040072	PARA: 00340CL144 ANTRACITA / ANTHRACITE

CODE 00340, 00340CL090, 00340CL129, 00340CL144

DESCRIPTION: BUSE DE FOND LINER



FRANCAIS

POS	CODE	DESCRIPTION	POS	CODE	DESCRIPTION
1	* 4402042203	GRILLE	3	* 4402042201	BRIDE DE BOUCHE
1	* 4402040046	GRILLE	3	* 4402040047	BRIDE DE BOUCHE
1	* 4402040069	GRILLE	3	* 4402040071	BRIDE DE BOUCHE
1	* 4402040070	GRILLE	3	* 4402040072	BRIDE DE BOUCHE
2	4402040801	DISQUE REGLAGE DEBIT			

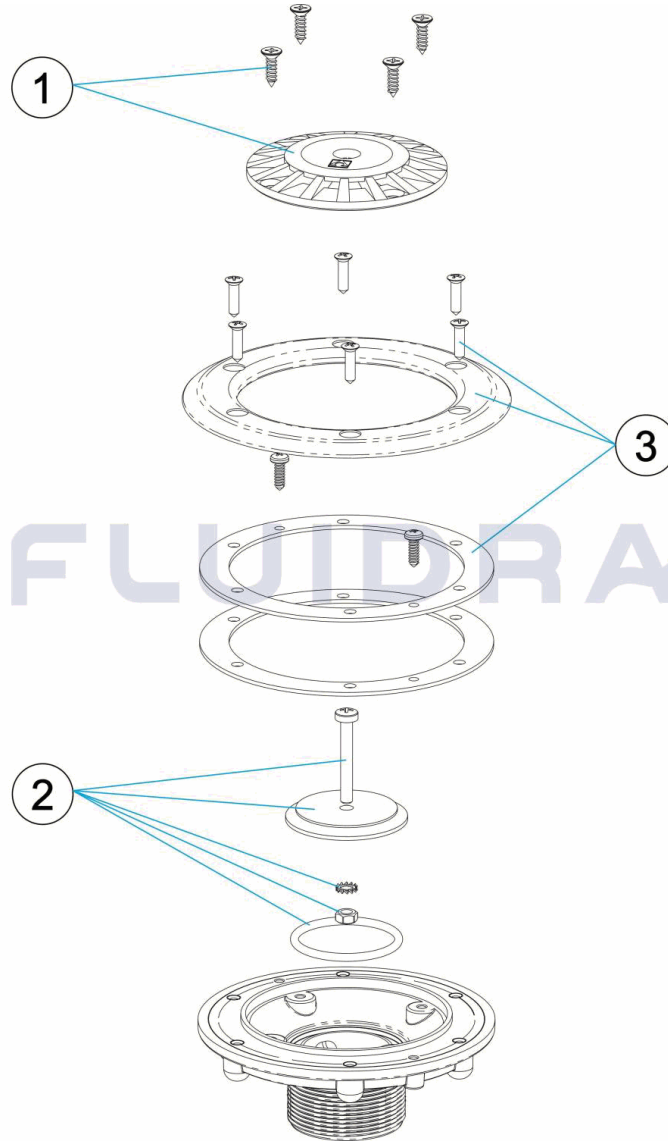
CODE **00340, 00340CL090, 00340CL129, 00340CL144**DESCRIPTION: **BUSE DE FOND LINER**

OBSERVATIONS

POS	CODE	OBSERVATIONS
1	4402042203	POUR: 00340 BLANCO / WHITE
1	4402040046	POUR: 00340CL090 BEIGE
1	4402040069	POUR: 00340CL129 GRIS / GREY
1	4402040070	POUR: 00340CL144 ANTRACITA / ANTHRACITE
3	4402042201	POUR: 00340 BLANCO / WHITE
3	4402040047	POUR: 00340CL090 BEIGE
3	4402040071	POUR: 00340CL129 GRIS / GREY
3	4402040072	POUR: 00340CL144 ANTRACITA / ANTHRACITE

CODE 00340, 00340CL090, 00340CL129, 00340CL144

DESCRIPTION: **BOTTOM NOZZLE LINER**



ENGLISH

POS	CODE	DESCRIPTION	POS	CODE	DESCRIPTION
1	* 4402042203	INLET DIFFUSER PLATE	3	* 4402042201	INLET FLANGE
1	* 4402040046	INLET DIFFUSER PLATE	3	* 4402040047	INLET FLANGE
1	* 4402040069	INLET DIFFUSER PLATE	3	* 4402040071	INLET FLANGE
1	* 4402040070	INLET DIFFUSER PLATE	3	* 4402040072	INLET FLANGE
2	4402040801	REGULATING DISC			

CODE **00340, 00340CL090, 00340CL129, 00340CL144**DESCRIPTION: **BOTTOM NOZZLE LINER**

OBSERVATIONS

POS	CODE	OBSERVATIONS
1	4402042203	FOR: 00340 BLANCO / WHITE
1	4402040046	FOR: 00340CL090 BEIGE
1	4402040069	FOR: 00340CL129 GRIS / GREY
1	4402040070	FOR: 00340CL144 ANTRACITA / ANTHRACITE
3	4402042201	FOR: 00340 BLANCO / WHITE
3	4402040047	FOR: 00340CL090 BEIGE
3	4402040071	FOR: 00340CL129 GRIS / GREY
3	4402040072	FOR: 00340CL144 ANTRACITA / ANTHRACITE

CODICE 00340, 00340CL090, 00340CL129, 00340CL144

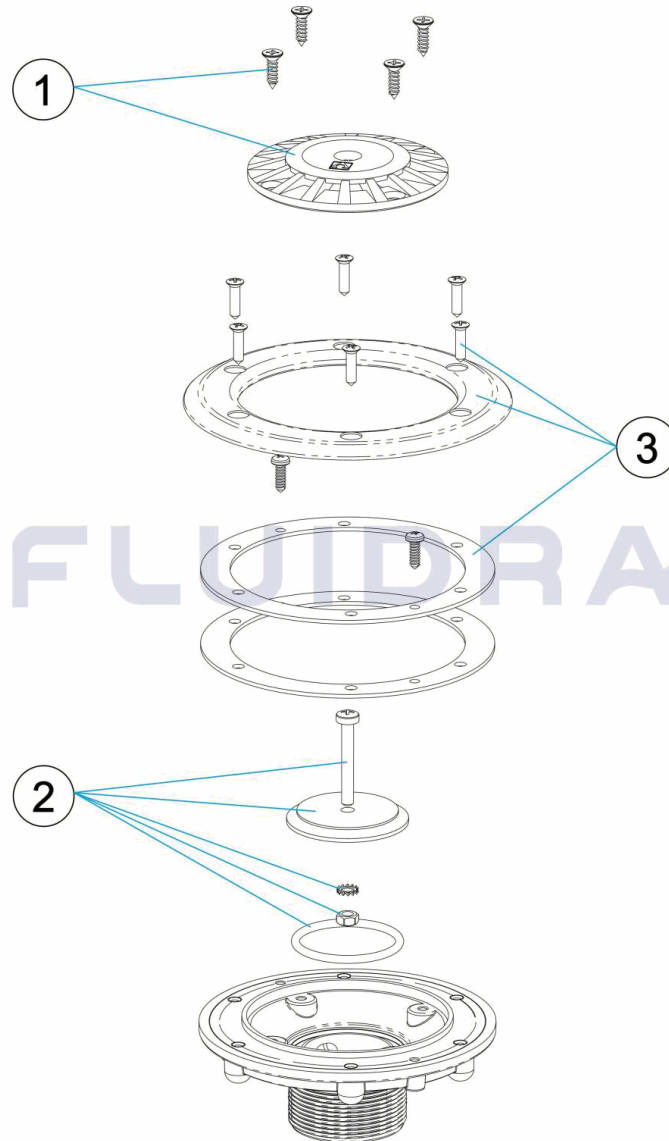
DESCRIZIONE: BOCCHETTA DA FONDO LINER

OSSERVAZIONI

POS	CODICE	OSSERVAZIONI
1	4402042203	PER: 00340 BLANCO / WHITE
1	4402040046	PER: 00340CL090 BEIGE
1	4402040069	PER: 00340CL129 GRIS / GREY
1	4402040070	PER: 00340CL144 ANTRACITA / ANTHRACITE
3	4402042201	PER: 00340 BLANCO / WHITE
3	4402040047	PER: 00340CL090 BEIGE
3	4402040071	PER: 00340CL129 GRIS / GREY
3	4402040072	PER: 00340CL144 ANTRACITA / ANTHRACITE

CODE 00340, 00340CL090, 00340CL129, 00340CL144

BESCHREIBUNG: BODENDÜSE FOLIE



DEUTSCH

POS	CODE	BESCHREIBUNG	POS	CODE	BESCHREIBUNG
1	* 4402042203	ABSCHLUSSPLATTE OBEN DÜSE	3	* 4402042201	DÜSENFLANSCH
1	* 4402040046	ABSCHLUSSPLATTE OBEN DÜSE	3	* 4402040047	DÜSENFLANSCH
1	* 4402040069	ABSCHLUSSPLATTE OBEN DÜSE	3	* 4402040071	DÜSENFLANSCH
1	* 4402040070	ABSCHLUSSPLATTE OBEN DÜSE	3	* 4402040072	DÜSENFLANSCH
2	4402040801	REGULIERPLATTE DÜSE			

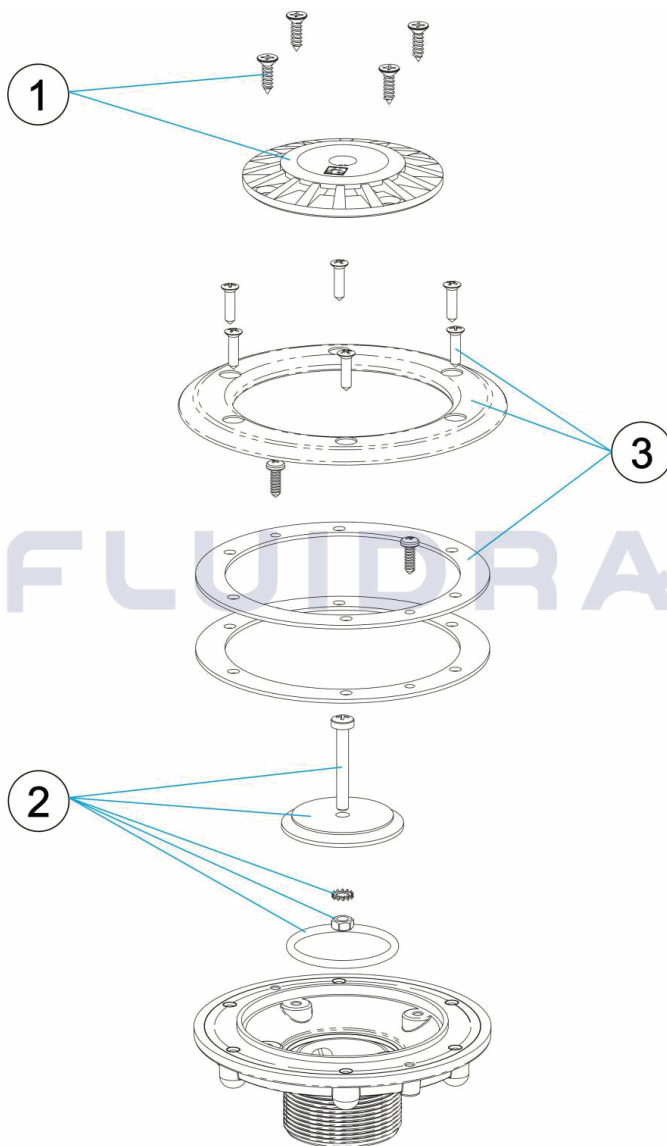
CODE **00340, 00340CL090, 00340CL129, 00340CL144**BESCHREIBUNG: **BODENDÜSE FOLIE**

HINWEISE

POS	CODE	HINWEISE
1	4402042203	FÜR: 00340 BLANCO / WHITE
1	4402040046	FÜR: 00340CL090 BEIGE
1	4402040069	FÜR: 00340CL129 GRIS / GREY
1	4402040070	FÜR: 00340CL144 ANTRACITA / ANTHRACITE
3	4402042201	FÜR: 00340 BLANCO / WHITE
3	4402040047	FÜR: 00340CL090 BEIGE
3	4402040071	FÜR: 00340CL129 GRIS / GREY
3	4402040072	FÜR: 00340CL144 ANTRACITA / ANTHRACITE

CODIGO **00340, 00340CL090, 00340CL129, 00340CL144**

DESCRIÇÃO: **BOQUILHA DE FUNDO LINER**



PORTUGUES

POS	CODIGO	DESCRIÇÃO	POS	CODIGO	DESCRIÇÃO
1	* 4402042203	TAMPA SUPERIOR BOCA	3	* 4402042201	FLANGE BOCA
1	* 4402040046	TAMPA SUPERIOR BOCA	3	* 4402040047	FLANGE BOCA
1	* 4402040069	TAMPA SUPERIOR BOCA	3	* 4402040071	FLANGE BOCA
1	* 4402040070	TAMPA SUPERIOR BOCA	3	* 4402040072	FLANGE BOCA
2	4402040801	TAMPA REGULADORA BOCA			

CODIGO **00340, 00340CL090, 00340CL129, 00340CL144**DESCRIÇÃO: **BOQUILHA DE FUNDO LINER****OBSERVACÕES**

POS	CODIGO	OBSERVACÕES
1	4402042203	PARA: 00340 BLANCO / WHITE
1	4402040046	PARA: 00340CL090 BEIGE
1	4402040069	PARA: 00340CL129 GRIS / GREY
1	4402040070	PARA: 00340CL144 ANTRACITA / ANTHRACITE
3	4402042201	PARA: 00340 BLANCO / WHITE
3	4402040047	PARA: 00340CL090 BEIGE
3	4402040071	PARA: 00340CL129 GRIS / GREY
3	4402040072	PARA: 00340CL144 ANTRACITA / ANTHRACITE