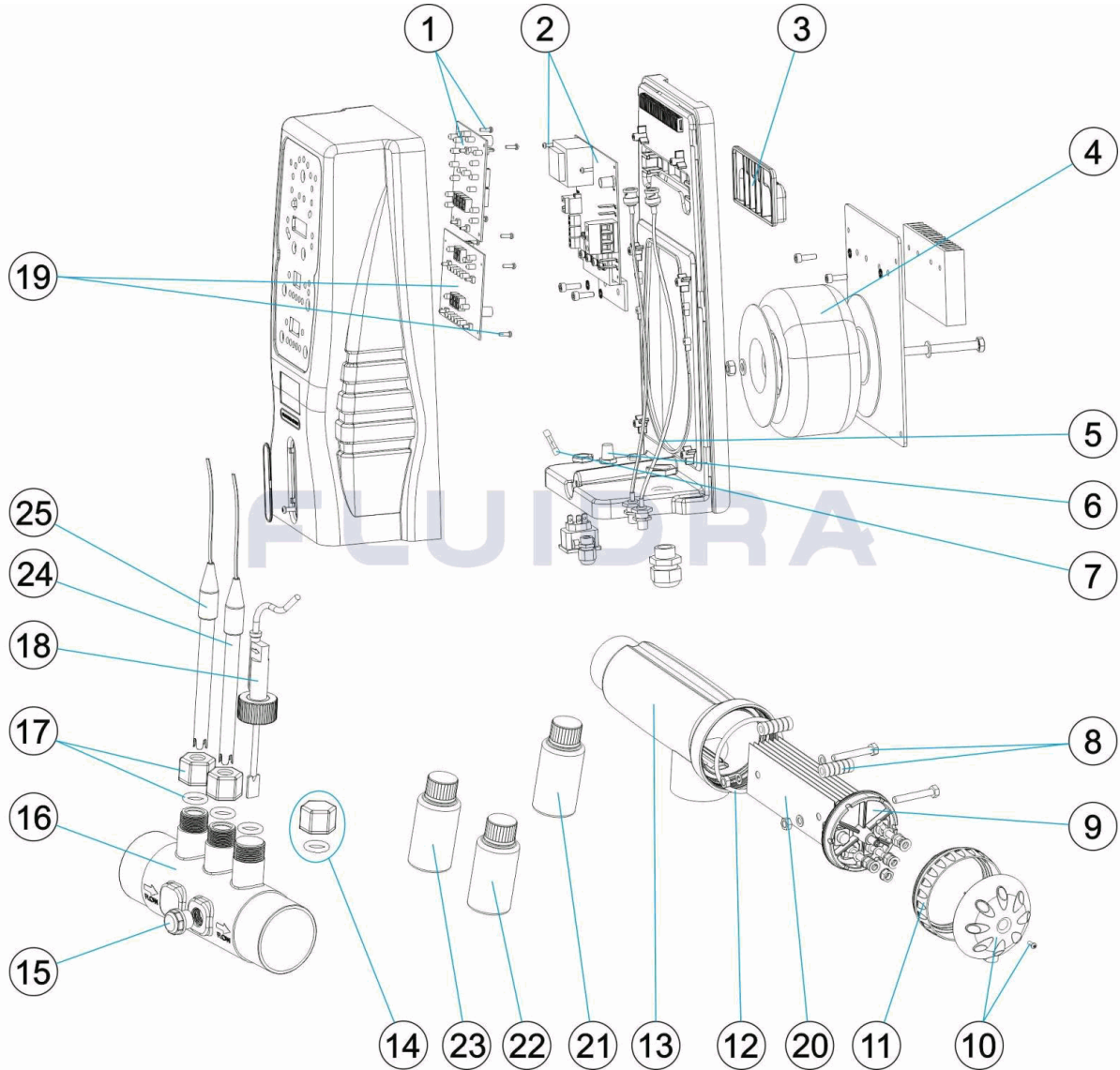


CODIGO **42353, 42353-AM, 42354, 42354-AM, 42355, 42355-AM**

DESCRIPCION: **SISTEMA ELECTROLISIS ELITE**



**ESPAÑOL**

POS	CODIGO	DESCRIPCION	CANTIDAD	POS	CODIGO	DESCRIPCION	CANTIDAD
1	4408041201	TARJETA VISUALIZ. ELECTROLISIS (SM+/EL)		5	4408070069	CONECTOR BCN	
2	* 4408041303	TARJETA POTENCIA AC-12 (PH/ORP)		6	4408040523	PORTAFUSIBLE 5X20 CHASIS	
2	* 4408040344	TARJETA POTENCIA AC-12 (PH/ORP) AGUA I		7	* 4408041113	FUSIBLE 2A	
2	* 4408041304	TARJETA POTENCIA AC-22 (PH/ORP)		7	* 4408041114	FUSIBLE 3A	
2	* 4408040347	TARJETA POTENCIA AC-22 (PH/ORP) AGUA I		7	* 4408041204	FUSIBLE 4A	
2	* 4408041305	TARJETA POTENCIA AC-30 (PH/ORP)		8	4408040073	KIT ANCLAJE ELECTRODOS DOMESTICO	
2	* 4408040350	TARJETA POTENCIA AC-30 (PH/ORP) AGUA I		9	4408040074	SOPORTE ELECTRODO ABIERTO SM/SM+	
3	4408041101	SOPORTE PARED CONTROLADOR		10	4408041117	TAPA PROTECCION CONTACTOS	
4	* 4408041106	TRANSFORMADOR 190 VA		11	4408041123	ANILLO ROSCADO CELULA	
4	* 4408040351	TRANSFORMADOR 160 VA AGUA DE MAR		12	4408041118	JUNTA TORICA CIERRE	
4	* 4408041107	TRANSFORMADOR 370 VA		13	4408041122	CUERPO CELULA	
4	* 4408040352	TRANSFORMADOR 310 VA AGUA DE MAR		14	4408040067	TAPON Sonda PH/ORP PORTASONDA	
4	* 4408041202	TRANSFORMADOR 480 VA		15	4408040075	TAPON PVC 3/8" PORTASOND "	

**\* VER HOJA DE OBSERVACIONES**

CODIGO **42353, 42353-AM, 42354, 42354-AM, 42355, 42355-AM**

DESCRIPCION: **SISTEMA ELECTROLISIS ELITE**

4	* 4408040353	TRANSFORMADOR 370 VA AGUA DE MAR	16	4408041306	PORTASONDAS
17	4408041310	RACOR INSERCIÓN SONDA 12M/M.-1/2"	21	60618	TAMPON PH 7,0 50 M/L. (VERDE)
18	4408041211	FLUJOSTATO	22	60632	TAMPON PH 4,0 50 ML. (ROJO)
19	4408041312	TARJETA VISUALIZADORA ELECTROLISIS PI	23	60633	SOLUCION CALIBRACION 470MV.
20	* 60588	RECAMBIO ELECTRODO	24	60649	ELECTRODO ORP
20	* 60589	RECAMBIO ELECTRODO	25	60648	ELECTRODO COMBINADO PH
20	* 60594	RECAMBIO ELECTRODO			

**CODIGO**                    **42353, 42353-AM, 42354, 42354-AM, 42355, 42355-AM**

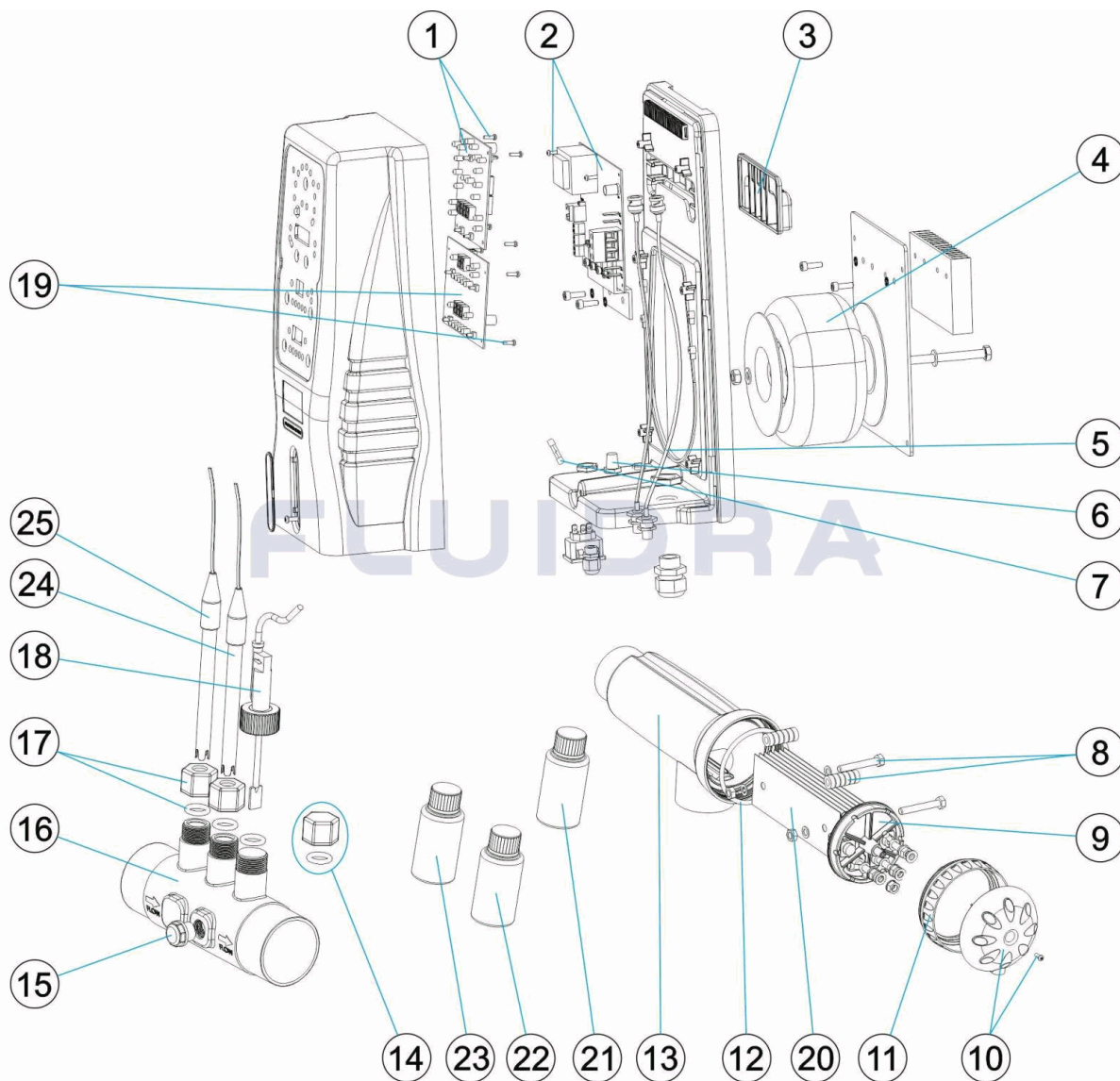
**DESCRIPCION: SISTEMA ELECTROLISIS ELITE**

### OBSERVACIONES

POS	CODIGO	OBSERVACIONES
2	4408041303	PARA: 42353
2	4408040344	PARA: 42353-AM
2	4408041304	PARA: 42354
2	4408040347	PARA: 42354-AM
2	4408041305	PARA: 42355
2	4408040350	PARA: 42355-AM
4	4408041106	PARA: 42353
4	4408040351	PARA: 42353-AM
4	4408041107	PARA: 42354
4	4408040352	PARA: 42354-AM
4	4408041202	PARA: 42355
4	4408040353	PARA: 42355-AM
7	4408041113	PARA: 42353, 42353-AM
7	4408041114	PARA: 42354, 42354-AM
7	4408041204	PARA: 42355, 42355-AM
20	60588	PARA: 42353, 42353-AM
20	60589	PARA: 42354, 42354-AM
20	60594	PARA: 42355, 42355-AM

CODE 42353, 42353-AM, 42354, 42354-AM, 42355, 42355-AM

DESCRIPTION: SYSTÈME ÉLECTROLYSE ELITE



FRANCAIS

POS	CODE	DESCRIPTION	QUANTITE	POS	CODE	DESCRIPTION	QUANTITE
1	4408041201	CARTE D'INDICATION (SM+/EL)		5	4408070069	CONNECTEUR BCN	
2	* 4408041303	CARTE PUISSANCE AC-12 (PH/ORP)		6	4408040523	PORTE-FUSIBLES 5X20 CHASSIS	
2	* 4408040344	CARTE PUISSANCE AC-12 (PH/ORP) EAU ME		7	* 4408041113	FUSIBLE 2A	
2	* 4408041304	CARTE PUISSANCE AC-22 (PH/ORP)		7	* 4408041114	FUSIBLE 3A	
2	* 4408040347	CARTE PUISSANCE AC-22 (PH/ORP) EAU ME		7	* 4408041204	FUSIBLE 4A	
2	* 4408041305	CARTE PUISSANCE AC-30 (PH/ORP)		8	4408040073	KIT ANCRAGE ÉLECTRODES KIT	
2	* 4408040350	CARTE PUISSANCE AC-30 (PH/ORP) EAU ME		9	4408040074	ÉLECTRODES DE RECHANGE SUPPORT C	
3	4408041101	BASE PAROI CONTRÔLEUR		10	4408041117	COUVERCLE PROTECTION CONTACTS	
4	* 4408041106	TRANSFORMATEUR PUISSANCE 190VA		11	4408041123	ANNEAU FILETÉ CELLULE	
4	* 4408040351	TRANSFORMATEUR 160VA EAU DE MER		12	4408041118	JOINT TORIQUE CELLULE	
4	* 4408041107	TRANSFORMATEUR PUISSANCE 370VA		13	4408041122	CORPS CELLULE	
4	* 4408040352	TRANSFORMATEUR 310VA EAU DE MER		14	4408040067	BOUCHON M-25 H	
4	* 4408041202	TRANSFORMATEUR PUISSANCE 480VA		15	4408040075	BOUCHON PVC 3/8"	

\* VOIR FICHE D'OBSERVATIONS

CODE **42353, 42353-AM, 42354, 42354-AM, 42355, 42355-AM**

DESCRIPTION: **SYSTÈME ÉLECTROLYSE ELITE**

4	* 4408040353	TRANSFORMATEUR 370VA EAU DE MER	16	4408041306	PORTE-SONDES
17	4408041310	CONNECTEUR 12MM. - 1/2"	21	60618	TAMPON PH 7,0 50 M/L. (VERT)
18	4408041211	CONTROLEUR DE DEBIT	22	60632	TAMPON PH 4,0 50 ML. (ROUGE)
19	4408041312	CARTE D'INDICATION PH/ORP	23	60633	SOLUTION CALIBRAGE 470 MV
20	* 60588	RECHANGE ÉLECTRODE	24	60649	ELECTRODE ORP
20	* 60589	RECHANGE ÉLECTRODE	25	60648	ELECTRODE COMBINÉE PH
20	* 60594	RECHANGE ÉLECTRODE			

CODE **42353, 42353-AM, 42354, 42354-AM, 42355, 42355-AM**

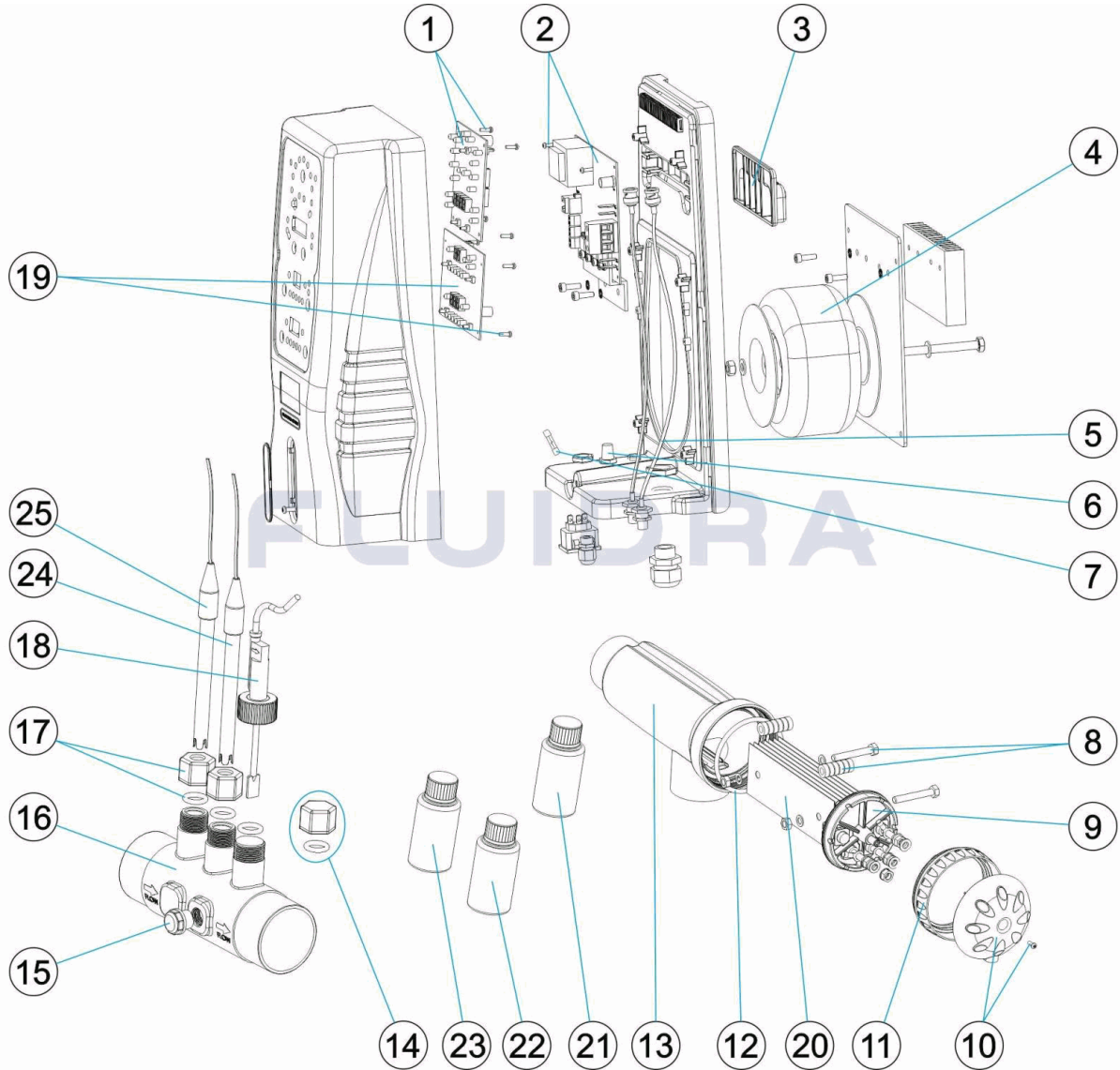
DESCRIPTION: **SYSTÈME ÉLECTROLYSE ELITE**

## OBSERVATIONS

POS	CODE	OBSERVATIONS
2	4408041303	POUR: 42353
2	4408040344	POUR: 42353-AM
2	4408041304	POUR: 42354
2	4408040347	POUR: 42354-AM
2	4408041305	POUR: 42355
2	4408040350	POUR: 42355-AM
4	4408041106	POUR: 42353
4	4408040351	POUR: 42353-AM
4	4408041107	POUR: 42354
4	4408040352	POUR: 42354-AM
4	4408041202	POUR: 42355
4	4408040353	POUR: 42355-AM
7	4408041113	POUR: 42353, 42353-AM
7	4408041114	POUR: 42354, 42354-AM
7	4408041204	POUR: 42355, 42355-AM
20	60588	POUR: 42353, 42353-AM
20	60589	POUR: 42354, 42354-AM
20	60594	POUR: 42355, 42355-AM

CODE **42353, 42353-AM, 42354, 42354-AM, 42355, 42355-AM**

DESCRIPTION: **ELITE ELECTROLYSIS SYSTEM**



**ENGLISH**

POS	CODE	DESCRIPTION	QUANTITY	POS	CODE	DESCRIPTION	QUANTITY
1	4408041201	DISPLAY/POWER CARD (SM+/EL)		5	4408070069	BCN CONNECTOR	
2	* 4408041303	POWER CARD AC-12 (PH/ORP)		6	4408040523	FUSE HOLDER 5X20	
2	* 4408040344	SEAWATER POWER CARD AC-12 (PH/ORP)		7	* 4408041113	FUSE 2A	
2	* 4408041304	POWER CARD AC-22 (PH/ORP)		7	* 4408041114	FUSE 3A	
2	* 4408040347	POWER CARD AC-22 (PH/ORP) SEAWATER		7	* 4408041204	FUSE 4A	
2	* 4408041305	POWER CARD AC-30 (PH/ORP)		8	4408040073	ELECTRODE FIXING KIT	
2	* 4408040350	SEAWATER POWER CARD AC-30 (PH/ORP)		9	4408040074	SM/SM+/EL ELECTRODE HOLDER	
3	4408041101	CONTROLLER WALL BASE		10	4408041117	CONTACT PROTECTION COVER	
4	* 4408041106	POWER TRANSFORMER 190 VA		11	4408041123	CELL THREADED RING	
4	* 4408040351	SEAWATER POWER TRANSFORMER 160 VA		12	4408041118	CELL O-RING	
4	* 4408041107	POWER TRANSFORMER 370 VA		13	4408041122	CELL BODY	
4	* 4408040352	SEAWATER POWER TRANSFORMER 310 VA		14	4408040067	PLUG M-25 H	
4	* 4408041202	POWER TRANSFORMER 480 VA		15	4408040075	PLUG PVC 3/8"	

**\* SEE OBSERVATIONS SHEET**

CODE **42353, 42353-AM, 42354, 42354-AM, 42355, 42355-AM**

DESCRIPTION: **ELITE ELECTROLYSIS SYSTEM**

4	* 4408040353	SEAWATER POWER TRANSFORMER 370 VA	16	4408041306	SENSOR HOLDER
17	4408041310	CONNECTOR 12M/M. - 1/2"	21	60618	CALIBRATION SOLUTION PH 7,0 50 M/L. (C
18	4408041211	FLOWSWITCH	22	60632	CALIBRATION SOLUTION PH 4,0 50 ML. (RI
19	4408041312	DISPLAY/POWER CARD PH/ORP	23	60633	CALIBRATION SOLUTION ORP 470 MV
20	* 60588	ELECTRODE SPARE	24	60649	ORP ELECTRODE
20	* 60589	ELECTRODE SPARE	25	60648	ELECTRODE PH
20	* 60594	ELECTRODE SPARE			



CODE **42353, 42353-AM, 42354, 42354-AM, 42355, 42355-AM**

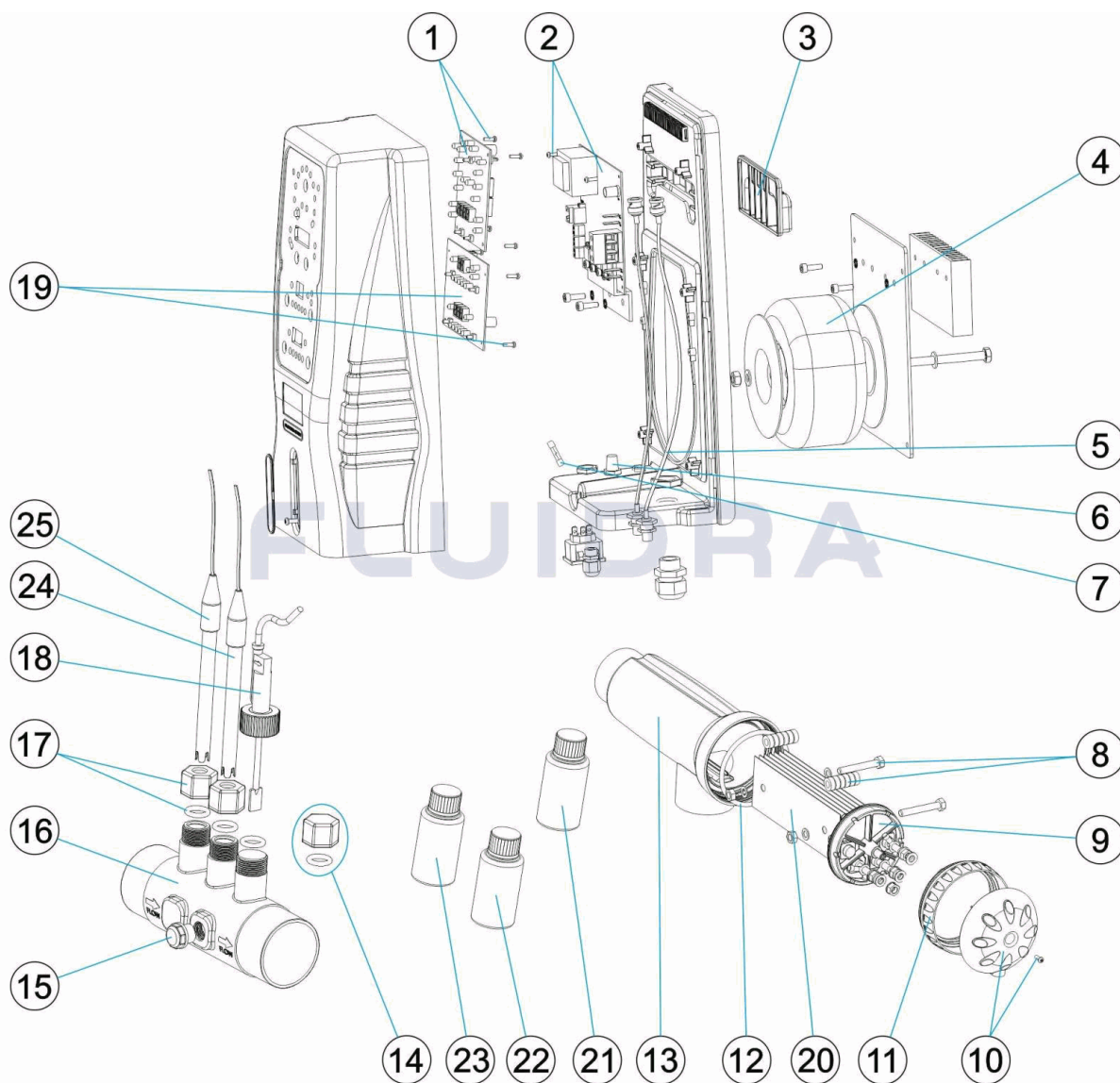
DESCRIPTION: **ELITE ELECTROLYSIS SYSTEM**

## OBSERVATIONS

POS	CODE	OBSERVATIONS
2	4408041303	FOR: 42353
2	4408040344	FOR: 42353-AM
2	4408041304	FOR: 42354
2	4408040347	FOR: 42354-AM
2	4408041305	FOR: 42355
2	4408040350	FOR: 42355-AM
4	4408041106	FOR: 42353
4	4408040351	FOR: 42353-AM
4	4408041107	FOR: 42354
4	4408040352	FOR: 42354-AM
4	4408041202	FOR: 42355
4	4408040353	FOR: 42355-AM
7	4408041113	FOR: 42353, 42353-AM
7	4408041114	FOR: 42354, 42354-AM
7	4408041204	FOR: 42355, 42355-AM
20	60588	FOR: 42353, 42353-AM
20	60589	FOR: 42354, 42354-AM
20	60594	FOR: 42355, 42355-AM

CODICE 42353, 42353-AM, 42354, 42354-AM, 42355, 42355-AM

DESCRIZIONE: SISTEMA ELECTROLISI ELITE



ITALIANO

POS	CODICE	DESCRIZIONE	QUANTITA'	POS	CODICE	DESCRIZIONE	QUANTITA'
1	4408041201	CARTA D'INDICAZIONE (SM+/EL)		5	4408070069	CONNETTORE BCN	
2	* 4408041303	CARTA POTENZA AC-12 (PH/ORP)		6	4408040523	PORTAFUSIBILI 5X20 CORPO	
2	* 4408040344	CARTA POTENZA AC-12 (PH/ORP) ACQUA M		7	* 4408041113	FUSIVILE 2A	
2	* 4408041304	CARTA POTENZA AC-22 (PH/ORP)		7	* 4408041114	FUSIVILE 3A	
2	* 4408040347	CARTA POTENZA AC-22 (PH/ORP) ACQUA M		7	* 4408041204	FUSIVILE 4A	
2	* 4408041305	CARTA POTENZA AC-30 (PH/ORP)		8	4408040073	ELETTRODI KIT ANCORAGGIO	
2	* 4408040350	CARTA POTENZA AC-30 (PH/ORP) ACQUA M		9	4408040074	ELETTRODI DI RICAMBIO RICHIESTA SOS'	
3	4408041101	BASE PARETE CONTROLLATORE		10	4408041117	COPERCHIO PROTEZIONE CONTATTI	
4	* 4408041106	TRANSFORMATORE POTENZA 190 VA		11	4408041123	ANELLO FILETTATO CELLA	
4	* 4408040351	TRANSFORMATORE 160 VA ACQUA DI MARE		12	4408041118	GIUNTA TORICA CELLULA	
4	* 4408041107	TRANSFORMATORE POTENZA 370 VA		13	4408041122	CORPO CELLULA	
4	* 4408040352	TRANSFORMATORE 310 VA ACQUA DI MARE		14	4408040067	TAPPO M-25 H	
4	* 4408041202	TRANSFORMATORE POTENZA 480 VA		15	4408040075	TAPPO PVC 3/8"	

\* SI FACCIA RIFERIMENTO AL FOGLIO DELLE OSSERVAZIONI

CODICE **42353, 42353-AM, 42354, 42354-AM, 42355, 42355-AM**

DESCRIZIONE: **SISTEMA ELECTROLISI ELITE**

4	* 4408040353	TRANSFORMATORE 370 VA ACQUA DI MARE	16	4408041306	PORTA-SONDE
17	4408041310	CONNETTORE 12M/M. - 1/2"	21	60618	SOLUZIONE TAMPONE PH 7,0 50 M/L. (VEI
18	4408041211	FLUSSOSTATO	22	60632	SOLUZIONE TAMPONE PH 4,0 50 ML. (RO
19	4408041312	CARTA D'INDICAZIONE PH/ORP	23	60633	SOLUZIONE CALIBRAZIONE 470MV.
20	* 60588	RECAMBIO ELETTRODO	24	60649	ELETTRODO RX
20	* 60589	RECAMBIO ELETTRODO	25	60648	ELETTRODO COMBINATO PH
20	* 60594	RECAMBIO ELETTRODO			

CODICE **42353, 42353-AM, 42354, 42354-AM, 42355, 42355-AM**

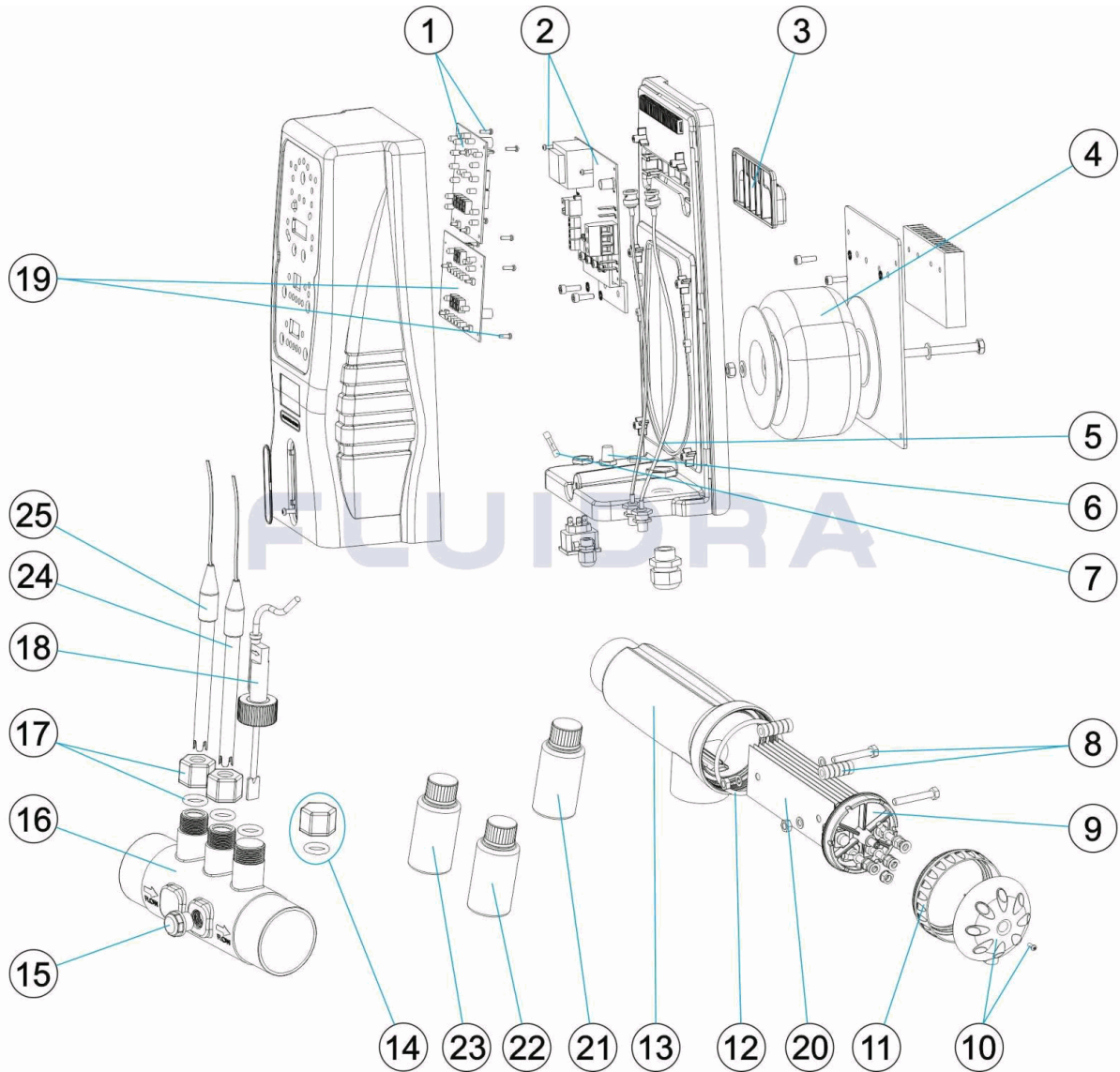
DESCRIZIONE: **SISTEMA ELECTROLISI ELITE**

## OSSERVAZIONI

POS	CODICE	OSSERVAZIONI
2	4408041303	PER: 42353
2	4408040344	PER: 42353-AM
2	4408041304	PER: 42354
2	4408040347	PER: 42354-AM
2	4408041305	PER: 42355
2	4408040350	PER: 42355-AM
4	4408041106	PER: 42353
4	4408040351	PER: 42353-AM
4	4408041107	PER: 42354
4	4408040352	PER: 42354-AM
4	4408041202	PER: 42355
4	4408040353	PER: 42355-AM
7	4408041113	PER: 42353, 42353-AM
7	4408041114	PER: 42354, 42354-AM
7	4408041204	PER: 42355, 42355-AM
20	60588	PER: 42353, 42353-AM
20	60589	PER: 42354, 42354-AM
20	60594	PER: 42355, 42355-AM

CODE 42353, 42353-AM, 42354, 42354-AM, 42355, 42355-AM

BESCHREIBUNG: ELEKTROLYTSYSTEM ELITE



DEUTSCH

POS	CODE	BESCHREIBUNG	MENGE	POS	CODE	BESCHREIBUNG	MENGE
1	4408041201	VISUALISIERPLATINE (SM+/EL)		5	4408070069	STECKKUPPLUNG BCN	
2	* 4408041303	LEISTUNGSPLATINE AC-12 (PH/ORP)		6	4408040523	SICHERUNGSSITZ 5 X 20 RAHMEN	
2	* 4408040344	LEISTUNGSPLATINE AC-12 (PH/ORP) MEERV		7	* 4408041113	SICHERUNG 2 A	
2	* 4408041304	LEISTUNGSPLATINE AC-22 (PH/ORP)		7	* 4408041114	SICHERUNG 3 A	
2	* 4408040347	LEISTUNGSPLATINE AC-22 (PH/ORP) MEER'		7	* 4408041204	SICHERUNG 4 A	
2	* 4408041305	LEISTUNGSPLATINE AC-30 (PH/ORP)		8	4408040073	KIT VERANKERUNG ELEKTRODEN	
2	* 4408040350	LEISTUNGSPLATINE AC-30 (PH/ORP) MEER'		9	4408040074	HALTERUNG ELEKTRODE OFFEN SM / SM	
3	4408041101	WANDHALTERUNG STEUERUNG		10	4408041117	SICHERHEITABSCHUTZ KONTAKTE	
4	* 4408041106	TRAFO 190 VA		11	4408041123	GEWINDERING ZELLE	
4	* 4408040351	TRAFO MEERWASSER 160 VA		12	4408041118	SCHLIESSRING	
4	* 4408041107	TRAFO 370 VA		13	4408041122	GEHÄUSE ZELLE	
4	* 4408040352	TRAFO MEERWASSER 310 VA		14	4408040067	STOPFEN PH/OPR-SONDE SONDENHALTE	
4	* 4408041202	TRAFO 480 VA		15	4408040075	STOPFEN PVC 3/8" SONDENHALTERUN "	

\* SIEHE ANMERKUNGSBLATT

CODE **42353, 42353-AM, 42354, 42354-AM, 42355, 42355-AM**

BESCHREIBUNG: **ELEKTROLYTSYSTEM ELITE**

4	* 4408040353	TRAFO MEERWASSER 370 VA	16	4408041306	SONDENHALTERUNG
17	4408041310	GEWINDESTÜCK SONDE 12 MM - 1/2"	21	60618	PUFFER PH 7,0 50 M/L (GRÜN)
18	4408041211	DURCHFLUSSMESSER	22	60632	PUFFER PH 4,0 50 ML (ROT)
19	4408041312	BILDSCHIRM ELEKTROLYSE PH/ORP	23	60633	KALIBRIERLÖSUNG 47 0MV
20	* 60588	ERSATZTEIL ELEKTRODE	24	60649	ORP-ELEKTRODE
20	* 60589	ERSATZTEIL ELEKTRODE	25	60648	ELEKTRODE KOMBINIERT PH
20	* 60594	ERSATZTEIL ELEKTRODE			

CODE **42353, 42353-AM, 42354, 42354-AM, 42355, 42355-AM**

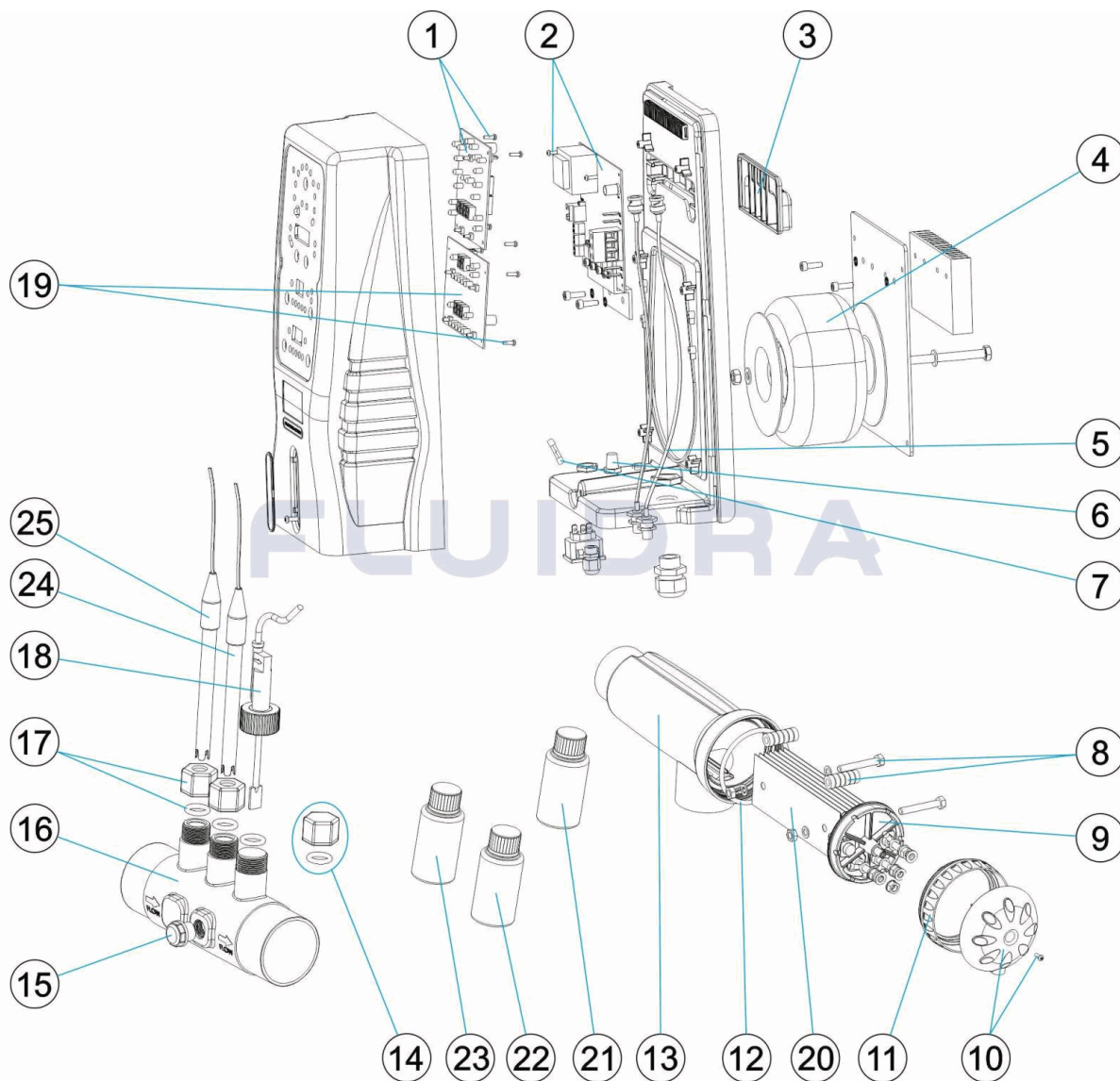
BESCHREIBUNG: **ELEKTROLYTSYSTEM ELITE**

## HINWEISE

POS	CODE	HINWEISE
2	4408041303	FÜR: 42353
2	4408040344	FÜR: 42353-AM
2	4408041304	FÜR: 42354
2	4408040347	FÜR: 42354-AM
2	4408041305	FÜR: 42355
2	4408040350	FÜR: 42355-AM
4	4408041106	FÜR: 42353
4	4408040351	FÜR: 42353-AM
4	4408041107	FÜR: 42354
4	4408040352	FÜR: 42354-AM
4	4408041202	FÜR: 42355
4	4408040353	FÜR: 42355-AM
7	4408041113	FÜR: 42353, 42353-AM
7	4408041114	FÜR: 42354, 42354-AM
7	4408041204	FÜR: 42355, 42355-AM
20	60588	FÜR: 42353, 42353-AM
20	60589	FÜR: 42354, 42354-AM
20	60594	FÜR: 42355, 42355-AM

CODIGO **42353, 42353-AM, 42354, 42354-AM, 42355, 42355-AM**

DESCRIÇÃO: **SISTEMA ELECTRÓLISE ELITE**



**PORTUGUES**

POS	CODIGO	DESCRIÇÃO	QUANTIDADE	POS	CODIGO	DESCRIÇÃO	QUANTIDADE
1	4408041201	TARJETA INDICAÇÃO (SM+/EL)		5	4408070069	LIGAÇÃO BCN	
2	* 4408041303	TARJETA POTÊNCIA AC-12 (PH/ORP)		6	4408040523	PORTAFUSIVEIS 5X20 CHASIS	
2	* 4408040344	TARJETA POTÊNCIA AC-12 (PH/ORP) AGUA I		7	* 4408041113	FUSÍVEL 2A	
2	* 4408041304	TARJETA POTÊNCIA AC-22 (PH/ORP)		7	* 4408041114	FUSÍVEL 3A	
2	* 4408040347	TARJETA POTÊNCIA AC-22 (PH/ORP) AGUA I		7	* 4408041204	FUSÍVEL 4A	
2	* 4408041305	TARJETA POTÊNCIA AC-30 (PH/ORP)		8	4408040073	KIT ÂNCORA ELETRODOS KIT	
2	* 4408040350	TARJETA POTÊNCIA AC-30 (PH/ORP) AGUA I		9	4408040074	ELETRODOS DE REPOSIÇÃO APOIO ABEF	
3	4408041101	BASE PAREDE CONTROLADOR		10	4408041117	TAMPA PROTECÇÃO CONTACTOS	
4	* 4408041106	TRANSFORMADOR POTÊNCIA 190VA		11	4408041123	ANEL ROSQUEADO CÉLULA	
4	* 4408040351	TRANSFORMADOR 160VA AGUA DO MAR		12	4408041118	JUNTA TÓRICA CÉLULA	
4	* 4408041107	TRANSFORMADOR POTÊNCIA 370VA		13	4408041122	CORPO CÉLULA	
4	* 4408040352	TRANSFORMADOR 310VA AGUA DO MAR		14	4408040067	TAMPÃO M-25 H	
4	* 4408041202	TRANSFORMADOR POTÊNCIA 480VA		15	4408040075	TAMPÃO PVC 3/8"	

**\* VEJA A FICHA DE OBSERVAÇÕES**



CODIGO **42353, 42353-AM, 42354, 42354-AM, 42355, 42355-AM**

DESCRIÇÃO: **SISTEMA ELECTRÓLISE ELITE**

4	* 4408040353	TRANSFORMADOR 370VA AGUA DO MAR	16	4408041306	PORTA-SONDAS
17	4408041310	CONECTOR 12M/M. - 1/2"	21	60618	SOLUÇÃO TAMPÃO PH 7,0 50 ML. (VERDE
18	4408041211	FLUXO-ESTATO	22	60632	SOLUÇÃO TAMPÃO PH 4,0 50 ML. (VERME
19	4408041312	TARJETA INDICAÇÃO PH/ORP	23	60633	SOLUÇÃO TAMPÃO 470 MV
20	* 60588	SOBRESSALENTE ELÉCTRODO	24	60649	ELECTRODO ORP
20	* 60589	SOBRESSALENTE ELÉCTRODO	25	60648	ELECTRODO COMBINADO PH
20	* 60594	SOBRESSALENTE ELÉCTRODO			

**CODIGO**                    **42353, 42353-AM, 42354, 42354-AM, 42355, 42355-AM**

**DESCRIÇÃO: SISTEMA ELECTRÓLISE ELITE**

## OBSERVACÕES

POS	CODIGO	OBSERVACÕES
2	4408041303	PARA: 42353
2	4408040344	PARA: 42353-AM
2	4408041304	PARA: 42354
2	4408040347	PARA: 42354-AM
2	4408041305	PARA: 42355
2	4408040350	PARA: 42355-AM
4	4408041106	PARA: 42353
4	4408040351	PARA: 42353-AM
4	4408041107	PARA: 42354
4	4408040352	PARA: 42354-AM
4	4408041202	PARA: 42355
4	4408040353	PARA: 42355-AM
7	4408041113	PARA: 42353, 42353-AM
7	4408041114	PARA: 42354, 42354-AM
7	4408041204	PARA: 42355, 42355-AM
20	60588	PARA: 42353, 42353-AM
20	60589	PARA: 42354, 42354-AM
20	60594	PARA: 42355, 42355-AM