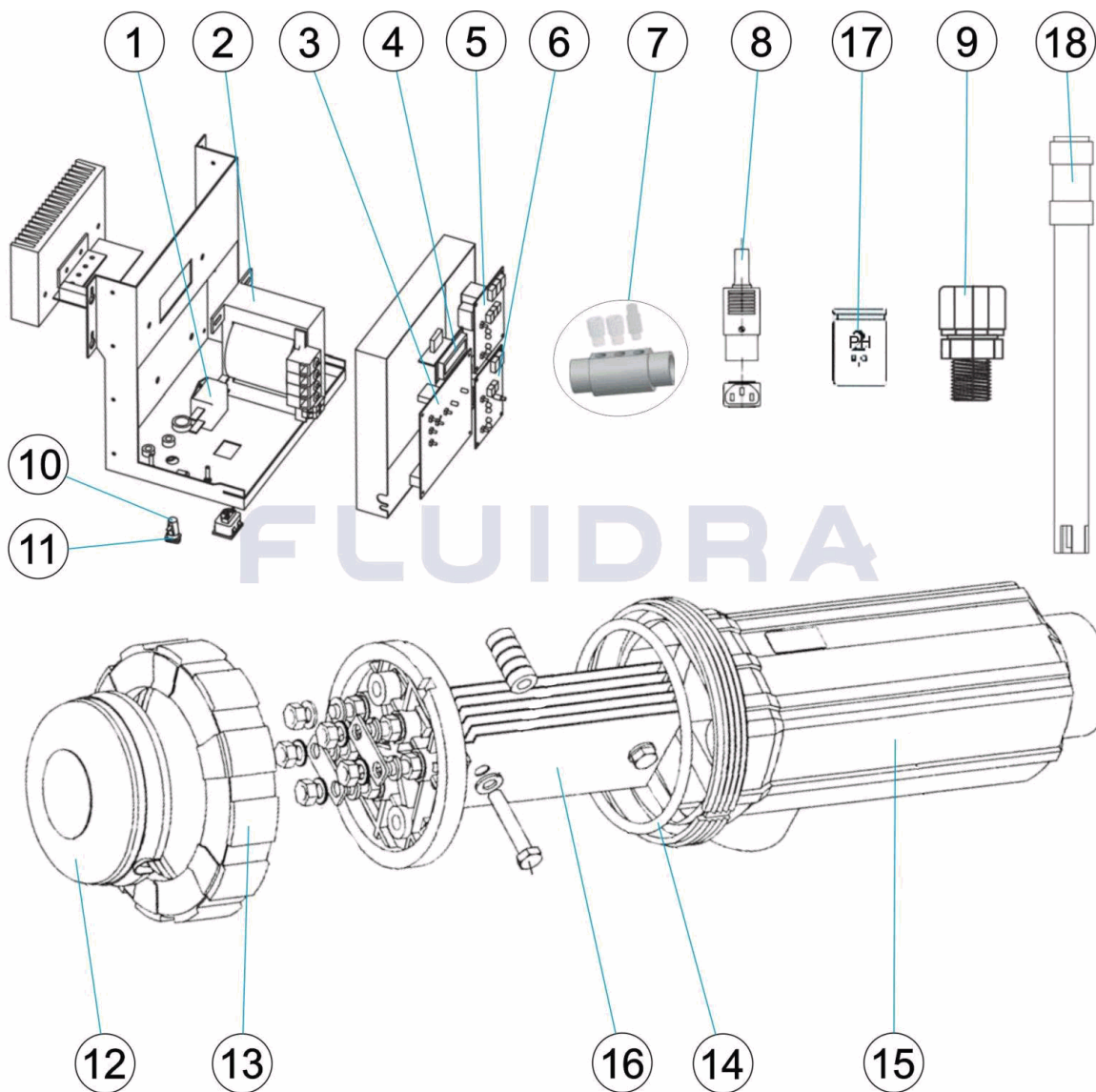


CODIGO **38782, 38783, 38784**

DESCRIPCION: **SISTEMA ELECTROLISIS SALINA PLUS GAMA PRIVADA**



ESPAÑOL

POS	CODIGO	DESCRIPCION	POS	CODIGO	DESCRIPCION
1	4408041021	FILTRO 230V A-65/A-120 EX/PLUS	11	4408041015	PORTAFUSIBLES 6X32 CHASIS
2	* 4408041007	TRANSFORMADOR POTENCIA A-10 PLUS	12	4408040509	PROTECTOR CONTACTOS
2	* 4408041008	TRANSFORMADOR POTENCIA A-18 PLUS	13	4408040508	TUERCA CIERRE CELULA
2	* 4408041009	TRANSFORMADOR POTENCIA A-25 PLUS	14	4408040510	JUNTA VASO EPDM.
3	* 4408041010	PBA CONTROL A-10 PLUS	15	57655	CELULA PORTA ELECTRODOS
3	* 4408041011	PBA CONTROL A-18 PLUS	16	* CLEL033	ELECTRODO AUTO-LIMPIANTE A-10 PLUS
3	* 4408041012	PBA CONTROL A-25 PLUS	16	* CLEL034	ELECTRODO AUTO-LIMPIANTE A-18 PLUS
4	4408041020	DISPLAY SISTEMA EX/PLUS	16	* CLEL035	ELECTRODO AUTO-LIMPIANTE A-25 PLUS
5	4408041019	PLACA CONTROL ORP	17	60618	TAMPON PH 7,0 50 M/L. (VERDE)
6	4408040602	PLACA CONTROL PH	17	60632	TAMPON PH 4,0 50 ML. (ROJO)
7	4408041018	PORTA-SONDAS DOBLE + PUNTO INYECCION INTE	17	60633	SOLUCION CALIBRACION 470MV.
8	4408040524	CONECTOR CEE22 PARA BOMBA DOSIFICADORA	18	60648	ELECTRODO COMBINADO PH
9	4408040604	PORTAELECTRODOS PE 12M/M-1/2"	18	60649	ELECTRODO ORP

*** -> VER HOJA DE OBSERVACIONES**

CODIGO **38782, 38783, 38784**DESCRIPCION: **SISTEMA ELECTROLISIS SALINA PLUS GAMA PRIVADA**

10	4408041014	FUSIBLE 6X32 2A.			
----	------------	------------------	--	--	--

CODIGO 38782, 38783, 38784

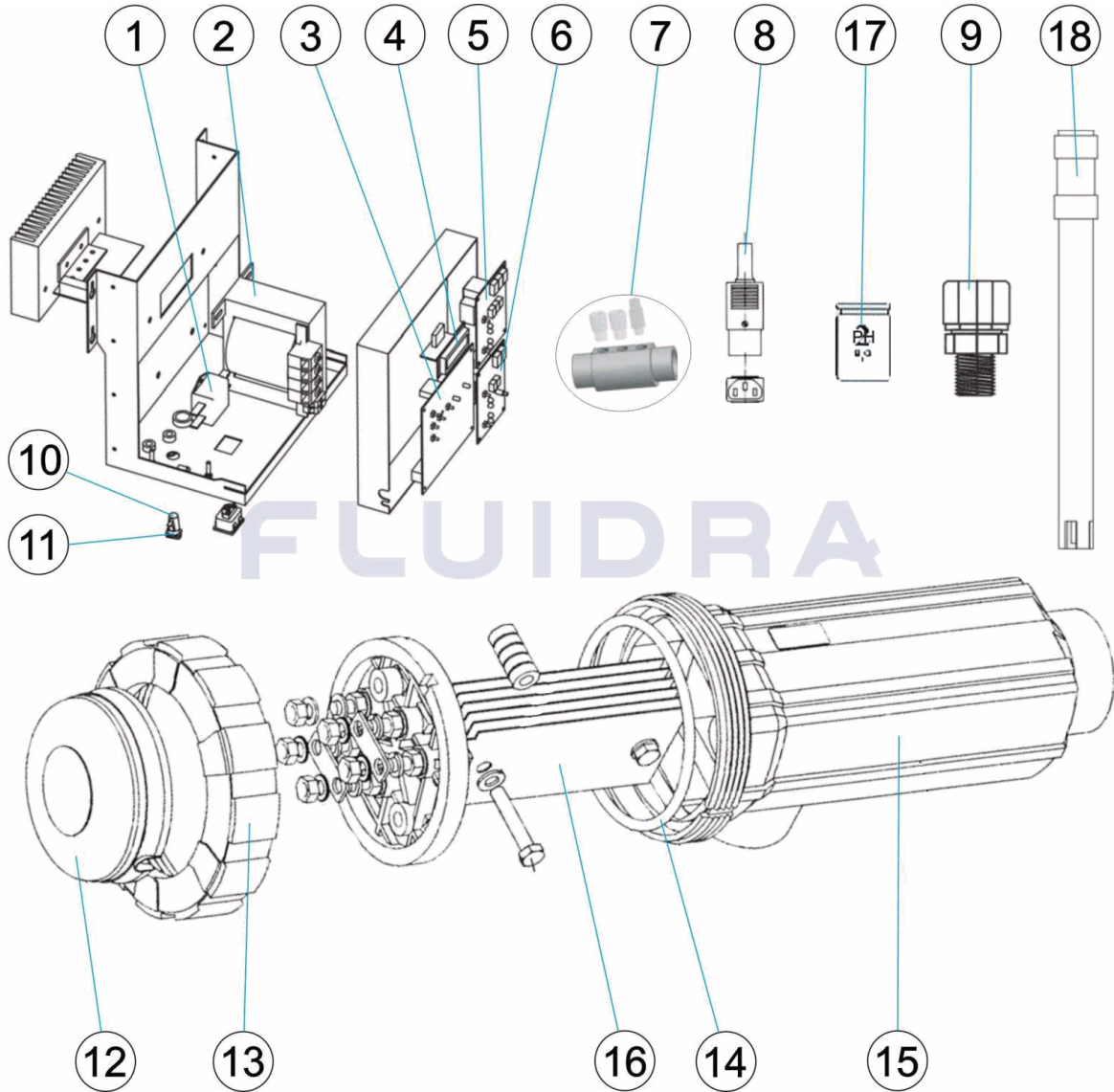
DESCRIPCION: SISTEMA ELECTROLISIS SALINA PLUS GAMA PRIVADA

OBSERVACIONES

POS	CODIGO	OBSERVACIONES
2	4408041007	PARA: 38782
2	4408041008	PARA: 38783
2	4408041009	PARA: 38784
3	4408041010	PARA: 38782
3	4408041011	PARA: 38783
3	4408041012	PARA: 38784
16	CLEL033	PARA: 38782
16	CLEL034	PARA: 38783
16	CLEL035	PARA: 38784

CODE 38782, 38783, 38784

DESCRIPTION: SYSTÈME ÉLECTROLYSE SALINE PLUS GAMME PRIVÉE



FRANCAIS

POS	CODE	DESCRIPTION	POS	CODE	DESCRIPTION
1	4408041021	FILTRE 230V A-65/A-120 EX/PLUS	11	4408041015	PORTE-FUSIBLES 6X32 CASSIS
2 *	4408041007	TRANSFORMATEUR A-10 PLUS	12	4408040509	PROTECTEUR CONTACTS
2 *	4408041008	TRANSFORMATEUR A-18 PLUS	13	4408040508	ECRU FERMETURE CELLULE
2 *	4408041009	TRANSFORMATEUR A-25 PLUS	14	4408040510	JOINT VASE EPDM
3 *	4408041010	PBA CONTRÔLE A-10 PLUS	15	57655	CELLULE PORTE-ÉLECTRODE
3 *	4408041011	PBA CONTRÔLE A-18 PLUS	16 *	CLEL033	ELECTRODE AUTO-NETTOYANTE A-10 PLUS
3 *	4408041012	PBA CONTRÔLE A-25 PLUS	16 *	CLEL034	ELECTRODE AUTO-NETTOYANTE A-18 PLUS
4	4408041020	SISTEME D'AFFICHAGE EX/PLUS	16 *	CLEL035	ELECTRODE AUTO-NETTOYANTE A-25 PLUS
5	4408041019	PLAQUE CONTRÔLE ORP	17	60618	TAMPON PH 7,0 50 M/L. (VERT)
6	4408040602	PLAQUE CONTRÔLE PH	17	60632	TAMPON PH 4,0 50 ML. (ROUGE)
7	4408041018	PORTE-SONDES DOUBLE + POINT D'INJECTION IN'	17	60633	SOLUTION CALIBRAGE 470 MV
8	4408040524	CONNECTEUR CEE22 POUR POMPE DOSEUSE	18	60648	ELECTRODE COMBINÉE PH
9	4408040604	PORTE-ÉLECTRODE PE 12M/M. 1/2"	18	60649	ELECTRODE ORP

* -> VOIR FICHE D'OBSERVATIONS

CODE **38782, 38783, 38784**DESCRIPTION: **SYSTÈME ÉLECTROLYSE SALINE PLUS GAMME PRIVÉE**

10	4408041014	FUSIBLE 6X32 2A.			
----	------------	------------------	--	--	--

CODE **38782, 38783, 38784**

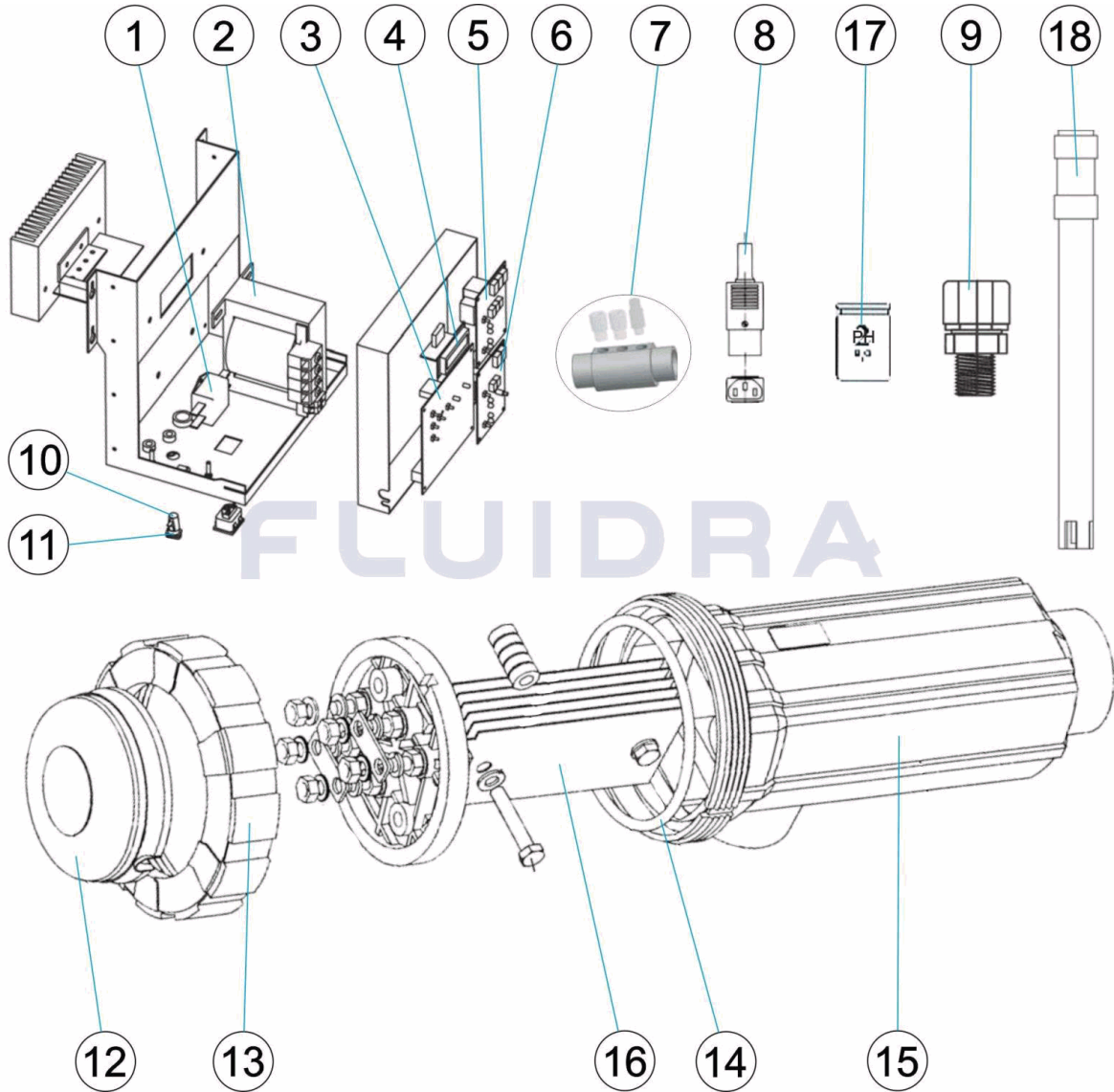
DESCRIPTION: **SYSTÈME ÉLECTROLYSE SALINE PLUS GAMME PRIVÉE**

OBSERVATIONS

POS	CODE	OBSERVATIONS
2	4408041007	POUR: 38782
2	4408041008	POUR: 38783
2	4408041009	POUR: 38784
3	4408041010	POUR: 38782
3	4408041011	POUR: 38783
3	4408041012	POUR: 38784
16	CLEL033	POUR: 38782
16	CLEL034	POUR: 38783
16	CLEL035	POUR: 38784

CODE **38782, 38783, 38784**

DESCRIPTION: **SALINE ELECTROLYSIS SYSTEM PLUS PRIVATE RANGE**



ENGLISH

POS	CODE	DESCRIPTION	POS	CODE	DESCRIPTION
1	4408041021	FILTER 230V A-65/A-120 EX/PLUS	11	4408041015	FUSE HOLDER 6X32
2	* 4408041007	POWER TRANSFORMER A-10 PLUS	12	4408040509	CONTAC PROTECTION
2	* 4408041008	POWER TRANSFORMER A-18 PLUS	13	4408040508	CLOSINGNUT FOR CELL
2	* 4408041009	POWER TRANSFORMER A-25 PLUS	14	4408040510	GASKET EPDM FÜR ZELLE
3	* 4408041010	PBA CONTROL A-10 PLUS	15	57655	ELECTRODE CELL
3	* 4408041011	PBA CONTROL A-18 PLUS	16	* CLEL033	ELECTRODE A-10 PLUS
3	* 4408041012	PBA CONTROL A-25 PLUS	16	* CLEL034	ELECTRODE A-18 PLUS
4	4408041020	DISPLAY EX/PLUS	16	* CLEL035	ELECTRODE A-25 PLUS
5	4408041019	ELECTRONIC CARD ORP	17	60618	CALIBRATION SOLUTION PH 7,0 50 M/L. (GREEN)
6	4408040602	ELECTRONIC CARD PH	17	60632	CALIBRATION SOLUTION PH 4,0 50 ML. (RED)
7	4408041018	PROBE CARRIERDOUBLE + INTEGRATED INJECTIO	17	60633	CALIBRATION SOLUTION ORP 470 MV
8	4408040524	CEE22 CONNECTOR PUMP	18	60648	ELECTRODE PH
9	4408040604	ELECTRODE CARRIER PE 12M/M.-1/2"	18	60649	ORP ELECTRODE

* -> SEE OBSERVATIONS SHEET

CODE **38782, 38783, 38784**

DESCRIPTION: **SALINE ELECTROLYSIS SYSTEM PLUS PRIVATE RANGE**

10	4408041014	FUSE 6X32 2A			
----	------------	--------------	--	--	--

CODE **38782, 38783, 38784**

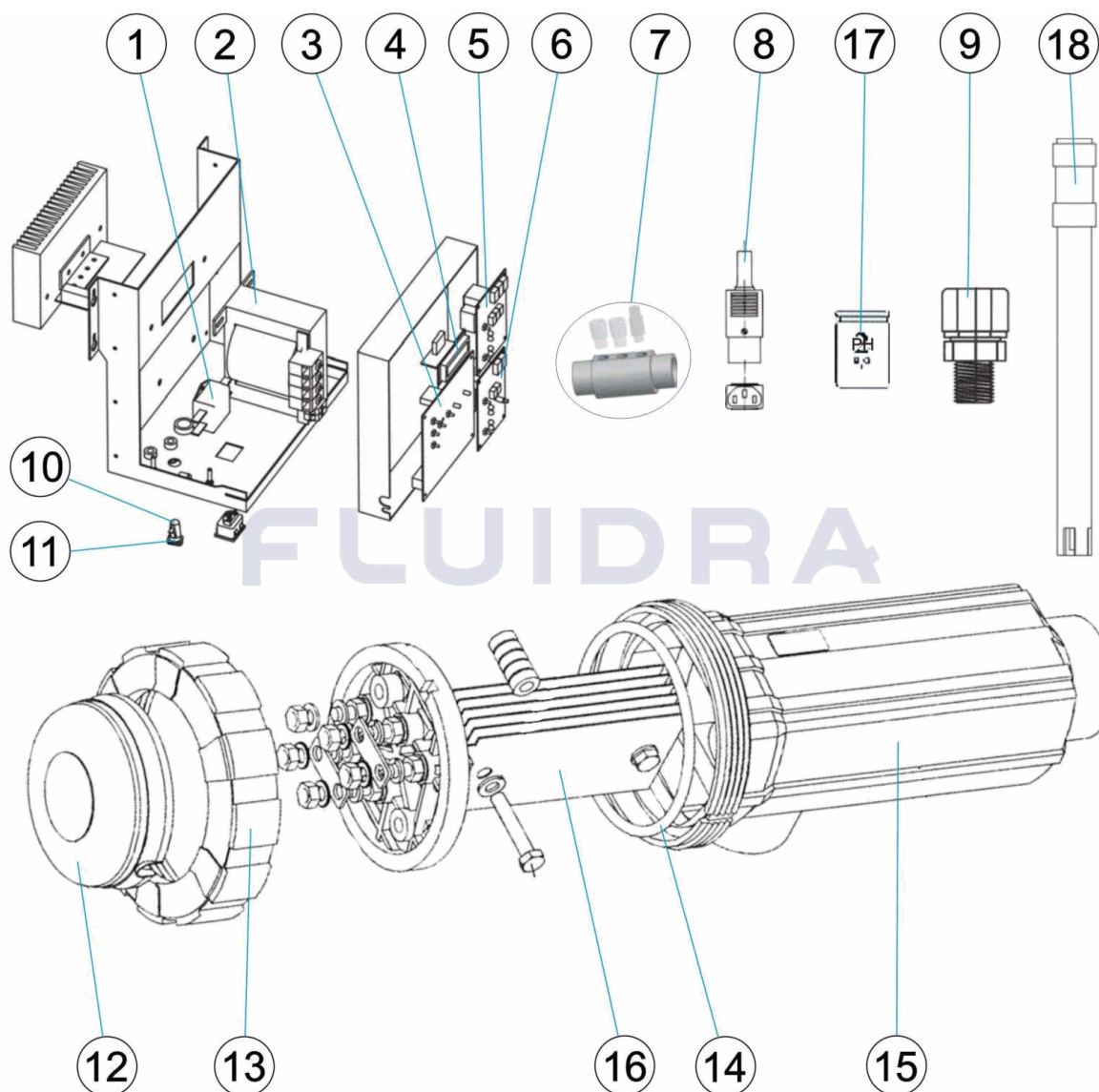
DESCRIPTION: **SALINE ELECTROLYSIS SYSTEM PLUS PRIVATE RANGE**

OBSERVATIONS

POS	CODE	OBSERVATIONS
2	4408041007	FOR: 38782
2	4408041008	FOR: 38783
2	4408041009	FOR: 38784
3	4408041010	FOR: 38782
3	4408041011	FOR: 38783
3	4408041012	FOR: 38784
16	CLEL033	FOR: 38782
16	CLEL034	FOR: 38783
16	CLEL035	FOR: 38784

CODICE 38782, 38783, 38784

DESCRIZIONE: SISTEMA ELECTROLISI SALINA PLUS GAMMA PRIVATA



ITALIANO

POS	CODICE	DESCRIZIONE	POS	CODICE	DESCRIZIONE
1	4408041021	FILTRE 230V A-65/A-120 EX/PLUS	11	4408041015	PORTAFUSIBILI 6X32 CORPO
2	* 4408041007	TRANSFORMATORE A-10 PLUS	12	4408040509	PROTECTORE CONTATTI
2	* 4408041008	TRANSFORMATORE A-18 PLUS	13	4408040508	GHIERA CHIUSURA CELLA
2	* 4408041009	TRANSFORMATORE A-25 PLUS	14	4408040510	GUARNICIONE COPERCHIO CELLA
3	* 4408041010	PBA A-10 PLUS	15	57655	CELLA PORTAELETTRODI
3	* 4408041011	PBA A-18 PLUS	16	* CLEL033	ELETTRODO A-10 PLUS
3	* 4408041012	PBA A-25 PLUS	16	* CLEL034	ELETTRODO A-18 PLUS
4	4408041020	DISPLAY SISTEMA EX/PLUS	16	* CLEL035	ELETTRODO A-25 PLUS
5	4408041019	SCHEDA RX	17	60618	SOLUZIONE TAMPONE PH 7,0 50 M/L. (VERDE)
6	4408040602	SCHEDA PH	17	60632	SOLUZIONE TAMPONE PH 4,0 50 ML. (ROSSO)
7	4408041018	PORTA SONDA DOPPIO PUNTO INIEZIONE	17	60633	SOLUZIONE CALIBRAZIONE 470MV.
8	4408040524	CONNETTORE CEE22 POMPA DOSATRICE	18	60648	ELETTRODO COMBINATO PH
9	4408040604	PORTAELETTODO PE 12M/M. X 1/2"	18	60649	ELETTRODO RX

* -> SI FACCIA RIFERIMENTO AL FOGLIO DELLE OSSERVAZIONI

CODICE **38782, 38783, 38784**

DESCRIZIONE: **SISTEMA ELECTROLISI SALINA PLUS GAMMA PRIVATA**

10	4408041014	FUSIBILE 6X32 2A.			
----	------------	-------------------	--	--	--

CODICE **38782, 38783, 38784**

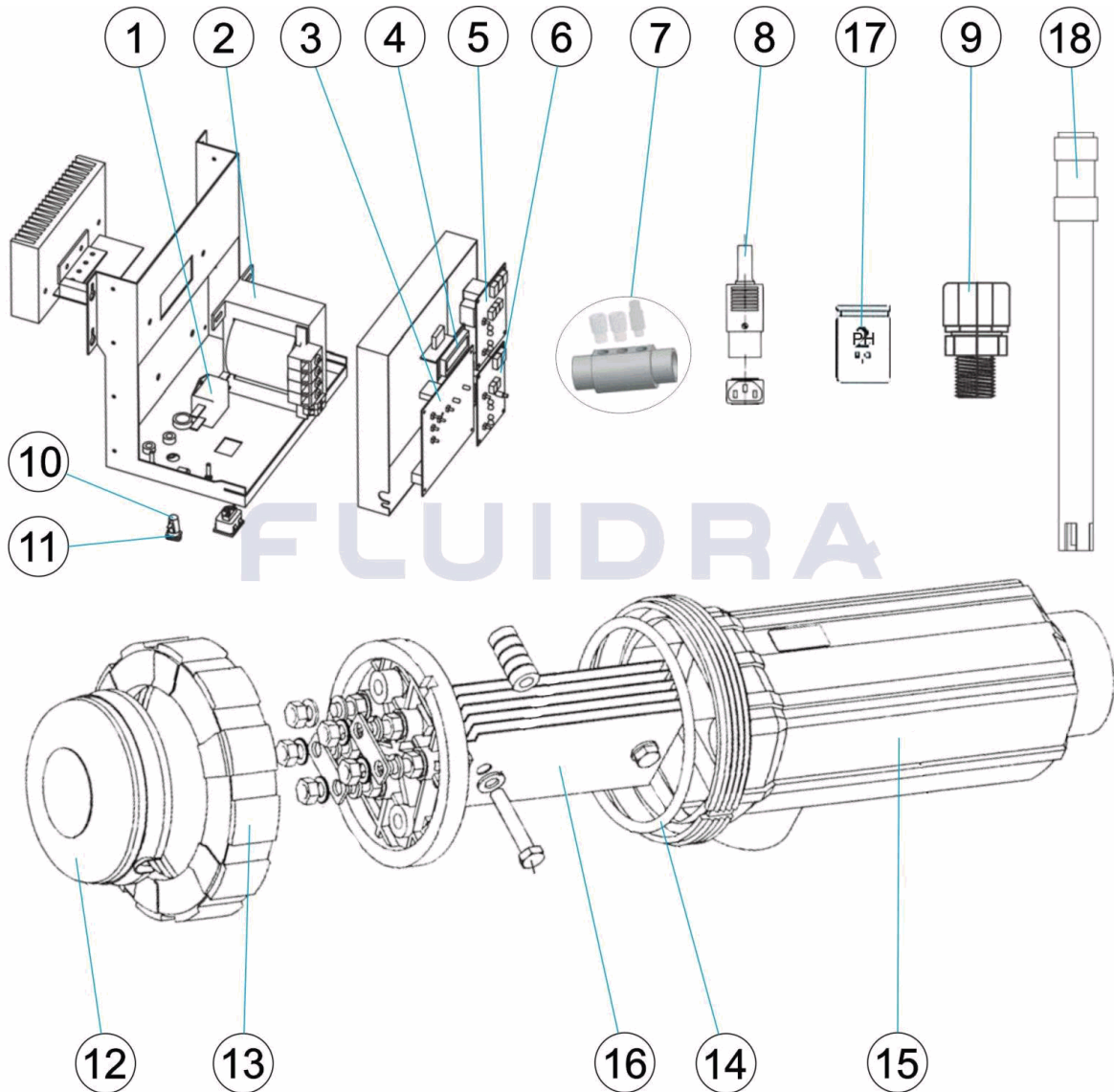
DESCRIZIONE: **SISTEMA ELECTROLISI SALINA PLUS GAMMA PRIVATA**

OSSERVAZIONI

POS	CODICE	OSSERVAZIONI
2	4408041007	PER: 38782
2	4408041008	PER: 38783
2	4408041009	PER: 38784
3	4408041010	PER: 38782
3	4408041011	PER: 38783
3	4408041012	PER: 38784
16	CLEL033	PER: 38782
16	CLEL034	PER: 38783
16	CLEL035	PER: 38784

CODE 38782, 38783, 38784

BESCHREIBUNG: ELEKTROLYTSYSTEM SALZ PLUS PRIVATGEBRAUCH



DEUTSCH

POS	CODE	BESCHREIBUNG	POS	CODE	BESCHREIBUNG
1	4408041021	FILTER 230 V A-65/A-120 EX/PLUS	11	4408041015	SICHERUNGSSITZ 6 X 32 RAHMEN
2	* 4408041007	LEISTUNGSTRAFO A-10 PLUS	12	4408040509	KONTAKTSCHUTZ
2	* 4408041008	LEISTUNGSTRAFO A-18 PLUS	13	4408040508	MUTTER SCHLIESSVORRICHTUNG ZELLE
2	* 4408041009	LEISTUNGSTRAFO A-25 PLUS	14	4408040510	DICHTUNG GEHÄUSE EPDM.
3	* 4408041010	PBA STEUERUNG A-10 PLUS	15	57655	ELEKTRODENZELLE
3	* 4408041011	PBA STEUERUNG A-18 PLUS	16	* CLEL033	ELEKTRODEN SELBSTREINIGEND A-10 PLUS
3	* 4408041012	PBA STEUERUNG A-25 PLUS	16	* CLEL034	ELEKTRODEN SELBSTREINIGEND A-18 PLUS
4	4408041020	DISPLAY SYSTEM EX/PLUS	16	* CLEL035	ELEKTRODEN SELBSTREINIGEND A-25 PLUS
5	4408041019	ORP-KONTROLLPLATTE	17	60618	PUFFER PH 7,0 50 M/L (GRÜN)
6	4408040602	STEUERPLATINE PH	17	60632	PUFFER PH 4,0 50 ML (ROT)
7	4408041018	SONDENHALTERUNGSDOPPELT MIT INTEGRIERTEM	17	60633	KALIBRIERLÖSUNG 47 0MV
8	4408040524	STECKKUPPLUNG CEE22 FÜR DOSIERPUMPE	18	60648	ELEKTRODE KOMBINIERT PH
9	4408040604	ELEKTRODENSITZ PE 12 MM-1/2"	18	60649	ORP-ELEKTRODE

* -> SIEHE ANMERKUNGSBLATT

CODE **38782, 38783, 38784**BESCHREIBUNG: **ELEKTROLYTSYSTEM SALZ PLUS PRIVATGEBRAUCH**

10	4408041014	SICHERUNG 6 X 32 2 A			
----	------------	----------------------	--	--	--

CODE **38782, 38783, 38784**

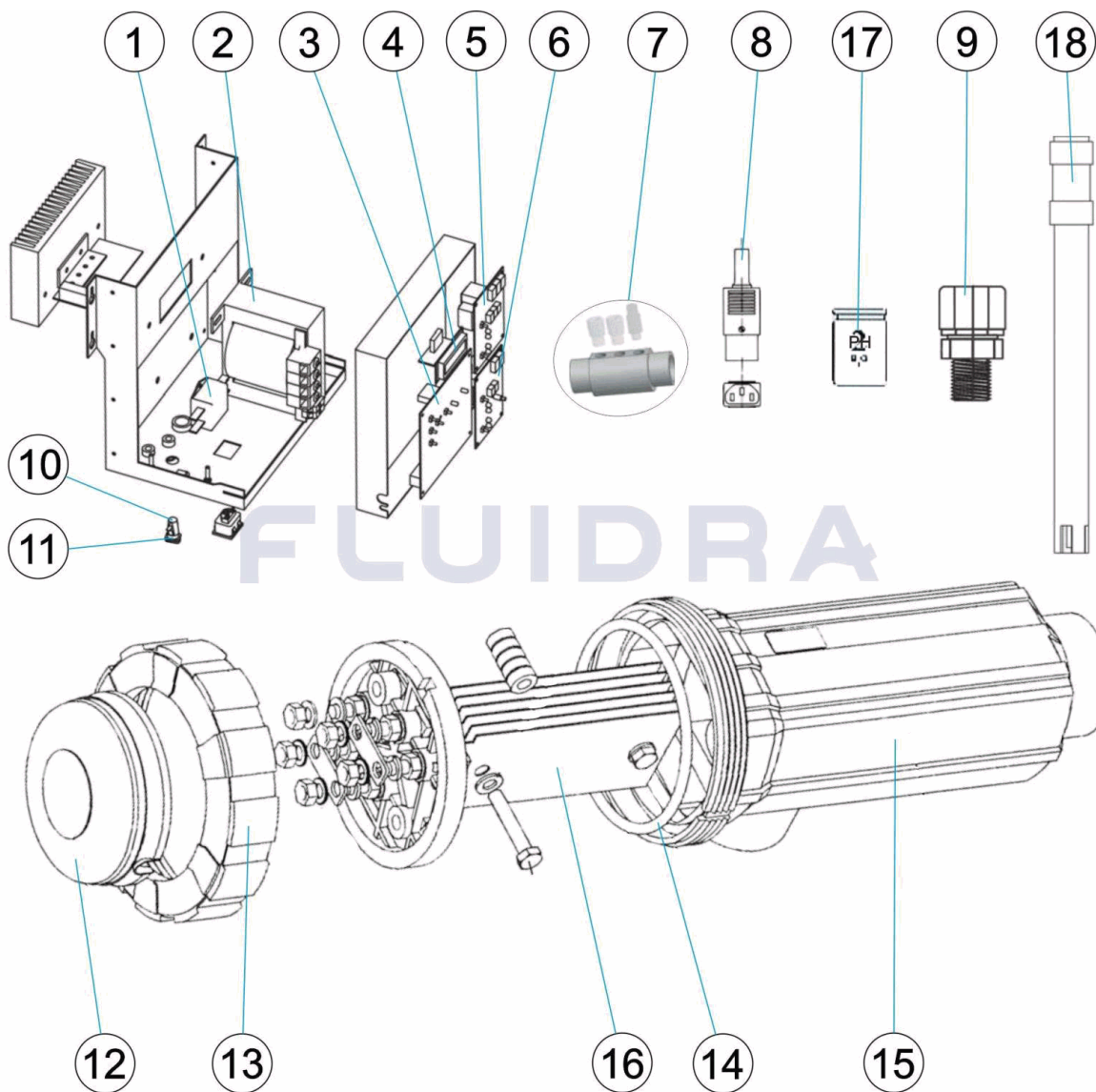
BESCHREIBUNG: **ELEKTROLYTSYSTEM SALZ PLUS PRIVATGEBRAUCH**

HINWEISE

POS	CODE	HINWEISE
2	4408041007	FÜR: 38782
2	4408041008	FÜR: 38783
2	4408041009	FÜR: 38784
3	4408041010	FÜR: 38782
3	4408041011	FÜR: 38783
3	4408041012	FÜR: 38784
16	CLEL033	FÜR: 38782
16	CLEL034	FÜR: 38783
16	CLEL035	FÜR: 38784

CODIGO **38782, 38783, 38784**

DESCRIÇÃO: **SISTEMA ELECTRÓLISE SALINA PLUS GAMA PRIVADA**



PORTUGUES

POS	CODIGO	DESCRIÇÃO	POS	CODIGO	DESCRIÇÃO
1	4408041021	FILTRO 230V A-65/A-120 EX/PLUS	11	4408041015	PORTAFUSIVEIS 6X32 CHASSIS
2	* 4408041007	TRANSFORMADOR A-10 PLUS	12	4408040509	PROTECTOR CONTACTOS
2	* 4408041008	TRANSFORMADOR A-18 PLUS	13	4408040508	TAMPA ROSCADA DE FECHO DA VASO
2	* 4408041009	TRANSFORMADOR A-25 PLUS	14	4408040510	JUNTA EPDM COPO
3	* 4408041010	PBA CONTROL A-10 PLUS	15	57655	VASO PORTA-ELECTRODOS
3	* 4408041011	PBA CONTROL A-18 PLUS	16	* CLEL033	ELECTRODO AUTO-LIMPANT. A-10 PLUS
3	* 4408041012	PBA CONTROL A-25 PLUS	16	* CLEL034	ELECTRODO AUTO-LIMPANT. A-18 PLUS
4	4408041020	DISPLAY SISTEMA EX/PLUS	16	* CLEL035	ELECTRODO AUTO-LIMPANT. A-25 PLUS
5	4408041019	PLACA CONTROLO ORP	17	60618	SOLUÇÃO TAMPÃO PH 7,0 50 ML. (VERDE)
6	4408040602	PLACA CONTROLO PH	17	60632	SOLUÇÃO TAMPÃO PH 4,0 50 ML. (VERMELHO)
7	4408041018	PORTA-SONDAS DUPLO + PUNTO INJEC. INT	17	60633	SOLUÇÃO TAMPÃO 470 MV
8	4408040524	CONECTOR CEE 22 PARA BOMBA DOSIFICADORA	18	60648	ELECTRODO COMBINADO PH
9	4408040604	PORTAELECTRODOS PE 12M/M-1/2"	18	60649	ELECTRODO ORP

*** -> VEJA A FICHA DE OBSERVAÇÕES**

CODIGO **38782, 38783, 38784**DESCRIÇÃO: **SISTEMA ELECTRÓLISE SALINA PLUS GAMA PRIVADA**

10	4408041014	FUSÍVEL 6X32 2A			
----	------------	-----------------	--	--	--

CODIGO 38782, 38783, 38784

DESCRIÇÃO: SISTEMA ELECTRÓLISE SALINA PLUS GAMA PRIVADA

OBSERVAÇÕES

POS	CODIGO	OBSERVAÇÕES
2	4408041007	PARA: 38782
2	4408041008	PARA: 38783
2	4408041009	PARA: 38784
3	4408041010	PARA: 38782
3	4408041011	PARA: 38783
3	4408041012	PARA: 38784
16	CLEL033	PARA: 38782
16	CLEL034	PARA: 38783
16	CLEL035	PARA: 38784