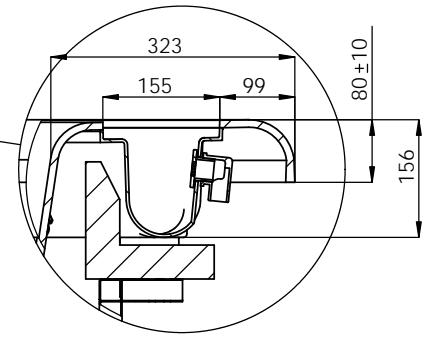
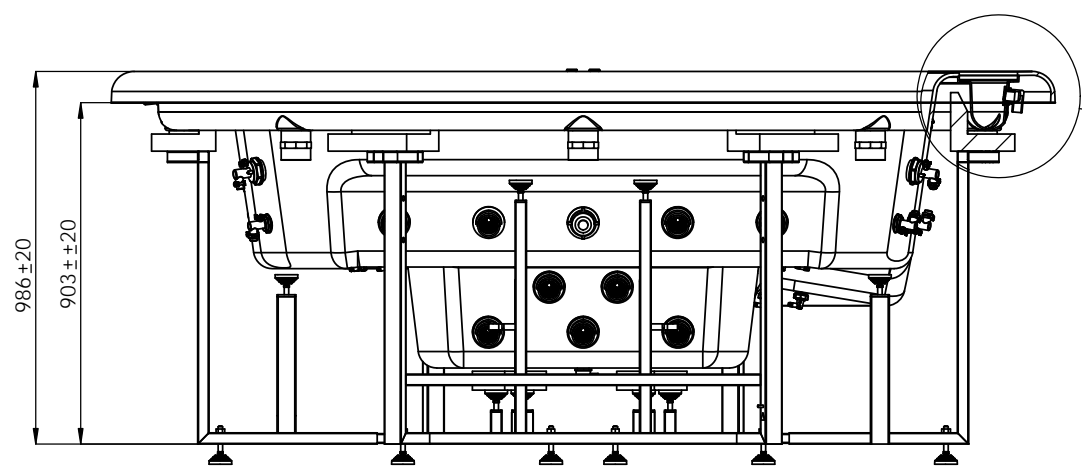
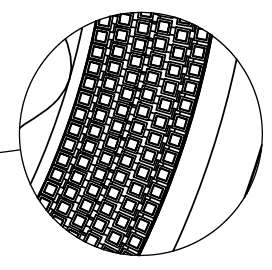
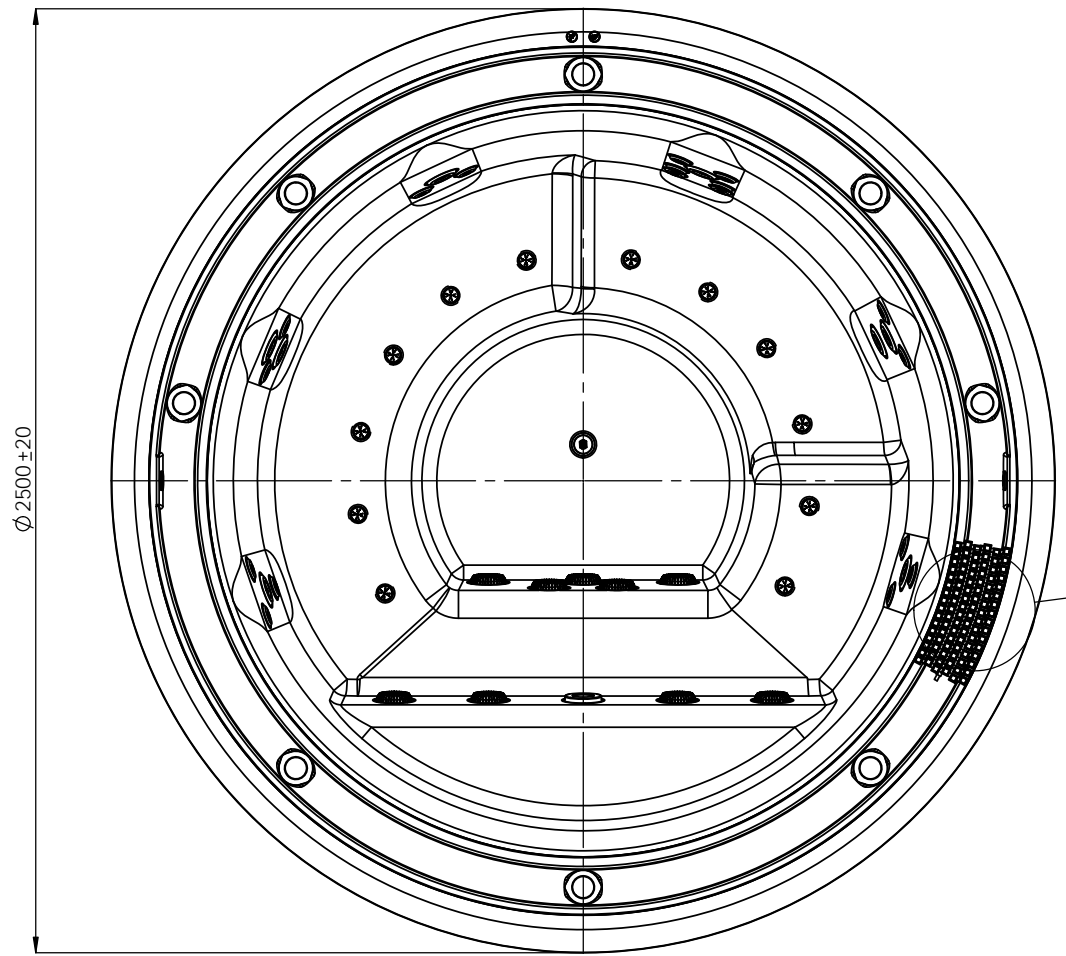
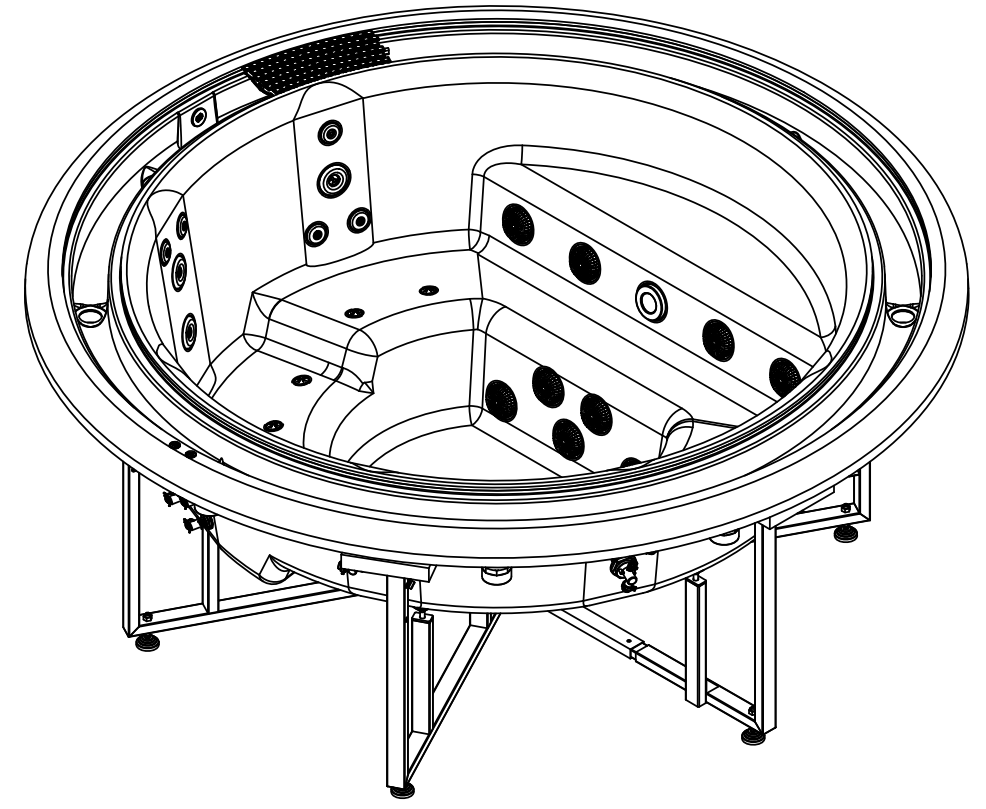


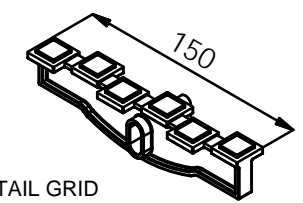
General specifications	
Spa weight (dry)	360 Kg
Spa weight (filled)	1790 Kg
Package dimension	3110x1220x2500mm
Package weight	491 Kg



E (1 : 10)



D (1 : 10)



DETAIL GRID
SCALE 1:4

VALID FROM 15/01/2016

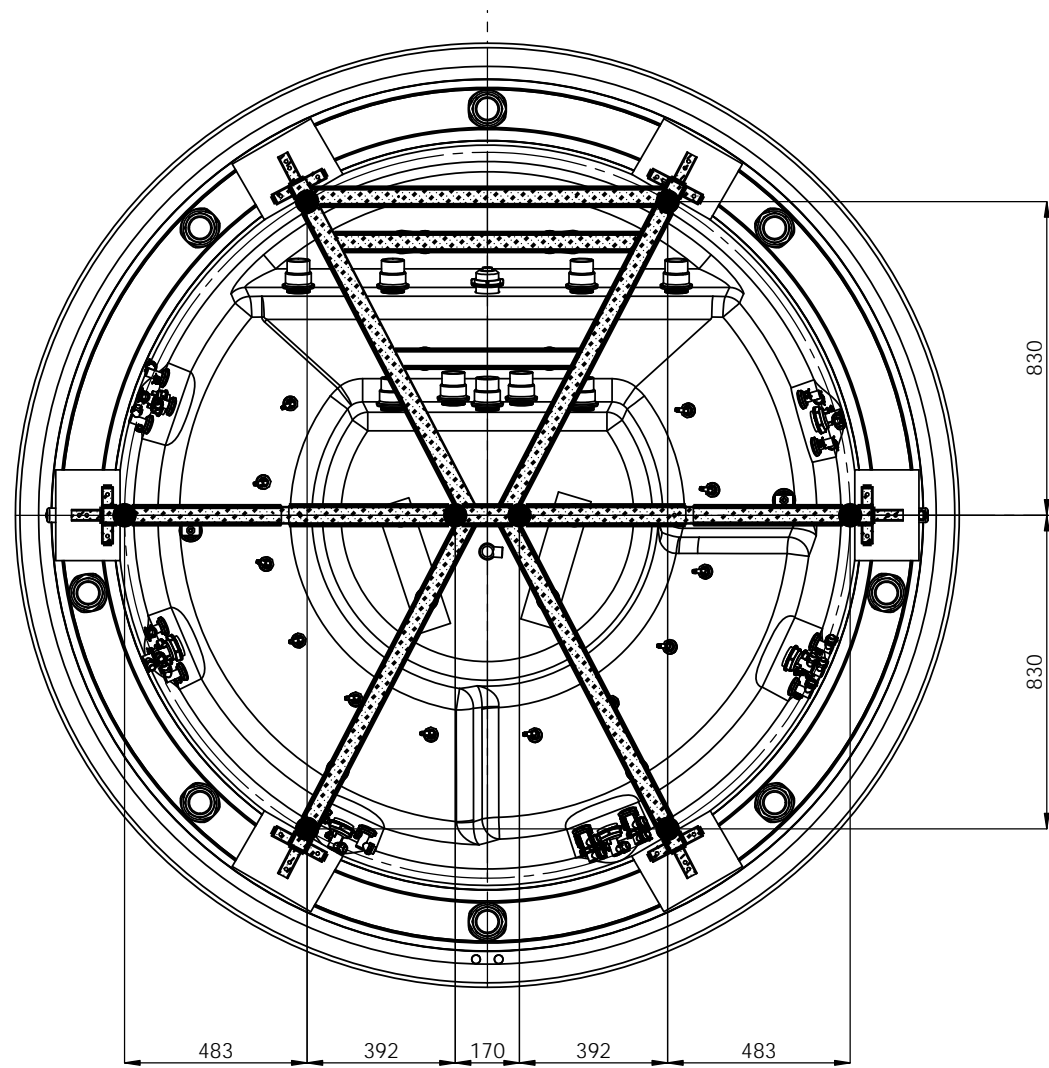
↑ ↑
HYDRAULIC CONNECTIONS ACCESS

According to our policy of continuous improvement, dimensions, features or components of this product can be partially or completely changed without prior notice. It's Customer responsibility to verify that this is the last version of the drawing

Change No.	Date	Name	Modification
06	20/06/2016	I.Pozo	Change drain diameter
05	02/03/2016	I.Pozo	Change light and drain. Add table
04	09/06/2014	I.Pozo	New spare template
03	26/05/2014	I.Pozo	New Templates

Remarks			COMMERCIAL					
Dimensions in mm. General Tolerances +/- 10mm								
Drawn	13/05/2009	M.Baraut		Part Number	44630			
Checked	13/05/2009	A.Deu						
Scale	1:20					General Tolerance DIN 7168 ISO 2768g	Rev.	06
Sheet	1/3							

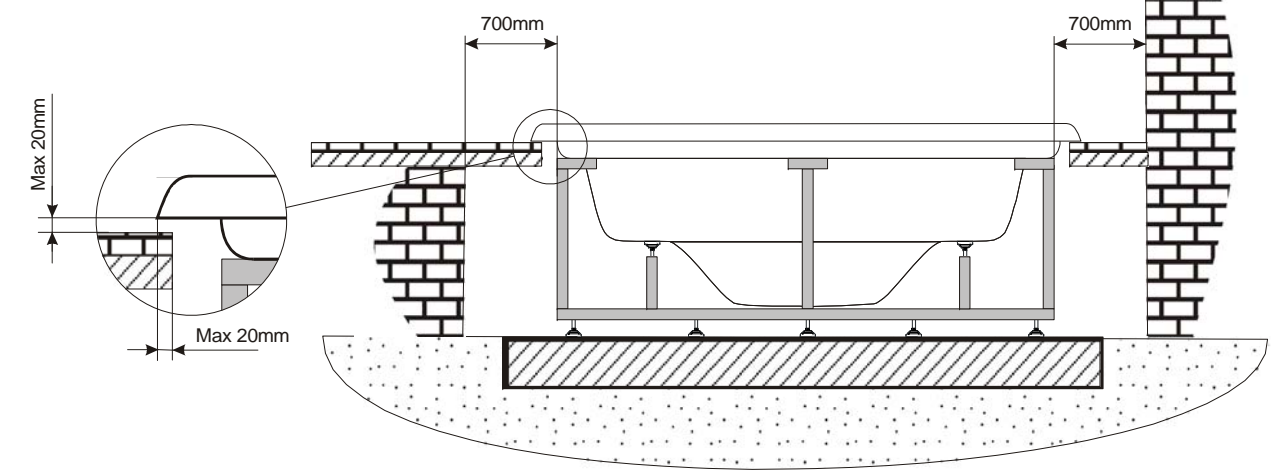
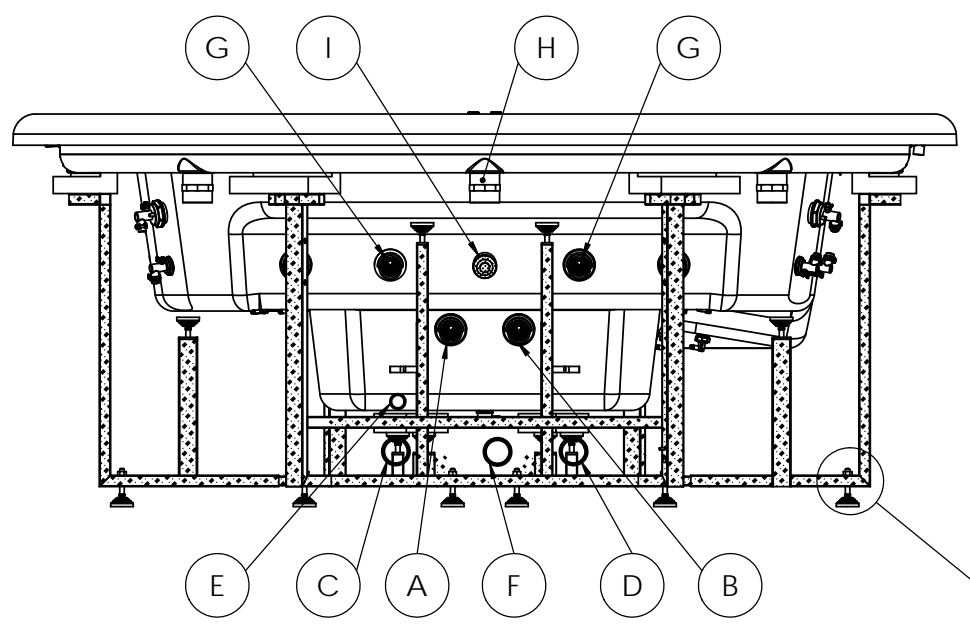
Property of IBERSPA S.L. Avda. Pla d'Urgell 2-8 25200 Cervera, Spain. Don't use without permission. Keep this information confidential and use it solely for the permitted purpose.



A	Suction-Water Massage Pump 1	2" BSP FEMALE THREAD
B	Suction-Water Massage Pump 2	2" BSP FEMALE THREAD
C	Jets-Water Massage Pump 1	2" BSP FEMALE THREAD
D	Jets-Water Massage Pump 2	2" BSP FEMALE THREAD
E	Return-Air Massage	2" BSP FEMALE THREAD
F	Suction/Return-Filtration Pump Bottom Spa	2" BSP FEMALE THREAD
G	Return-Filtration Pump Inlets	2" BSP FEMALE THREAD
H	Overflow Drains (8x)	Ø 63 FEMALE SOCKET
I	Light	

VALID FROM 15/01/2016

WARNING:
It's essential to keep a minimum clearance access of **700mm** all around.
Minimum depth of spa hole **950 mm**.

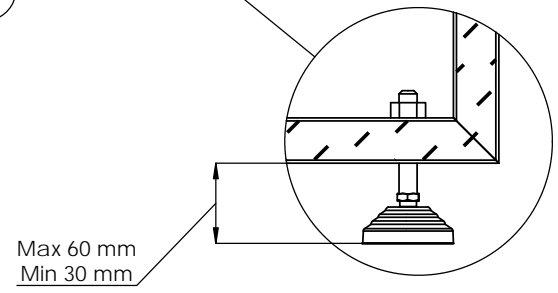


According to our policy of continuous improvement, dimensions, features or components of this product can be partially or completely changed without prior notice.
It's Customer responsibility to verify that this is the last version of the drawing

Change No.	Date	Name	Modification
06	20/06/2016	I.Pozo	Change drain diameter
05	02/03/2016	I.Pozo	Change light and drain. Add table
04	09/06/2014	I.Pozo	New spare template
03	26/05/2014	I.Pozo	New Templates

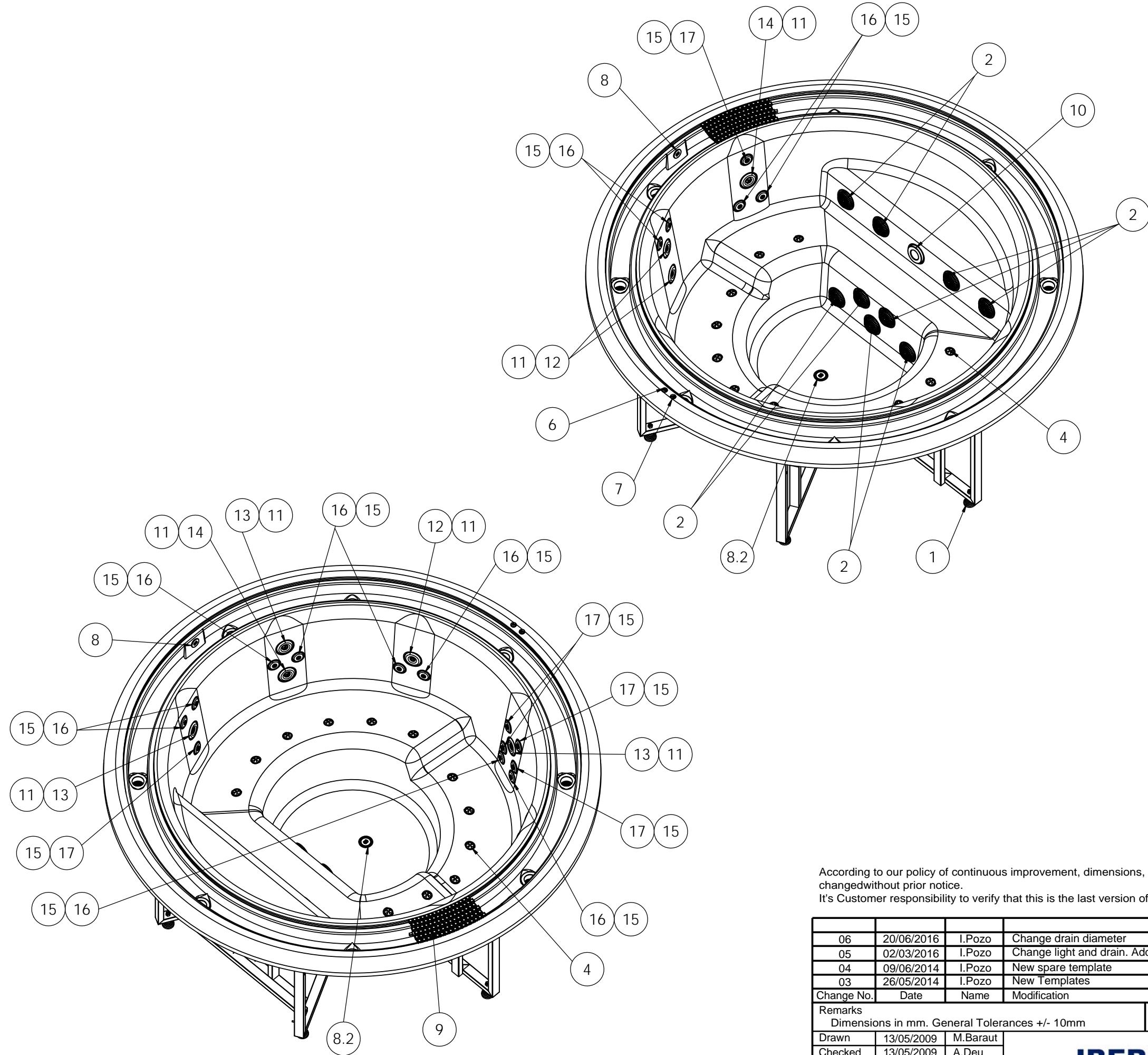
Remarks			COMMERCIAL		
Dimensions in mm. General Tolerances +/- 10mm					
Drawn	13/05/2009	M.Baraut		Part Number	44630
Checked	13/05/2009	A.Deu		Rev.	06
Scale 1:20	General Tolerance			First Angle Projection	
Sheet 2/3	DIN 7168 ISO 2768g				

Property of IBERSPA S.L. Avda. Pla d'Urgell 2-8 25200 Cervera, Spain. Don't use without permission. Keep this information confidential and use it solely for the permitted purpose.



STAINLESS STEEL JETS + WHITE LIGHT			
Position Num.	Part No SPARE	Description SPARE	Quant.
1	303325R	SPA SUPPORT	8
2	RPOR0275	SS SPA DRAIN 2" ADAPTOR SOCKET D.50	9
4	REMP0046	WHITE-STAINLESS STEEL AIR NOZZLE	12
6	REMP0034	DIGITAL BUTTON IP68 ALUM. AIR	1
7	REMP0033	DIGITAL BUTTON IP68 ALUM. WATER	1
8	RPOR0003	GREY DRAIN SET - BODY+COVER+ASSEMBLY	2
8.2	RPOR0277	INTERNAL SS DRAINPIPE	1
9	REMP0050	CURVED GRATING WIDTH 150 mm (21 PIECES)	13.62
10	RCOM0071	HIGH INTENSITY WHITE LED SPOTLIGHTS + STAINLESS STEEL ESCUTCHEON SPOTLIGHT	1
11	RPOR0236	JET BODY SET RD 3"	8
12	RPOR0231	FRONTAL JET 3" STAINLESS STEEL DIRECTIONAL	3
13	RPOR0232	FRONTAL JET 3" STAINLESS STEEL 1 JET ROTO	3
14	RPOR0233	FRONTAL JET 3" STAINLESS STEEL TWIN ROTO	2
15	RPOR0235	JET BODY SET RD 2"	18
16	RPOR0230	FRONTAL JET 2" STAINLESS STEEL DIRECTIONAL	12
17	RPOR0260	JET TWIN ROTO 2" INOX	6

STAINLESS STEEL JET + COLOUR LIGHT			
Position Num.	Part No SPARE	Description SPARE	Quant.
1	303325R	SPA SUPPORT	8
2	RPOR0275	SS SPA DRAIN 2" ADAPTOR SOCKET D.50	9
4	REMP0046	WHITE-STAINLESS STEEL AIR NOZZLE	12
6	REMP0034	DIGITAL BUTTON IP68 ALUM. AIR	1
7	REMP0033	DIGITAL BUTTON IP68 ALUM. WATER	1
8	RPOR0003	GREY DRAIN SET - BODY+COVER+ASSEMBLY	2
8.2	RPOR0277	INTERNAL SS DRAINPIPE	1
9	REMP0050	CURVED GRATING WIDTH 150 mm (21 PIECES)	13.62
10	RCOM0063	HIGH INTENSITY COLOURS LED SPOTLIGHTS + STEEL ESCUTCHEON SPOTLIGHT	1
11	RPOR0236	JET BODY SET RD 3"	8
12	RPOR0231	FRONTAL JET 3" STAINLESS STEEL DIRECTIONAL	3
13	RPOR0232	FRONTAL JET 3" STAINLESS STEEL 1 JET ROTO	3
14	RPOR0233	FRONTAL JET 3" STAINLESS STEEL TWIN ROTO	2
15	RPOR0235	JET BODY SET RD 2"	18
16	RPOR0230	FRONTAL JET 2" STAINLESS STEEL DIRECTIONAL	12
17	RPOR0260	JET TWIN ROTO 2" INOX	6



VALID FROM 15/01/2016

According to our policy of continuous improvement, dimensions, features or components of this product can be partially or completely changed without prior notice. It's Customer responsibility to verify that this is the last version of the drawing

Change No.	Date	Name	Modification
06	20/06/2016	I.Pozo	Change drain diameter
05	02/03/2016	I.Pozo	Change light and drain. Add table
04	09/06/2014	I.Pozo	New spare template
03	26/05/2014	I.Pozo	New Templates

Remarks			SPARE DRAWING				
Dimensions in mm. General Tolerances +/- 10mm							
Drawn	13/05/2009	M.Baraut		Part Number	44630		
Checked	13/05/2009	A.Deu					
Scale	1:50					Rev.	06
Sheet	3/3						
General Tolerance			First Angle Projection				
DIN 7168 ISO 2768g			Property of IBERSPA S.L. Avda. Pla d'Urgell 2-8 25200 Cervera, Spain. Don't use without permission. Keep this information confidential and use it solely for the permitted purpose.				