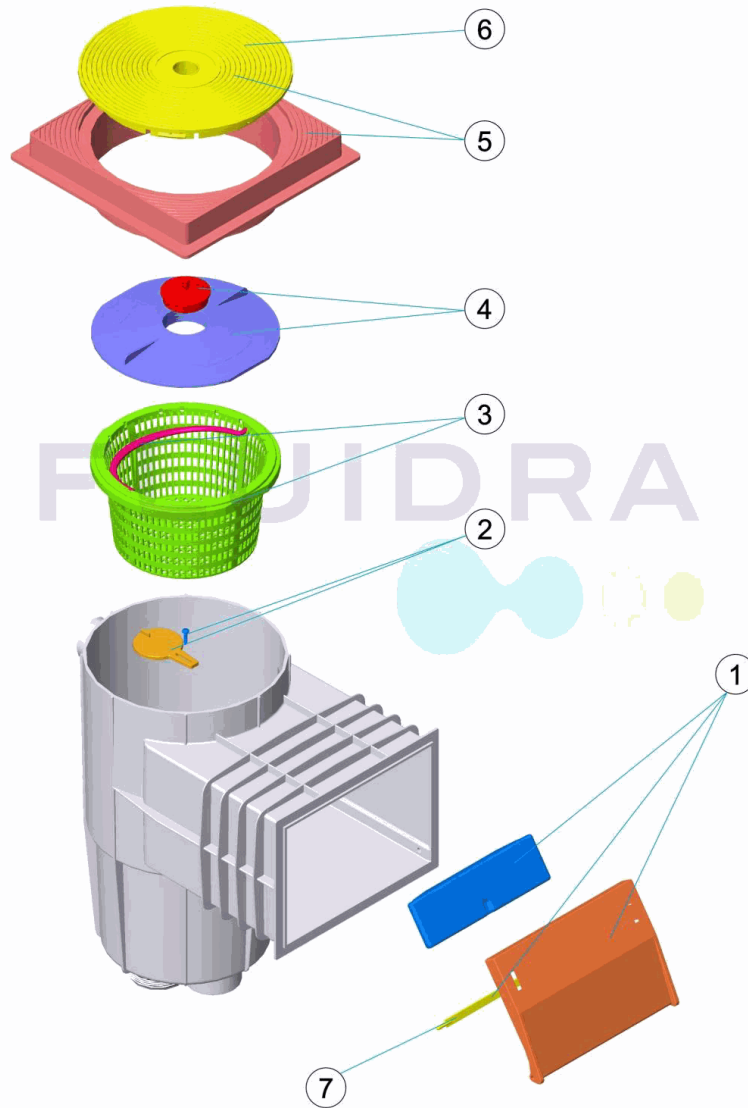


CODIGO **00250**

DESCRIPCION: **SKIMMER 15L PH B. STD. T. CIRC.**

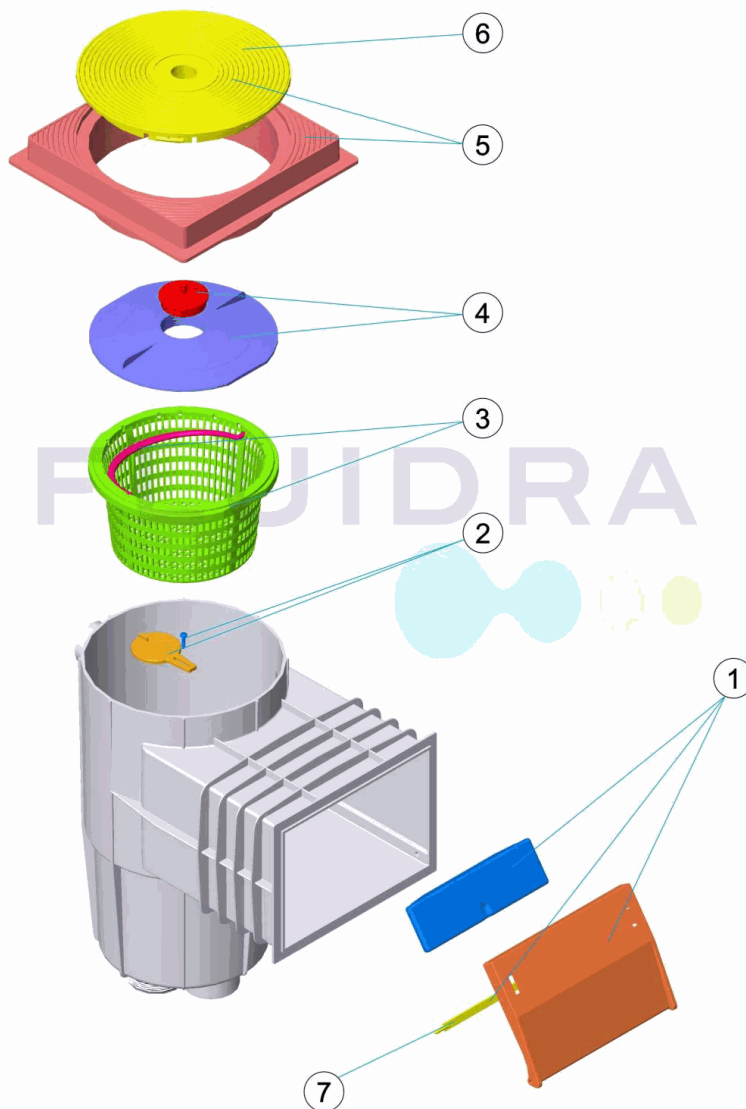


ESPAÑOL

POS	CODIGO	DESCRIPCION	POS	CODIGO	DESCRIPCION
1	4402010101	COMPUERTA SKIMMER BISAGRA	4	4402010104	TAPA CESTO SKIMMER CON TAPON
1	4402010109	COMPUERTA SKIMMER ANTIGUA	5	4402010106	TAPA Y ARO CUADRADO SKIMMER
2	4402010102	CLAPETA SKIMMER	6	4402010108	TAPA CIRCULAR SKIMMER
3	4402010103	CESTO SKIMMER	7	4402010110	BISAGRA COMPUERTA

CODE 00250

DESCRIPTION: SKIMMER 15L PH B. STD. C. CIRC.

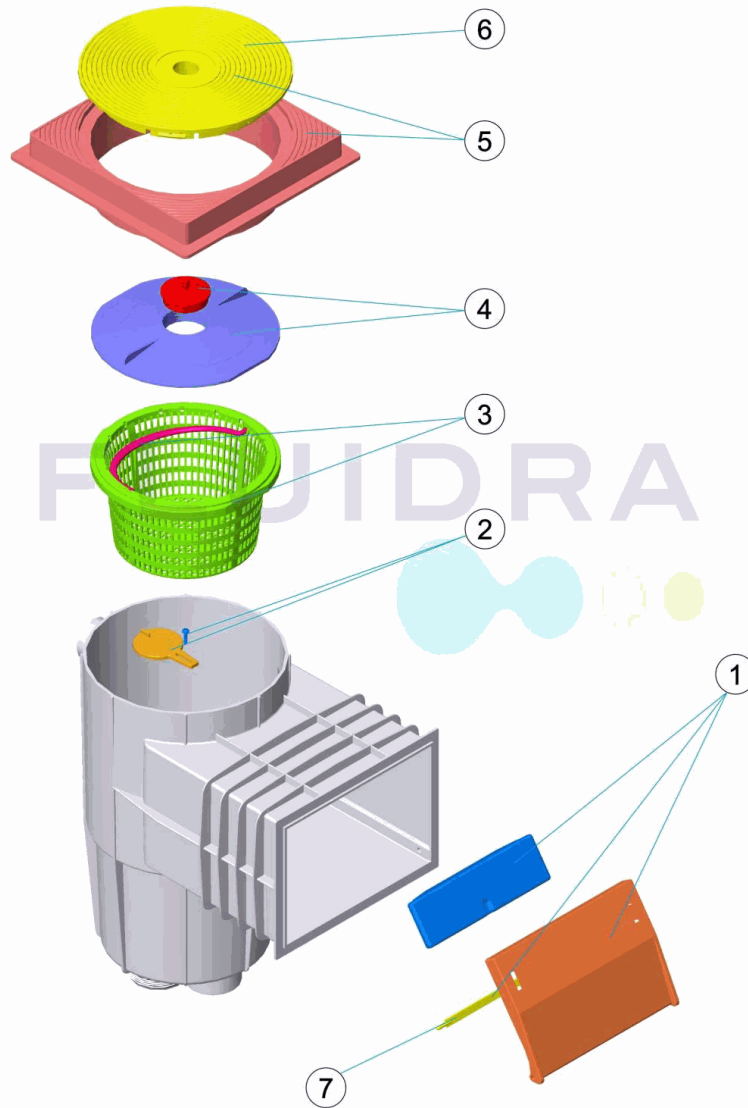


FRANCAIS

POS	CODE	DESCRIPTION	POS	CODE	DESCRIPTION
1	4402010101	VOLET ET CHARNIERE SKIMMER	4	4402010104	COUVERCLE PANIER SKIMMER AVEC BOUCHON
1	4402010109	VOLET DE SKIMMER ANCIEN MODÈLE	5	4402010106	COUVERCLE ET CADRE CARRE SKIMMER
2	4402010102	CLAPET SKIMMER	6	4402010108	COUVERCLE ROND SKIMMER
3	4402010103	PANIER SKIMMER	7	4402010110	CHARNIERE VOLET

CODE 00250

DESCRIPTION: SKIMMER 15L PH B. STD. T. CIRC.

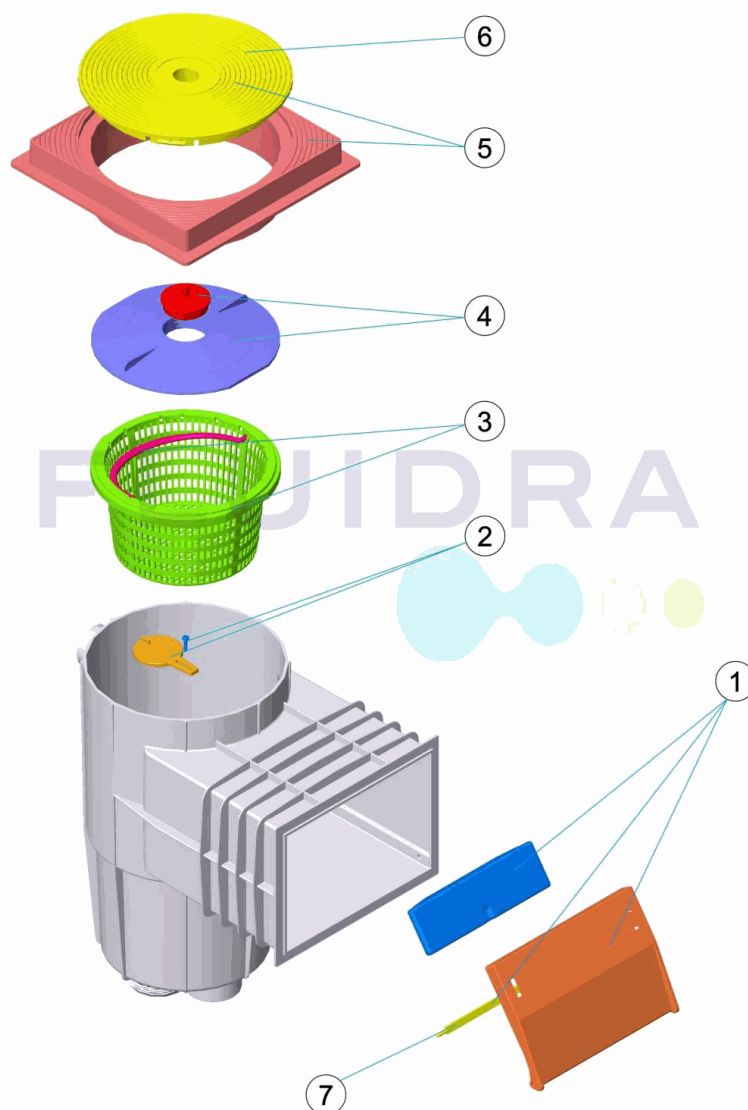


ENGLISH

POS	CODE	DESCRIPTION	POS	CODE	DESCRIPTION
1	4402010101	FLAP RETAINING CLIP	4	4402010104	VACUUM PLATE WITH PLUG
1	4402010109	OLD STYLE SKIMMER FLAP	5	4402010106	SQUARE LID AND LID FRAME
2	4402010102	KEYHOLE FLAP	6	4402010108	CIRCULAR SKIMMER LID
3	4402010103	SKIMMER BASKET	7	4402010110	HINGE FLAP

CODICE **00250**

DESCRIZIONE: **SKIMMER 15L PH B. STD. T. CIRC.**

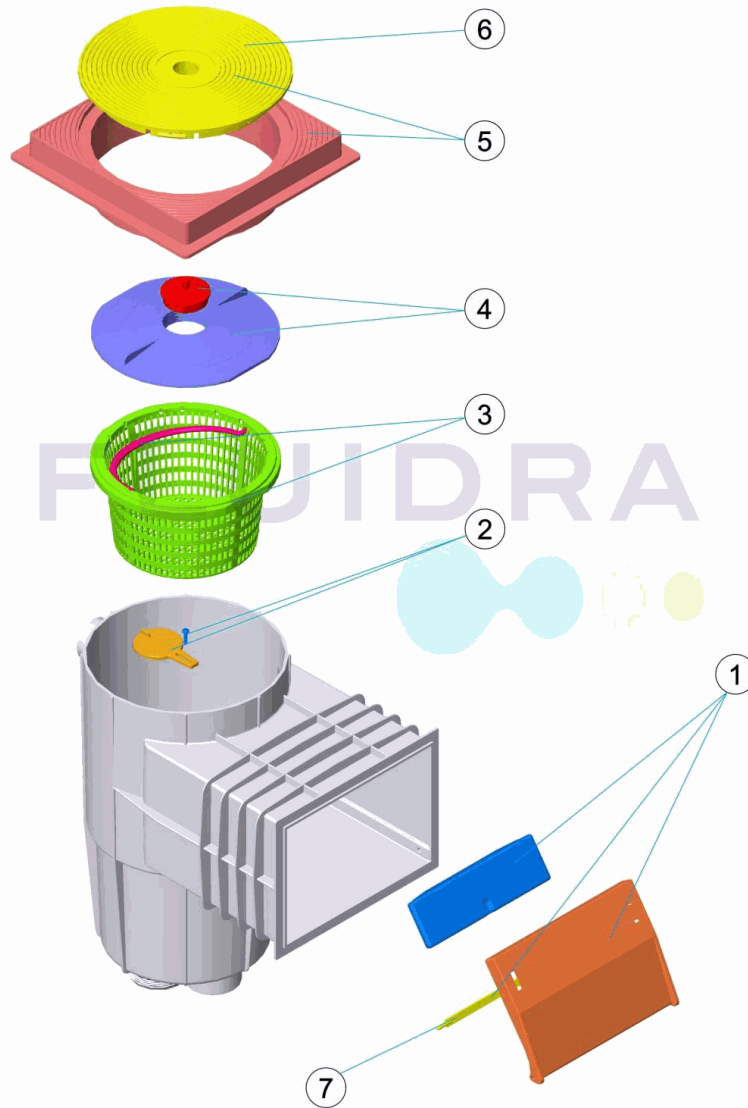


ITALIANO

POS	CODICE	DESCRIZIONE	POS	CODICE	DESCRIZIONE
1	4402010101	BATTENTE SKIMMER CON PERNO	4	4402010104	COPERCHIO CESTELLO SKIMMER CON TAPPO
1	4402010109	BATTENTE SKIMMER T/V	5	4402010106	COPERCHIO E CORNICE QUADRA SKIMMER
2	4402010102	ALETTA PARZIALIZZATRICE SKIMMER	6	4402010108	COPERCHIO TONDO SKIMMER
3	4402010103	CESTELLO SKIMMER	7	4402010110	CERNIERE BATTENTE

CODE **00250**

BESCHREIBUNG: **SKIMMER 15L PH EINLASS STANDARD ABDECKUNG RUND**

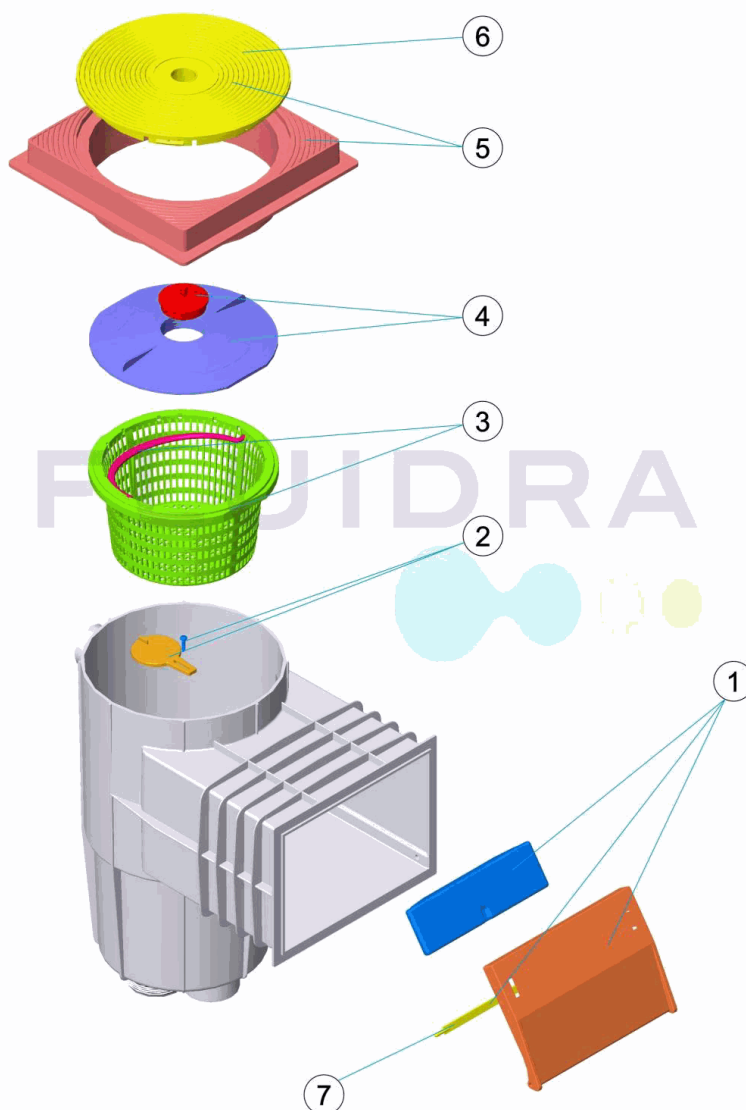


DEUTSCH

POS	CODE	BESCHREIBUNG	POS	CODE	BESCHREIBUNG
1	4402010101	SKIMMERKLAPPE SCHARNIER	4	4402010104	ABDECKUNG SKIMMKORB MIT STOPFEN
1	4402010109	SKIMMERKLAPPE VORVERSION	5	4402010106	ABDECKUNG UND RING SKIMMER QUADRATISCH
2	4402010102	SKIMMERKLAPPE	6	4402010108	ABDECKUNG RUND SKIMMER
3	4402010103	SKIMMERKORB	7	4402010110	SCHARNIER Klappe

CODIGO 00250

DESCRIÇÃO: SKIMMER 15 L PH B. STD. T. CIRC.



PORTUGUES

POS	CODIGO	DESCRIÇÃO	POS	CODIGO	DESCRIÇÃO
1	4402010101	COMPORTA SKIMMER BISAGRA	4	4402010104	TAMPA CESTO SKIMMER
1	4402010109	COMPORTA SKIMMER ANTIGA	5	4402010106	TAMPA E ARO QUADRADO SKIMMER
2	4402010102	CLAPETA SKIMMER	6	4402010108	TAMPA CIRCULAR SKIMMER
3	4402010103	CESTO SKIMMER	7	4402010110	DOBRADIÇA COMPORTA