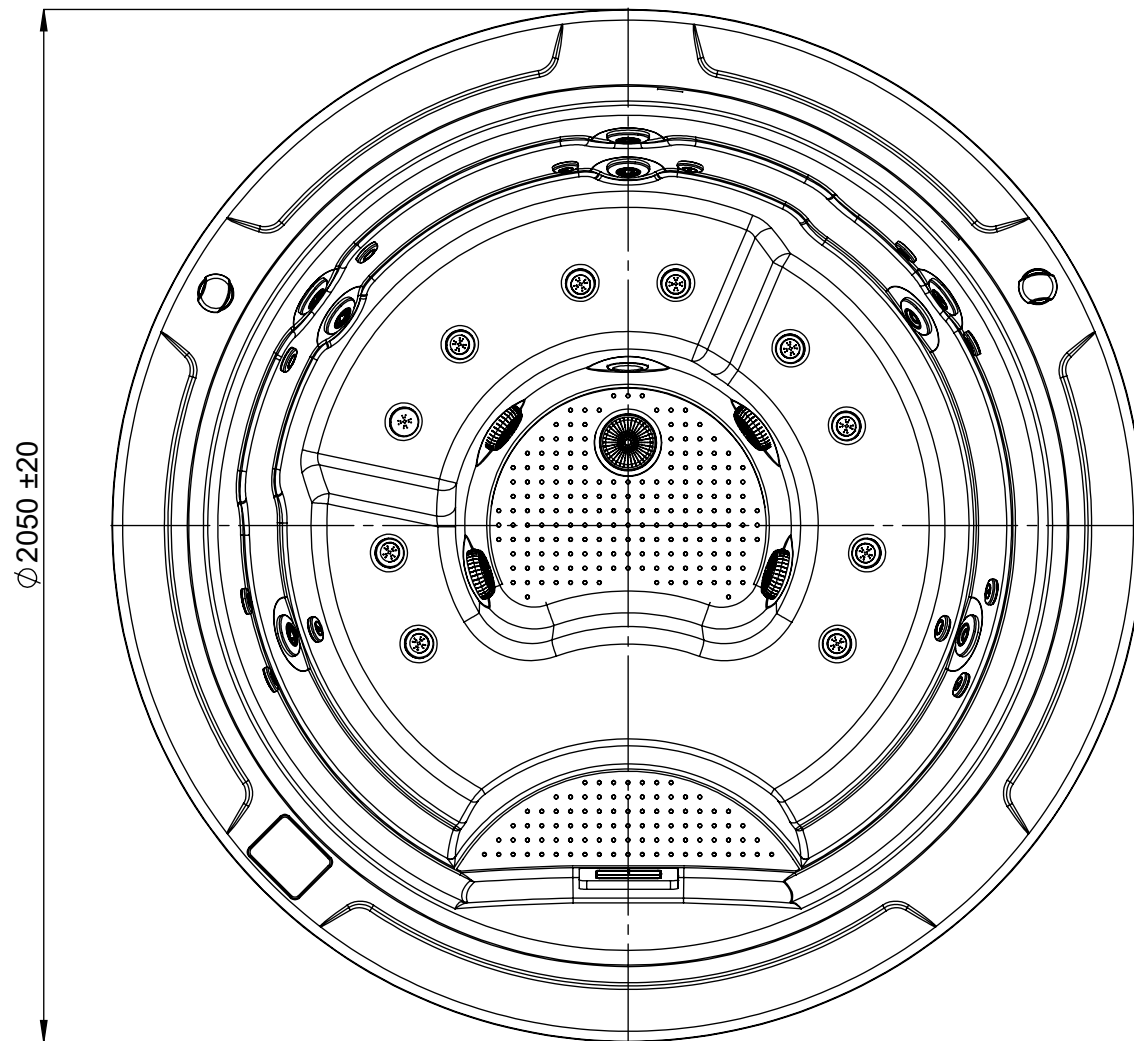
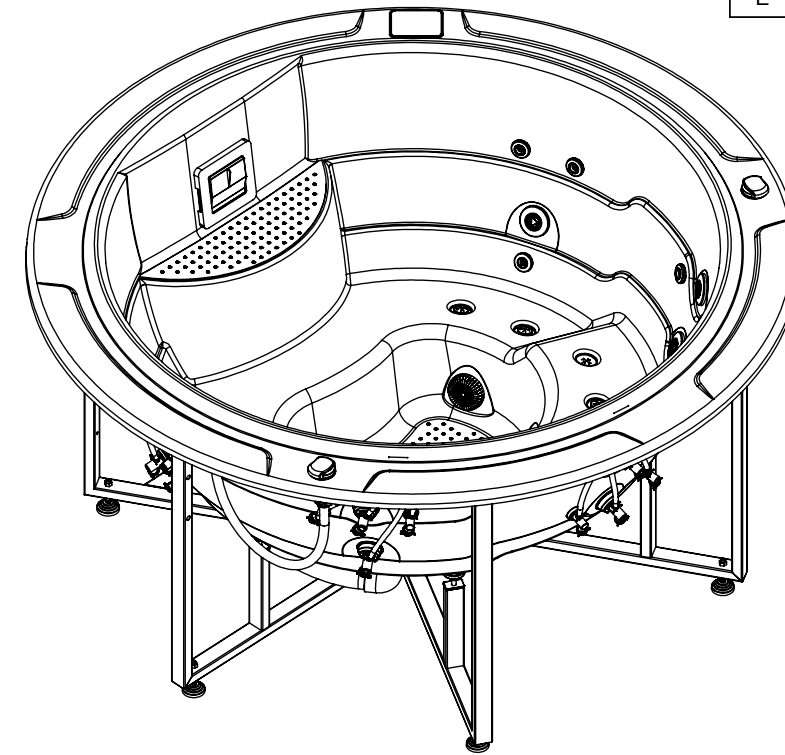
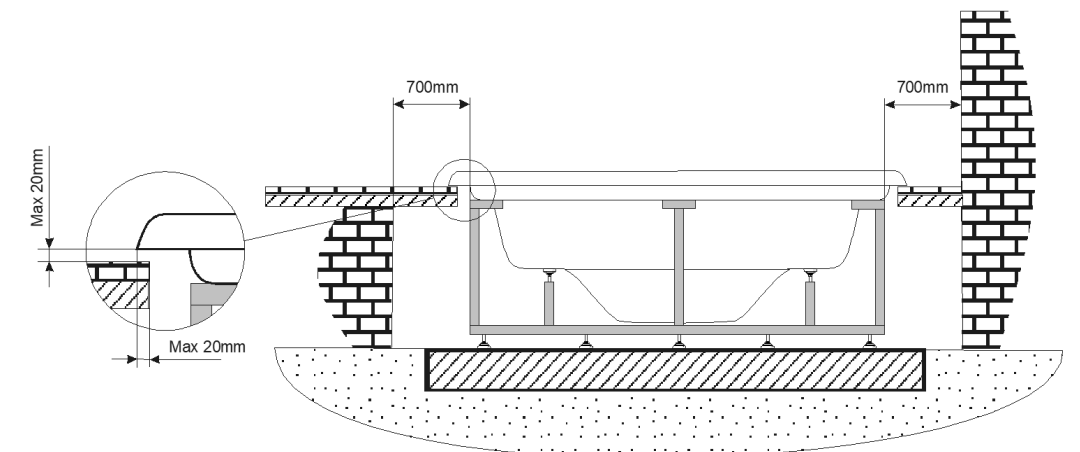


A	Suction-Water Massage Pump 1	Ø 63 FEMALE SOCKET
B	Return-Water Massage Pump 1	Ø 63 FEMALE SOCKET
C	Return-Air Massage	Ø 50 FEMALE SOCKET
D	Suction-Filtration Pump Bottom Spa	Ø 63 FEMALE SOCKET
E	Return-Filtration Pump Inlets	Ø 63 FEMALE SOCKET



**WARNING:**  
It's essential to keep a minimum clearance access of **700mm** all around.



According to our policy of continuous improvement, dimensions, features or components of this product can be partially or completely changed without prior notice.  
It's Customer responsibility to verify that this is the last version of the drawing

Change No.	Date	Name	Modification
07	19/02/2020	A.Miquel	Spa geometry changed.
06	08/01/2019	D.Castillo	Spa weight added.
05	12/11/2018	A.Miquel	Jets (CMP) changed
04	08/05/2017	O. Faura	Changing of electronic parts references.
03	17/12/2014	I.Pozo	Change tolerance heigh spa

General specifications	
Spa weight (empty)	132 Kg
Spa weight (full)	812 Kg

↑ ↑  
HYDRAULIC CONNECTIONS ACCESS

Remarks Dimensions in mm. General Tolerances +/- 10mm			COMMERCIAL		
Drawn	22/12/2009	M.Freixes	Part Number <b>49859</b>	Rev. <b>07</b>	First Angle Projection
Checked	-	I.Nicolas			
Scale	1:15				
Sheet	1/1				
General Tolerance DIN 7168 ISO 2768g					