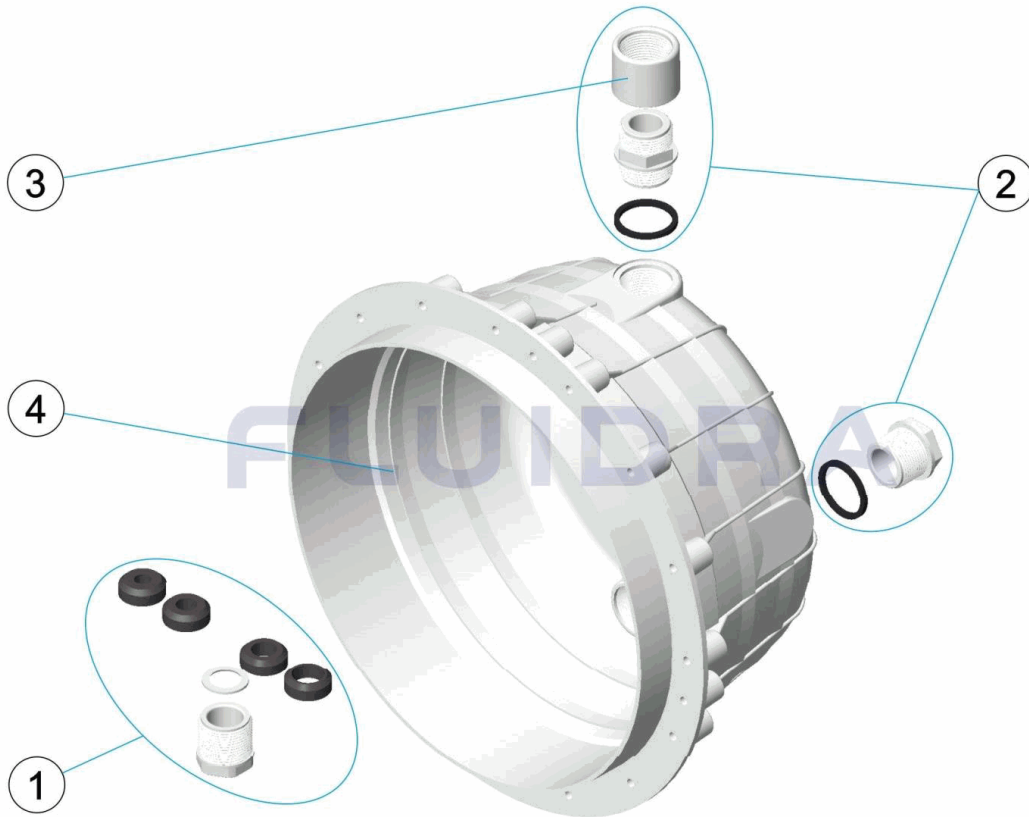


CODIGO **00349, 37175**

DESCRIPCION: **NICHO PROYECTOR PISCINA HORMIGON STANDARD Y NF**



ESPAÑOL

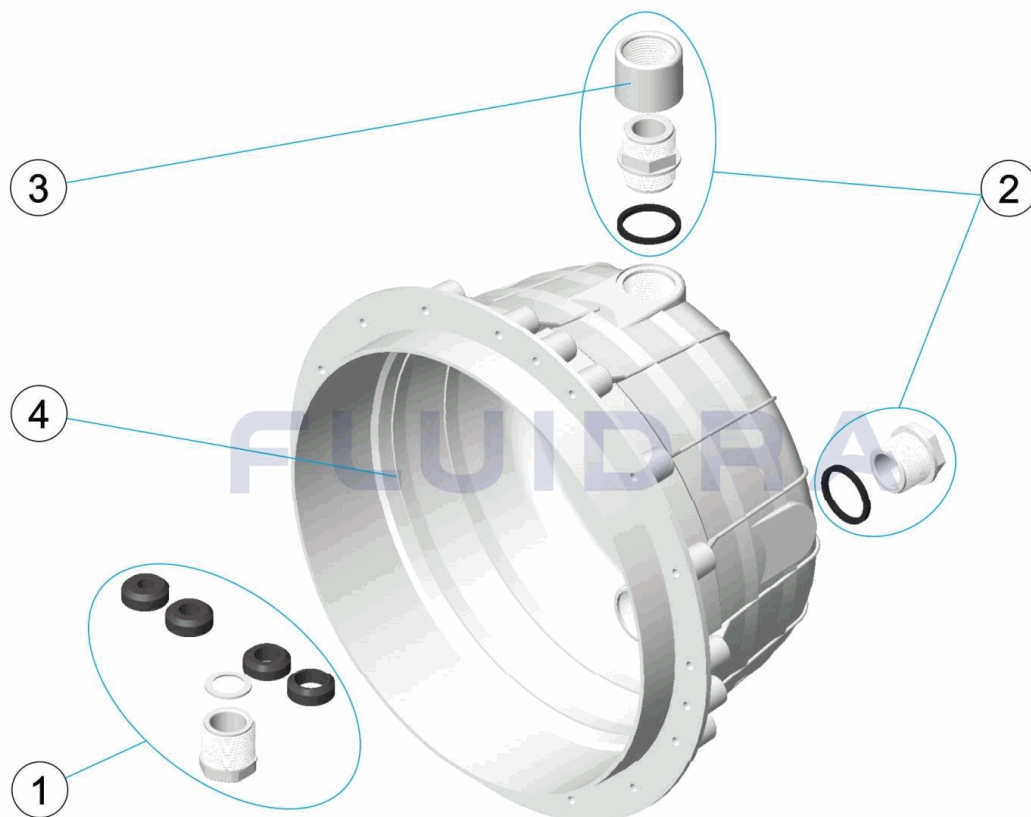
POS	CODIGO	DESCRIPCION	CANTIDAD	POS	CODIGO	DESCRIPCION	CANTIDAD
1	4403010801	CJTO. PRENSAESTOPAS		4	* 07838R0006	NICHO PROYECTOR	
2	4403010313	PRENSAESTOPAS CUERPO PROYECTOR M.		4	* 33975R0001	NICHO PROYECTOR NF. P. HORMIG	
3	4403010802	MANGUITO M-25					

CODIGO **00349, 37175**DESCRIPCION: **NICHO PROYECTOR PISCINA HORMIGON STANDARD Y NF****OBSERVACIONES**

POS	CODIGO	OBSERVACIONES
4	07838R0006	PARA: 00349
4	33975R0001	PARA: 37175

CODE **00349, 37175**

DESCRIPTION: **NICHE PROJECTEUR PISCINE BÉTON STANDARD ET NF**



FRANCAIS

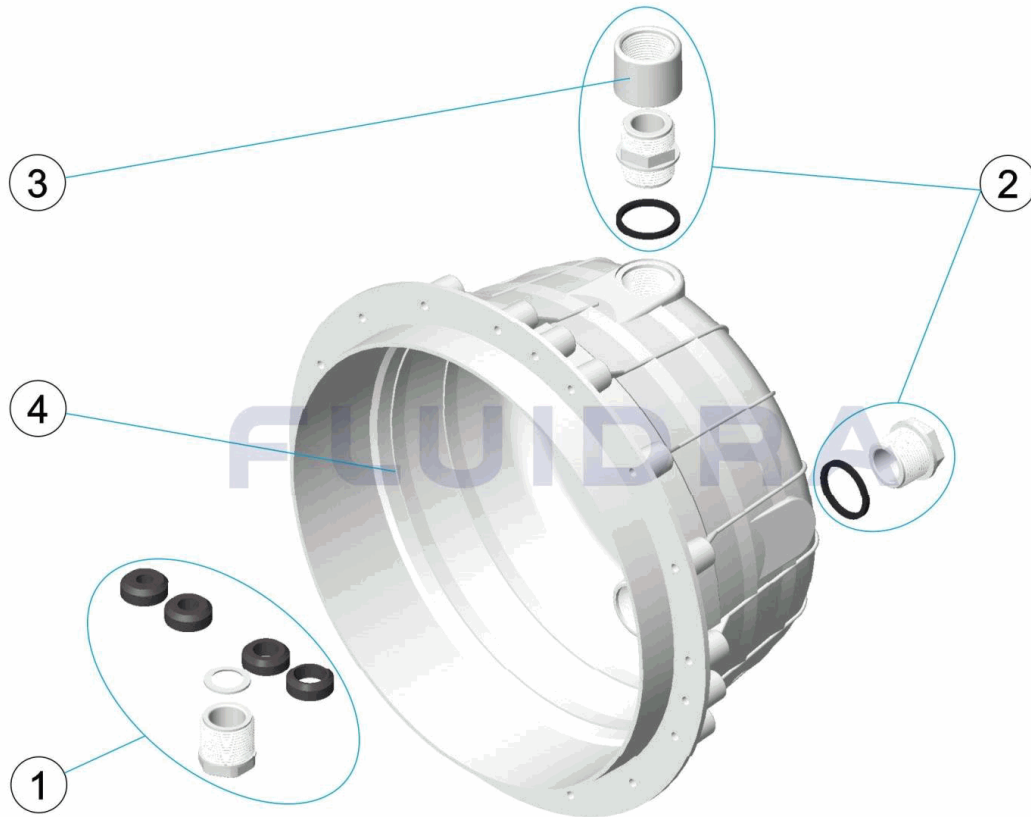
POS	CODE	DESCRIPTION	QUANTITE	POS	CODE	DESCRIPTION	QUANTITE
1	4403010801	ENS. PRESSE ETOUPE		4	* 07838R0006	NICHE PROJECTEUR	
2	4403010313	CORPS PRESSE ETOUPE M-25		4	* 33975R0001	NICHE PROJECTEUR NF	
3	4403010802	MANCHON M-25					

CODE **00349, 37175**DESCRIPTION: **NICHE PROJECTEUR PISCINE BÉTON STANDARD ET NF****OBSERVATIONS**

POS	CODE	OBSERVATIONS
4	07838R0006	POUR: 00349
4	33975R0001	POUR: 37175

CODE **00349, 37175**

DESCRIPTION: **LIGHT NICHE CONCRETE POOL STANDARD AND NF**



ENGLISH

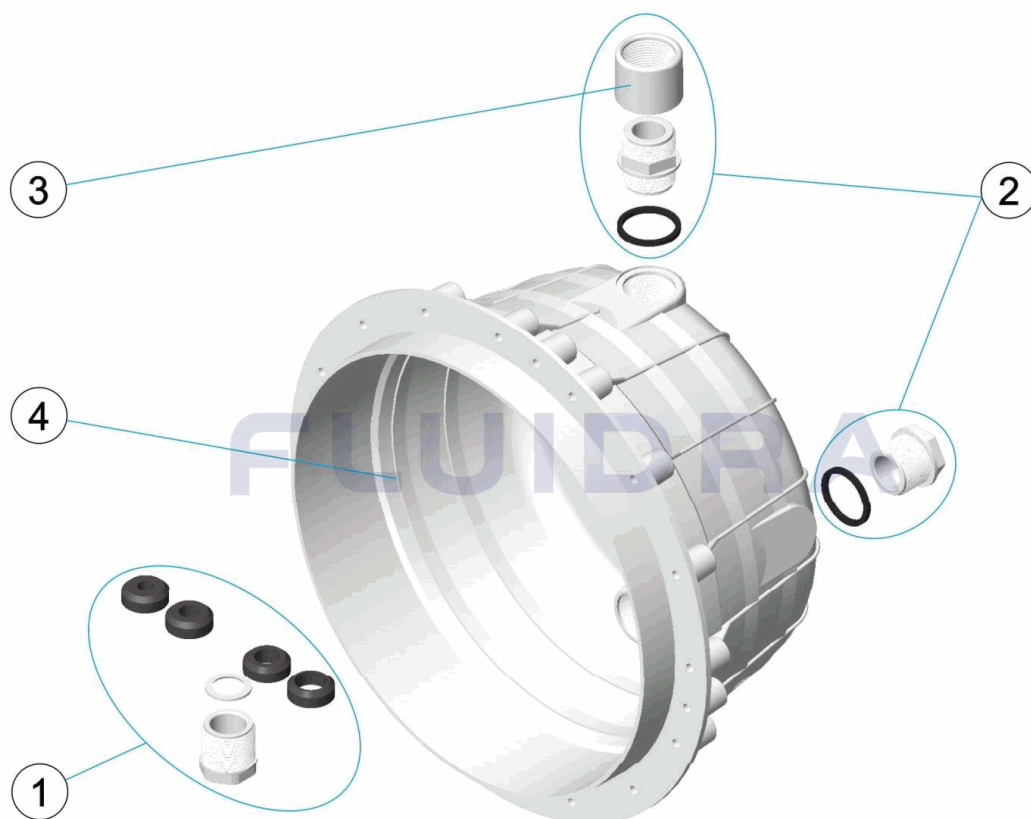
POS	CODE	DESCRIPTION	QUANTITY	POS	CODE	DESCRIPTION	QUANTITY
1	4403010801	GLAND SEAL ASSY.		4	* 07838R0006	FLOODLAMP HOUSING	
2	4403010313	BODY PACKING GLAND M-25		4	* 33975R0001	FLOODLAMP HOUSING	
3	4403010802	MUFF M-25					

CODE **00349, 37175**DESCRIPTION: **LIGHT NICHE CONCRETE POOL STANDARD AND NF****OBSERVATIONS**

POS	CODE	OBSERVATIONS
4	07838R0006	FOR: 00349
4	33975R0001	FOR: 37175

CODICE **00349, 37175**

DESCRIZIONE: **NICCHIA PROIETTORE PISCINA CEMENTO STANDARD E NF**



ITALIANO

POS	CODICE	DESCRIZIONE	QUANTITA'	POS	CODICE	DESCRIZIONE	QUANTITA'
1	4403010801	KIT PRESSACAVI		4	* 07838R0006	NICCHIA PROIETTORE	
2	4403010313	PRESSACAVI CORPO M-25		4	* 33975R0001	NICCHIA PROIETTORE	
3	4403010802	MANICOTTO M-25					

CODICE 00349, 37175

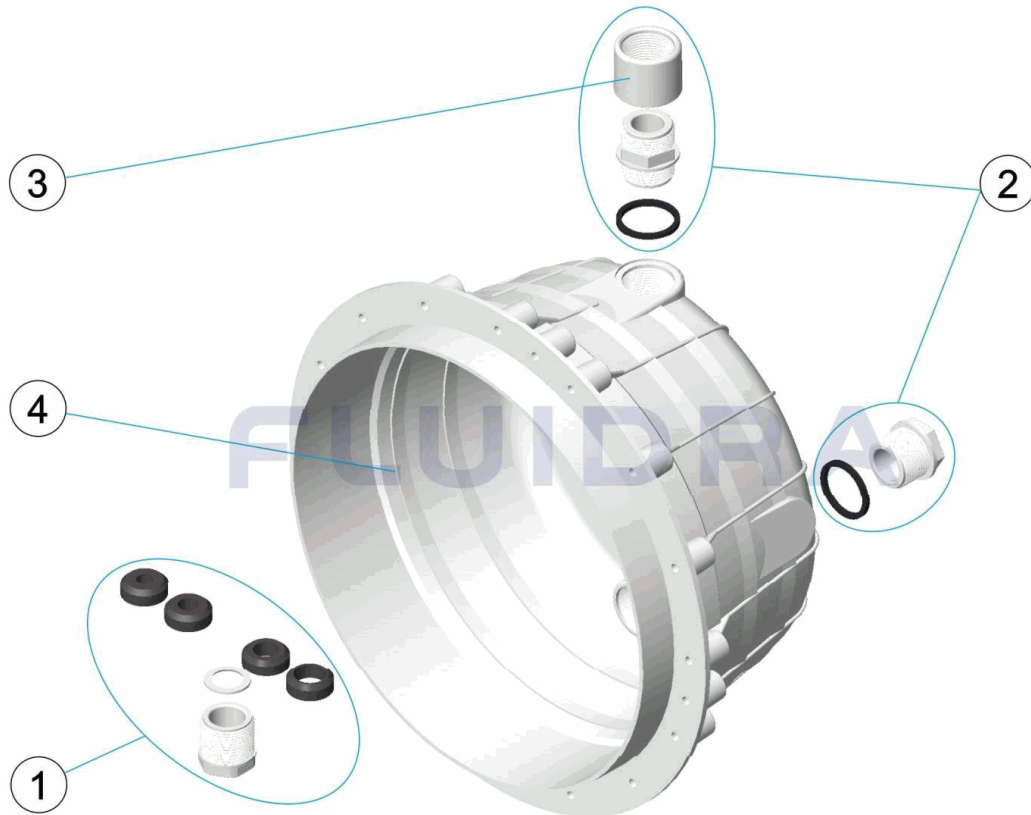
DESCRIZIONE: NICCHIA PROIETTORE PISCINA CEMENTO STANDARD E NF

OSSERVAZIONI

POS	CODICE	OSSERVAZIONI
4	07838R0006	PER: 00349
4	33975R0001	PER: 37175

CODE **00349, 37175**

BESCHREIBUNG: **EINBAUTOPF UWS BETONBECKEN STANDARD UND NF**



DEUTSCH

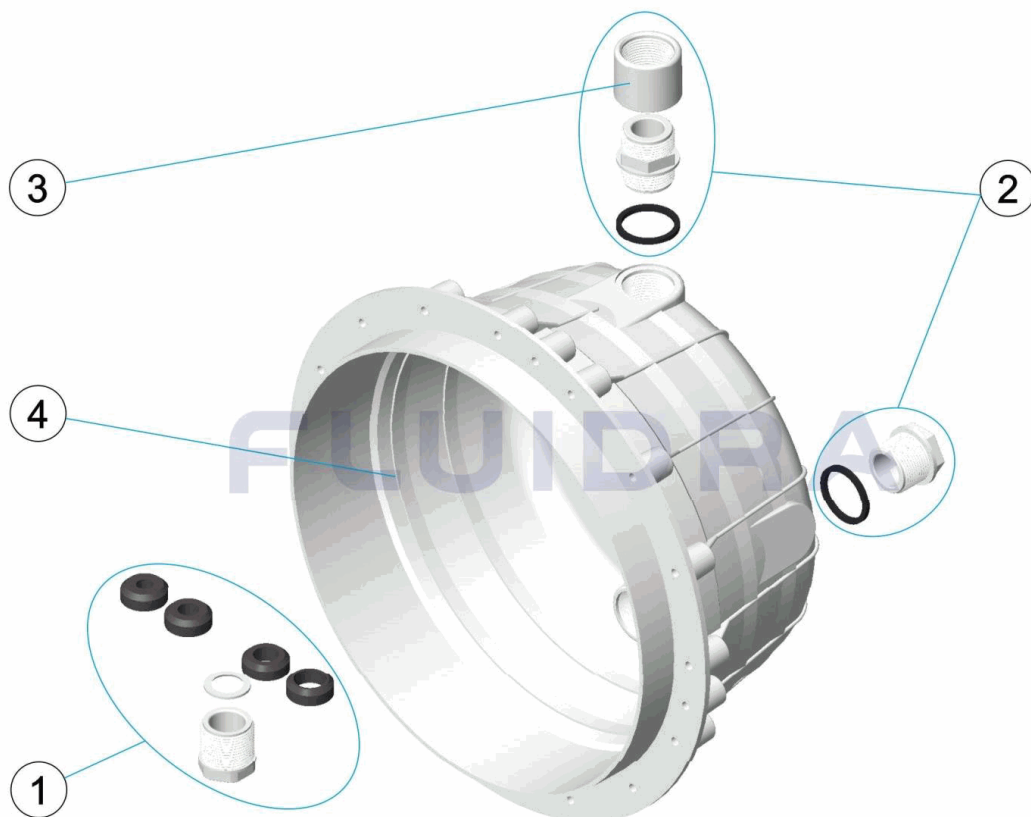
POS	CODE	BESCHREIBUNG	MENGE	POS	CODE	BESCHREIBUNG	MENGE
1	4403010801	SET QUETSCHVERSCHRAUBUNG		4	* 07838R0006	EINBAUTOPF UWS	
2	4403010313	QUETSCHVERSCHRAUBUNG GEHÄUSE UW.		4	* 33975R0001	EINBAUTOPF UWS NF. BETONBECKEN	
3	4403010802	NIPPEL M-25					

CODE **00349, 37175**BESCHREIBUNG: **EINBAUTOPF UWS BETONBECKEN STANDARD UND NF****HINWEISE**

POS	CODE	HINWEISE
4	07838R0006	FÜR: 00349
4	33975R0001	FÜR: 37175

CODIGO **00349, 37175**

DESCRIÇÃO: **NICHO PROJECTOR PISCINA BETÃO STANDARD E NF**



PORTUGUES

POS	CODIGO	DESCRIÇÃO	QUANTIDADE	POS	CODIGO	DESCRIÇÃO	QUANTIDADE
1	4403010801	CONJ.CAIXA DE VEDAÇÃO		4	* 07838R0006	NICHO PROJECTOR	
2	4403010313	BUCIN CORPO M-25		4	* 33975R0001	NICHO PROJECTOR	
3	4403010802	MANGUITO M-25					

CODIGO **00349, 37175**DESCRIÇÃO: **NICHO PROJECTOR PISCINA BETÃO STANDARD E NF****OBSERVAÇÕES**

POS	CODIGO	OBSERVAÇÕES
4	07838R0006	PARA: 00349
4	33975R0001	PARA: 37175