

CARACTERÍSTICAS TÉCNICAS TECHNICAL CHARACTERISTICS



▼ Los "Pipe Fittings" son la mejor manera de realizar conexiones entre tubos a través de la pared o el suelo de la fuente.

Hay disponibilidad de interconexión estándar desde 1" hasta 4" y perfectamente combinables entre ellos.

Todos los modelos son muy robustos y resistentes a la oxidación al estar fabricados íntegramente en acero inoxidable AISI 316.

Pipe fittings are the best way of connecting pipes through the wall or the floor of a fountain.

Available in standard sizes from 1" to 4".

All models are extremely robust and resistant to rusting because they are made entirely of AISI 316 stainless steel.

PIPE FITTING THREAD

Código / Code:

		L [mm]	A	B [mm]	C [mm]	D [mm]
66615	PIPE FITTING M-M 1"	220	1"	33	50	70
66616	PIPE FITTING M-M 1-1/2"	220	1 1/2"	48,3	80	110
66617	PIPE FITTING M-M 2"	220	2"	60,3	80	110
66618	PIPE FITTING M-M 3"	220	3"	88,9	125	150
66619	PIPE FITTING M-M 4"	220	4"	114,3	145	160
66620	PIPE FITTING F-F 1"	220	1"	40	50	70
66621	PIPE FITTING F-F 1-1/2"	220	1 1/2"	55	65	110
66622	PIPE FITTING F-F 2"	220	2"	70	85	120
66623	PIPE FITTING F-F 3"	220	3"	100	125	150
66624	PIPE FITTING F-F 4"	220	4"	125	145	160
66625	PIPE FITTING M-F 1"	220	1"	35	50	70
66626	PIPE FITTING M-F 1-1/2"	220	1 1/2"	55	80	110
66627	PIPE FITTING M-F 2"	220	2"	70	80	110
66628	PIPE FITTING M-F 3"	220	3"	100	125	150
66629	PIPE FITTING M-F 4"	220	4"	125	145	160

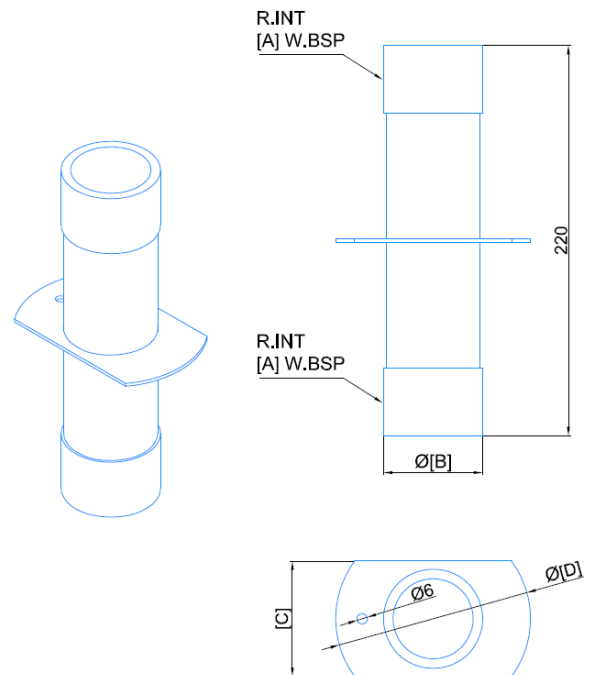
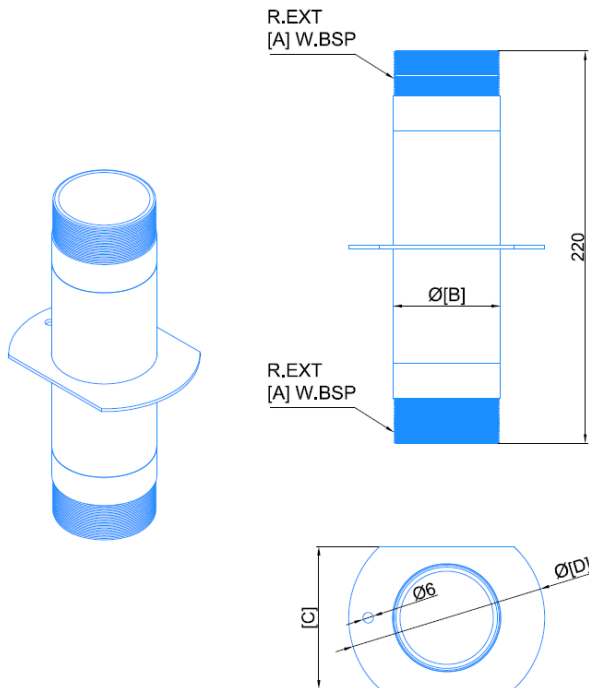
66615 FT-06.18_ES+EN

DIMENSIONES
DIMENSIONS

Código / Code:

66615, 66616, 66617
66618, 66619

66620, 66621, 66622
66623, 66624



66625, 66626, 66627, 66628, 66629

