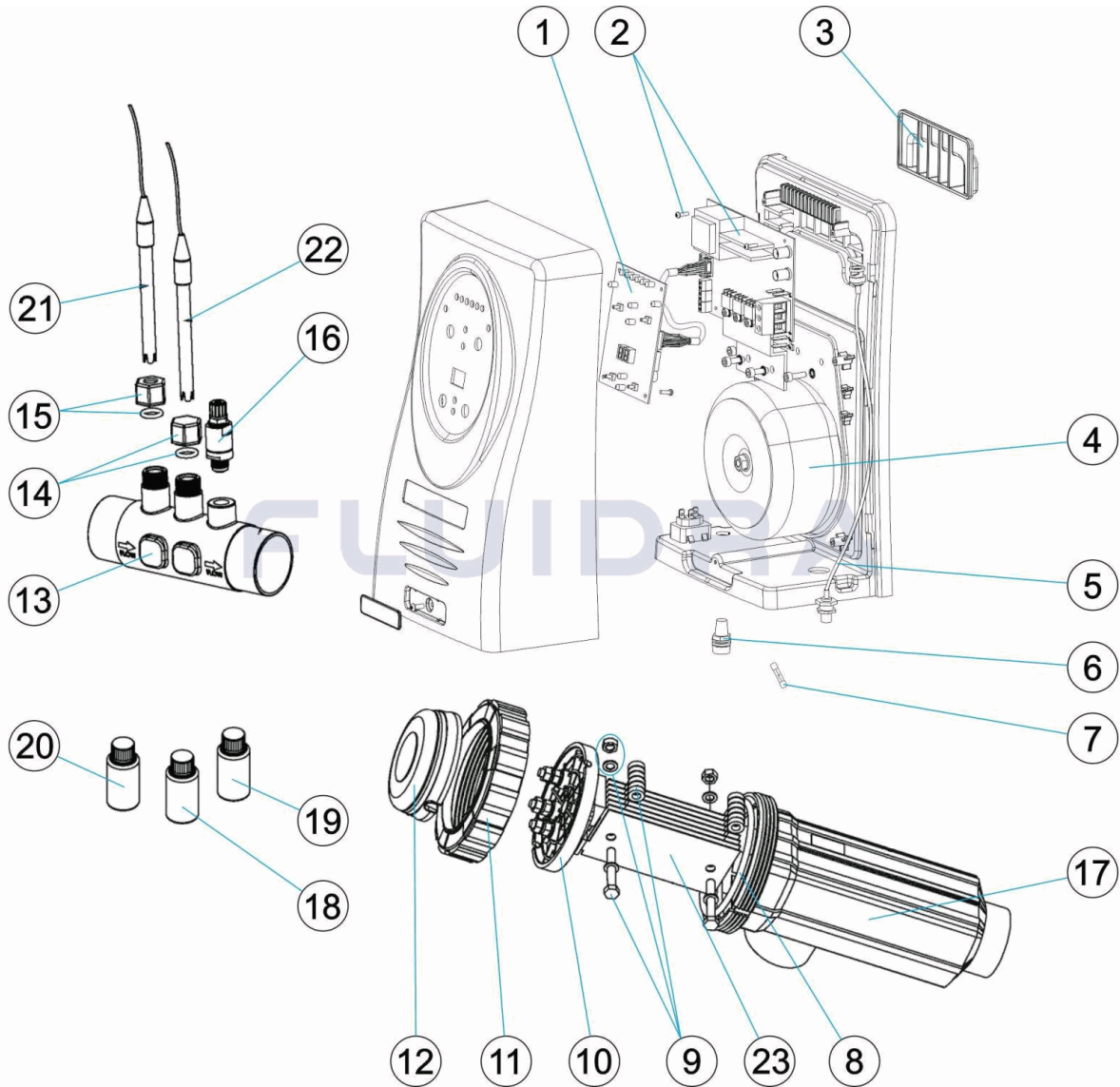


CODIGO 44362, 44363, 44364, 44365, 44366, 44367, 49633, 49634, 49635

DESCRIPCION: SPRINT CHLORE



ESPAÑOL

POS	CODIGO	DESCRIPCION	POS	CODIGO	DESCRIPCION
1	* CE08040054	TARJETA VISUALIZADORA ELECTROLISIS	4	* CE08041107	TRANSFORMADOR 370 VA
1	* CE08040055	TARJETA VISUALIZADORA ELECTROLISIS + PH	4	* CE08041202	TRANSFORMADOR 480 VA
1	* CE08040056	TARJETA VISUALIZADORA ELECTROLISIS + PH/ORP	5	CE08070069	CONECTOR BCN
2	* CE08041207	TARJETA POTENCIA AC-12	6	CE08040523	PORTAFUSIBLE 5X20 CHASIS
2	* CE08040058	TARJETA POTENCIA AC-12/PH	7	* CE08041113	FUSIBLE 2A
2	* CE08041303	TARJETA POTENCIA AC-12 (PH/ORP)	7	* CE08041114	FUSIBLE 3A
2	* CE08041115	TARJETA POTENCIA AC-22	7	* CE08041204	FUSIBLE 4A
2	* CE08040059	TARJETA POTENCIA AC-22/PH	8	CE08040510	JUNTA VASO EPDM.
2	* CE08041304	TARJETA POTENCIA AC-22 (PH/ORP)	9	CE08040073	KIT ANCLAJE ELECTRODOS DOMESTICO
2	* CE08041208	TARJETA POTENCIA AC-30	10	CE08040076	SOPORTE ELECTRODO ABIERTO TC
2	* CE08040060	TARJETA POTENCIA AC-30/PH	11	CE08040508	TUERCA CIERRE CELULA
2	* CE08041305	TARJETA POTENCIA AC-30 (PH/ORP)	12	CE08040509	PROTECTOR CONTACTOS
3	CE08041101	SOPORTE PARED CONTROLADOR	13	* CE08041018	PORTA-SONDAS DOBLE + PUNTO INYECCION INTI

* -> VER HOJA DE OBSERVACIONES

CODIGO **44362, 44363, 44364, 44365, 44366, 44367, 49633, 49634, 49635**DESCRIPCION: **SPRINT CHLORE**

4	* CE08041106	TRANSFORMADOR 190 VA	14	* CE08040067	TAPON Sonda PH/ORP PORTASONDA
15	* CE08040604	PORTAELECTRODOS PE 12M/M-1/2"	21	* 60648	ELECTRODO COMBINADO PH
16	* CE08040068	VALVULA INYECCION PH-MINUS 3/8"	22	* 60649	ELECTRODO ORP
17	57655	CELULA PORTA ELECTRODOS	23	* CLEL012	REPUESTO ELECTRODOS JUNIOR
18	* 60618	TAMPON PH 7,0 50 M/L. (VERDE)	23	* CLEL024	REPUESTO ELECTRODOS SENIOR
19	* 60632	TAMPON PH 4,0 50 ML. (ROJO)	23	* CLEL032	ELECTRODO MODELO PLUS
20	* 60633	SOLUCION CALIBRACION 470MV.			

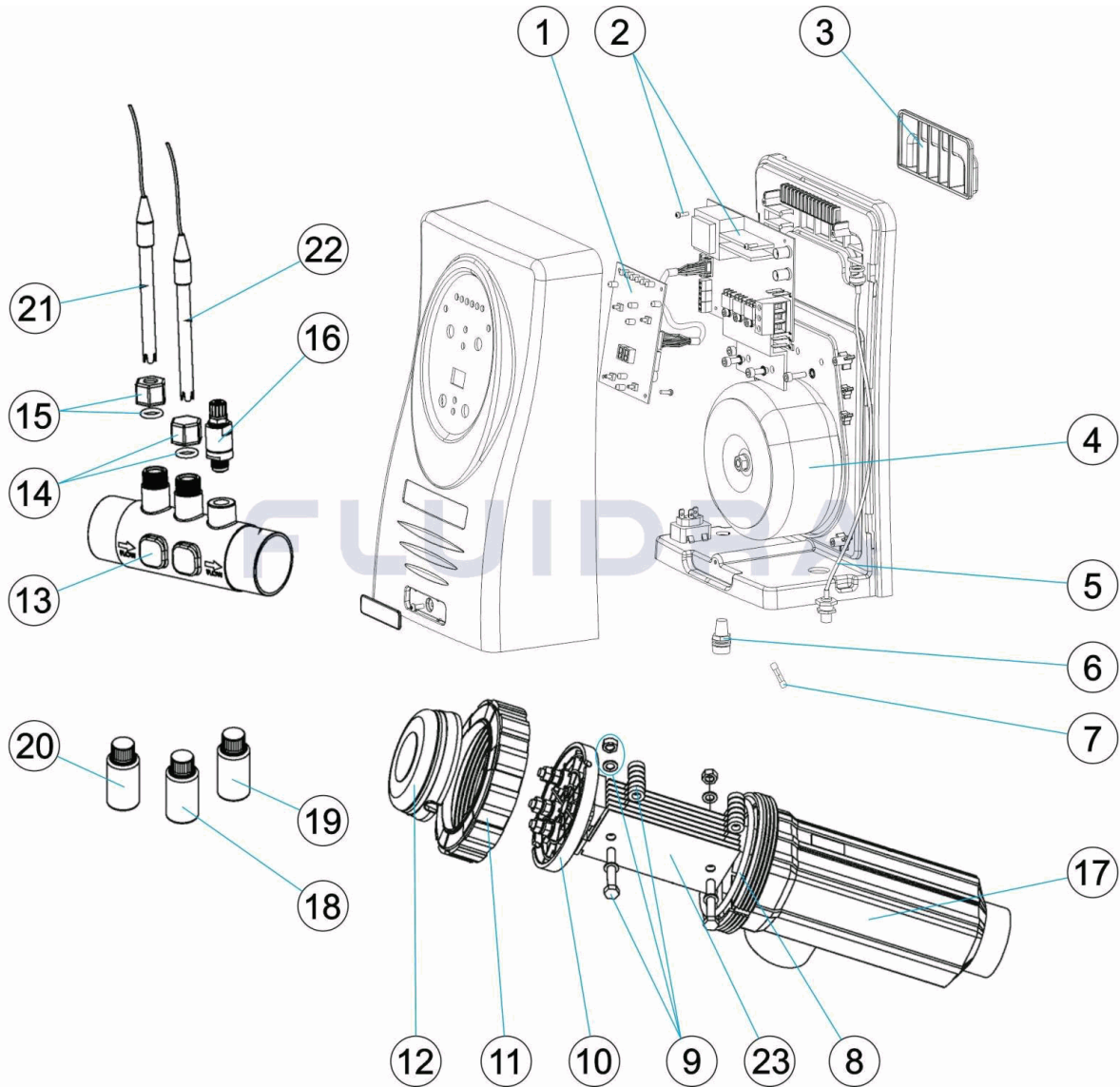
CODIGO **44362, 44363, 44364, 44365, 44366, 44367, 49633, 49634, 49635**DESCRIPCION: **SPRINT CHLORE**

OBSERVACIONES

POS	CODIGO	OBSERVACIONES
1	CE08040054	PARA: 44362, 44363, 44364
1	CE08040055	PARA: 44365, 44366, 44367
1	CE08040056	PARA: 49633, 49634, 49635
2	CE08041207	PARA: 44362
2	CE08040058	PARA: 44365
2	CE08041303	PARA: 49633
2	CE08041115	PARA: 44363
2	CE08040059	PARA: 44366
2	CE08041304	PARA: 49634
2	CE08041208	PARA: 44364
2	CE08040060	PARA: 44367
2	CE08041305	PARA: 49635
4	CE08041106	PARA: 44362, 44365, 49633
4	CE08041107	PARA: 44363, 44366, 49634
4	CE08041202	PARA: 44364, 44367, 49635
7	CE08041113	PARA: 44362, 44365, 49633
7	CE08041114	PARA: 44363, 44366, 49634
7	CE08041204	PARA: 44364, 44367, 49635
13	CE08041018	PARA: 49633, 49634, 49635
14	CE08040067	PARA: 49633, 49634, 49635
15	CE08040604	PARA: 44365, 44366, 44367, 49633, 49634, 49635
16	CE08040068	PARA: 49633, 49634, 49635
18	60618	PARA: 44365, 44366, 44367, 49633, 49634, 49635
19	60632	PARA: 44365, 44366, 44367, 49633, 49634, 49635
20	60633	PARA: 49633, 49634, 49635
21	60648	PARA: 44365, 44366, 44367, 49633, 49634, 49635
22	60649	PARA: 49633, 49634, 49635
23	CLEL012	PARA: 44362, 44365, 49633
23	CLEL024	PARA: 44363, 44366, 49634
23	CLEL032	PARA: 44364, 44367, 49635

CODE 44362, 44363, 44364, 44365, 44366, 44367, 49633, 49634, 49635

DESCRIPTION: SPRINT CHLORE



FRANCAIS

POS	CODE	DESCRIPTION	POS	CODE	DESCRIPTION
1	* CE08040054	CARTE DE VISUALISATION ELECTROLYSE	4	* CE08041107	TRANSFORMATEUR PUISSANCE 370VA
1	* CE08040055	CARTE D'INDICATION + PH	4	* CE08041202	TRANSFORMATEUR PUISSANCE 480VA
1	* CE08040056	CARTE D'INDICATION + PH/ORP	5	CE08070069	CONNECTEUR BCN
2	* CE08041207	CARTE PUISSANCE AC-12	6	CE08040523	PORTE-FUSIBLES 5X20 CHASSIS
2	* CE08040058	CARTE PUISSANCE AC-12/PH	7	* CE08041113	FUSIBLE 2A
2	* CE08041303	CARTE PUISSANCE AC-12 (PH/ORP)	7	* CE08041114	FUSIBLE 3A
2	* CE08041115	CARTE PUISSANCE AC-22	7	* CE08041204	FUSIBLE 4A
2	* CE08040059	CARTE PUISSANCE AC-22/PH	8	CE08040510	JOINT VASE EPDM
2	* CE08041304	CARTE PUISSANCE AC-22 (PH/ORP)	9	CE08040073	KIT ANCRAGE ÉLECTRODES KIT
2	* CE08041208	CARTE PUISSANCE AC-30	10	CE08040076	ÉLECTRODES DE RECHANGE SUPPORT OPEN TC
2	* CE08040060	CARTE PUISSANCE AC-30/PH	11	CE08040508	ECRU FERMETURE CELLULE
2	* CE08041305	CARTE PUISSANCE AC-30 (PH/ORP)	12	CE08040509	PROTECTEUR CONTACTS
3	CE08041101	BASE PAROI CONTRÔLEUR	13	* CE08041018	PORTE-SONDES DOUBLE + POINT D'INJECTION IN

* -> VOIR FICHE D'OBSERVATIONS

CODE **44362, 44363, 44364, 44365, 44366, 44367, 49633, 49634, 49635**DESCRIPTION: **SPRINT CHLORE**

4	* CE08041106	TRANSFORMATEUR PUISSANCE 190VA	14	* CE08040067	BOUCHON M-25 H
15	* CE08040604	PORTE-ÉLECTRODE PE 12MM. 1/2"	21	* 60648	ELECTRODE COMBINÉE PH
16	* CE08040068	VANNE INJECTION PH-MINUS 3/8"	22	* 60649	ELECTRODE ORP
17	57655	CELLULE PORTE-ÉLECTRODE	23	* CLEL012	ÉLECTRODES SPRINTCHLORE JUNIOR
18	* 60618	TAMPON PH 7,0 50 M/L. (VERT)	23	* CLEL024	ÉLECTRODES SPRINTCHLORE SENIOR
19	* 60632	TAMPON PH 4,0 50 ML. (ROUGE)	23	* CLEL032	ÉLECTRODES SPRINTCHLORE PLUS
20	* 60633	SOLUTION CALIBRAGE 470 MV			

CODE **44362, 44363, 44364, 44365, 44366, 44367, 49633, 49634, 49635**

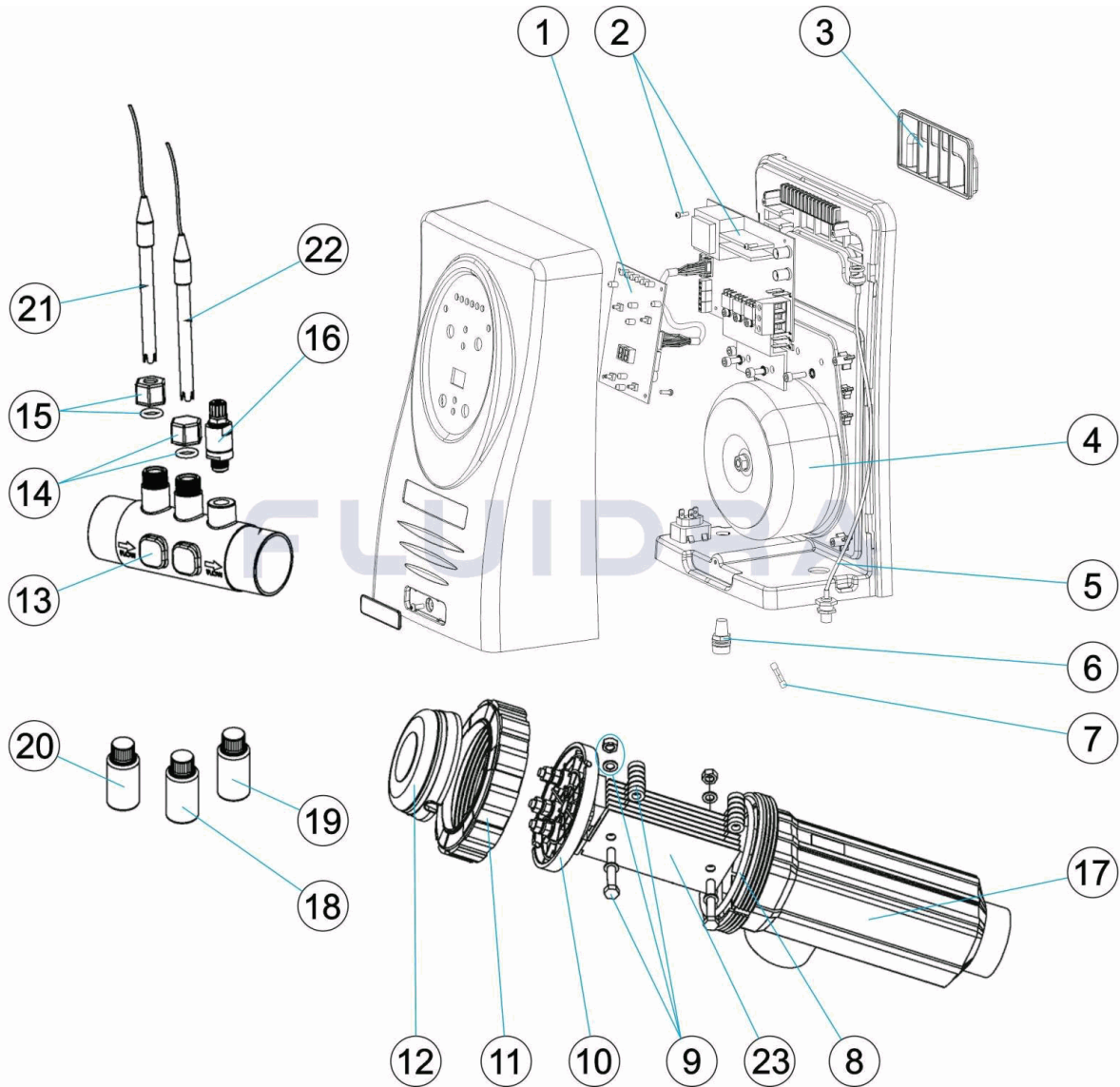
DESCRIPTION: **SPRINT CHLORE**

OBSERVATIONS

POS	CODE	OBSERVATIONS
1	CE08040054	POUR: 44362, 44363, 44364
1	CE08040055	POUR: 44365, 44366, 44367
1	CE08040056	POUR: 49633, 49634, 49635
2	CE08041207	POUR: 44362
2	CE08040058	POUR: 44365
2	CE08041303	POUR: 49633
2	CE08041115	POUR: 44363
2	CE08040059	POUR: 44366
2	CE08041304	POUR: 49634
2	CE08041208	POUR: 44364
2	CE08040060	POUR: 44367
2	CE08041305	POUR: 49635
4	CE08041106	POUR: 44362, 44365, 49633
4	CE08041107	POUR: 44363, 44366, 49634
4	CE08041202	POUR: 44364, 44367, 49635
7	CE08041113	POUR: 44362, 44365, 49633
7	CE08041114	POUR: 44363, 44366, 49634
7	CE08041204	POUR: 44364, 44367, 49635
13	CE08041018	POUR: 49633, 49634, 49635
14	CE08040067	POUR: 49633, 49634, 49635
15	CE08040604	POUR: 44365, 44366, 44367, 49633, 49634, 49635
16	CE08040068	POUR: 49633, 49634, 49635
18	60618	POUR: 44365, 44366, 44367, 49633, 49634, 49635
19	60632	POUR: 44365, 44366, 44367, 49633, 49634, 49635
20	60633	POUR: 49633, 49634, 49635
21	60648	POUR: 44365, 44366, 44367, 49633, 49634, 49635
22	60649	POUR: 49633, 49634, 49635
23	CLEL012	POUR: 44362, 44365, 49633
23	CLEL024	POUR: 44363, 44366, 49634
23	CLEL032	POUR: 44364, 44367, 49635

CODE 44362, 44363, 44364, 44365, 44366, 44367, 49633, 49634, 49635

DESCRIPTION: SPRINT CHLORE



ENGLISH

POS	CODE	DESCRIPTION	POS	CODE	DESCRIPTION
1	* CE08040054	ELECTROLYSIS DISPLAY CARD	4	* CE08041107	POWER TRANSFORMER 370 VA
1	* CE08040055	DISPLAY/POWER CARD + PH	4	* CE08041202	POWER TRANSFORMER 480 VA
1	* CE08040056	DISPLAY/POWER CARD + PH/ORP	5	CE08070069	BCN CONNECTOR
2	* CE08041207	POWER CARD AC-12	6	CE08040523	FUSE HOLDER 5X20
2	* CE08040058	POWER CARD AC-12/PH	7	* CE08041113	FUSE 2A
2	* CE08041303	POWER CARD AC-12 (PH/ORP)	7	* CE08041114	FUSE 3A
2	* CE08041115	POWER CARD AC-22	7	* CE08041204	FUSE 4A
2	* CE08040059	POWER CARD AC-22/PH	8	CE08040510	GASKET EPDM FÜR ZELLE
2	* CE08041304	POWER CARD AC-22 (PH/ORP)	9	CE08040073	ELECTRODE FIXING KIT
2	* CE08041208	POWER CARD AC-30	10	CE08040076	TC ELECTRODE HOLDER
2	* CE08040060	POWER CARD AC-30/PH	11	CE08040508	CLOSINGNUT FOR CELL
2	* CE08041305	POWER CARD AC-30 (PH/ORP)	12	CE08040509	CONTACT PROTECTION
3	CE08041101	CONTROLLER WALL BASE	13	* CE08041018	PROBE CARRIERDOUBLE + INTEGRATED INJECTI

* -> SEE OBSERVATIONS SHEET

CODE **44362, 44363, 44364, 44365, 44366, 44367, 49633, 49634, 49635**

DESCRIPTION: **SPRINT CHLORE**

4	* CE08041106	POWER TRANSFORMER 190 VA	14	* CE08040067	PLUG M-25 H
15	* CE08040604	ELECTRODE CARRIER PE 12M/M.-1/2"	21	* 60648	ELECTRODE PH
16	* CE08040068	PH-MINUS INJECTION VALVE 3/8"	22	* 60649	ORP ELECTRODE
17	57655	ELECTRODE CELL	23	* CLEL012	SPRINTCHLORE JUNIOR ELECTRODES
18	* 60618	CALIBRATION SOLUTION PH 7,0 50 M/L. (GREEN)	23	* CLEL024	SPRINTCHLORE SENIOR ELECTRODES
19	* 60632	CALIBRATION SOLUTION PH 4,0 50 ML. (RED)	23	* CLEL032	SPRINTCHLORE PLUS ELECTRODES
20	* 60633	CALIBRATION SOLUTION ORP 470 MV			

CODE **44362, 44363, 44364, 44365, 44366, 44367, 49633, 49634, 49635**

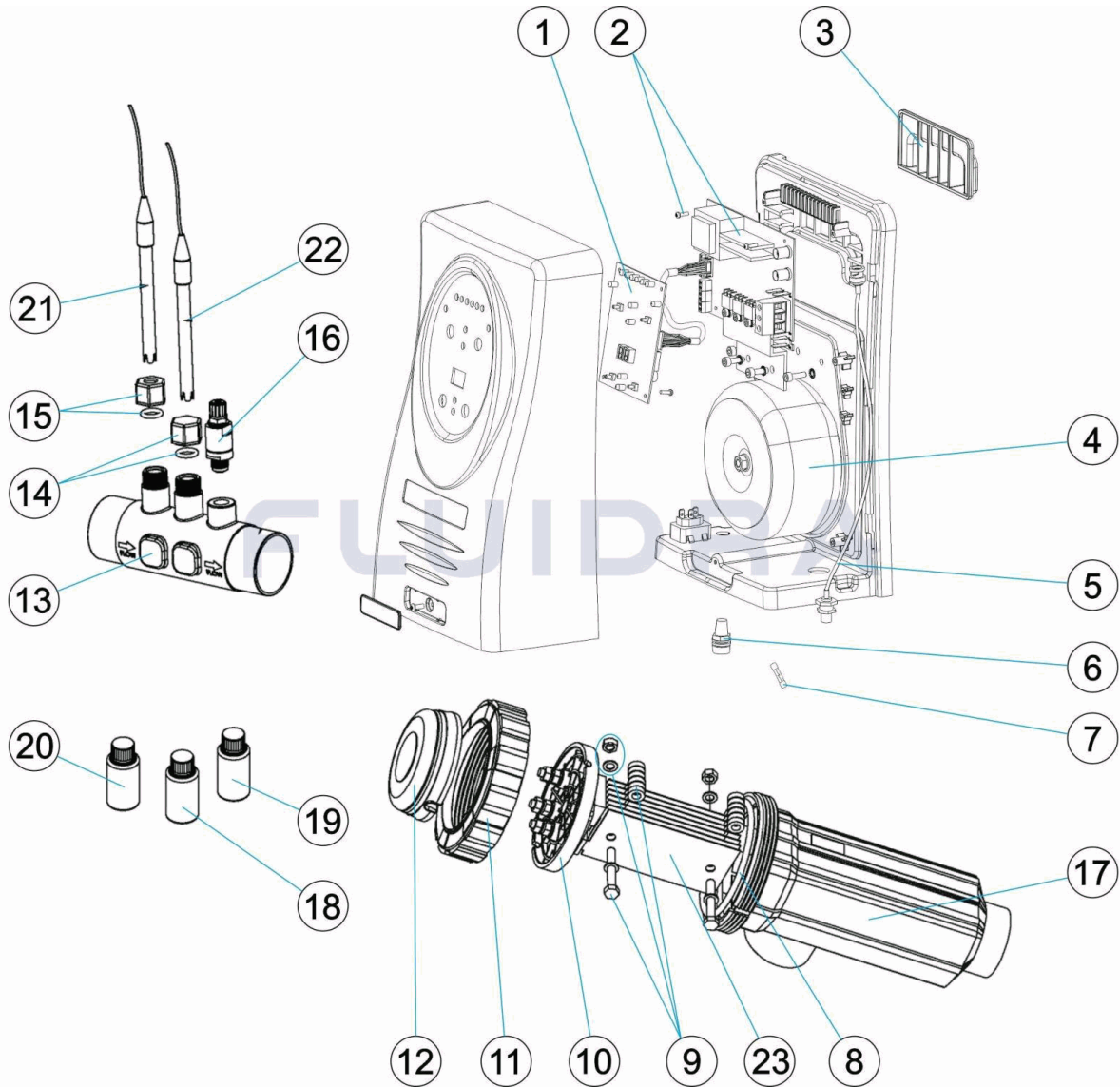
DESCRIPTION: **SPRINT CHLORE**

OBSERVATIONS

POS	CODE	OBSERVATIONS
1	CE08040054	FOR: 44362, 44363, 44364
1	CE08040055	FOR: 44365, 44366, 44367
1	CE08040056	FOR: 49633, 49634, 49635
2	CE08041207	FOR: 44362
2	CE08040058	FOR: 44365
2	CE08041303	FOR: 49633
2	CE08041115	FOR: 44363
2	CE08040059	FOR: 44366
2	CE08041304	FOR: 49634
2	CE08041208	FOR: 44364
2	CE08040060	FOR: 44367
2	CE08041305	FOR: 49635
4	CE08041106	FOR: 44362, 44365, 49633
4	CE08041107	FOR: 44363, 44366, 49634
4	CE08041202	FOR: 44364, 44367, 49635
7	CE08041113	FOR: 44362, 44365, 49633
7	CE08041114	FOR: 44363, 44366, 49634
7	CE08041204	FOR: 44364, 44367, 49635
13	CE08041018	FOR: 49633, 49634, 49635
14	CE08040067	FOR: 49633, 49634, 49635
15	CE08040604	FOR: 44365, 44366, 44367, 49633, 49634, 49635
16	CE08040068	FOR: 49633, 49634, 49635
18	60618	FOR: 44365, 44366, 44367, 49633, 49634, 49635
19	60632	FOR: 44365, 44366, 44367, 49633, 49634, 49635
20	60633	FOR: 49633, 49634, 49635
21	60648	FOR: 44365, 44366, 44367, 49633, 49634, 49635
22	60649	FOR: 49633, 49634, 49635
23	CLEL012	FOR: 44362, 44365, 49633
23	CLEL024	FOR: 44363, 44366, 49634
23	CLEL032	FOR: 44364, 44367, 49635

CODICE 44362, 44363, 44364, 44365, 44366, 44367, 49633, 49634, 49635

DESCRIZIONE: SPRINT CHLORE



ITALIANO

POS	CODICE	DESCRIZIONE	POS	CODICE	DESCRIZIONE
1	* CE08040054	CARTA D'INDICAZIONE ELETTROLISI	4	* CE08041107	TRANSFORMATORE POTENZA 370 VA
1	* CE08040055	CARTA D'INDICAZIONE + PH	4	* CE08041202	TRANSFORMATORE POTENZA 480 VA
1	* CE08040056	CARTA D'INDICAZIONE + PH/ORP	5	CE08070069	CONNETTORE BCN
2	* CE08041207	CARTA POTENZA AC-12	6	CE08040523	PORTAFUSIBILI 5X20 CORPO
2	* CE08040058	CARTA POTENZA AC-12/PH	7	* CE08041113	FUSIVILE 2A
2	* CE08041303	CARTA POTENZA AC-12 (PH/ORP)	7	* CE08041114	FUSIVILE 3A
2	* CE08041115	CARTA POTENZA AC-22	7	* CE08041204	FUSIVILE 4A
2	* CE08040059	CARTA POTENZA AC-22/PH	8	CE08040510	GUARNICIONE COPERCHIO CELLA
2	* CE08041304	CARTA POTENZA AC-22 (PH/ORP)	9	CE08040073	ELETTRODI KIT ANCORAGGIO
2	* CE08041208	CARTA POTENZA AC-30	10	CE08040076	ELETTRODI DI RICAMBIO RICHIESTA SOSTEGNO
2	* CE08040060	CARTA POTENZA AC-30/PH	11	CE08040508	GHIERA CHIUSURA CELLA
2	* CE08041305	CARTA POTENZA AC-30 (PH/ORP)	12	CE08040509	PROTECTORE CONTATTI
3	CE08041101	BASE PARETE CONTROLLATORE	13	* CE08041018	PORTA SONDA DOPPIO PUNTO INIEZIONE

* -> SI FACCI RIFERIMENTO AL FOGLIO DELLE OSSERVAZIONI

CODICE **44362, 44363, 44364, 44365, 44366, 44367, 49633, 49634, 49635**DESCRIZIONE: **SPRINT CHLORE**

4	* CE08041106	TRANSFORMATORE POTENZA 190 VA	14	* CE08040067	TAPPO M-25 H
15	* CE08040604	PORTAELETTODO PE 12MM. X 1/2"	21	* 60648	ELETTRODO COMBINATO PH
16	* CE08040068	VALVOLA INIEZIONE PH-MINUS 3/8"	22	* 60649	ELETTRODO RX
17	57655	CELLA PORTAELETTRODI	23	* CLEL012	ELETTRODI SPRINTCHLORE JUNIOR
18	* 60618	SOLUCIONE TAMPONE PH 7,0 50 M/L. (VERDE)	23	* CLEL024	ELETTRODI SPRINTCHLORE SENIOR
19	* 60632	SOLUCIONE TAMPONE PH 4,0 50 ML. (ROSSO)	23	* CLEL032	ELETTRODI SPRINTCHLORE PLUS
20	* 60633	SOLUCIONE CALIBRAZIONE 470MV.			

CODICE **44362, 44363, 44364, 44365, 44366, 44367, 49633, 49634, 49635**

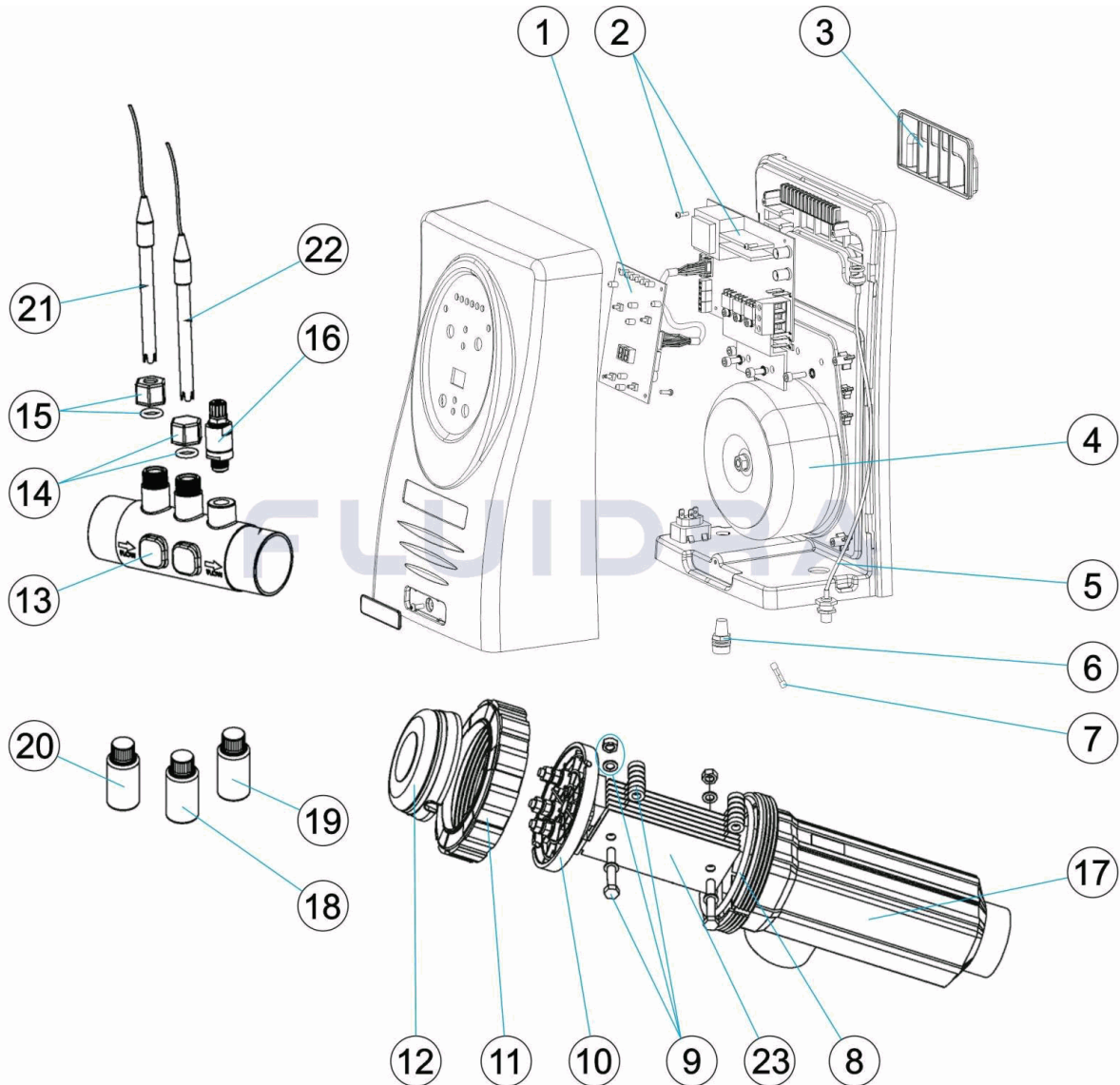
DESCRIZIONE: **SPRINT CHLORE**

OSSERVAZIONI

POS	CODICE	OSSERVAZIONI
1	CE08040054	PER: 44362, 44363, 44364
1	CE08040055	PER: 44365, 44366, 44367
1	CE08040056	PER: 49633, 49634, 49635
2	CE08041207	PER: 44362
2	CE08040058	PER: 44365
2	CE08041303	PER: 49633
2	CE08041115	PER: 44363
2	CE08040059	PER: 44366
2	CE08041304	PER: 49634
2	CE08041208	PER: 44364
2	CE08040060	PER: 44367
2	CE08041305	PER: 49635
4	CE08041106	PER: 44362, 44365, 49633
4	CE08041107	PER: 44363, 44366, 49634
4	CE08041202	PER: 44364, 44367, 49635
7	CE08041113	PER: 44362, 44365, 49633
7	CE08041114	PER: 44363, 44366, 49634
7	CE08041204	PER: 44364, 44367, 49635
13	CE08041018	PER: 49633, 49634, 49635
14	CE08040067	PER: 49633, 49634, 49635
15	CE08040604	PER: 44365, 44366, 44367, 49633, 49634, 49635
16	CE08040068	PER: 49633, 49634, 49635
18	60618	PER: 44365, 44366, 44367, 49633, 49634, 49635
19	60632	PER: 44365, 44366, 44367, 49633, 49634, 49635
20	60633	PER: 49633, 49634, 49635
21	60648	PER: 44365, 44366, 44367, 49633, 49634, 49635
22	60649	PER: 49633, 49634, 49635
23	CLEL012	PER: 44362, 44365, 49633
23	CLEL024	PER: 44363, 44366, 49634
23	CLEL032	PER: 44364, 44367, 49635

CODE 44362, 44363, 44364, 44365, 44366, 44367, 49633, 49634, 49635

BESCHREIBUNG: SPRINT CHLORE



DEUTSCH

POS	CODE	BESCHREIBUNG	POS	CODE	BESCHREIBUNG
1	* CE08040054	VISUALISIERPLATINE ELEKTROLYSE	4	* CE08041107	TRAFO 370 VA
1	* CE08040055	VISUALISIERPLATINE ELEKTROLYSE MIT PH	4	* CE08041202	TRAFO 480 VA
1	* CE08040056	BILDSCHIRM ELEKTROLYSE UND PH/ORP	5	CE08070069	STECKKUPPLUNG BCN
2	* CE08041207	LEISTUNGSPLATINE AC - 12	6	CE08040523	SICHERUNGSSITZ 5 X 20 RAHMEN
2	* CE08040058	LEISTUNGSPLATINE AC - 12/PH	7	* CE08041113	SICHERUNG 2 A
2	* CE08041303	LEISTUNGSPLATINE AC-12 (PH/ORP)	7	* CE08041114	SICHERUNG 3 A
2	* CE08041115	LEISTUNGSPLATINE AC - 22	7	* CE08041204	SICHERUNG 4 A
2	* CE08040059	LEISTUNGSPLATINE AC - 22/PH	8	CE08040510	DICHTUNG GEHÄUSE EPDM.
2	* CE08041304	LEISTUNGSPLATINE AC-22 (PH/ORP)	9	CE08040073	KIT VERANKERUNG ELEKTRODEN
2	* CE08041208	LEISTUNGSPLATINE AC - 30	10	CE08040076	HALTERUNG ELEKTRODE OFFEN TC
2	* CE08040060	LEISTUNGSPLATINE AC - 30/PH	11	CE08040508	MUTTER SCHLISSVORRICHTUNG ZELLE
2	* CE08041305	LEISTUNGSPLATINE AC-30 (PH/ORP)	12	CE08040509	KONTAKTSCHUTZ
3	CE08041101	WANDHALTERUNG STEUERUNG	13	* CE08041018	SONDENHALTERUNG DOPPELT MIT INTEGRIERTE

* -> SIEHE ANMERKUNGSBLATT

CODE **44362, 44363, 44364, 44365, 44366, 44367, 49633, 49634, 49635**

BESCHREIBUNG: **SPRINT CHLORE**

4	* CE08041106	TRAFO 190 VA	14	* CE08040067	STOPFEN PH/OPR-SONDE SONDENHALTERUNG
15	* CE08040604	ELEKTRODENSITZ PE 12 MM-1/2"	21	* 60648	ELEKTRODE KOMBINIERT PH
16	* CE08040068	INJEKTORVENTIL PH-MINUS 3/8"	22	* 60649	ORP-ELEKTRODE
17	57655	ELEKTRODENZELLE	23	* CLEL012	ERSATZ ELEKTRODEN JUNIOR
18	* 60618	PUFFER PH 7,0 50 M/L (GRÜN)	23	* CLEL024	ERSATZ ELEKTRODEN SENIOR
19	* 60632	PUFFER PH 4,0 50 ML (ROT)	23	* CLEL032	ELEKTRODE MODELL PLUS
20	* 60633	KALIBRIERLÖSUNG 47 0MV			

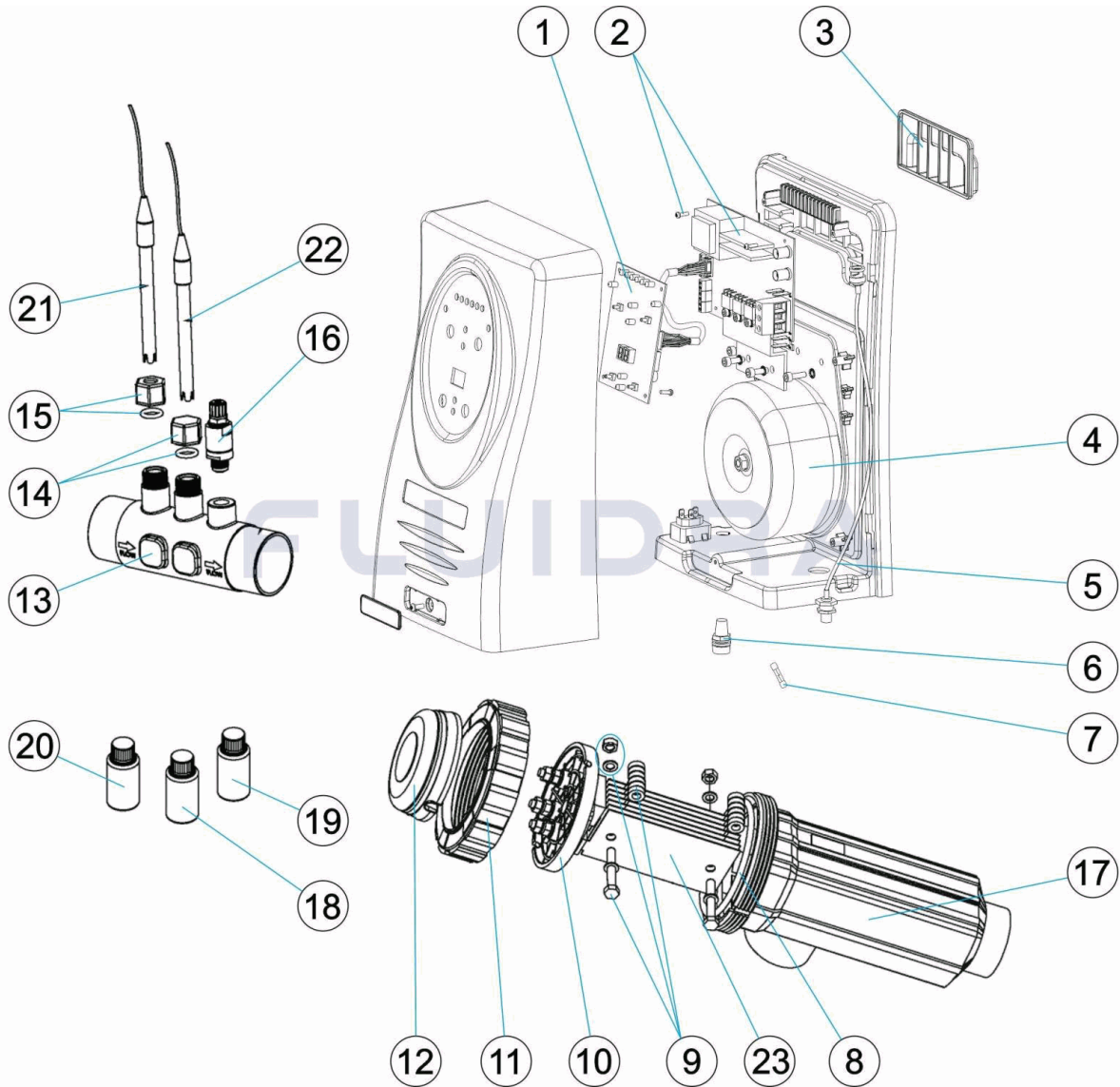
CODE **44362, 44363, 44364, 44365, 44366, 44367, 49633, 49634, 49635**BESCHREIBUNG: **SPRINT CHLORE**

HINWEISE

POS	CODE	HINWEISE
1	CE08040054	FÜR: 44362, 44363, 44364
1	CE08040055	FÜR: 44365, 44366, 44367
1	CE08040056	FÜR: 49633, 49634, 49635
2	CE08041207	FÜR: 44362
2	CE08040058	FÜR: 44365
2	CE08041303	FÜR: 49633
2	CE08041115	FÜR: 44363
2	CE08040059	FÜR: 44366
2	CE08041304	FÜR: 49634
2	CE08041208	FÜR: 44364
2	CE08040060	FÜR: 44367
2	CE08041305	FÜR: 49635
4	CE08041106	FÜR: 44362, 44365, 49633
4	CE08041107	FÜR: 44363, 44366, 49634
4	CE08041202	FÜR: 44364, 44367, 49635
7	CE08041113	FÜR: 44362, 44365, 49633
7	CE08041114	FÜR: 44363, 44366, 49634
7	CE08041204	FÜR: 44364, 44367, 49635
13	CE08041018	FÜR: 49633, 49634, 49635
14	CE08040067	FÜR: 49633, 49634, 49635
15	CE08040604	FÜR: 44365, 44366, 44367, 49633, 49634, 49635
16	CE08040068	FÜR: 49633, 49634, 49635
18	60618	FÜR: 44365, 44366, 44367, 49633, 49634, 49635
19	60632	FÜR: 44365, 44366, 44367, 49633, 49634, 49635
20	60633	FÜR: 49633, 49634, 49635
21	60648	FÜR: 44365, 44366, 44367, 49633, 49634, 49635
22	60649	FÜR: 49633, 49634, 49635
23	CLEL012	FÜR: 44362, 44365, 49633
23	CLEL024	FÜR: 44363, 44366, 49634
23	CLEL032	FÜR: 44364, 44367, 49635

CODIGO 44362, 44363, 44364, 44365, 44366, 44367, 49633, 49634, 49635

DESCRIÇÃO: SPRINT CHLORE



PORTUGUES

POS	CODIGO	DESCRIÇÃO	POS	CODIGO	DESCRIÇÃO
1	* CE08040054	TARJETAINDICASAOELECTROLISE	4	* CE08041107	TRANSFORMADOR POTÊNCIA 370VA
1	* CE08040055	TARJETA INDICAÇÃO + PH	4	* CE08041202	TRANSFORMADOR POTÊNCIA 480VA
1	* CE08040056	TARJETA INDICAÇÃO + PH/ORP	5	CE08070069	LIGAÇÃO BCN
2	* CE08041207	TARJETA POTÊNCIA AC-12	6	CE08040523	PORTAFUSIVEIS 5X20 CHASIS
2	* CE08040058	TARJETA POTÊNCIA AC-12/PH	7	* CE08041113	FUSÍVEL 2A
2	* CE08041303	TARJETA POTÊNCIA AC-12 (PH/ORP)	7	* CE08041114	FUSÍVEL 3A
2	* CE08041115	TARJETA POTÊNCIA AC-22	7	* CE08041204	FUSÍVEL 4A
2	* CE08040059	TARJETA POTÊNCIA AC-22/PH	8	CE08040510	JUNTA EPDM COPO
2	* CE08041304	TARJETA POTÊNCIA AC-22 (PH/ORP)	9	CE08040073	KIT ÂNCORA ELETRODOS KIT
2	* CE08041208	TARJETA POTÊNCIA AC-30	10	CE08040076	ELETRODOS DE REPOSIÇÃO APOIO ABERTO TC
2	* CE08040060	TARJETA POTÊNCIA AC-30/PH	11	CE08040508	TAMPA ROSCADA DE FECHO DA VASO
2	* CE08041305	TARJETA POTÊNCIA AC-30 (PH/ORP)	12	CE08040509	PROTECTOR CONTACTOS
3	CE08041101	BASE PAREDE CONTROLADOR	13	* CE08041018	PORTA-SONDAS DUPLO + PUNTO INJEC. INT

* -> VEJA A FICHA DE OBSERVAÇÕES

CODIGO **44362, 44363, 44364, 44365, 44366, 44367, 49633, 49634, 49635**DESCRIÇÃO: **SPRINT CHLORE**

4	* CE08041106	TRANSFORMADOR POTÊNCIA 190VA	14	* CE08040067	TAMPÃO M-25 H
15	* CE08040604	PORTAELECTRODOS PE 12M/M-1/2"	21	* 60648	ELECTRODO COMBINADO PH
16	* CE08040068	VALVOLA INJEÇÃO PH-MINUS 3/8"	22	* 60649	ELECTRODO ORP
17	57655	VASO PORTA-ELECTRODOS	23	* CLEL012	ELÉCTRODOS SPRINTCHLORE JUNIOR
18	* 60618	SOLUÇÃO TAMPÃO PH 7,0 50 M/L. (VERDE)	23	* CLEL024	ELÉCTRODOS SPRINTCHLORE SENIOR
19	* 60632	SOLUÇÃO TAMPÃO PH 4,0 50 M/L. (VERMELHO)	23	* CLEL032	ELÉCTRODOS SPRINTCHLORE PLUS
20	* 60633	SOLUÇÃO TAMPÃO 470 MV			

CODIGO **44362, 44363, 44364, 44365, 44366, 44367, 49633, 49634, 49635**DESCRIÇÃO: **SPRINT CHLORE****OBSERVACÕES**

POS	CODIGO	OBSERVACÕES
1	CE08040054	PARA: 44362, 44363, 44364
1	CE08040055	PARA: 44365, 44366, 44367
1	CE08040056	PARA: 49633, 49634, 49635
2	CE08041207	PARA: 44362
2	CE08040058	PARA: 44365
2	CE08041303	PARA: 49633
2	CE08041115	PARA: 44363
2	CE08040059	PARA: 44366
2	CE08041304	PARA: 49634
2	CE08041208	PARA: 44364
2	CE08040060	PARA: 44367
2	CE08041305	PARA: 49635
4	CE08041106	PARA: 44362, 44365, 49633
4	CE08041107	PARA: 44363, 44366, 49634
4	CE08041202	PARA: 44364, 44367, 49635
7	CE08041113	PARA: 44362, 44365, 49633
7	CE08041114	PARA: 44363, 44366, 49634
7	CE08041204	PARA: 44364, 44367, 49635
13	CE08041018	PARA: 49633, 49634, 49635
14	CE08040067	PARA: 49633, 49634, 49635
15	CE08040604	PARA: 44365, 44366, 44367, 49633, 49634, 49635
16	CE08040068	PARA: 49633, 49634, 49635
18	60618	PARA: 44365, 44366, 44367, 49633, 49634, 49635
19	60632	PARA: 44365, 44366, 44367, 49633, 49634, 49635
20	60633	PARA: 49633, 49634, 49635
21	60648	PARA: 44365, 44366, 44367, 49633, 49634, 49635
22	60649	PARA: 49633, 49634, 49635
23	CLEL012	PARA: 44362, 44365, 49633
23	CLEL024	PARA: 44363, 44366, 49634
23	CLEL032	PARA: 44364, 44367, 49635