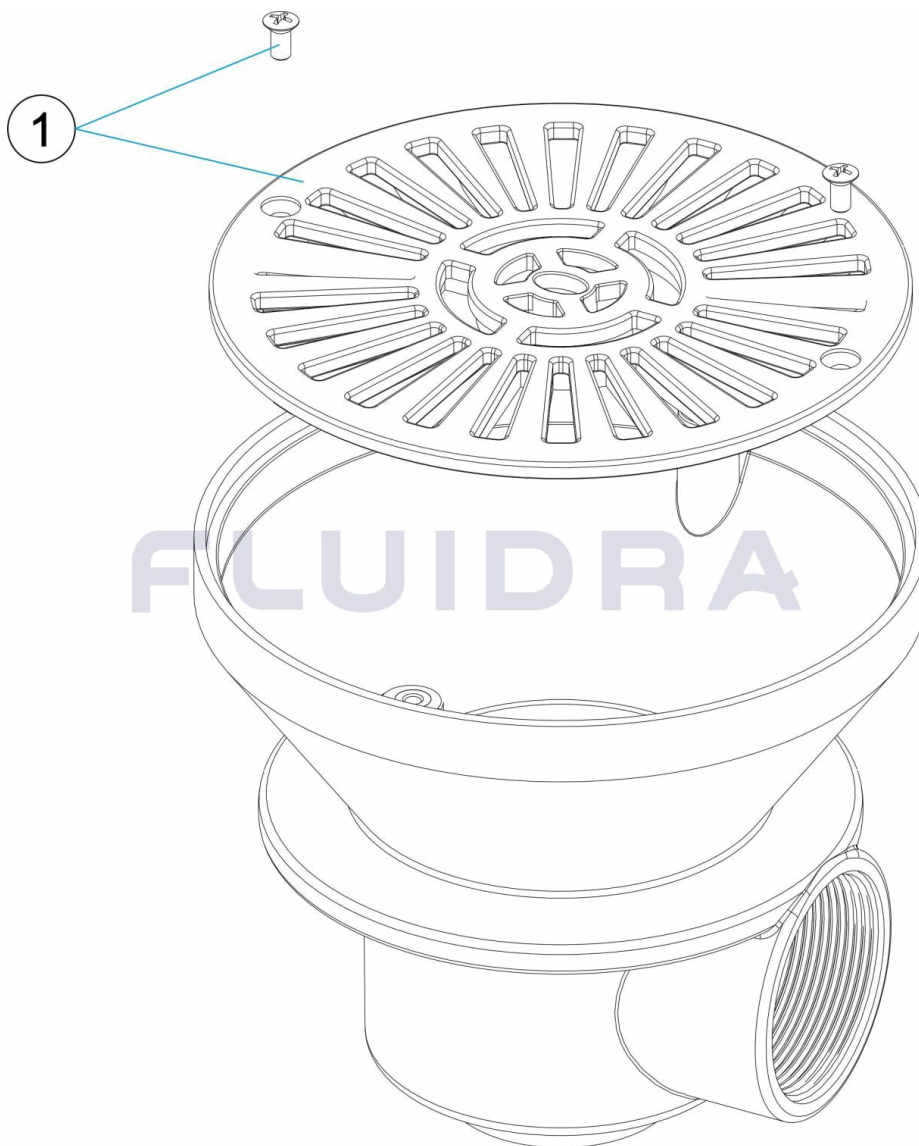


CODIGO **01467, 01467CL090, 01467CL129, 01467CL144**

DESCRIPCION: **SUMIDERO D. 180 PH SALIDA LATERAL 2"**



ESPAÑOL

POS	CODIGO	DESCRIPCION	POS	CODIGO	DESCRIPCION
1	* 440202021	REJA SUMIDERO 2'	1	* 4402020045	REJA SUMIDERO 2'
1	* 4402020044	REJA SUMIDERO 2'	1	* 4402020028	REJA SUMIDERO 2'

CODIGO 01467, 01467CL090, 01467CL129, 01467CL144

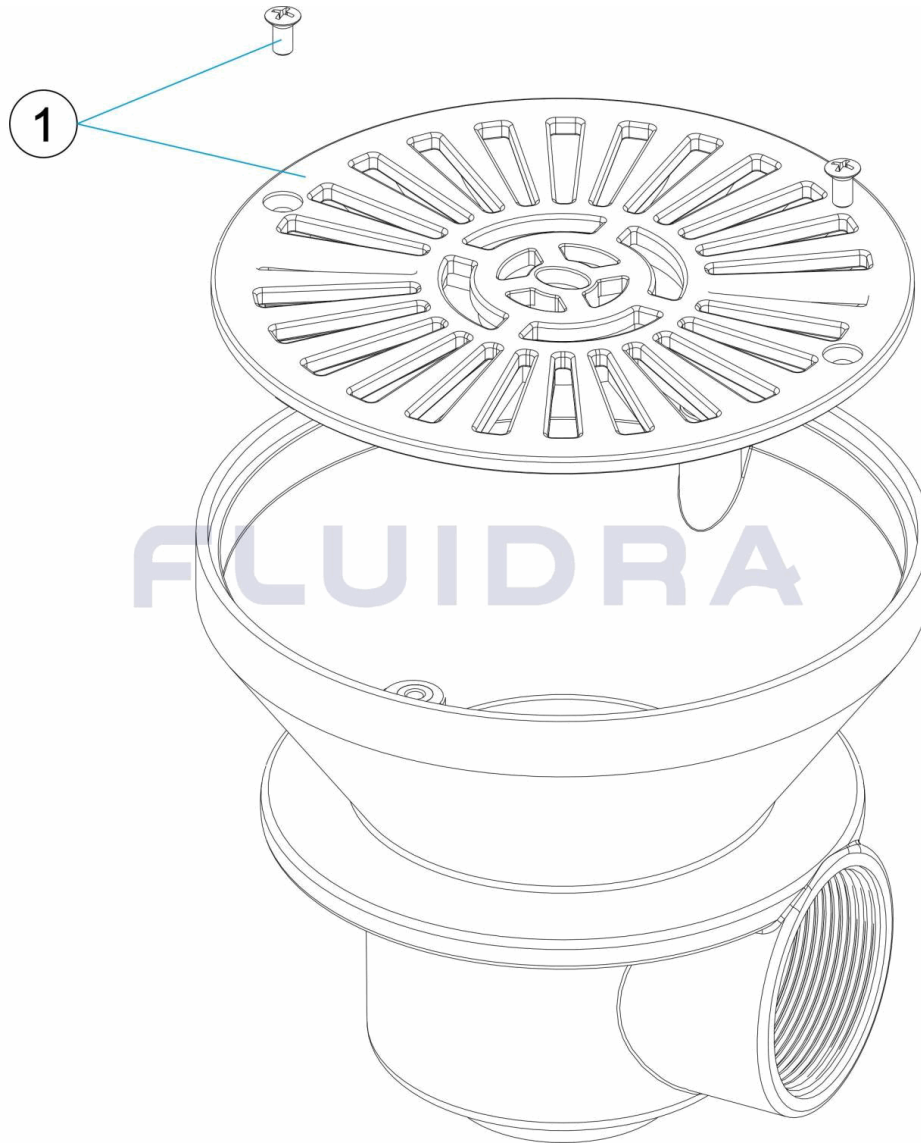
DESCRIPCION: SUMIDERO D. 180 PH SALIDA LATERAL 2"

OBSERVACIONES

POS	CODIGO	OBSERVACIONES
1	4402020201	PARA: 01467 BLANCO / WHITE
1	4402020044	PARA: 01467CL090 BEIGE
1	4402020045	PARA: 01467CL129 GRIS / GREY
1	4402020028	PARA: 01467CL144 ANTRACITA / ANTHRACITE

CODE **01467, 01467CL090, 01467CL129, 01467CL144**

DESCRIPTION: **BONDE D. 180 PH SORTIE LATÉRALE 2"**



FRANCAIS

POS	CODE	DESCRIPTION	POS	CODE	DESCRIPTION
1	* 440202021	GRILLE 2'	1	* 4402020045	GRILLE 2'
1	* 4402020044	GRILLE 2'	1	* 4402020028	GRILLE 2'

CODE **01467, 01467CL090, 01467CL129, 01467CL144**

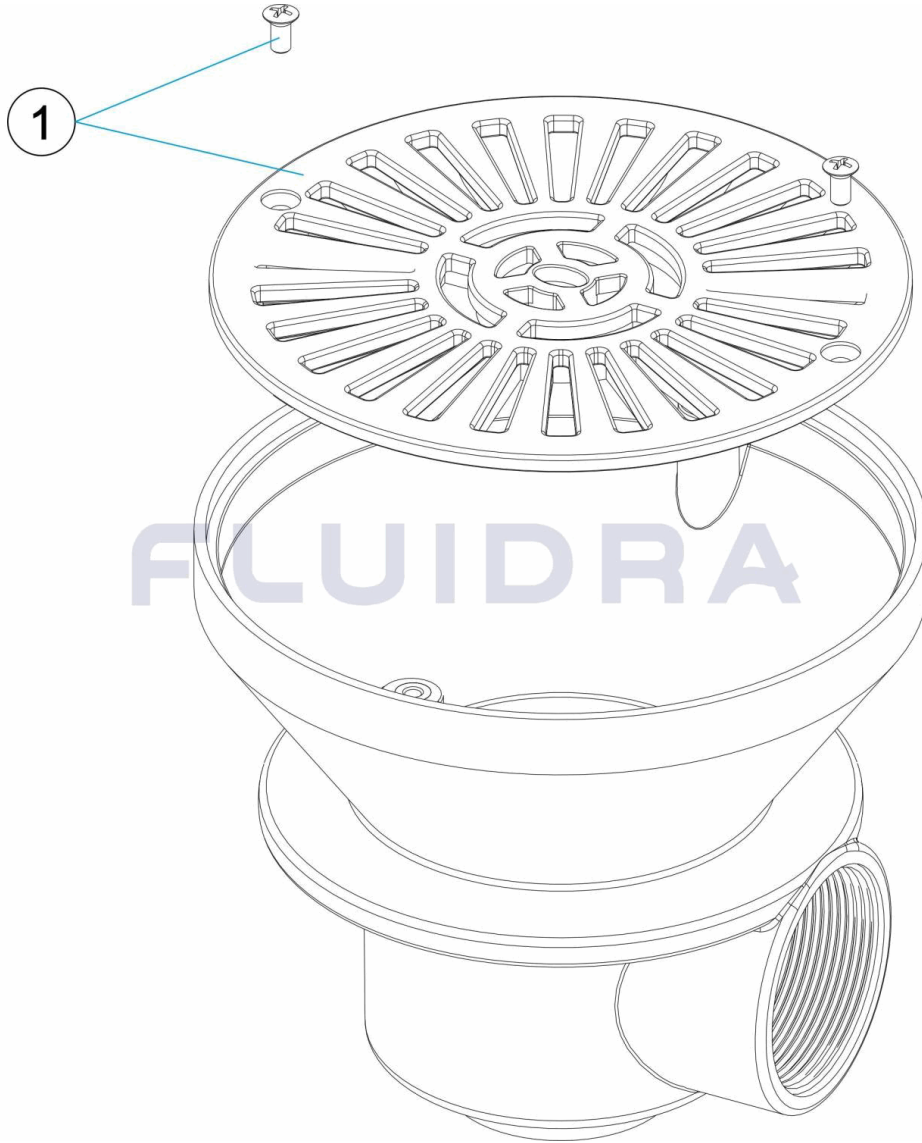
DESCRIPTION: **BONDE D. 180 PH SORTIE LATÉRALE 2"**

OBSERVATIONS

POS	CODE	OBSERVATIONS
1	4402020201	POUR: 01467 BLANCO / WHITE
1	4402020044	POUR: 01467CL090 BEIGE
1	4402020045	POUR: 01467CL129 GRIS / GREY
1	4402020028	POUR: 01467CL144 ANTRACITA / ANTHRACITE

CODE **01467, 01467CL090, 01467CL129, 01467CL144**

DESCRIPTION: **DRAIN D.180 PH SIDE OUTLET 2"**



ENGLISH

POS	CODE	DESCRIPTION	POS	CODE	DESCRIPTION
1	* 440202021	2" DRAIN GRILLE	1	* 440202045	2" DRAIN GRILLE
1	* 440202044	2" DRAIN GRILLE	1	* 440202028	2" DRAIN GRILLE

CODE **01467, 01467CL090, 01467CL129, 01467CL144**

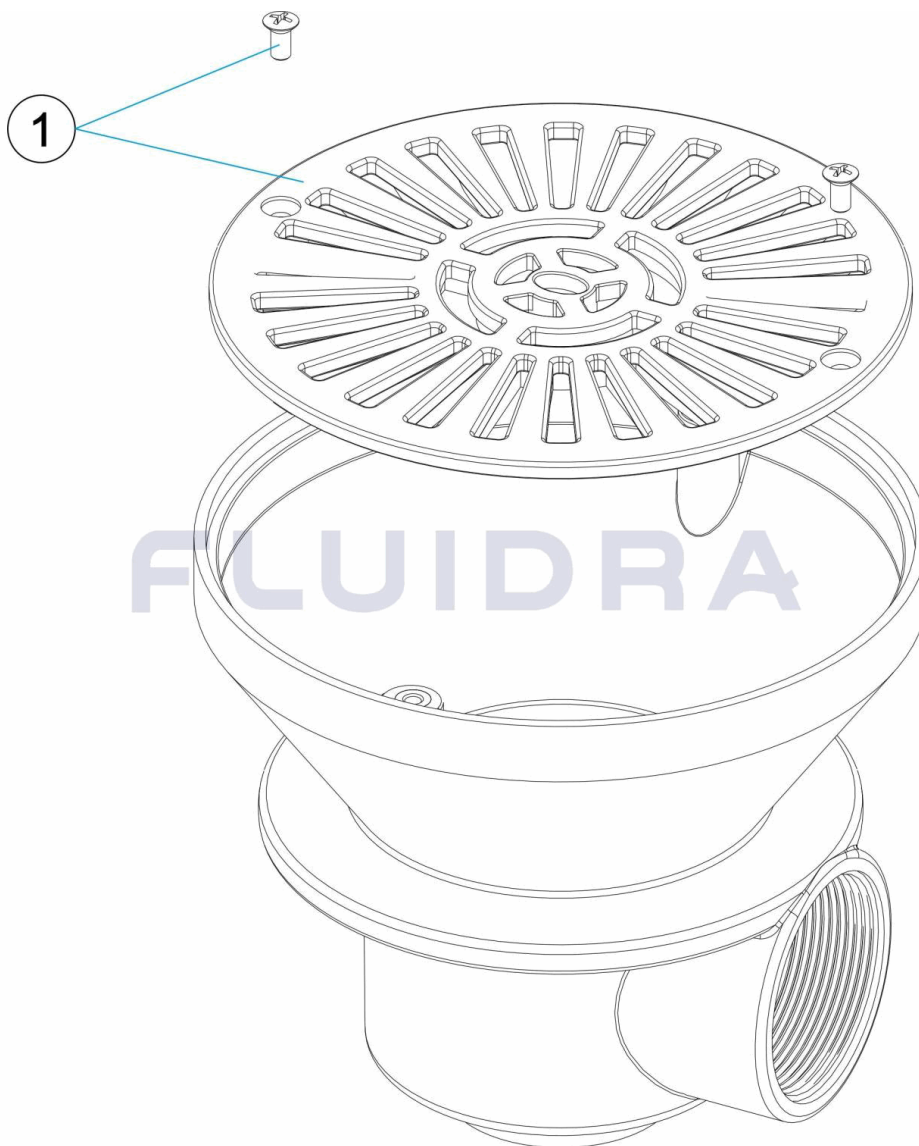
DESCRIPTION: **DRAIN D.180 PH SIDE OUTLET 2"**

OBSERVATIONS

POS	CODE	OBSERVATIONS
1	4402020201	FOR: 01467 BLANCO / WHITE
1	4402020044	FOR: 01467CL090 BEIGE
1	4402020045	FOR: 01467CL129 GRIS / GREY
1	4402020028	FOR: 01467CL144 ANTRACITA / ANTHRACITE

CODICE **01467, 01467CL090, 01467CL129, 01467CL144**

DESCRIZIONE: **SCOLATOIO D. 180 PH USCITA LATERALE 2"**



ITALIANO

POS	CODICE	DESCRIZIONE	POS	CODICE	DESCRIZIONE
1	* 440202021	GRIGLIA SCARICO 2'	1	* 440202045	GRIGLIA SCARICO 2'
1	* 440202044	GRIGLIA SCARICO 2'	1	* 440202028	GRIGLIA SCARICO 2'

CODICE **01467, 01467CL090, 01467CL129, 01467CL144**

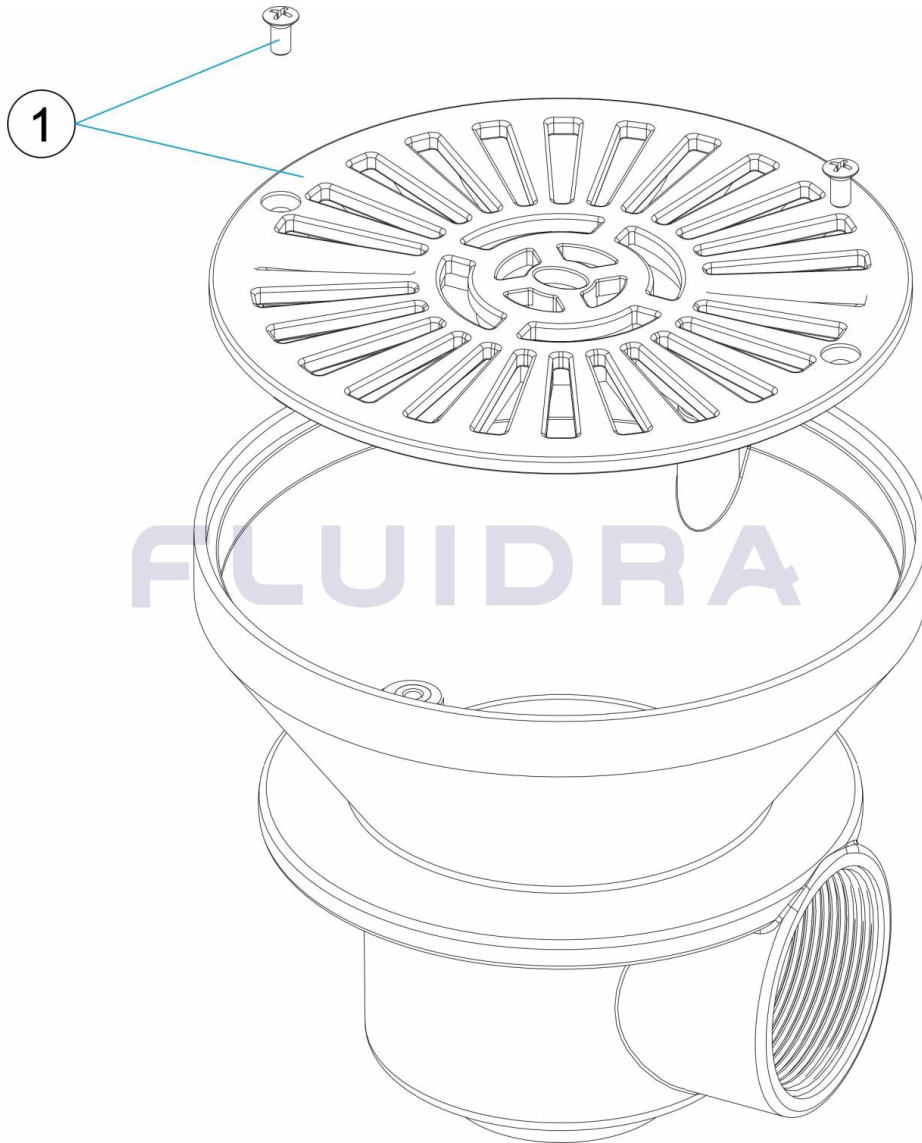
DESCRIZIONE: SCOLATOIO D. 180 PH USCITA LATERALE 2"

OSSERVAZIONI

POS	CODICE	OSSERVAZIONI
1	4402020201	PER: 01467 BLANCO / WHITE
1	4402020044	PER: 01467CL090 BEIGE
1	4402020045	PER: 01467CL129 GRIS / GREY
1	4402020028	PER: 01467CL144 ANTRACITA / ANTHRACITE

CODE **01467, 01467CL090, 01467CL129, 01467CL144**

BESCHREIBUNG: **ABFLUSS D. 180 PH AUSGANG SEITLICH 2"**



DEUTSCH

POS	CODE	BESCHREIBUNG	POS	CODE	BESCHREIBUNG
1	* 440202021	ABFLUSSGITTER 2'	1	* 4402020045	ABFLUSSGITTER 2'
1	* 4402020044	ABFLUSSGITTER 2'	1	* 4402020028	ABFLUSSGITTER 2'

CODE **01467, 01467CL090, 01467CL129, 01467CL144**

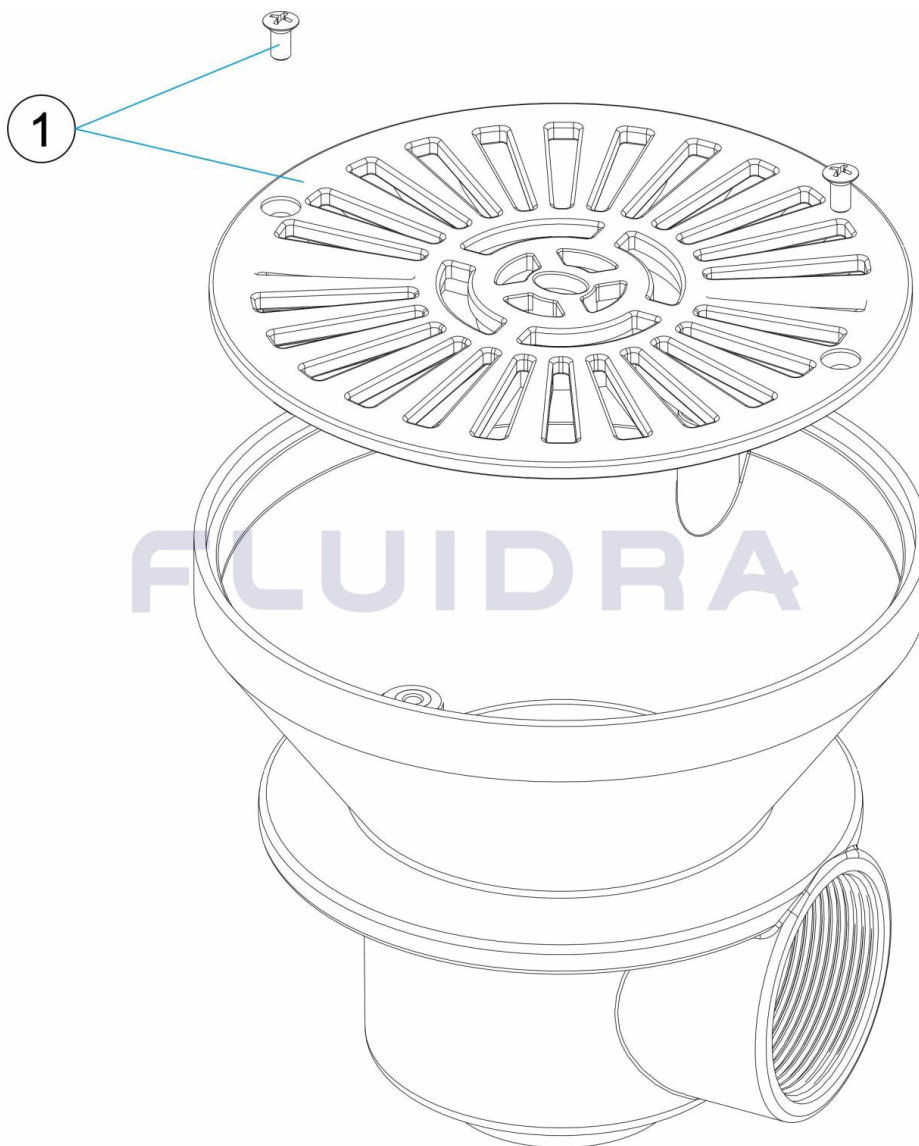
BESCHREIBUNG: **ABFLUSS D. 180 PH AUSGANG SEITLICH 2"**

HINWEISE

POS	CODE	HINWEISE
1	4402020201	FÜR: 01467 BLANCO / WHITE
1	4402020044	FÜR: 01467CL090 BEIGE
1	4402020045	FÜR: 01467CL129 GRIS / GREY
1	4402020028	FÜR: 01467CL144 ANTRACITA / ANTHRACITE

CODIGO **01467, 01467CL090, 01467CL129, 01467CL144**

DESCRIÇÃO: **ESGOTO D. 180 PH SAÍDA LATERAL 2"**



PORTUGUES

POS	CODIGO	DESCRIÇÃO	POS	CODIGO	DESCRIÇÃO
1	* 440202021	GRELHA RALO DE FUNDO 2'	1	* 440202045	GRELHA RALO DE FUNDO 2'
1	* 440202044	GRELHA RALO DE FUNDO 2'	1	* 440202028	GRELHA RALO DE FUNDO 2'

CODIGO 01467, 01467CL090, 01467CL129, 01467CL144

DESCRIÇÃO: ESGOTO D. 180 PH SAÍDA LATERAL 2"

OBSERVAÇÕES

POS	CODIGO	OBSERVAÇÕES
1	4402020201	PARA: 01467 BLANCO / WHITE
1	4402020044	PARA: 01467CL090 BEIGE
1	4402020045	PARA: 01467CL129 GRIS / GREY
1	4402020028	PARA: 01467CL144 ANTRACITA / ANTHRACITE