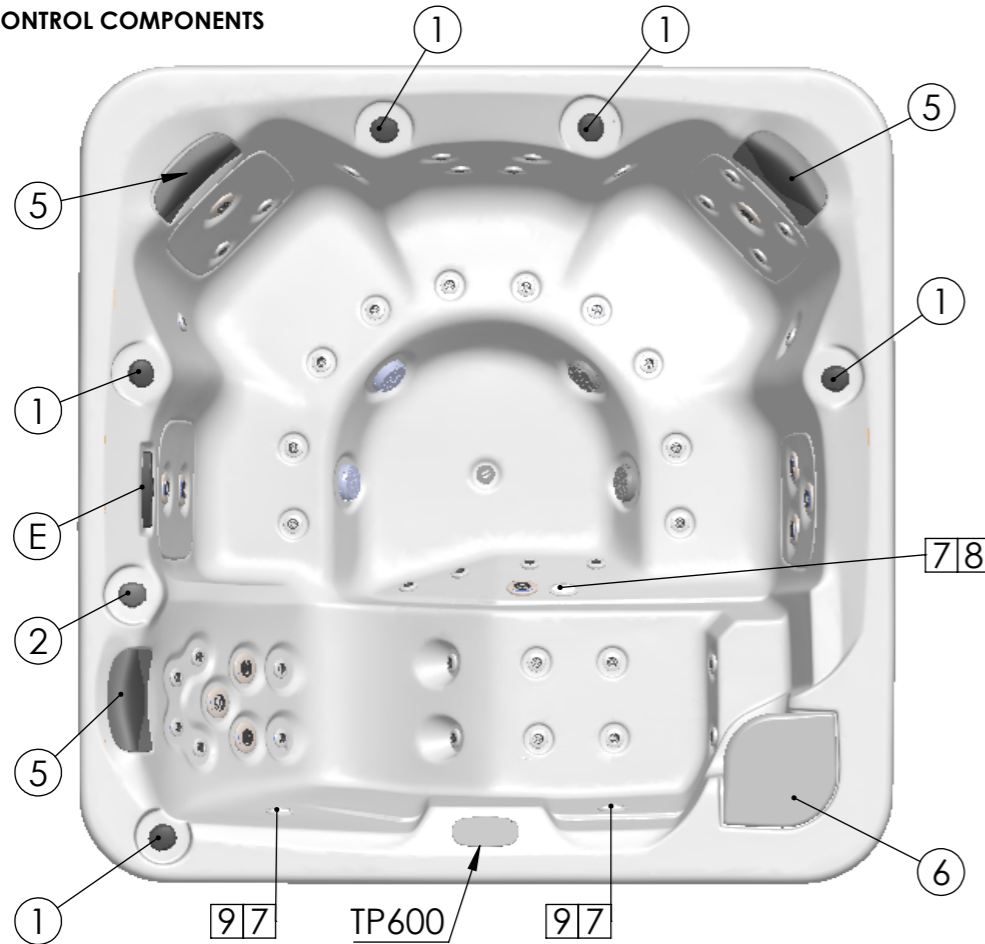


According to our policy of continuous improvement, dimensions, features or components of this product can be partially or completely changed without prior notice. It's Customer responsibility to verify that this is the last version of the drawing

Property of IBERSPA S.L. Avda. Pla d'Urgell 2-8 25200 Cervera, Spain. Don't use without permission. Keep this information confidential and use it solely for the permitted purpose.

**CONTROL COMPONENTS**



- 1 VENTURY CONTROLLER SS RPOR0261
- 2 VALVE ON-OFF 1" SS RPOR0263

**PILLOWS**

- 5 SMALL HEADREST GREY RPOR0032
- 6 SKIMFILTER COVER RPOR0156

**LIGHT COMPONENTS**

- 7 SPOTLIGHT LED SET RD RPOR0239
- 8 MASTER LED LIGHT RPOR0240
- 9 LED SLAVE LIGHT RPOR0252

**CONTROL PANELS**

- CONTROL PANEL TP 600 RPOR0355
- COVER DIGITAL AQUAVIA PANEL TP600 RPOR0355-D
- PANELL TOUCH MINIMALIST II RPOR0382

**HEATER**

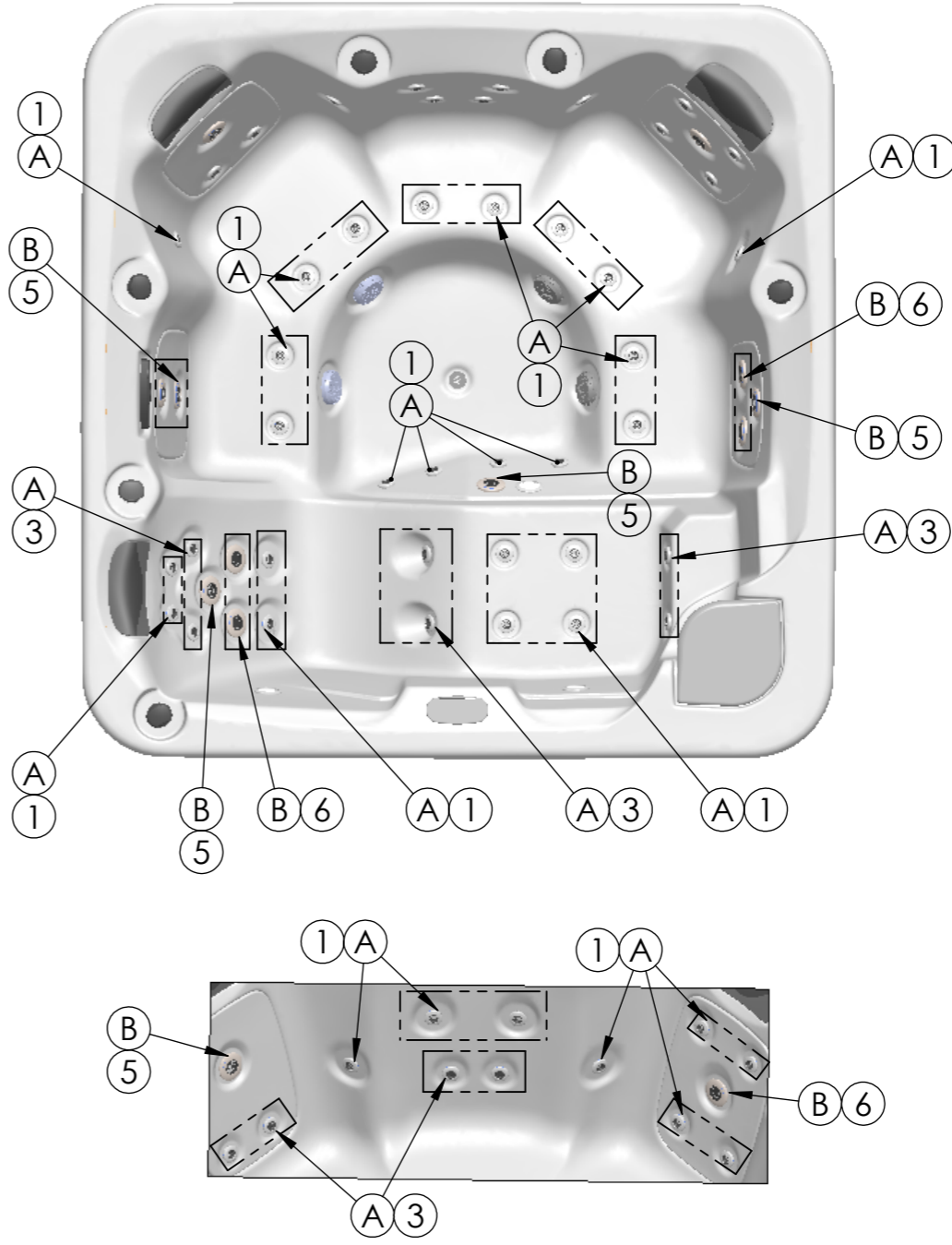
- RPOR0359 BOX BP6013G1
- 07816R1013 HEATER RACORDS (2 UNITS)
- RPOR0101 - TEMPERATURE PROBES GS I GL (x2)
- RPOR0105 - HEATER 3KW GS I GL
- RPOR0359-A - DIGITAL PANEL BP6013G1

**PUMPS**

- (x2) MASSAGE PUMP RPOR0245
- UNION NUT+TAIL PIECE PUMP RPOR0256
- FILTRATION PUMP RPOR0379
- UNION NUT + TAILPIECE PUMP RPOR0379-A

**COVER 65977**

**MASSAGE COMPONENTS**



- JET BODY SET 2" RPOR0375
- A FRONTAL JET 2" SS DIRECTIONAL RPOR0375-A
- 1 FRONTAL JET 2" LF SS DIRECTION RPOR0375-B
- 2 FRONTAL JET 2" SS ROTO RPOR0375-C
- 3 FRONTAL JET 2" LF SS ROTO RPOR0375-D
- JET BODY SET 3" RPOR0376
- B FRONTAL JET 3" SS DIRECTIONAL RPOR0376-A
- 5 FRONTAL JET 3" SS TWIN ROTO RPOR0376-B
- 6 DSG 7" WATERFALL RPOR0287

**FILTRATION**

- SKIMERFILTER RD LOW PROFILE RPOR0238
- FILTER CARTRIDGE SKIMFILTER RD RPOR00247-A

**DESINFECTION**

- OZON KIT RPOR0248
- OZONE CLEAR CHAMBER SYSTEM RPOR0265

**AUDIO**

- BLUETOOTH AUDIO RECEIVER 2.0 RPOR0294
- POWER SUPPLY 220/12V RPOR0295
- SUBWOOFER RPOR0208
- SPEAKER RPOR0320

**OTHER COMPONENTS**

- DRAIN FILL VALVE (BLACK) RPOR0136
- SPECIAL HANDGRIP SPA 1000 RPOR0198
- GREY DRAIN SET RPOR0003
- GREY SPA DRAIN 2" ADAPTOR SOKET D.50 RPOR0225