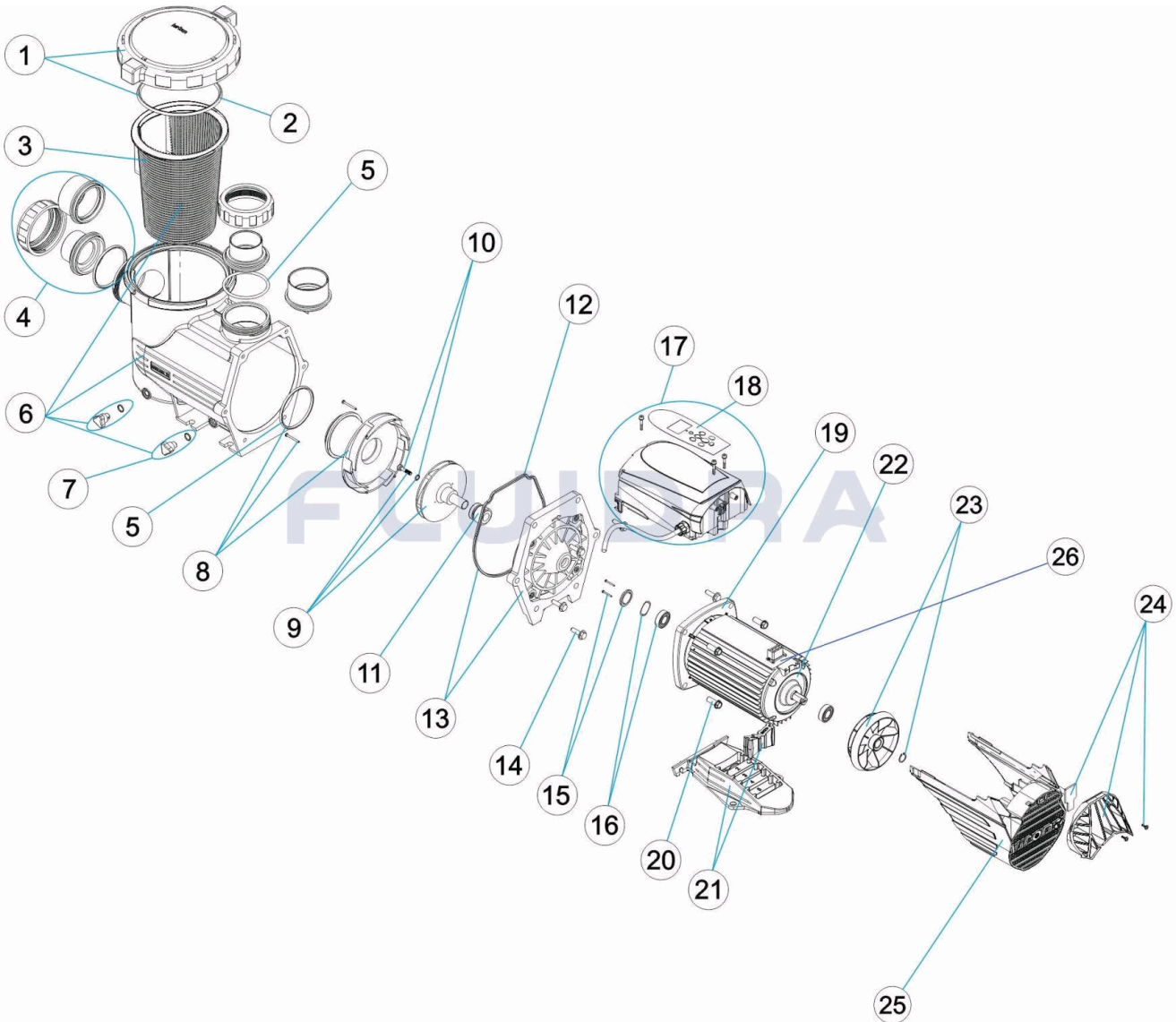


CODIGO **56552, 56562**

DESCRIPCION: **BOMBA VIRON P600**



ESPAÑOL

| POS | CODIGO | DESCRIPCION | POS | CODIGO | DESCRIPCION |
|-----|--------------|--|-----|------------|----------------------------------|
| 1 | 4405010461 | CJTO. TAPA + JUNTA + TUERCA PREFILTRO P600 | 14 | 4405010473 | TORNILLO FIJACION CUERPO |
| 2 | * 4405010463 | JUNTA TAPA PREFILTRO P600 | 15 | 4405010741 | TOPE RODAMIENTO |
| 2 | * 4405010745 | JUNTA TORICA | 16 | 4405010742 | RODAMIENTO TRASERO 6203 |
| 3 | 4405010464 | CESTO PREFILTRO P600 | 17 | 4405010569 | CJTO CONTROL BOMBA P600 (MODBUS) |
| 4 | 4405010579 | ACCESORIOS ENLACE VIRON P600-P300 | 18 | 4405010455 | CARATULA MANDO - P320, P600 |
| 5 | 4405010433 | JUNTA DIFUSOR | 19 | 4405010743 | TAPA MOTOR DELANTERA |
| 6 | 4405010467 | CUERPO PREFILTRO P600 | 20 | 4405010447 | TORNILLOS FIJACION MOTOR |
| 7 | 4405010462 | CJTO. TAPON PURGA | 21 | 4405010448 | PIE MOTOR |
| 8 | 4405010468 | DIFUSOR P600 | 22 | 4405010744 | TAPA MOTOR TRASERA |
| 9 | 4405010469 | RODETE 2 HP | 23 | 4405010458 | VENTILADOR P320-P600 |
| 10 | 4405010472 | TORNILLO RODETE | 24 | 4405010450 | TAPA TRASERA |
| 11 | 4405010443 | SELLO MECANICO | 25 | 4405010449 | CARCASA VENTILADOR |
| 12 | 4405010444 | JUNTA CUERPO BOMBA ANT. AL 08/14 | 26 | 56552R0010 | MOTOR 2 HP |

*** -> VER HOJA DE OBSERVACIONES**

CODIGO **56552, 56562**DESCRIPCION: **BOMBA VIRON P600**

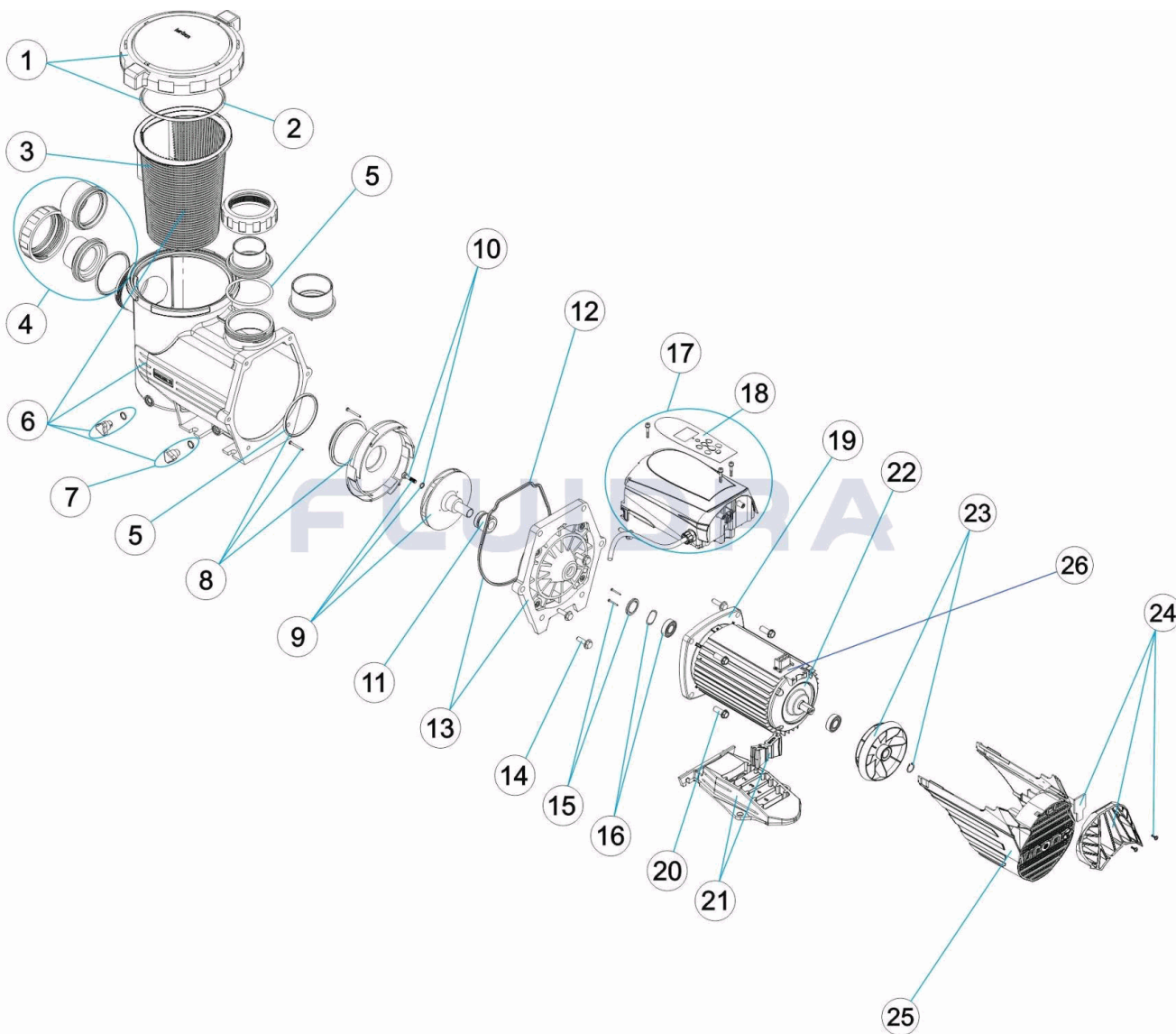
| | | | | | |
|----|------------|--------------------------------------|--|--|--|
| 13 | 4405010445 | BRIDA SOPORTE MOTOR + JUNTA (<08/14) | | | |
|----|------------|--------------------------------------|--|--|--|

CODIGO **56552, 56562**DESCRIPCION: **BOMBA VIRON P600****OBSERVACIONES**

| POS | CODIGO | OBSERVACIONES |
|-----|------------|---|
| 2 | 4405010463 | PARA: ANTERIOR 08/2017 / BEFORE 08/2017 |
| 2 | 4405010745 | PARA: POSTERIOR 08/2017 / AFTER 08/2017 |

CODE **56552, 56562**

DESCRIPTION: **POMPE VIRON P600**



FRANCAIS

| POS | CODE | DESCRIPTION | POS | CODE | DESCRIPTION |
|-----|--------------|------------------------------------|-----|------------|-----------------------------------|
| 1 | 4405010461 | KIT COUVERCLE + JOINT + ECROU P600 | 14 | 4405010473 | VIS ROUE |
| 2 | * 4405010463 | JOINT COVERCLE PREFILTRE P 600 | 15 | 4405010741 | JONC ROULEMENT |
| 2 | * 4405010745 | JOINT TORIQUE | 16 | 4405010742 | ROULEMENT ARRIÈRE 6203 |
| 3 | 4405010464 | PANIER PRÉFILTRE P600 | 17 | 4405010569 | ENS. CONTRÔLE POMPE P600 (MODBUS) |
| 4 | 4405010579 | RACCORDS UNION VIRON P600-P300 | 18 | 4405010455 | BOÎTIER COMMANDES - P320, P600 |
| 5 | 4405010433 | JOINT DIFFUSEUR | 19 | 4405010743 | COUVERCLE MOTEUR AVANT |
| 6 | 4405010467 | CORPS PREFILTRE P600 | 20 | 4405010447 | VIS FIXATION MOTEUR |
| 7 | 4405010462 | ENSEMBLE BOUCHON PURGE | 21 | 4405010448 | PIED MOTEUR |
| 8 | 4405010468 | DIFFUSEUR P600 | 22 | 4405010744 | COUVERCLE MOTEUR ARRIÈRE |
| 9 | 4405010469 | TURBINE 2 HP | 23 | 4405010458 | VENTILATEUR P320-P600 |
| 10 | 4405010472 | VIS ROUE | 24 | 4405010450 | COUVERCLE ARRIÈRE |
| 11 | 4405010443 | GARNITURE MECANIQUE | 25 | 4405010449 | CARCASSE VENTILATEUR |
| 12 | 4405010444 | JOINT CORPS ANT. A 08/14 | 26 | 56552R0010 | MOTEUR 2 HP |

*** -> VOIR FICHE D'OBSERVATIONS**

CODE **56552, 56562**DESCRIPTION: **POMPE VIRON P600**

| | | | | | |
|----|------------|-------------------------------|--|--|--|
| 13 | 4405010445 | BRIDE SUPPORT MOTEUR (<08/14) | | | |
|----|------------|-------------------------------|--|--|--|

CODE **56552, 56562**

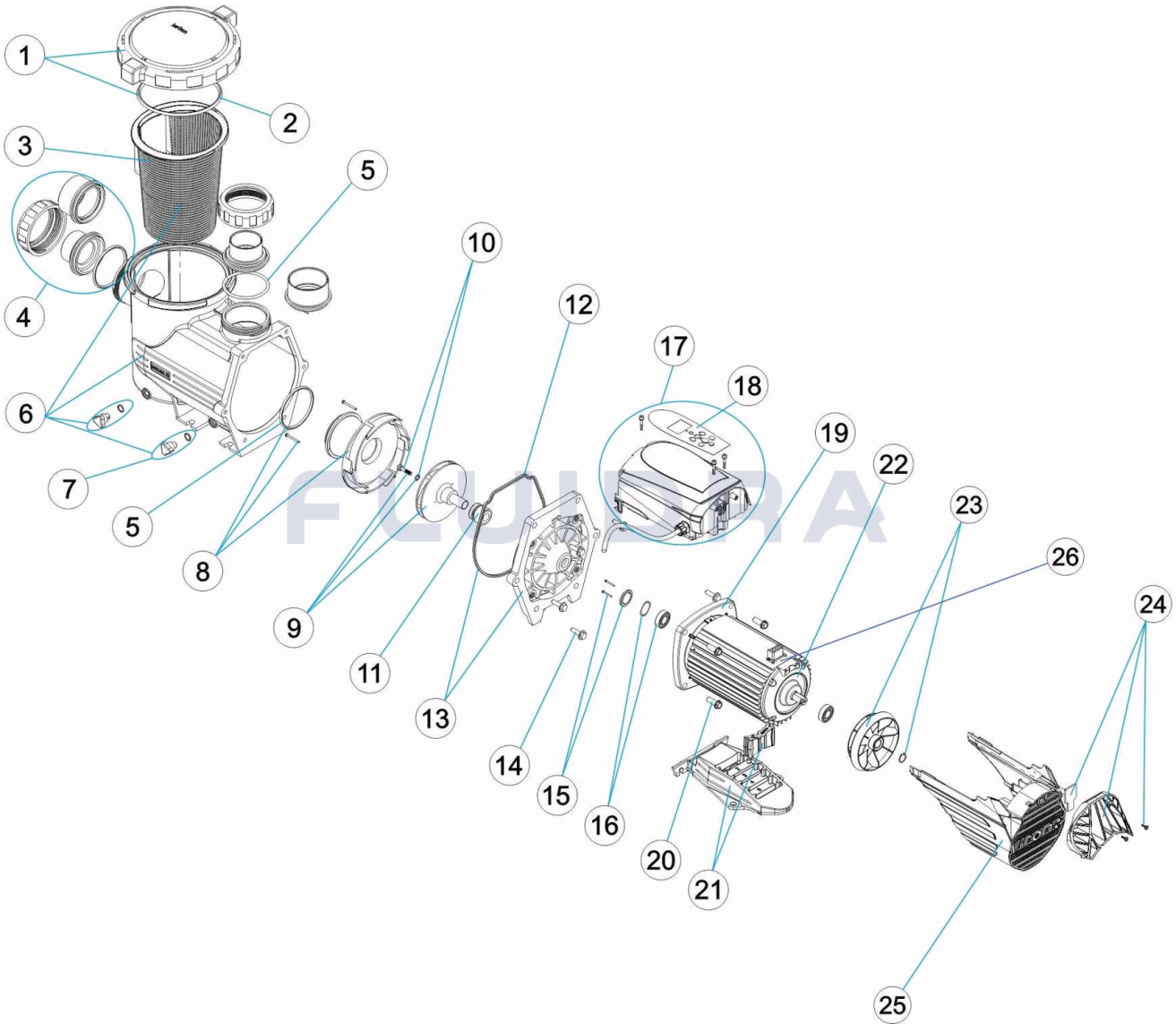
DESCRIPTION: **POMPE VIRON P600**

OBSERVATIONS

| POS | CODE | OBSERVATIONS |
|-----|------------|---|
| 2 | 4405010463 | POUR: ANTERIOR 08/2017 / BEFORE 08/2017 |
| 2 | 4405010745 | POUR: POSTERIOR 08/2017 / AFTER 08/2017 |

CODE **56552, 56562**

DESCRIPTION: **VIRON P600 PUMP**



ENGLISH

| POS | CODE | DESCRIPTION | POS | CODE | DESCRIPTION |
|-----|--------------|--------------------------------|-----|------------|---------------------------------|
| 1 | 4405010461 | KIT LID + SEAL + NUT P600 | 14 | 4405010473 | IMPELLER SCREW |
| 2 | * 4405010463 | PREFILTRO COVER JOINT P 600 | 15 | 4405010741 | BEARING CAP |
| 2 | * 4405010745 | O' RING | 16 | 4405010742 | 6203 REAR BEARING |
| 3 | 4405010464 | PRE-FILTER BASKET P600 | 17 | 4405010569 | PUMP CONTROL UNIT P600 (MODBUS) |
| 4 | 4405010579 | UNION FITTINGS VIRON P600-P300 | 18 | 4405010455 | CONTROL FACEPLATE - P320, P600 |
| 5 | 4405010433 | DIFFUSER GASKET | 19 | 4405010743 | FRONT MOTOR COVER |
| 6 | 4405010467 | PREFILTER BODY P600 | 20 | 4405010447 | MOTOR FIXING SCREWS |
| 7 | 4405010462 | DRAIN CAP SET | 21 | 4405010448 | STAND BASE |
| 8 | 4405010468 | DIFFUSOR P600 | 22 | 4405010744 | REAR MOTOR COVER |
| 9 | 4405010469 | IMPELLER 2 HP | 23 | 4405010458 | FAN P320-P600 |
| 10 | 4405010472 | IMPELLER SCREW | 24 | 4405010450 | REAR COVER |
| 11 | 4405010443 | MECHANICAL SEAL | 25 | 4405010449 | FAN CASING |
| 12 | 4405010444 | BODY GASKET BEFORE 08/14 | 26 | 56552R0010 | MOTOR 2 HP |

*** -> SEE OBSERVATIONS SHEET**

CODE **56552, 56562**

DESCRIPTION: **VIRON P600 PUMP**

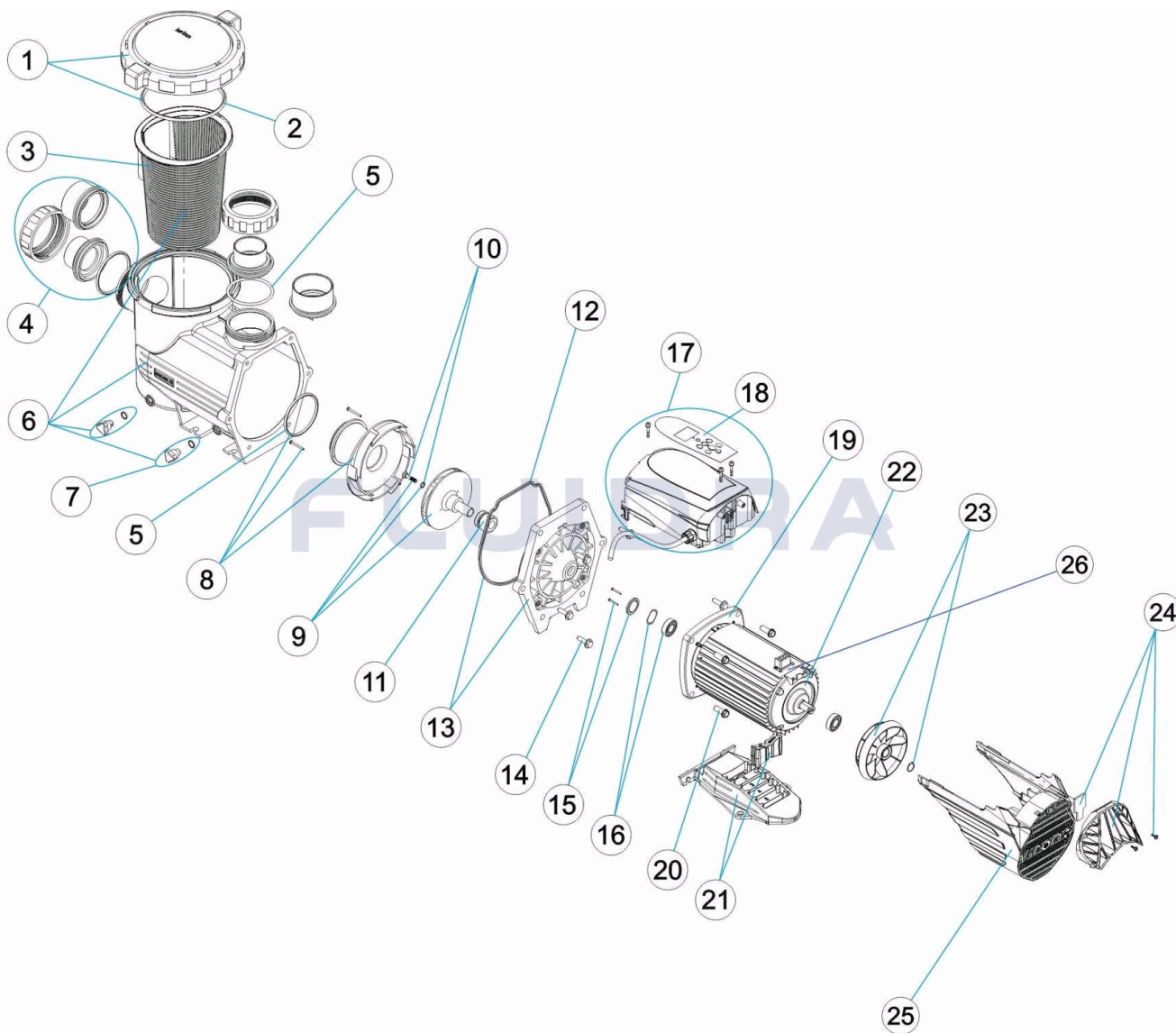
| | | | | | |
|----|------------|-----------------------|--|--|--|
| 13 | 4405010445 | MOTOR BRIDLE (<08/14) | | | |
|----|------------|-----------------------|--|--|--|

CODE **56552, 56562**DESCRIPTION: **VIRON P600 PUMP****OBSERVATIONS**

| POS | CODE | OBSERVATIONS |
|-----|------------|--|
| 2 | 4405010463 | FOR: ANTERIOR 08/2017 / BEFORE 08/2017 |
| 2 | 4405010745 | FOR: POSTERIOR 08/2017 / AFTER 08/2017 |

CODICE **56552, 56562**

DESCRIZIONE: **POMPA VIRON P600**



ITALIANO

| POS | CODICE | DESCRIZIONE | POS | CODICE | DESCRIZIONE |
|-----|--------------|---|-----|------------|------------------------------------|
| 1 | 4405010461 | KIT COPERCHIO + GUARNIZIONE + GHIERA P600 | 14 | 4405010473 | VITE GIRANTE |
| 2 | * 4405010463 | GUARNIZIONE COPERCHIO PRE-FILTRO P 600 | 15 | 4405010741 | FERMO DI CUSCINETTO |
| 2 | * 4405010745 | O-RING | 16 | 4405010742 | CUSCINETTO POSTERIORE 6203 |
| 3 | 4405010464 | CESTO PREFILTRO P600 | 17 | 4405010569 | INS. CONTROLLO POMPA P600 (MODBUS) |
| 4 | 4405010579 | MANICOTTI DI UNIONE VIRON P600-P300 | 18 | 4405010455 | PANNELLO COMANDO - P320, P600 |
| 5 | 4405010433 | GIUNTA DIFFUSORE | 19 | 4405010743 | COPERCHIO ANTERIORE MOTORE |
| 6 | 4405010467 | CORPO PREFILTRO P600 | 20 | 4405010447 | VITI FISSAGGIO MOTORE |
| 7 | 4405010462 | CONGIUNTO COPERCHIO SPURGO | 21 | 4405010448 | PIEDE MOTORE |
| 8 | 4405010468 | DIFFUSORE P600 | 22 | 4405010744 | COPERCHIO POSTERIORE MOTORE |
| 9 | 4405010469 | RUOTA 2 HP | 23 | 4405010458 | VENTILATORE P320-P600 |
| 10 | 4405010472 | VITE GIRANTE | 24 | 4405010450 | COPERCHIO POSTERIORE |
| 11 | 4405010443 | TENUTA MECCANICA | 25 | 4405010449 | CARCASSA VENTILATORE |
| 12 | 4405010444 | GUARNIZIONE CORPO PRIMA DEL 08/14 | 26 | 56552R0010 | MOTOR 2 HP |

*** -> SI FACCIÀ RIFERIMENTO AL FOGLIO DELLE OSSERVAZIONI**

CODICE **56552, 56562**DESCRIZIONE: **POMPA VIRON P600**

| | | | | | |
|----|------------|----------------------------------|--|--|--|
| 13 | 4405010445 | FLANGIA SUPPORTO MOTORE (<08/14) | | | |
|----|------------|----------------------------------|--|--|--|

CODICE **56552, 56562**

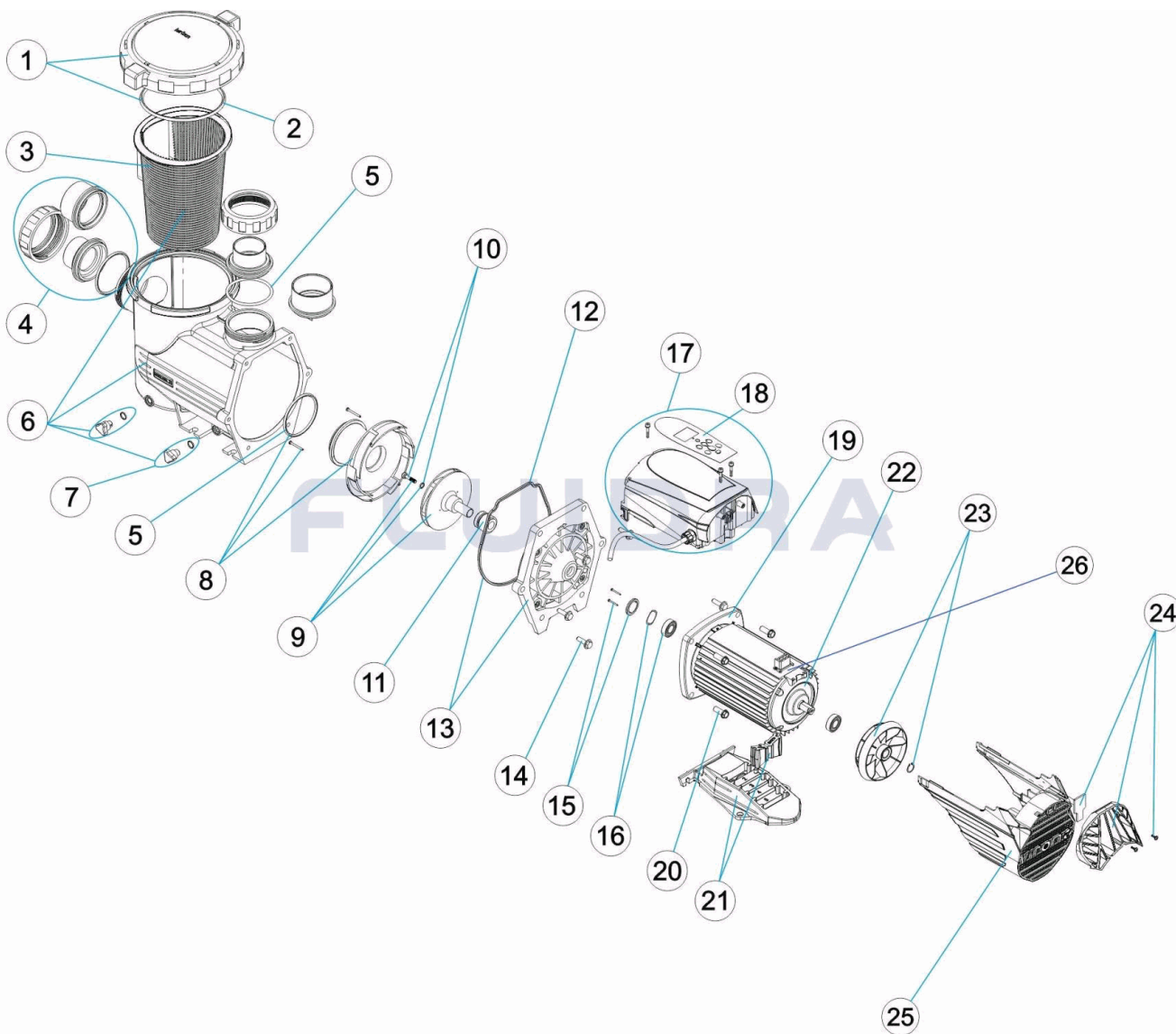
DESCRIZIONE: **POMPA VIRON P600**

OSSERVAZIONI

| POS | CODICE | OSSERVAZIONI |
|-----|------------|--|
| 2 | 4405010463 | PER: ANTERIOR 08/2017 / BEFORE 08/2017 |
| 2 | 4405010745 | PER: POSTERIOR 08/2017 / AFTER 08/2017 |

CODE **56552, 56562**

BESCHREIBUNG: **PUMPE VIRON P600**



DEUTSCH

| POS | CODE | BESCHREIBUNG | POS | CODE | BESCHREIBUNG |
|-----|--------------|--|-----|------------|-----------------------------------|
| 1 | 4405010461 | SET ABDECKUNG UND DICHTUNG MIT MUTTER VO | 14 | 4405010473 | FIXIERSCHRAUBE GEHÄUSE |
| 2 | * 4405010463 | DICHTUNG VORFILTERDECKEL P600 | 15 | 4405010741 | ABSCHLUSS WÄZLAGER |
| 2 | * 4405010745 | O-RING | 16 | 4405010742 | HINTERES WÄZLAGER 6203 |
| 3 | 4405010464 | VORFILTERKORB P600 | 17 | 4405010569 | SET STEUERUNG PUMPE P600 (MODBUS) |
| 4 | 4405010579 | ANSCHLUSS-ZUBEHÖR VIRON P600-P300 | 18 | 4405010455 | BEDIENFELD STEUERUNG - P320, P600 |
| 5 | 4405010433 | DICHTUNG WASSERVERTEILER | 19 | 4405010743 | MOTORDECKEL VORNE |
| 6 | 4405010467 | GEHÄUSE VORFILTER P600 | 20 | 4405010447 | FIXIERSCHRAUBEN MOTOR |
| 7 | 4405010462 | SET ABLASSSTOPFEN | 21 | 4405010448 | FUSS MOTOR |
| 8 | 4405010468 | WASSERVERTEILER P600 | 22 | 4405010744 | ABDECKUNG MOTOR HINTEN |
| 9 | 4405010469 | LAUFRAD 2 HP | 23 | 4405010458 | VENTILATOR P320 - P600 |
| 10 | 4405010472 | SCHRAUBE LAUFRAD | 24 | 4405010450 | ABDECKUNG HINTEN |
| 11 | 4405010443 | GLEITRINGDICHTUNG | 25 | 4405010449 | GEHÄUSE VENTILATOR |
| 12 | 4405010444 | DICHTUNG PUMPENGEHÄUSE VOR 08/14 | 26 | 56552R0010 | MOTOR 2 HP |

* -> SIEHE ANMERKUNGSBLATT

CODE **56552, 56562**BESCHREIBUNG: **PUMPE VIRON P600**

| | | | | | |
|----|------------|---------------------------------|--|--|--|
| 13 | 4405010445 | FLANSCH MOTORHALTERUNG (<08/14) | | | |
|----|------------|---------------------------------|--|--|--|

CODE **56552, 56562**

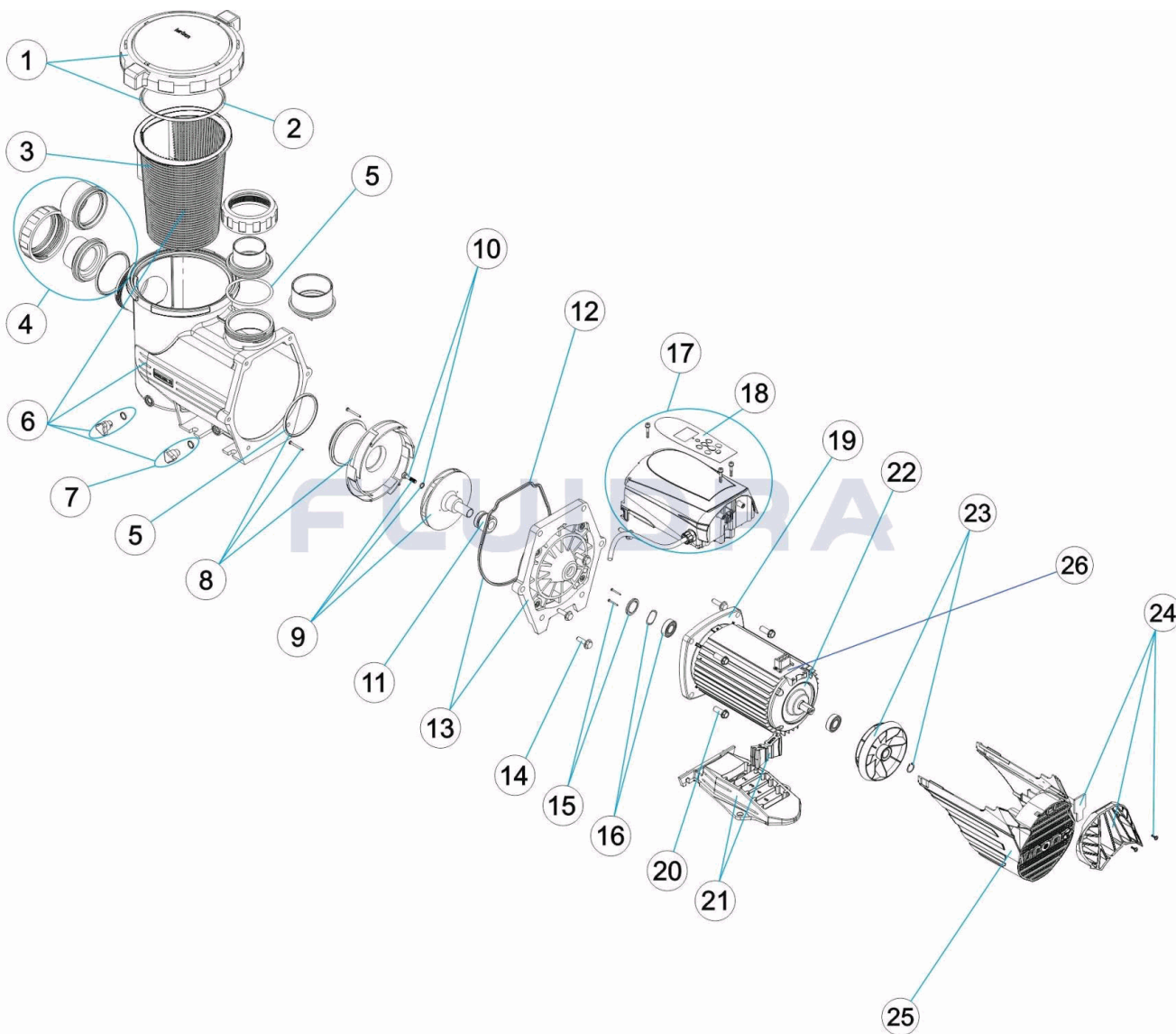
BESCHREIBUNG: **PUMPE VIRON P600**

HINWEISE

| POS | CODE | HINWEISE |
|-----|------------|--|
| 2 | 4405010463 | FÜR: ANTERIOR 08/2017 / BEFORE 08/2017 |
| 2 | 4405010745 | FÜR: POSTERIOR 08/2017 / AFTER 08/2017 |

CODIGO **56552, 56562**

DESCRIÇÃO: **BOMBA VIRON P600**



PORTUGUES

| POS | CODIGO | DESCRIÇÃO | POS | CODIGO | DESCRIÇÃO |
|-----|--------------|-------------------------------------|-----|------------|------------------------------------|
| 1 | 4405010461 | CJTO. TAMP A + JUNTA + PORCA P600 | 14 | 4405010473 | PARAFUSO ROLETE |
| 2 | * 4405010463 | JUNTA TAMP A PRÉ-FILTRO P 600 | 15 | 4405010741 | PARE ROLAMIENTOS |
| 2 | * 4405010745 | JUNTA TÓRICA | 16 | 4405010742 | ROLAMENTO TRASEIRO 6203 |
| 3 | 4405010464 | CESTO PRÉ-FILTRO P600 | 17 | 4405010569 | CJTO. CONTROLO BOMBA P600 (MODBUS) |
| 4 | 4405010579 | ACESSÓRIOS DE UNIÃO VIRON P600-P300 | 18 | 4405010455 | PAINEL COMANDO - P320, P600 |
| 5 | 4405010433 | JUNTA DIFUSOR | 19 | 4405010743 | TAMP A MOTOR DIANTEIRA |
| 6 | 4405010467 | CORPO PRÉ-FILTRO P600 | 20 | 4405010447 | PARAFUSOS FIXAÇÃO MOTOR |
| 7 | 4405010462 | CJTO. TAMPÃO PURGA | 21 | 4405010448 | PÉ MOTOR |
| 8 | 4405010468 | DIFUSOR P600 | 22 | 4405010744 | TAMP A MOTOR TRASEIRA |
| 9 | 4405010469 | RODÍZIO 2 HP | 23 | 4405010458 | VENTILADOR P320-P600 |
| 10 | 4405010472 | PARAFUSO ROLETE | 24 | 4405010450 | TAMP A TRASEIRA |
| 11 | 4405010443 | JUNTA MECÂNICA | 25 | 4405010449 | CARÇAÇA VENTILADOR |
| 12 | 4405010444 | JUNTA CORPO ANT. A 08/14 | 26 | 56552R0010 | MOTOR 2 HP |

*** -> VEJA A FICHA DE OBSERVAÇÕES**

CODIGO **56552, 56562**DESCRIÇÃO: **BOMBA VIRON P600**

| | | | | | |
|----|------------|-------------------------------|--|--|--|
| 13 | 4405010445 | FLANGE SUPORTE MOTOR (<08/14) | | | |
|----|------------|-------------------------------|--|--|--|

CODIGO **56552, 56562**DESCRIÇÃO: **BOMBA VIRON P600****OBSERVACÕES**

| POS | CODIGO | OBSERVACÕES |
|-----|------------|---|
| 2 | 4405010463 | PARA: ANTERIOR 08/2017 / BEFORE 08/2017 |
| 2 | 4405010745 | PARA: POSTERIOR 08/2017 / AFTER 08/2017 |