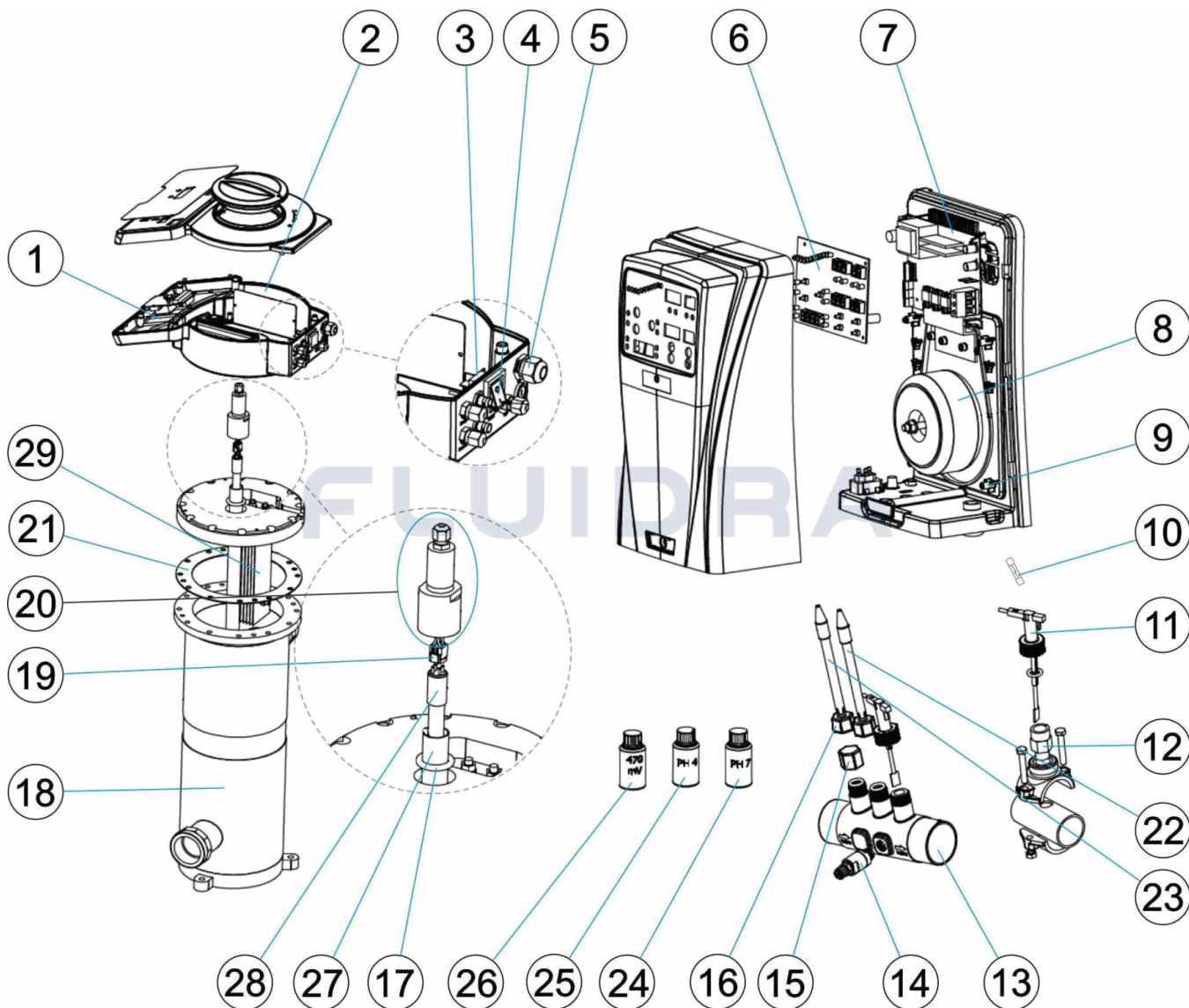


CODIGO 57744, 57745, 57746, 57747, 57748, 57749, 57750, 57751, 57752, 66126, 66127, 66128, 66129, 66130, 66138, 66139, 66140, 66141

DESCRIPCION: SISTEMA NEOLYSIS PISCINA PRIVADA NEO-12, NEO-24, NEO-32



ESPAÑOL

POS	CODIGO	DESCRIPCION	POS	CODIGO	DESCRIPCION
1	4408070066	UV TARJETA ELECTRONICA	7	* 4408041208	TARJETA POTENCIA AC-30
2	4408070061	BALASTRO LP 10, 14	7	* 4408040060	TARJETA POTENCIA AC-30/PH
3	* 4408070069	CONECTOR BCN	7	* 4408041305	TARJETA POTENCIA AC-30 (PH/ORP)
4	4408070065	INTERRUPTOR	8	* 4408041106	TRANSFORMADOR 190 VA
5	4408041015	PORTAFUSIBLES 6X32 CHASIS	8	* 4408041107	TRANSFORMADOR 370 VA
6	* 4408040011	TARJETA VISUALIZADORA ELECTROLISIS DOM	8	* 4408041202	TRANSFORMADOR 480 VA
6	* 4408040134	TARJETA VISUALIZADORA NEOLYSIS	9	4408040523	PORTAFUSIBLE 5X20 CHASIS
6	* 4408040012	TARJETA VISUALIZADORA ELECTROLISIS DOM PH/	10	* 4408041113	FUSIBLE 2A
7	* 4408041207	TARJETA POTENCIA AC-12	10	* 4408041114	FUSIBLE 3A
7	* 4408040058	TARJETA POTENCIA AC-12/PH	10	* 4408041204	FUSIBLE 4A
7	* 4408041303	TARJETA POTENCIA AC-12 (PH/ORP)	11	4408041211	FLUJOSTATO
7	* 4408041115	TARJETA POTENCIA AC-22	12	* 4408041210	REDUCCION ROSCADA 3/4" 1/2"
7	* 4408040059	TARJETA POTENCIA AC-22/PH	13	* 4408041018	PORTA-SONDAS DOBLE + PUNTO INYECCION INTI

* -> VER HOJA DE OBSERVACIONES

CODIGO **57744, 57745, 57746, 57747, 57748, 57749, 57750, 57751, 57752, 66126, 66127, 66128, 66129, 66130, 66138, 66139, 66140, 66141**

DESCRIPCION: SISTEMA NEOLYSIS PISCINA PRIVADA NEO-12, NEO-24, NEO-32

7	* 4408041304	TARJETA POTENCIA AC-22 (PH/ORP)	14	* 4408040068	VALVULA INYECCION PH-MINUS 3/8"
15	* 4408040067	TAPON SONDA PH/ORP PORTASONDA	26	* 60633	SOLUCION CALIBRACION 470MV.
16	* 4408041310	RACOR INSERCIÓN SONDA 12M/M.-1/4"	27	60607	CUARZO UV LP-10,14
17	4408070077	JUNTA TORICA	28	* 60599	LAMPARA UV LP-10
18	4408040133	CELULA NEOLYSIS PIS. PRIV.	28	* 60606	LAMPARA UV LP-14
19	4408070059	CONECTOR 4PIN	29	* 61116	RECAMBIO ELECTRODO NEOLYSIS 12GR/H-48W
20	4408070078	CJTO. TUERCAS	29	* 67807	RECAMBIO ELECTRODO NEOLYSIS 12GR/H-48W
21	4408040132	JUNTA BRIDA CELULA NEOLYSIS EPDM	29	* 61117	RECAMBIO ELECTRODO NEOLYSIS 24GR/H-56W
22	* 60648	ELECTRODO COMBINADO PH	29	* 67808	RECAMBIO ELECTRODO NEOLYSIS 24GR/H-56W
23	* 60649	ELECTRODO ORP	29	* 61118	RECAMBIO ELECTRODO NEOLYSIS 32GR/H-56W
24	* 60618	TAMPON PH 7,0 50 M/L. (VERDE)	29	* 67809	RECAMBIO ELECTRODO NEOLYSIS 32GR/H-56W
25	* 60632	TAMPON PH 4,0 50 ML. (ROJO)			

CODIGO 57744, 57745, 57746, 57747, 57748, 57749, 57750, 57751, 57752, 66126, 66127, 66128, 66129, 66130, 66138, 66139, 66140, 66141

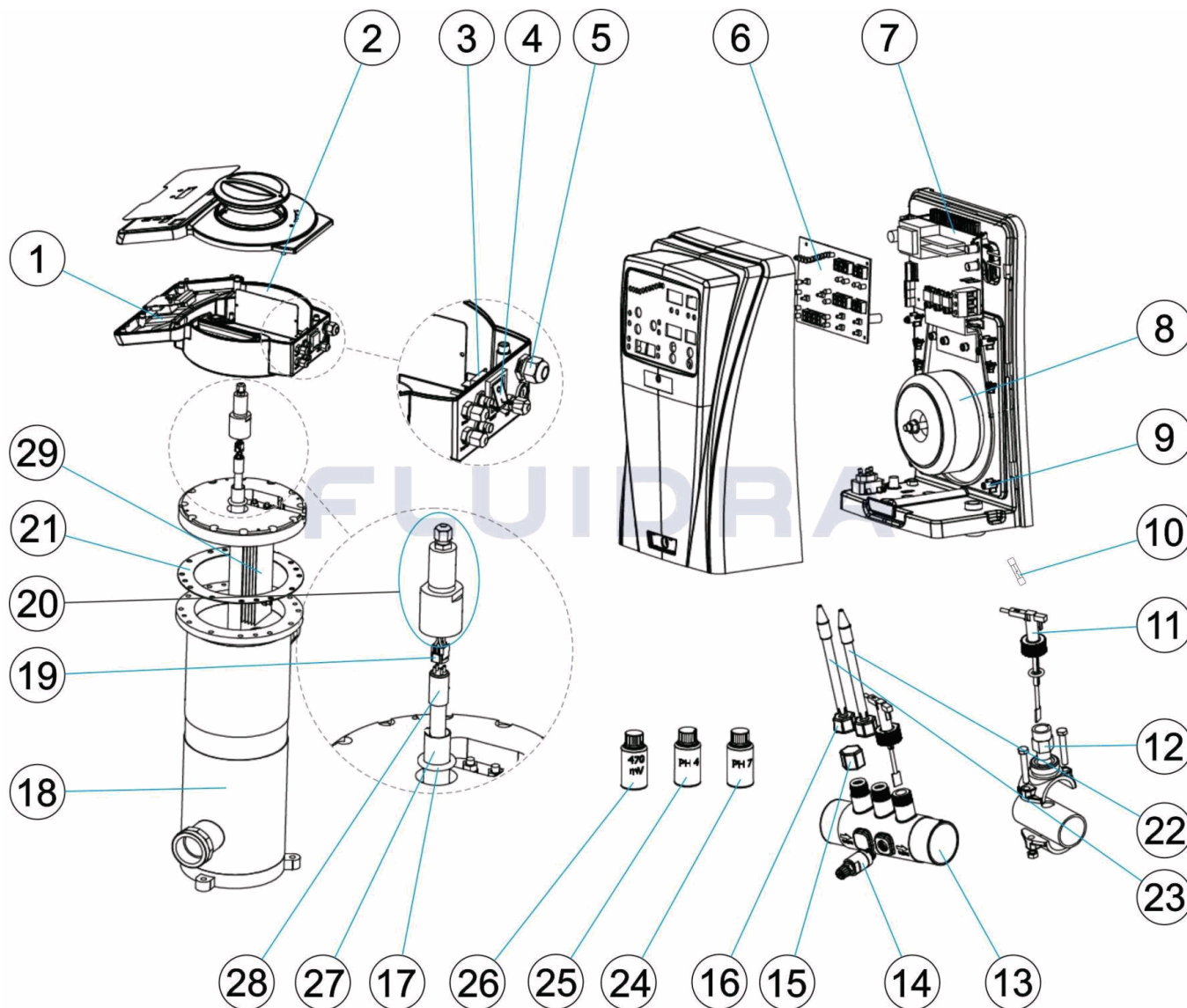
DESCRIPCION: SISTEMA NEOLYSIS PISCINA PRIVADA NEO-12, NEO-24, NEO-32

OBSERVACIONES

POS	CODIGO	OBSERVACIONES
3	4408070069	PARA: 57747, 57748, 57749, 57750, 57751, 57752, 66129, 66130, 66138, 66139, 66140, 66141
6	4408040011	PARA: 57744, 57745, 57746, 66126, 66127, 66128
6	4408040134	PARA: 57747, 57748, 57749, 66129, 66130, 66138
6	4408040012	PARA: 57750, 57751, 57752, 66139, 66140, 66141
7	4408041207	PARA: 57744, 66126
7	4408040058	PARA: 57747, 66130
7	4408041303	PARA: 57750, 66139
7	4408041115	PARA: 57745, 66127
7	4408040059	PARA: 57748, 66130
7	4408041304	PARA: 57751, 66140
7	4408041208	PARA: 57746, 66128
7	4408040060	PARA: 57749, 66138
7	4408041305	PARA: 57752, 66141
8	4408041106	PARA: 57744, 57747, 57750, 66126, 66129, 66139
8	4408041107	PARA: 57745, 57748, 57751, 66127, 66130, 66140
8	4408041202	PARA: 57746, 57749, 57752, 66128, 66138, 66141
10	4408041113	PARA: 57744, 57747, 57750, 66126, 66129, 66139
10	4408041114	PARA: 57745, 57748, 57751, 66127, 66130, 66140
10	4408041204	PARA: 57746, 57749, 57752, 66128, 66138, 66141
12	4408041210	PARA: 57744, 57745, 57746, 66126, 66127, 66128
13	4408041018	PARA: 57747, 57748, 57749, 57750, 57751, 57752, 66129, 66130, 66138, 66139, 66140, 66141
14	4408040068	PARA: 57747, 57748, 57749, 57750, 57751, 57752, 66129, 66130, 66138, 66139, 66140, 66141
15	4408040067	PARA: 57747, 57748, 57749, 66129, 66130, 66138
16	4408041310	PARA: 57747, 57748, 57749, 57750, 57751, 57752, 66129, 66130, 66138, 66139, 66140, 66141
22	60648	PARA: 57747, 57748, 57749, 57750, 57751, 57752, 66129, 66130, 66138, 66139, 66140, 66141
23	60649	PARA: 57750, 57751, 57752, 66139, 66140, 66141
24	60618	PARA: 57745, 57746, 57748, 57749, 57751, 57752, 66127, 66128, 66130, 66138, 66140, 66141
25	60632	PARA: 57745, 57746, 57748, 57749, 57751, 57752, 66127, 66128, 66130, 66138, 66140, 66141
26	60633	PARA: 57750, 57751, 57752, 66139, 66140, 66141
28	60599	PARA: 57744, 57747, 57750, 66126, 66129, 66139
28	60606	PARA: 57745, 57746, 57748, 57749, 57751, 57752, 66127, 66128, 66130, 66138, 66140, 66141
29	61116	PARA: 57744, 57747, 57750
29	67807	PARA: 66126, 66129, 66139
29	61117	PARA: 57745, 57748, 57751
29	67808	PARA: 66127, 66130, 66140
29	61118	PARA: 57746, 57749, 57752
29	67809	PARA: 66128, 66138, 66141

CODE 57744, 57745, 57746, 57747, 57748, 57749, 57750, 57751, 57752, 66126, 66127, 66128, 66129, 66130, 66138, 66139, 66140, 66141

DESCRIPTION: SYSTÈME NEOLYSIS PISCINE PUBLIQUE NEO-12, NEO-24, NEO-32



FRANCAIS

POS	CODE	DESCRIPTION	POS	CODE	DESCRIPTION
1	4408070066	UV CARTE ÉLECTRONIQUE	7	* 4408041208	CARTE PUISSANCE AC-30
2	4408070061	BALLAST LP 10, 14	7	* 4408040060	CARTE PUISSANCE AC-30/PH
3	* 4408070069	CONNECTEUR BCN	7	* 4408041305	CARTE PUISSANCE AC-30 (PH/ORP)
4	4408070065	INTERRUPTEUR	8	* 4408041106	TRANSFORMATEUR PUISSANCE 190VA
5	4408041015	PORTE-FUSIBLES 6X32 CASSIS	8	* 4408041107	TRANSFORMATEUR PUISSANCE 370VA
6	* 4408040011	CARTE AFFICHEUR ÉLECTROLYSE DOM	8	* 4408041202	TRANSFORMATEUR PUISSANCE 480VA
6	* 4408040134	CARTE D'INDICATION NEOLYSIS	9	4408040523	PORTE-FUSIBLES 5X20 CHASSIS
6	* 4408040012	CARTE AFFICHEUR ÉLECTROLYSE DOM PH/ORP	10	* 4408041113	FUSIBLE 2A
7	* 4408041207	CARTE PUISSANCE AC-12	10	* 4408041114	FUSIBLE 3A
7	* 4408040058	CARTE PUISSANCE AC-12/PH	10	* 4408041204	FUSIBLE 4A
7	* 4408041303	CARTE PUISSANCE AC-12 (PH/ORP)	11	4408041211	CONTROLEUR DE DEBIT
7	* 4408041115	CARTE PUISSANCE AC-22	12	* 4408041210	MANCHON PE 1/2" - 3/4"
7	* 4408040059	CARTE PUISSANCE AC-22/PH	13	* 4408041018	PORTE-SONDES DOUBLE + POINT D'INJECTION IN

* -> VOIR FICHE D'OBSERVATIONS

CODE **57744, 57745, 57746, 57747, 57748, 57749, 57750, 57751, 57752, 66126, 66127, 66128, 66129, 66130, 66138, 66139, 66140, 66141**

DESCRIPTION: **SYSTÈME NEOLYSIS PISCINE PUBLIQUE NEO-12, NEO-24, NEO-32**

7	* 4408041304	CARTE PUISSANCE AC-22 (PH/ORP)	14	* 4408040068	VANNE INJECTION PH-MINUS 3/8"
15	* 4408040067	BOUCHON M-25 H	26	* 60633	SOLUTION CALIBRAGE 470 MV
16	* 4408041310	CONNECTEUR 12M/M. - 1/2"	27	60607	GAINÉ QUARTZ LP 10, 14
17	4408070077	JOINT TORIQUE	28	* 60599	LAMPE UV LP-10
18	4408040133	CELLULE NEOLYSIS	28	* 60606	LAMPE UV LP-14
19	4408070059	CONNECTEUR 4PIN	29	* 61116	RECHANGE ÉLECTRODE NEOLYSIS 12GR/H-48W
20	4408070078	ENSEMBLE ÉCROUS	29	* 67807	RECHANGE ÉLECTRODE NEOLYSIS 12GR/H-48W
21	4408040132	JOINT CELLULE NEOLYSIS EPDM	29	* 61117	RECHANGE ÉLECTRODE NEOLYSIS 24GR/H-56W
22	* 60648	ELECTRODE COMBINÉE PH	29	* 67808	RECHANGE ÉLECTRODE NEOLYSIS 24GR/H-56W
23	* 60649	ELECTRODE ORP	29	* 61118	RECHANGE ÉLECTRODE NEOLYSIS 32GR/H-56W
24	* 60618	TAMPON PH 7,0 50 M/L. (VERT)	29	* 67809	RECHANGE ÉLECTRODE NEOLYSIS 32GR/H-56W
25	* 60632	TAMPON PH 4,0 50 ML. (ROUGE)			

CODE **57744, 57745, 57746, 57747, 57748, 57749, 57750, 57751, 57752, 66126, 66127, 66128, 66129, 66130, 66138, 66139, 66140, 66141**

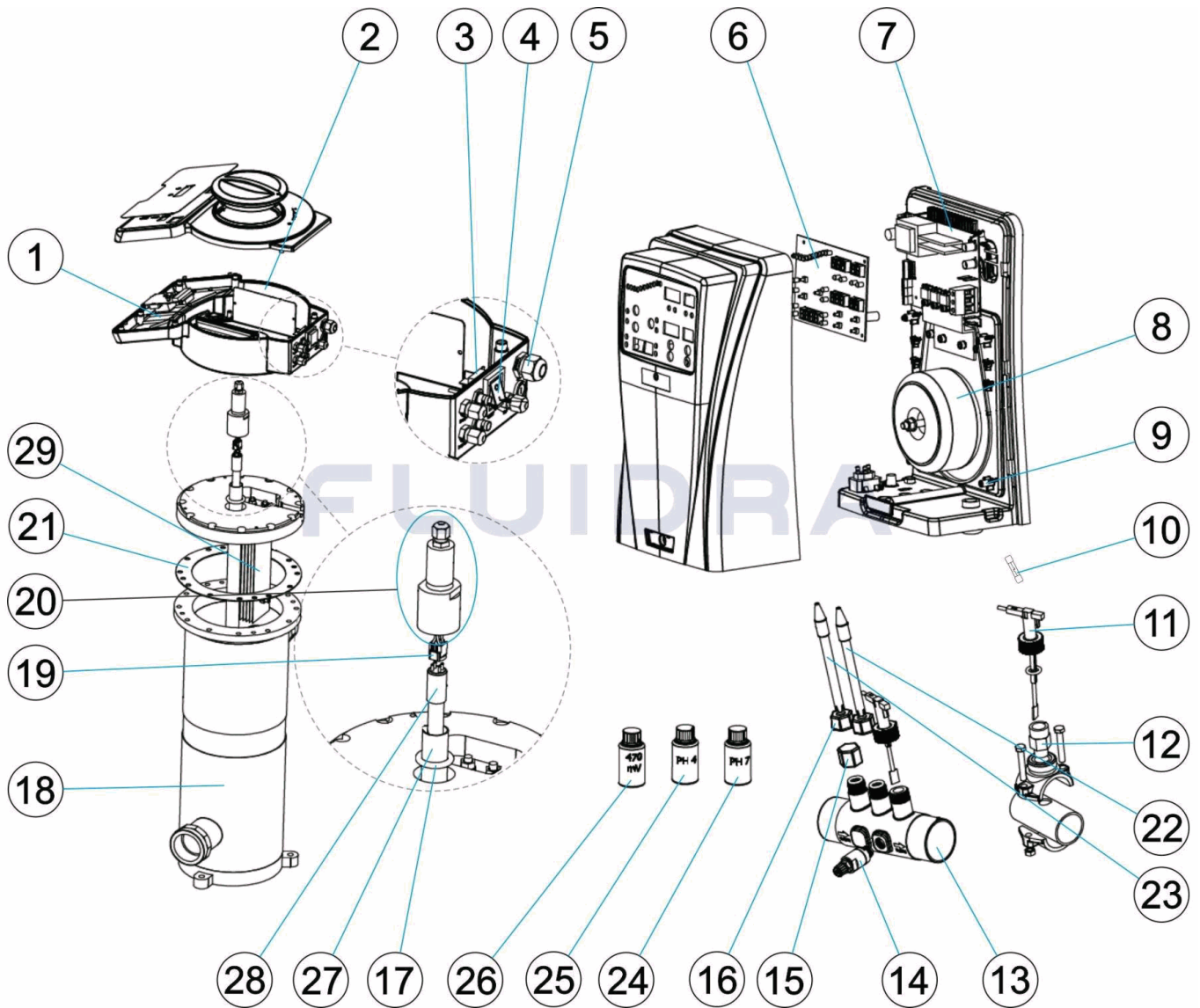
DESCRIPTION: **SYSTÈME NEOLYSIS PISCINE PUBLIQUE NEO-12, NEO-24, NEO-32**

OBSERVATIONS

POS	CODE	OBSERVATIONS
3	4408070069	POUR: 57747, 57748, 57749, 57750, 57751, 57752, 66129, 66130, 66138, 66139, 66140, 66141
6	4408040011	POUR: 57744, 57745, 57746, 66126, 66127, 66128
6	4408040134	POUR: 57747, 57748, 57749, 66129, 66130, 66138
6	4408040012	POUR: 57750, 57751, 57752, 66139, 66140, 66141
7	4408041207	POUR: 57744, 66126
7	4408040058	POUR: 57747, 66130
7	4408041303	POUR: 57750, 66139
7	4408041115	POUR: 57745, 66127
7	4408040059	POUR: 57748, 66130
7	4408041304	POUR: 57751, 66140
7	4408041208	POUR: 57746, 66128
7	4408040060	POUR: 57749, 66138
7	4408041305	POUR: 57752, 66141
8	4408041106	POUR: 57744, 57747, 57750, 66126, 66129, 66139
8	4408041107	POUR: 57745, 57748, 57751, 66127, 66130, 66140
8	4408041202	POUR: 57746, 57749, 57752, 66128, 66138, 66141
10	4408041113	POUR: 57744, 57747, 57750, 66126, 66129, 66139
10	4408041114	POUR: 57745, 57748, 57751, 66127, 66130, 66140
10	4408041204	POUR: 57746, 57749, 57752, 66128, 66138, 66141
12	4408041210	POUR: 57744, 57745, 57746, 66126, 66127, 66128
13	4408041018	POUR: 57747, 57748, 57749, 57750, 57751, 57752, 66129, 66130, 66138, 66139, 66140, 66141
14	4408040068	POUR: 57747, 57748, 57749, 57750, 57751, 57752, 66129, 66130, 66138, 66139, 66140, 66141
15	4408040067	POUR: 57747, 57748, 57749, 66129, 66130, 66138
16	4408041310	POUR: 57747, 57748, 57749, 57750, 57751, 57752, 66129, 66130, 66138, 66139, 66140, 66141
22	60648	POUR: 57747, 57748, 57749, 57750, 57751, 57752, 66129, 66130, 66138, 66139, 66140, 66141
23	60649	POUR: 57750, 57751, 57752, 66139, 66140, 66141
24	60618	POUR: 57745, 57746, 57748, 57749, 57751, 57752, 66127, 66128, 66130, 66138, 66140, 66141
25	60632	POUR: 57745, 57746, 57748, 57749, 57751, 57752, 66127, 66128, 66130, 66138, 66140, 66141
26	60633	POUR: 57750, 57751, 57752, 66139, 66140, 66141
28	60599	POUR: 57744, 57747, 57750, 66126, 66129, 66139
28	60606	POUR: 57745, 57746, 57748, 57749, 57751, 57752, 66127, 66128, 66130, 66138, 66140, 66141
29	61116	POUR: 57744, 57747, 57750
29	67807	POUR: 66126, 66129, 66139
29	61117	POUR: 57745, 57748, 57751
29	67808	POUR: 66127, 66130, 66140
29	61118	POUR: 57746, 57749, 57752
29	67809	POUR: 66128, 66138, 66141

CODE **57744, 57745, 57746, 57747, 57748, 57749, 57750, 57751, 57752, 66126, 66127, 66128, 66129, 66130, 66138, 66139, 66140, 66141**

DESCRIPTION: **NEOLYSIS SYSTEM FOR PUBLIC POOL NEO-12, NEO-24, NEO-32**



ENGLISH

POS	CODE	DESCRIPTION	POS	CODE	DESCRIPTION
1	4408070066	UV ELECTRONIC CARD	7	* 4408041208	POWER CARD AC-30
2	4408070061	BALLAST LP 10, 14	7	* 4408040060	POWER CARD AC-30/PH
3	* 4408070069	BCN CONNECTOR	7	* 4408041305	POWER CARD AC-30 (PH/ORP)
4	4408070065	CIRCUIT BREAKER	8	* 4408041106	POWER TRANSFORMER 190 VA
5	4408041015	FUSE HOLDER 6X32	8	* 4408041107	POWER TRANSFORMER 370 VA
6	* 4408040011	DOM ELECTROLYSIS VIEWER CARD	8	* 4408041202	POWER TRANSFORMER 480 VA
6	* 4408040134	DISPLAY/POWER CARD NEOLYSIS	9	4408040523	FUSE HOLDER 5X20
6	* 4408040012	DOM PH/ORP ELECTROLYSIS VIEWER CARD	10	* 4408041113	FUSE 2A
7	* 4408041207	POWER CARD AC-12	10	* 4408041114	FUSE 3A
7	* 4408040058	POWER CARD AC-12/PH	10	* 4408041204	FUSE 4A
7	* 4408041303	POWER CARD AC-12 (PH/ORP)	11	4408041211	FLOWSWITCH
7	* 4408041115	POWER CARD AC-22	12	* 4408041210	ADAPTOR SOCKET PE 1/2" - 3/4
7	* 4408040059	POWER CARD AC-22/PH	13	* 4408041018	PROBE CARRIER DOUBLE + INTEGRATED INJECTII

*** -> SEE OBSERVATIONS SHEET**

CODE **57744, 57745, 57746, 57747, 57748, 57749, 57750, 57751, 57752, 66126, 66127, 66128, 66129, 66130, 66138, 66139, 66140, 66141**

DESCRIPTION: **NEOLYSIS SYSTEM FOR PUBLIC POOL NEO-12, NEO-24, NEO-32**

7	* 4408041304	POWER CARD AC-22 (PH/ORP)	14	* 4408040068	PH-MINUS INJECTION VALVE 3/8"
15	* 4408040067	PLUG M-25 H	26	* 60633	CALIBRATION SOLUTION ORP 470 MV
16	* 4408041310	CONNECTOR 12M/M. - 1/2"	27	60607	QUARTZ SLEEVE LP 10, 14
17	4408070077	O' RING	28	* 60599	LAMPELC UV LP-10
18	4408040133	NEOLYSIS CELL	28	* 60606	LAMPELC UV LP-14
19	4408070059	4PIN CONNECTOR	29	* 61116	ELECTRODE SPARE NEOLYSIS 12GR/H-48W
20	4408070078	NUTS	29	* 67807	ELECTRODE SPARE NEOLYSIS 12GR/H-48W
21	4408040132	CELL GASKET NEOLYSIS EPDM	29	* 61117	ELECTRODE SPARE NEOLYSIS 24GR/H-56W
22	* 60648	ELECTRODE PH	29	* 67808	ELECTRODE SPARE NEOLYSIS 24GR/H-56W
23	* 60649	ORP ELECTRODE	29	* 61118	ELECTRODE SPARE NEOLYSIS 32GR/H-56W
24	* 60618	CALIBRATION SOLUTION PH 7,0 50 M/L. (GREEN)	29	* 67809	ELECTRODE SPARE NEOLYSIS 32GR/H-56W
25	* 60632	CALIBRATION SOLUTION PH 4,0 50 ML. (RED)			

CODE **57744, 57745, 57746, 57747, 57748, 57749, 57750, 57751, 57752, 66126, 66127, 66128, 66129, 66130, 66138, 66139, 66140, 66141**

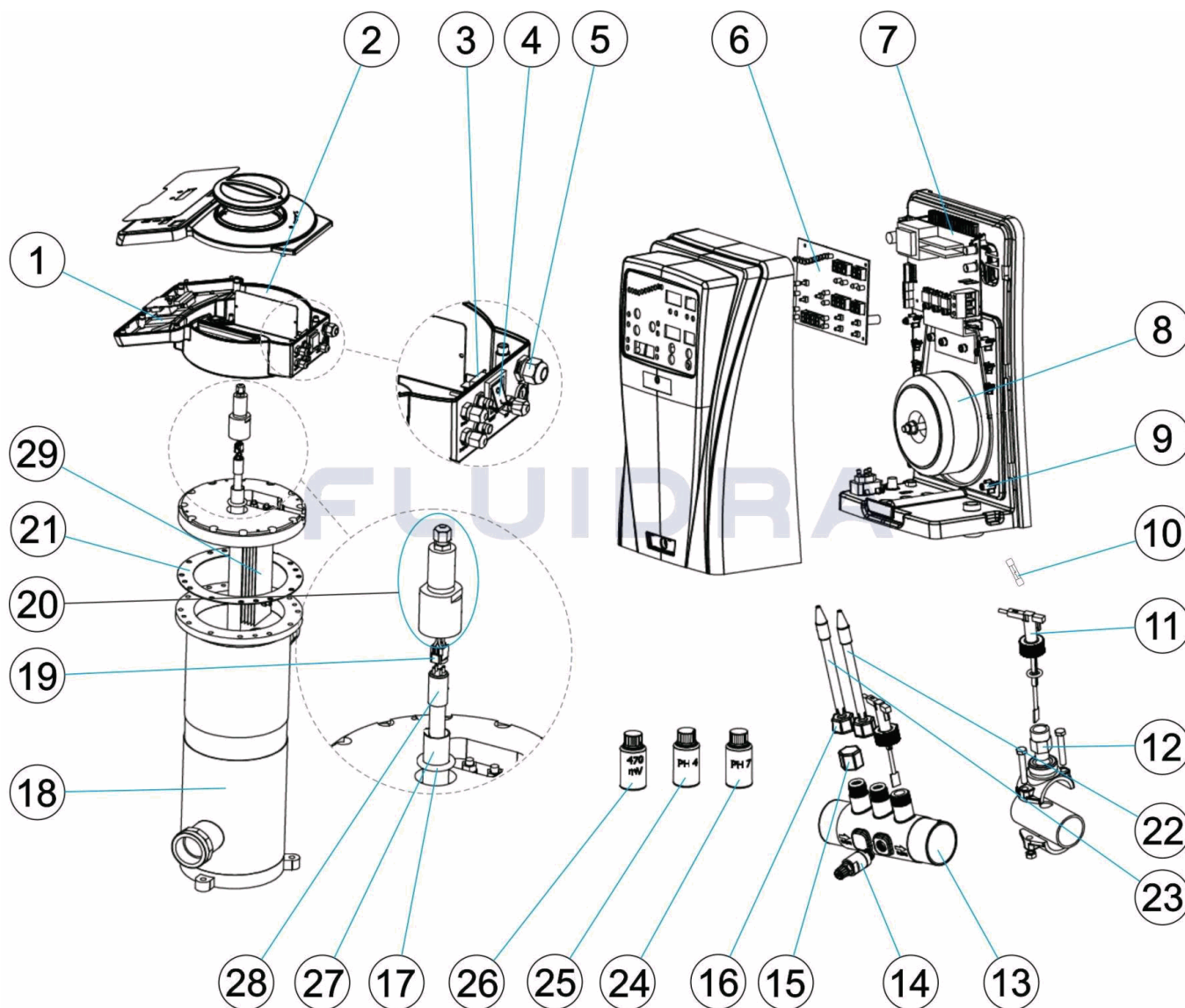
DESCRIPTION: **NEOLYSIS SYSTEM FOR PUBLIC POOL NEO-12, NEO-24, NEO-32**

OBSERVATIONS

POS	CODE	OBSERVATIONS
3	4408070069	FOR: 57747, 57748, 57749, 57750, 57751, 57752, 66129, 66130, 66138, 66139, 66140, 66141
6	4408040011	FOR: 57744, 57745, 57746, 66126, 66127, 66128
6	4408040134	FOR: 57747, 57748, 57749, 66129, 66130, 66138
6	4408040012	FOR: 57750, 57751, 57752, 66139, 66140, 66141
7	4408041207	FOR: 57744, 66126
7	4408040058	FOR: 57747, 66130
7	4408041303	FOR: 57750, 66139
7	4408041115	FOR: 57745, 66127
7	4408040059	FOR: 57748, 66130
7	4408041304	FOR: 57751, 66140
7	4408041208	FOR: 57746, 66128
7	4408040060	FOR: 57749, 66138
7	4408041305	FOR: 57752, 66141
8	4408041106	FOR: 57744, 57747, 57750, 66126, 66129, 66139
8	4408041107	FOR: 57745, 57748, 57751, 66127, 66130, 66140
8	4408041202	FOR: 57746, 57749, 57752, 66128, 66138, 66141
10	4408041113	FOR: 57744, 57747, 57750, 66126, 66129, 66139
10	4408041114	FOR: 57745, 57748, 57751, 66127, 66130, 66140
10	4408041204	FOR: 57746, 57749, 57752, 66128, 66138, 66141
12	4408041210	FOR: 57744, 57745, 57746, 66126, 66127, 66128
13	4408041018	FOR: 57747, 57748, 57749, 57750, 57751, 57752, 66129, 66130, 66138, 66139, 66140, 66141
14	4408040068	FOR: 57747, 57748, 57749, 57750, 57751, 57752, 66129, 66130, 66138, 66139, 66140, 66141
15	4408040067	FOR: 57747, 57748, 57749, 66129, 66130, 66138
16	4408041310	FOR: 57747, 57748, 57749, 57750, 57751, 57752, 66129, 66130, 66138, 66139, 66140, 66141
22	60648	FOR: 57747, 57748, 57749, 57750, 57751, 57752, 66129, 66130, 66138, 66139, 66140, 66141
23	60649	FOR: 57750, 57751, 57752, 66139, 66140, 66141
24	60618	FOR: 57745, 57746, 57748, 57749, 57751, 57752, 66127, 66128, 66130, 66138, 66140, 66141
25	60632	FOR: 57745, 57746, 57748, 57749, 57751, 57752, 66127, 66128, 66130, 66138, 66140, 66141
26	60633	FOR: 57750, 57751, 57752, 66139, 66140, 66141
28	60599	FOR: 57744, 57747, 57750, 66126, 66129, 66139
28	60606	FOR: 57745, 57746, 57748, 57749, 57751, 57752, 66127, 66128, 66130, 66138, 66140, 66141
29	61116	FOR: 57744, 57747, 57750
29	67807	FOR: 66126, 66129, 66139
29	61117	FOR: 57745, 57748, 57751
29	67808	FOR: 66127, 66130, 66140
29	61118	FOR: 57746, 57749, 57752
29	67809	FOR: 66128, 66138, 66141

CODICE 57744, 57745, 57746, 57747, 57748, 57749, 57750, 57751, 57752, 66126, 66127, 66128, 66129, 66130, 66138, 66139, 66140, 66141

DESCRIZIONE: SISTEMA NEOLISYS PISCINA PUBBLICA NEO-12, NEO-24, NEO-32



ITALIANO

POS	CODICE	DESCRIZIONE	POS	CODICE	DESCRIZIONE
1	4408070066	UV SCHEDA ELETTRONICA	7	* 4408041208	CARTA POTENZA AC-30
2	4408070061	REGOLATORE DI CORRENTE LP 10, 14	7	* 4408040060	CARTA POTENZA AC-30/PH
3	* 4408070069	CONNETTORE BCN	7	* 4408041305	CARTA POTENZA AC-30 (PH/ORP)
4	4408070065	INTERRUTTORE	8	* 4408041106	TRANSFORMATORE POTENZA 190 VA
5	4408041015	PORTAFUSIBILI 6X32 CORPO	8	* 4408041107	TRANSFORMATORE POTENZA 370 VA
6	* 4408040011	SCHEDA VISORE ELETTROLISI DOM	8	* 4408041202	TRANSFORMATORE POTENZA 480 VA
6	* 4408040134	CARTA D'INDICAZIONE NEOLYSIS	9	4408040523	PORTAFUSIBILI 5X20 CORPO
6	* 4408040012	SCHEDA VISORE ELETTROLISI DOM PH/ORP	10	* 4408041113	FUSIVILE 2A
7	* 4408041207	CARTA POTENZA AC-12	10	* 4408041114	FUSIVILE 3A
7	* 4408040058	CARTA POTENZA AC-12/PH	10	* 4408041204	FUSIVILE 4A
7	* 4408041303	CARTA POTENZA AC-12 (PH/ORP)	11	4408041211	FLUSSOSTATO
7	* 4408041115	CARTA POTENZA AC-22	12	* 4408041210	MANICOTTO PE 1/2" - 3/4"
7	* 4408040059	CARTA POTENZA AC-22/PH	13	* 4408041018	PORTA SONDA DOPPIO PUNTO INIEZIONE

* -> SI FACCI RIFERIMENTO AL FOGLIO DELLE OSSERVAZIONI

CODICE **57744, 57745, 57746, 57747, 57748, 57749, 57750, 57751, 57752, 66126, 66127, 66128, 66129, 66130, 66138, 66139, 66140, 66141**

DESCRIZIONE: SISTEMA NEOLISYS PISCINA PUBBLICA NEO-12, NEO-24, NEO-32

7	* 4408041304	CARTA POTENZA AC-22 (PH/ORP)	14	* 4408040068	VALVOLA INIEZIONE PH-MINUS 3/8"
15	* 4408040067	TAPPO M-25 H	26	* 60633	SOLUCIONE CALIBRACIONE 470MV.
16	* 4408041310	CONNETTORE 12M/M. - 1/2"	27	60607	GUAINA DI QUARZO LP 10, 14
17	4408070077	O-RING	28	* 60599	LAMPADA UV LP-10
18	4408040133	CELLULA NEOLISYS	28	* 60606	LAMPADA UV LP-14
19	4408070059	CONNETTORE 4910	29	* 61116	RECAMBIO ELETTRODO NEOLYSIS 12GR/H-48W
20	4408070078	CONGIUNTO DADI	29	* 67807	RECAMBIO ELETTRODO NEOLYSIS 12GR/H-48W
21	4408040132	GIUNTA CELLULA NEOLYSIS EPDM	29	* 61117	RECAMBIO ELETTRODO NEOLYSIS 24GR/H-56W
22	* 60648	ELETTRODO COMBINATO PH	29	* 67808	RECAMBIO ELETTRODO NEOLYSIS 24GR/H-56W
23	* 60649	ELETTRODO RX	29	* 61118	RECAMBIO ELETTRODO NEOLYSIS 32GR/H-56W
24	* 60618	SOLUCIONE TAMPONE PH 7,0 50 M/L. (VERDE)	29	* 67809	RECAMBIO ELETTRODO NEOLYSIS 32GR/H-56W
25	* 60632	SOLUCIONE TAMPONE PH 4,0 50 ML. (ROSSO)			

CODICE **57744, 57745, 57746, 57747, 57748, 57749, 57750, 57751, 57752, 66126, 66127, 66128, 66129, 66130, 66138, 66139, 66140, 66141**

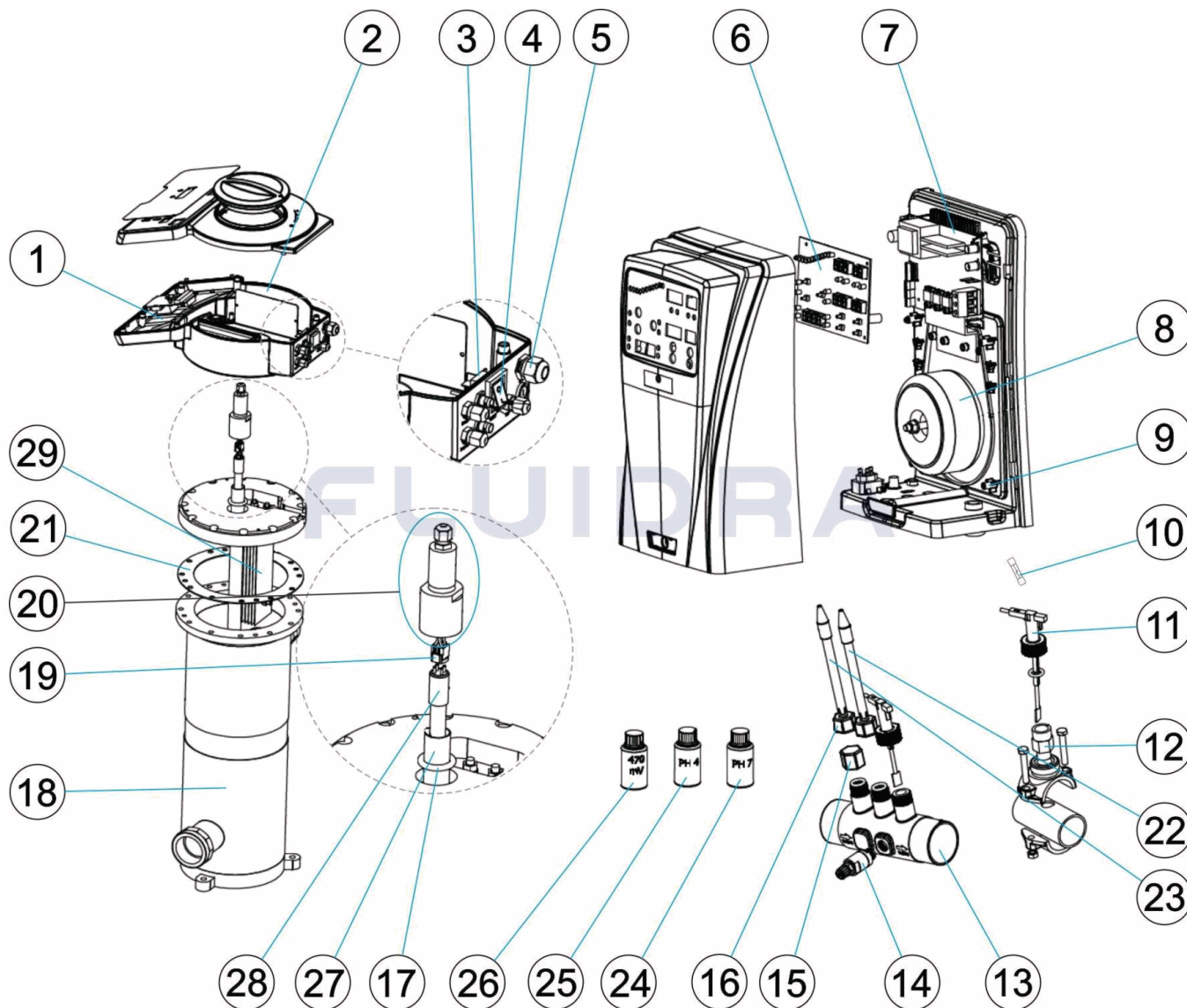
DESCRIZIONE: SISTEMA NEOLISYS PISCINA PUBBLICA NEO-12, NEO-24, NEO-32

OSSERVAZIONI

POS	CODICE	OSSERVAZIONI
3	4408070069	PER: 57747, 57748, 57749, 57750, 57751, 57752, 66129, 66130, 66138, 66139, 66140, 66141
6	4408040011	PER: 57744, 57745, 57746, 66126, 66127, 66128
6	4408040134	PER: 57747, 57748, 57749, 66129, 66130, 66138
6	4408040012	PER: 57750, 57751, 57752, 66139, 66140, 66141
7	4408041207	PER: 57744, 66126
7	4408040058	PER: 57747, 66130
7	4408041303	PER: 57750, 66139
7	4408041115	PER: 57745, 66127
7	4408040059	PER: 57748, 66130
7	4408041304	PER: 57751, 66140
7	4408041208	PER: 57746, 66128
7	4408040060	PER: 57749, 66138
7	4408041305	PER: 57752, 66141
8	4408041106	PER: 57744, 57747, 57750, 66126, 66129, 66139
8	4408041107	PER: 57745, 57748, 57751, 66127, 66130, 66140
8	4408041202	PER: 57746, 57749, 57752, 66128, 66138, 66141
10	4408041113	PER: 57744, 57747, 57750, 66126, 66129, 66139
10	4408041114	PER: 57745, 57748, 57751, 66127, 66130, 66140
10	4408041204	PER: 57746, 57749, 57752, 66128, 66138, 66141
12	4408041210	PER: 57744, 57745, 57746, 66126, 66127, 66128
13	4408041018	PER: 57747, 57748, 57749, 57750, 57751, 57752, 66129, 66130, 66138, 66139, 66140, 66141
14	4408040068	PER: 57747, 57748, 57749, 57750, 57751, 57752, 66129, 66130, 66138, 66139, 66140, 66141
15	4408040067	PER: 57747, 57748, 57749, 66129, 66130, 66138
16	4408041310	PER: 57747, 57748, 57749, 57750, 57751, 57752, 66129, 66130, 66138, 66139, 66140, 66141
22	60648	PER: 57747, 57748, 57749, 57750, 57751, 57752, 66129, 66130, 66138, 66139, 66140, 66141
23	60649	PER: 57750, 57751, 57752, 66139, 66140, 66141
24	60618	PER: 57745, 57746, 57748, 57749, 57751, 57752, 66127, 66128, 66130, 66138, 66140, 66141
25	60632	PER: 57745, 57746, 57748, 57749, 57751, 57752, 66127, 66128, 66130, 66138, 66140, 66141
26	60633	PER: 57750, 57751, 57752, 66139, 66140, 66141
28	60599	PER: 57744, 57747, 57750, 66126, 66129, 66139
28	60606	PER: 57745, 57746, 57748, 57749, 57751, 57752, 66127, 66128, 66130, 66138, 66140, 66141
29	61116	PER: 57744, 57747, 57750
29	67807	PER: 66126, 66129, 66139
29	61117	PER: 57745, 57748, 57751
29	67808	PER: 66127, 66130, 66140
29	61118	PER: 57746, 57749, 57752
29	67809	PER: 66128, 66138, 66141

CODE 57744, 57745, 57746, 57747, 57748, 57749, 57750, 57751, 57752, 66126, 66127, 66128, 66129, 66130, 66138, 66139, 66140, 66141

BESCHREIBUNG: NEOLYSESYSTEM PRIVATBECKEN NEO-12, NEO-24, NEO-32



DEUTSCH

POS	CODE	BESCHREIBUNG	POS	CODE	BESCHREIBUNG
1	4408070066	UV ELEKTRISCHE PLATINE	7	* 4408041208	LEISTUNGSPLATINE AC - 30
2	4408070061	VORSCHALTGERÄT LP 10, 14	7	* 4408040060	LEISTUNGSPLATINE AC - 30/PH
3	* 4408070069	STECKKUPPLUNG BCN	7	* 4408041305	LEISTUNGSPLATINE AC-30 (PH/ORP)
4	4408070065	SCHALTER	8	* 4408041106	TRAFO 190 VA
5	4408041015	SICHERUNGSSITZ 6 X 32 RAHMEN	8	* 4408041107	TRAFO 370 VA
6	* 4408040011	VISUALISIERPLATINE ELEKTROLYSE DOM	8	* 4408041202	TRAFO 480 VA
6	* 4408040134	VISUALISIERPLATINE NEOLYSE	9	4408040523	SICHERUNGSSITZ 5 X 20 RAHMEN
6	* 4408040012	BILDSCHIRM ELEKTROLYSE DOM PH/ORP	10	* 4408041113	SICHERUNG 2 A
7	* 4408041207	LEISTUNGSPLATINE AC - 12	10	* 4408041114	SICHERUNG 3 A
7	* 4408040058	LEISTUNGSPLATINE AC - 12/PH	10	* 4408041204	SICHERUNG 4 A
7	* 4408041303	LEISTUNGSPLATINE AC-12 (PH/ORP)	11	4408041211	DURCHFLUSSMESSER
7	* 4408041115	LEISTUNGSPLATINE AC - 22	12	* 4408041210	REDUZIERSTÜCK GEWINDE 3/4" 1/2"
7	* 4408040059	LEISTUNGSPLATINE AC - 22/PH	13	* 4408041018	SONDENHALTERUNGSDOPPELT MIT INTEGRIERTE

* -> SIEHE ANMERKUNGSBLATT

CODE **57744, 57745, 57746, 57747, 57748, 57749, 57750, 57751, 57752, 66126, 66127, 66128, 66129, 66130, 66138, 66139, 66140, 66141**

BESCHREIBUNG: **NEOLYSESYSTEM PRIVATBECKEN NEO-12, NEO-24, NEO-32**

7	* 4408041304	LEISTUNGSPLATINE AC-22 (PH/ORP)	14	* 4408040068	INJEKTORVENTIL PH-MINUS 3/8"
15	* 4408040067	STOPFEN PH/OPR-SONDE SONDENHALTERUNG	26	* 60633	KALIBERIERLÖSUNG 47 0MV
16	* 4408041310	GEWINDESTÜCK SONDE 12 MM - 1/2"	27	60607	QUARZRÖHRE UV LP - 10,14
17	4408070077	O-RING	28	* 60599	LAMPE UV LP - 10
18	4408040133	ZELLE NEOLYSE PRIVATBECKEN	28	* 60606	LAMPE UV LP - 14
19	4408070059	STECKKUPPLUNG 4PIN	29	* 61116	ERSATZTEIL ELEKTRODE NEOLYSE 12GR/H - 48 V
20	4408070078	SET MUTTERN	29	* 67807	ERSATZTEIL ELEKTRODE NEOLYSE 12GR/H - 48 V
21	4408040132	DICHTUNG FLANSCH ZELLE NEOLYSE EPDM	29	* 61117	ERSATZTEIL ELEKTRODE NEOLYSE 24GR/H - 56 V
22	* 60648	ELEKTRODE KOMBINIERT PH	29	* 67808	ERSATZTEIL ELEKTRODE NEOLYSE 24GR/H - 56 V
23	* 60649	ORP-ELEKTRODE	29	* 61118	ERSATZTEIL ELEKTRODE NEOLYSE 32GR/H - 56 V
24	* 60618	PUFFER PH 7,0 50 ML (GRÜN)	29	* 67809	ERSATZTEIL ELEKTRODE NEOLYSE 32GR/H - 56 V
25	* 60632	PUFFER PH 4,0 50 ML (ROT)			

CODE **57744, 57745, 57746, 57747, 57748, 57749, 57750, 57751, 57752, 66126, 66127, 66128, 66129, 66130, 66138, 66139, 66140, 66141**

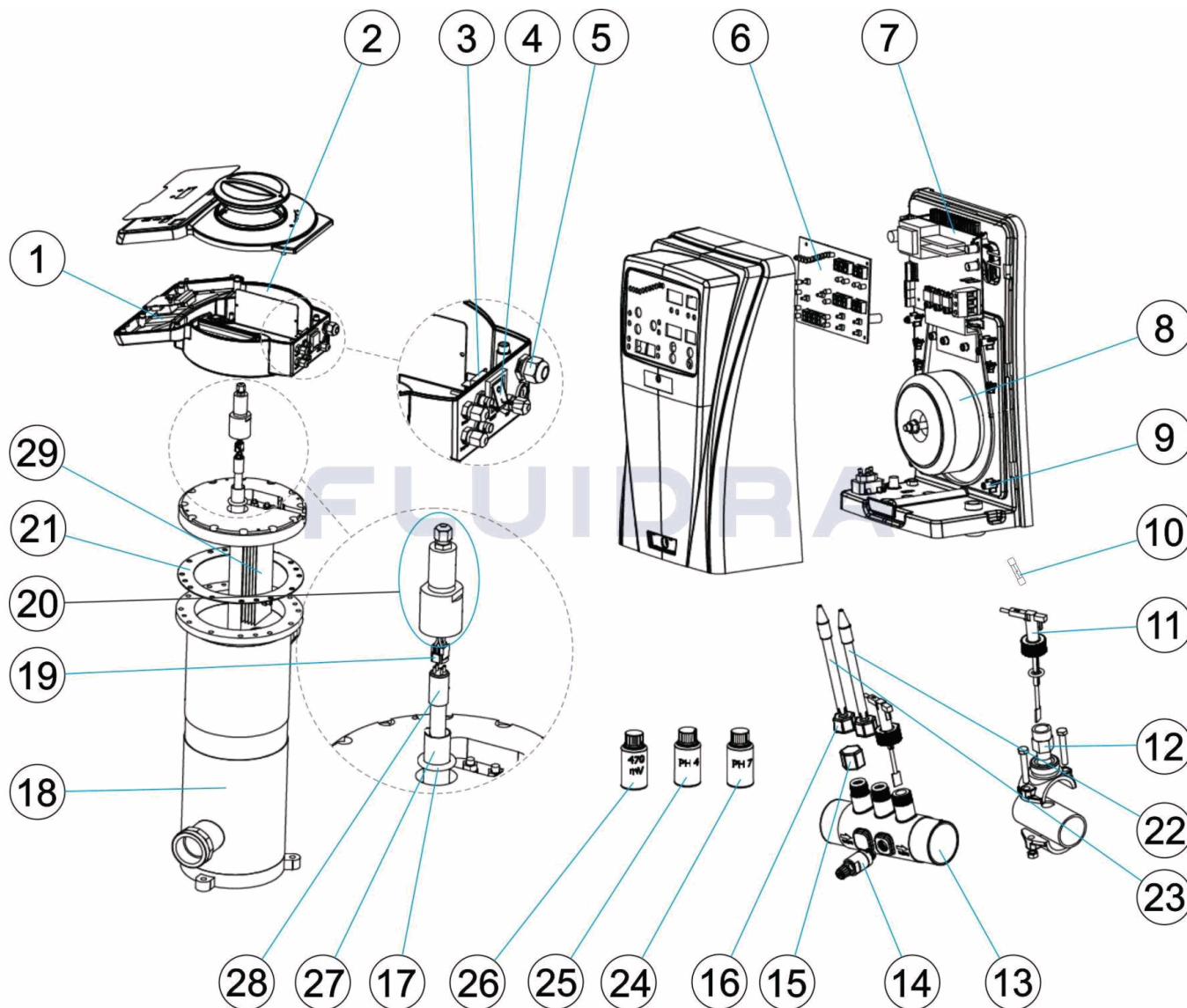
BESCHREIBUNG: **NEOLYSESYSTEM PRIVATBECKEN NEO-12, NEO-24, NEO-32**

HINWEISE

POS	CODE	HINWEISE
3	4408070069	FÜR: 57747, 57748, 57749, 57750, 57751, 57752, 66129, 66130, 66138, 66139, 66140, 66141
6	4408040011	FÜR: 57744, 57745, 57746, 66126, 66127, 66128
6	4408040134	FÜR: 57747, 57748, 57749, 66129, 66130, 66138
6	4408040012	FÜR: 57750, 57751, 57752, 66139, 66140, 66141
7	4408041207	FÜR: 57744, 66126
7	4408040058	FÜR: 57747, 66130
7	4408041303	FÜR: 57750, 66139
7	4408041115	FÜR: 57745, 66127
7	4408040059	FÜR: 57748, 66130
7	4408041304	FÜR: 57751, 66140
7	4408041208	FÜR: 57746, 66128
7	4408040060	FÜR: 57749, 66138
7	4408041305	FÜR: 57752, 66141
8	4408041106	FÜR: 57744, 57747, 57750, 66126, 66129, 66139
8	4408041107	FÜR: 57745, 57748, 57751, 66127, 66130, 66140
8	4408041202	FÜR: 57746, 57749, 57752, 66128, 66138, 66141
10	4408041113	FÜR: 57744, 57747, 57750, 66126, 66129, 66139
10	4408041114	FÜR: 57745, 57748, 57751, 66127, 66130, 66140
10	4408041204	FÜR: 57746, 57749, 57752, 66128, 66138, 66141
12	4408041210	FÜR: 57744, 57745, 57746, 66126, 66127, 66128
13	4408041018	FÜR: 57747, 57748, 57749, 57750, 57751, 57752, 66129, 66130, 66138, 66139, 66140, 66141
14	4408040068	FÜR: 57747, 57748, 57749, 57750, 57751, 57752, 66129, 66130, 66138, 66139, 66140, 66141
15	4408040067	FÜR: 57747, 57748, 57749, 66129, 66130, 66138
16	4408041310	FÜR: 57747, 57748, 57749, 57750, 57751, 57752, 66129, 66130, 66138, 66139, 66140, 66141
22	60648	FÜR: 57747, 57748, 57749, 57750, 57751, 57752, 66129, 66130, 66138, 66139, 66140, 66141
23	60649	FÜR: 57750, 57751, 57752, 66139, 66140, 66141
24	60618	FÜR: 57745, 57746, 57748, 57749, 57751, 57752, 66127, 66128, 66130, 66138, 66140, 66141
25	60632	FÜR: 57745, 57746, 57748, 57749, 57751, 57752, 66127, 66128, 66130, 66138, 66140, 66141
26	60633	FÜR: 57750, 57751, 57752, 66139, 66140, 66141
28	60599	FÜR: 57744, 57747, 57750, 66126, 66129, 66139
28	60606	FÜR: 57745, 57746, 57748, 57749, 57751, 57752, 66127, 66128, 66130, 66138, 66140, 66141
29	61116	FÜR: 57744, 57747, 57750
29	67807	FÜR: 66126, 66129, 66139
29	61117	FÜR: 57745, 57748, 57751
29	67808	FÜR: 66127, 66130, 66140
29	61118	FÜR: 57746, 57749, 57752
29	67809	FÜR: 66128, 66138, 66141

CODIGO 57744, 57745, 57746, 57747, 57748, 57749, 57750, 57751, 57752, 66126, 66127, 66128, 66129, 66130, 66138, 66139, 66140, 66141

DESCRIÇÃO: SISTEMA NEOLYSIS PISCINA PÚBLICA NEO-12



PORTUGUES

POS	CODIGO	DESCRIÇÃO	POS	CODIGO	DESCRIÇÃO
1	4408070066	UV CARTÃO ELECTRÔNICO	7	* 4408041208	TARJETA POTÊNCIA AC-30
2	4408070061	BALASTRO LP 10, 14	7	* 4408040060	TARJETA POTÊNCIA AC-30/PH
3	* 4408070069	LIGAÇÃO BCN	7	* 4408041305	TARJETA POTÊNCIA AC-30 (PH/ORP)
4	4408070065	INTERRUPTOR	8	* 4408041106	TRANSFORMADOR POTÊNCIA 190VA
5	4408041015	PORTAFUSIVEIS 6X32 CHASIS	8	* 4408041107	TRANSFORMADOR POTÊNCIA 370VA
6	* 4408040011	PLACA VISUALIZAÇÃO ELECTRÓLISE DOM	8	* 4408041202	TRANSFORMADOR POTÊNCIA 480VA
6	* 4408040134	TARJETA INDICAÇÃO NEOLYSIS	9	4408040523	PORTAFUSIVEIS 5X20 CHASIS
6	* 4408040012	PLACA VISUALIZAÇÃO ELECTRÓLISE DOM PH/ORP	10	* 4408041113	FUSÍVEL 2A
7	* 4408041207	TARJETA POTÊNCIA AC-12	10	* 4408041114	FUSÍVEL 3A
7	* 4408040058	TARJETA POTÊNCIA AC-12/PH	10	* 4408041204	FUSÍVEL 4A
7	* 4408041303	TARJETA POTÊNCIA AC-12 (PH/ORP)	11	4408041211	FLUXO-ESTATO
7	* 4408041115	TARJETA POTÊNCIA AC-22	12	* 4408041210	UNIÃO PE 1/2" - 3/4"
7	* 4408040059	TARJETA POTÊNCIA AC-22/PH	13	* 4408041018	PORTA-SONDAS DUPLO + PUNTO INJEC. INT

* -> VEJA A FICHA DE OBSERVAÇÕES

CODIGO **57744, 57745, 57746, 57747, 57748, 57749, 57750, 57751, 57752, 66126, 66127, 66128, 66129, 66130, 66138, 66139, 66140, 66141**

DESCRIÇÃO: SISTEMA NEOLYSIS PISCINA PÚBLICA NEO-12

7	* 4408041304	TARJETA POTÊNCIA AC-22 (PH/ORP)	14	* 4408040068	VALVOLA INJEÇÃO PH-MINUS 3/8"
15	* 4408040067	TAMPÃO M-25 H	26	* 60633	SOLUÇÃO TAMPÃO 470 MV
16	* 4408041310	CONECTOR 12M/M. - 1/2"	27	60607	TUBO DE QUARZO LP 10, 14
17	4408070077	JUNTA TÓRICA	28	* 60599	LÂMPADA UV LP-10
18	4408040133	CÉLULA NEOLYSIS	28	* 60606	LÂMPADA UV LP-14
19	4408070059	LIGAÇÃO 4PIN	29	* 61116	SOBRESSALENTE ELÉCTRODO NEOLYSIS 12GR/F
20	4408070078	CJTO. PORCAS	29	* 67807	SOBRESSALENTE ELÉCTRODO NEOLYSIS 12GR/F
21	4408040132	JUNTA CELULA NEOLYSIS EPDM	29	* 61117	SOBRESSALENTE ELÉCTRODO NEOLYSIS 24GR/F
22	* 60648	ELECTRODO COMBINADO PH	29	* 67808	SOBRESSALENTE ELÉCTRODO NEOLYSIS 24GR/F
23	* 60649	ELECTRODO ORP	29	* 61118	SOBRESSALENTE ELÉCTRODO NEOLYSIS 32GR/F
24	* 60618	SOLUÇÃO TAMPÃO PH 7,0 50 M/L. (VERDE)	29	* 67809	SOBRESSALENTE ELÉCTRODO NEOLYSIS 32GR/F
25	* 60632	SOLUÇÃO TAMPÃO PH 4,0 50 ML. (VERMELHO)			

CODIGO **57744, 57745, 57746, 57747, 57748, 57749, 57750, 57751, 57752, 66126, 66127, 66128, 66129, 66130, 66138, 66139, 66140, 66141**

DESCRIÇÃO: SISTEMA NEOLYSIS PISCINA PÚBLICA NEO-12

OBSERVAÇÕES

POS	CODIGO	OBSERVAÇÕES
3	4408070069	PARA: 57747, 57748, 57749, 57750, 57751, 57752, 66129, 66130, 66138, 66139, 66140, 66141
6	4408040011	PARA: 57744, 57745, 57746, 66126, 66127, 66128
6	4408040134	PARA: 57747, 57748, 57749, 66129, 66130, 66138
6	4408040012	PARA: 57750, 57751, 57752, 66139, 66140, 66141
7	4408041207	PARA: 57744, 66126
7	4408040058	PARA: 57747, 66130
7	4408041303	PARA: 57750, 66139
7	4408041115	PARA: 57745, 66127
7	4408040059	PARA: 57748, 66130
7	4408041304	PARA: 57751, 66140
7	4408041208	PARA: 57746, 66128
7	4408040060	PARA: 57749, 66138
7	4408041305	PARA: 57752, 66141
8	4408041106	PARA: 57744, 57747, 57750, 66126, 66129, 66139
8	4408041107	PARA: 57745, 57748, 57751, 66127, 66130, 66140
8	4408041202	PARA: 57746, 57749, 57752, 66128, 66138, 66141
10	4408041113	PARA: 57744, 57747, 57750, 66126, 66129, 66139
10	4408041114	PARA: 57745, 57748, 57751, 66127, 66130, 66140
10	4408041204	PARA: 57746, 57749, 57752, 66128, 66138, 66141
12	4408041210	PARA: 57744, 57745, 57746, 66126, 66127, 66128
13	4408041018	PARA: 57747, 57748, 57749, 57750, 57751, 57752, 66129, 66130, 66138, 66139, 66140, 66141
14	4408040068	PARA: 57747, 57748, 57749, 57750, 57751, 57752, 66129, 66130, 66138, 66139, 66140, 66141
15	4408040067	PARA: 57747, 57748, 57749, 66129, 66130, 66138
16	4408041310	PARA: 57747, 57748, 57749, 57750, 57751, 57752, 66129, 66130, 66138, 66139, 66140, 66141
22	60648	PARA: 57747, 57748, 57749, 57750, 57751, 57752, 66129, 66130, 66138, 66139, 66140, 66141
23	60649	PARA: 57750, 57751, 57752, 66139, 66140, 66141
24	60618	PARA: 57745, 57746, 57748, 57749, 57751, 57752, 66127, 66128, 66130, 66138, 66140, 66141
25	60632	PARA: 57745, 57746, 57748, 57749, 57751, 57752, 66127, 66128, 66130, 66138, 66140, 66141
26	60633	PARA: 57750, 57751, 57752, 66139, 66140, 66141
28	60599	PARA: 57744, 57747, 57750, 66126, 66129, 66139
28	60606	PARA: 57745, 57746, 57748, 57749, 57751, 57752, 66127, 66128, 66130, 66138, 66140, 66141
29	61116	PARA: 57744, 57747, 57750
29	67807	PARA: 66126, 66129, 66139
29	61117	PARA: 57745, 57748, 57751
29	67808	PARA: 66127, 66130, 66140
29	61118	PARA: 57746, 57749, 57752
29	67809	PARA: 66128, 66138, 66141