

**'16**  
NEU  
NEW

## TECHNISCHE EIGENSCHAFTEN TECHNICAL CHARACTERISTICS



„Pipe Fittings“ sind die optimale Lösung für Rohrverbindungen durch Brunnenwände oder den Brunnenboden.

Verfügbar in Standardgrößen von 1" bis 4", die perfekt untereinander kombinierbar sind.

Alle Modelle sind sehr robust und oxidationsbeständig, da sie vollständig aus rostfreiem Stahl AISI 316 gefertigt sind.

Pipe fittings are the best way of connecting pipes through the wall or the floor of a fountain.

Available in standard sizes from 1" to 4".

All models are extremely robust and resistant to oxidation because they are made entirely of AISI 316 stainless steel.

### PIPE FITTING

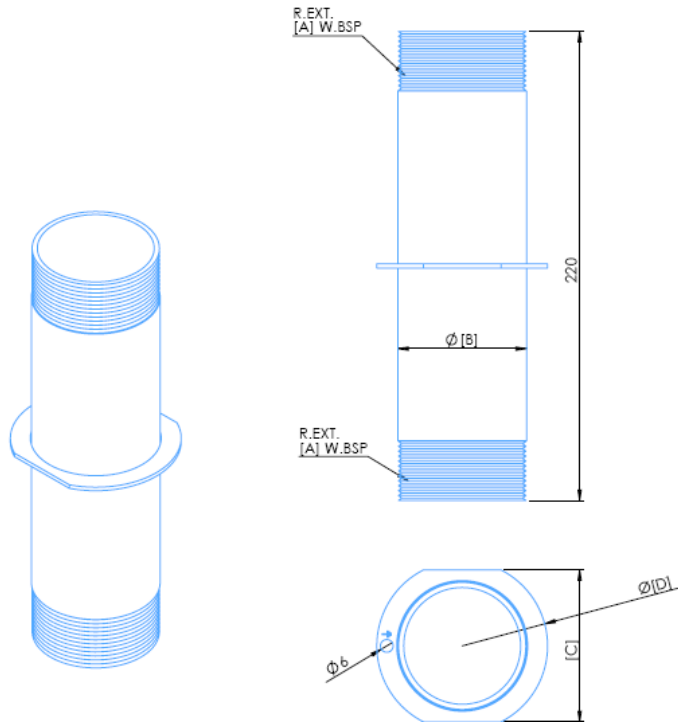
**Code / Code:**

		L [mm]	A	B [mm]	C [mm]	D [mm]
66615	PIPE FITTING M-M 1"	220	1"	33,4	45	70
66616	PIPE FITTING M-M 1-1/2"	220	1 1/2"	48,3	60	75
66617	PIPE FITTING M-M 2"	220	2"	60,3	72	80
66618	PIPE FITTING M-M 3"	220	3"	88,9	100	120
66619	PIPE FITTING M-M 4"	220	4"	114,3	126	145
66620	PIPE FITTING F-F 1"	220	1"	33,4	45	70
66621	PIPE FITTING F-F 1-1/2"	220	1 1/2"	48,3	60	75
66622	PIPE FITTING F-F 2"	220	2"	60,3	72	80
66623	PIPE FITTING F-F 3"	220	3"	88,9	100	120
66624	PIPE FITTING F-F 4"	220	4"	114,3	126	145
66625	PIPE FITTING M-F 1"	220	1"	33,4	45	70
66626	PIPE FITTING M-F 1-1/2"	220	1 1/2"	48,3	60	75
66627	PIPE FITTING M-F 2"	220	2"	60,3	72	80
66628	PIPE FITTING M-F 3"	220	3"	88,9	100	120
66629	PIPE FITTING M-F 4"	220	4"	114,3	126	145

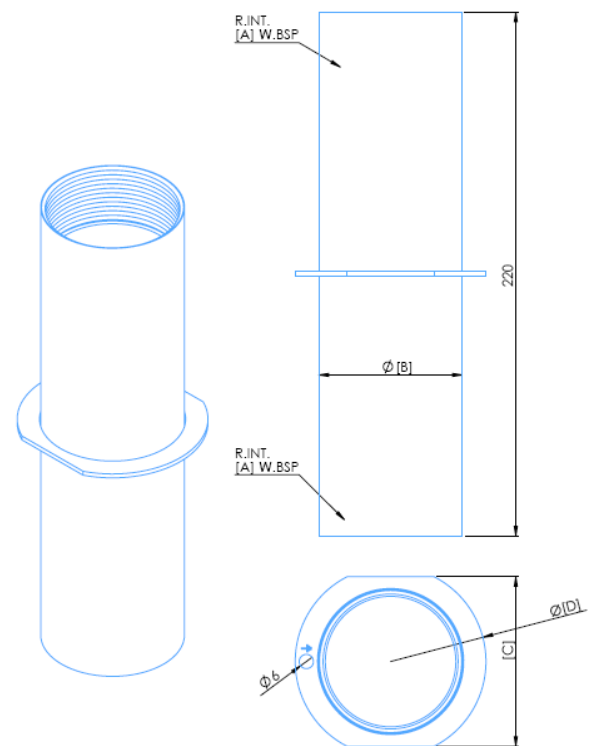
ABMESSUNGEN  
DIMENSIONS

Code / Code:

66615, 66616, 66617  
66618, 66619



66620, 66621, 66622  
66623, 66624



66625, 66626, 66627, 66628, 66629

