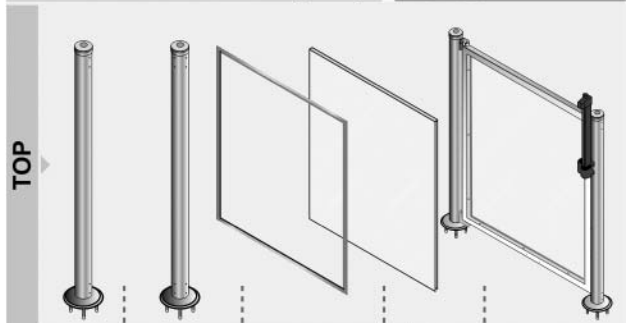




SOLICITUD VALLA / REQUEST FENCE

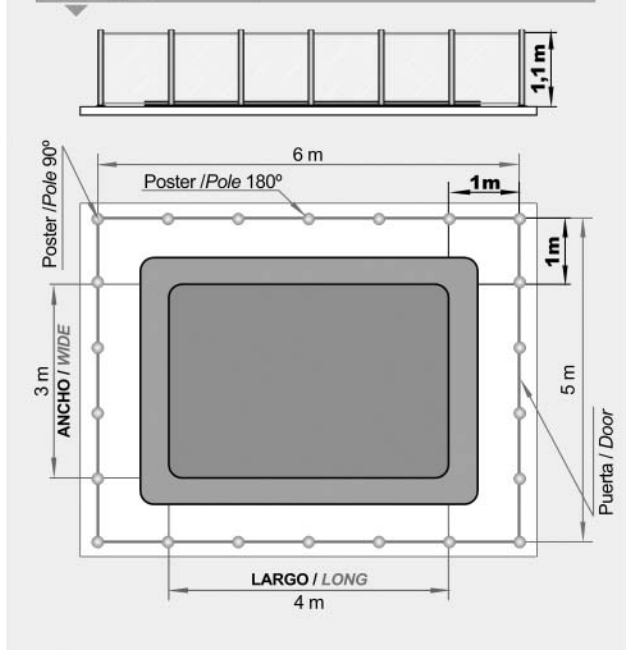
FORMA PISCINA RECTANGULAR / RECTANGLE SWIMMING POOL FORM

	Largo / Long	Ancho / Wide
Medida piscina / Swimming pool measure	4	3
Distancia piscina a valla: 1 metro / Distance swimming pool a fence: 1 meter		
Medidas valla / Measure fence	6	5
Perimetro valla / Perimeter fence (meters)	22 m	

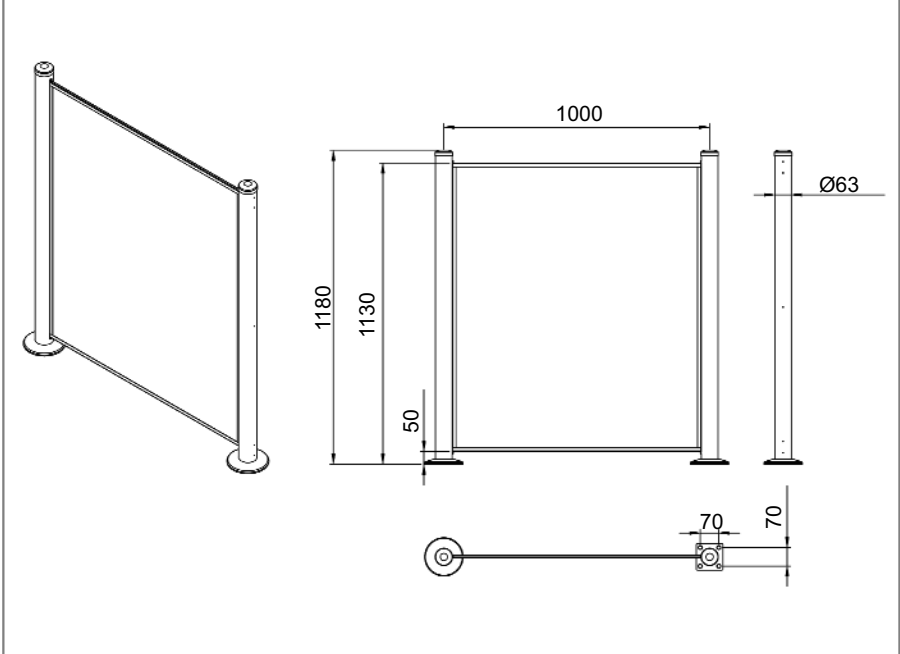


POSTE / POLE 180°	POSTE / POLE 90°	PERFILES U PROFILE	CRISTAL PANE	PUERTA DOOR CLOUSER
Codes 32664	32665	32666	32667	32668
Ej. / Ex. 16 u	4 u	21 u	21 u	1 u

Ejemplo / Example



32664-32665-32666-32667 Technical characteristics



32668 Technical characteristics

