

Disclaimer

# PLUVIUM

english



Our commitment: excellence



# INDEX

1. Product data sheet and technical characteristics
  - 1.1. Table of technical characteristics
  - 1.2. Flow table
  - 1.3. Packaging
    - 1.3.1. Shower palletised
    - 1.3.2. Shower tray palletised
  - 1.4. General dimensions
2. Quality control check-list
3. Available certificates about the product, the production process and the systems implemented in the company
4. Warranty certificate
  - 4.1. General provisions
  - 4.2. Limits
  - 4.3. Exclusions
5. Design standard and general characteristics
6. Diagram
7. Recommendations
  - 7.1. Packaging
  - 7.2. Storage
  - 7.3. Transport
  - 7.4. Installation manual and how to start up the product
  - 7.5. Maintenance
8. Table of errors
9. Table "DOs AND DON'Ts"



# 1. Product data sheet and technical characteristics

## 1.1. Table of technical characteristics



### Pluvium shower

New shower with an elegant and modern image thanks to its minimalistic design and the high quality of its materials. Designed to offer the utmost in well-being and relaxation.

- Rainfall System: the water spray creates a relaxing effect.
- Adjustable sprinkler: for increased user comfort and better usage of water.
- Single lever mixes hot and cold water control for increased bather comfort.
- Sprinkler with anti-scale system offers greater durability.
- Optional shower tray for a perfect finish.

### Technical characteristics

- Made of AISI-316 SATIN stainless steel.
- Ipe wood.
- Adjustable sprinkler made in chrome-plated brass with anti-scale system.
- Single lever mixer made in chrome-plated brass.
- Fixation to the floor with four screws.
- Flow limiting system.

| Code  | DESCRIPTION                                      |
|-------|--|
| 43432 | PLUVIUM shower                                   |
| 43434 | PLUVIUM shower tray                              |
| 43583 | Combination PLUVIUM shower + PLUVIUM shower tray |

## 1.2. Flow table

| <b>WATER CONSUMPTION:</b>           |              |              |              |                |
|-------------------------------------|--------------|--------------|--------------|----------------|
| <b>Without flow limiting system</b> |              |              |              |                |
| <b>Flow pressure</b>                | <b>1 bar</b> | <b>2 bar</b> | <b>3 bar</b> | <b>3,5 bar</b> |
| <b>Hot and cold</b>                 | 6,8 l/min    | 10 l/min     | 12,8 l/min   | 14,4 l/min     |
| <b>Just cold</b>                    | 6,4 l/min    | 9,6 l/min    | 12,4 l/min   | 13,2 l/min     |
| <b>Just hot</b>                     | 6,4 l/min    | 9,6 l/min    | 12,4 l/min   | 13,2 l/min     |
| <b>With flow limiting system</b>    |              |              |              |                |
| <b>Flow pressure</b>                | <b>1 bar</b> | <b>2 bar</b> | <b>3 bar</b> | <b>4 bar</b>   |
| <b>Hot and cold</b>                 | 4,4 l/min    | 6 l/min      | 7,6 l/min    | 8,8 l/min      |
| <b>Just cold</b>                    | 4 l/min      | 5,6 l/min    | 7,2 l/min    | 8,4 l/min      |
| <b>Just hot</b>                     | 4 l/min      | 5,6 l/min    | 7,2 l/min    | 8,4 l/min      |

**Note:** We recommend the use of the water flow limiting system only when the flow pressure is more than 3 bars. If the pressure is less it is not necessary to use the limiting system. (See dispenser assembly on page 13).

**Low water consumption and correct effect**



**High consumption**



**Low flow**



## 1.3. Packaging

### 1.3.1. Shower palletised

| PALLETISED DIMENSIONS (mm) | VOLUME (m <sup>3</sup> ) | PACKAGES PER PALET |
|----------------------------|--------------------------|--------------------|
| <b>1200x1000x2450</b>      | <b>2,94</b>              | <b>15</b>          |

| PACKAGING DIMENSIONS (mm) | VOLUME (m <sup>3</sup> ) |
|---------------------------|--------------------------|
| <b>340x220x2190</b>       | <b>0,16</b>              |

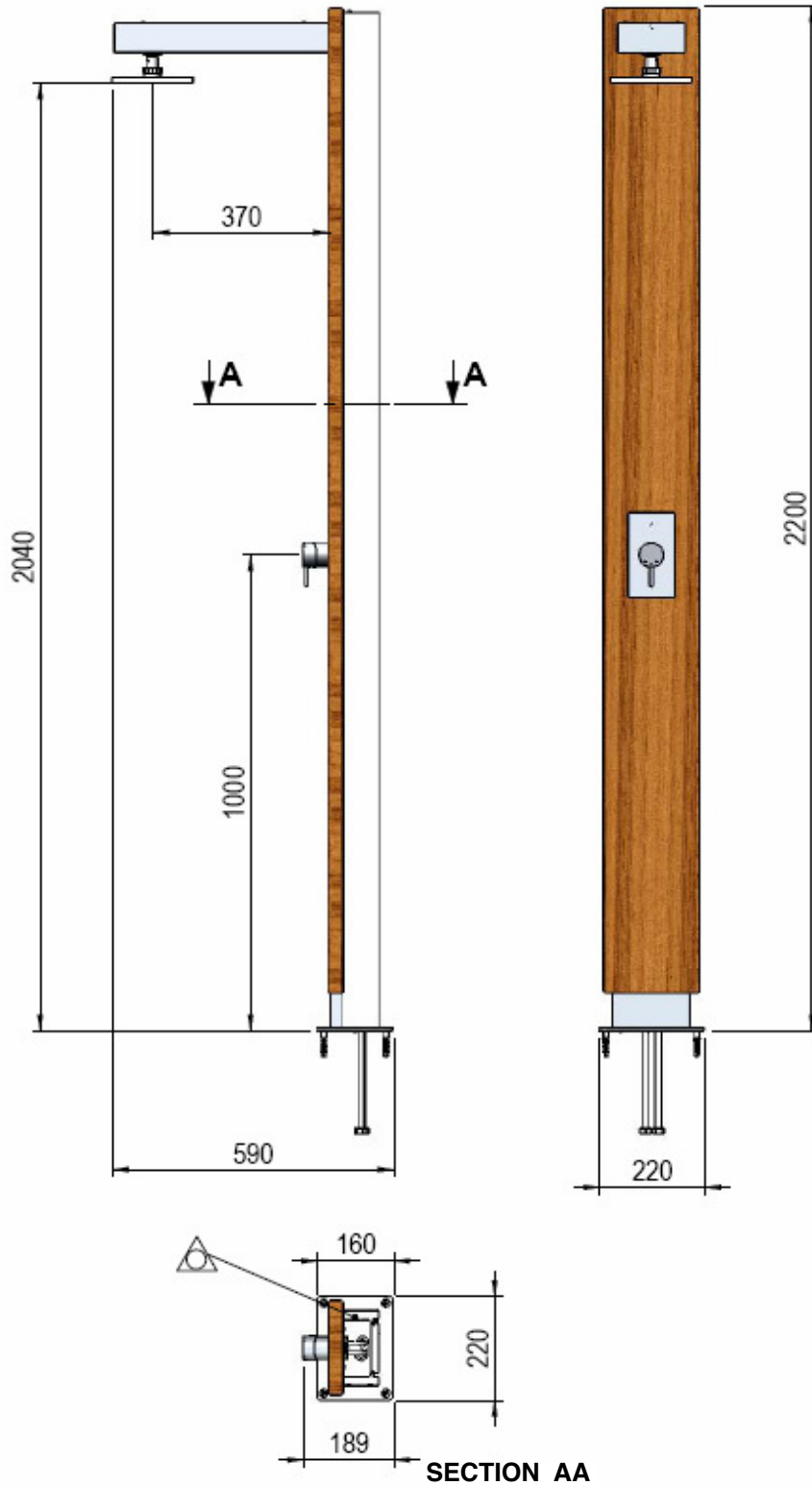
### 1.3.2. Shower tray palletised

| PALLETISED DIMENSIONS (mm) | VOLUME (m <sup>3</sup> ) | PACKAGES PER PALET |
|----------------------------|--------------------------|--------------------|
| <b>1200x800x1700</b>       | <b>0,68</b>              | <b>49</b>          |

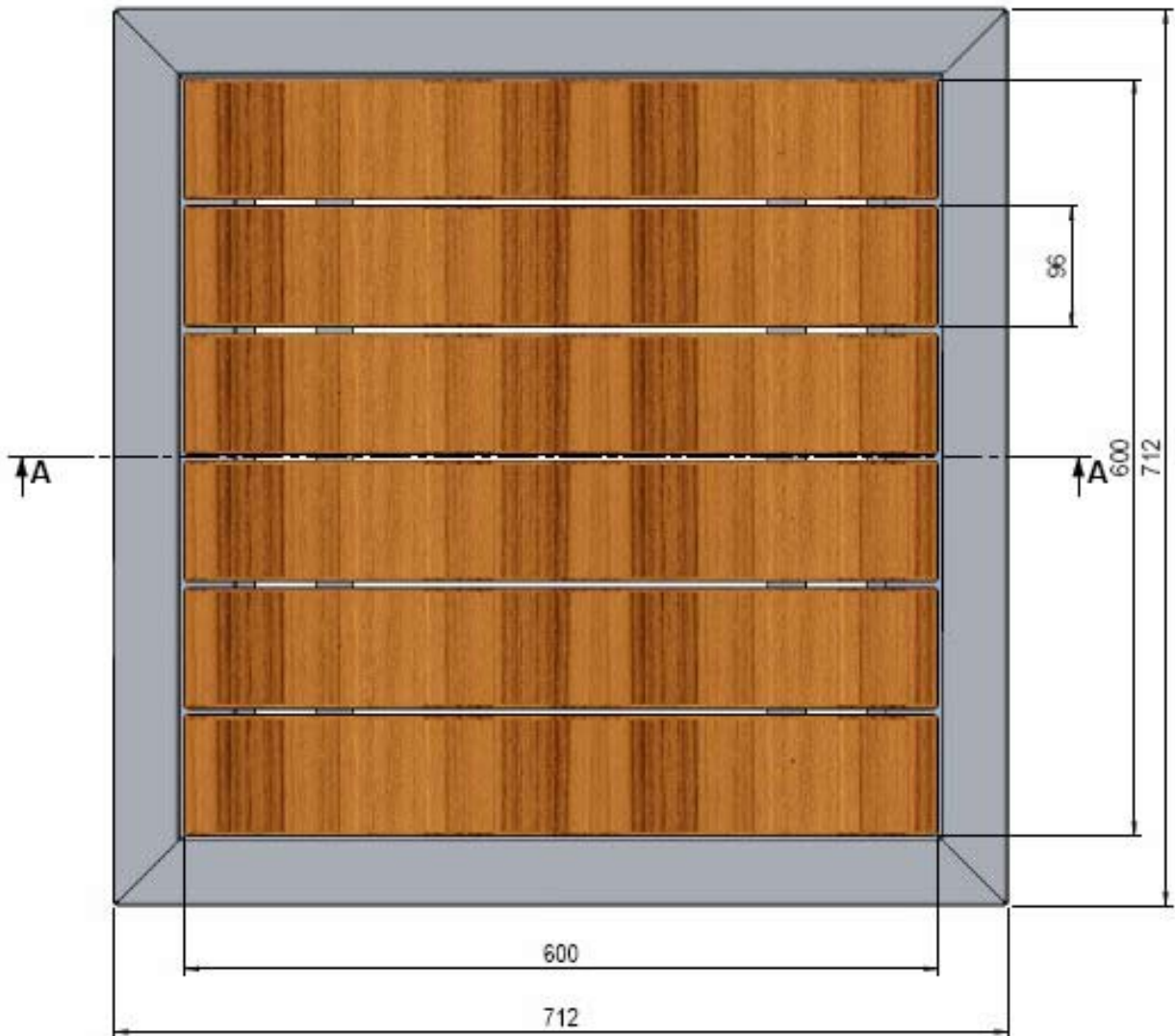
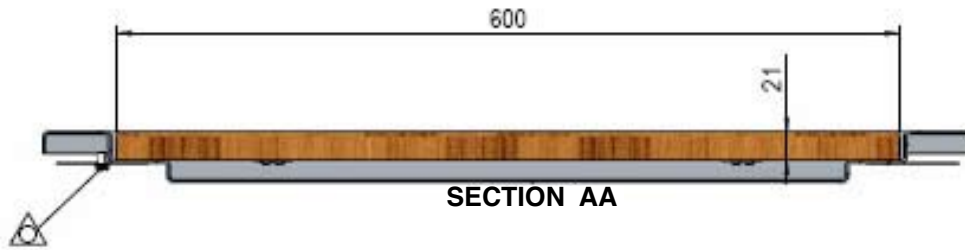
| PACKAGING DIMENSIONS (mm) | VOLUME (m <sup>3</sup> ) |
|---------------------------|--------------------------|
| <b>750x750x50</b>         | <b>0,28</b>              |

## 1.4. General Dimensions (mm)

Shower (Code 43432)

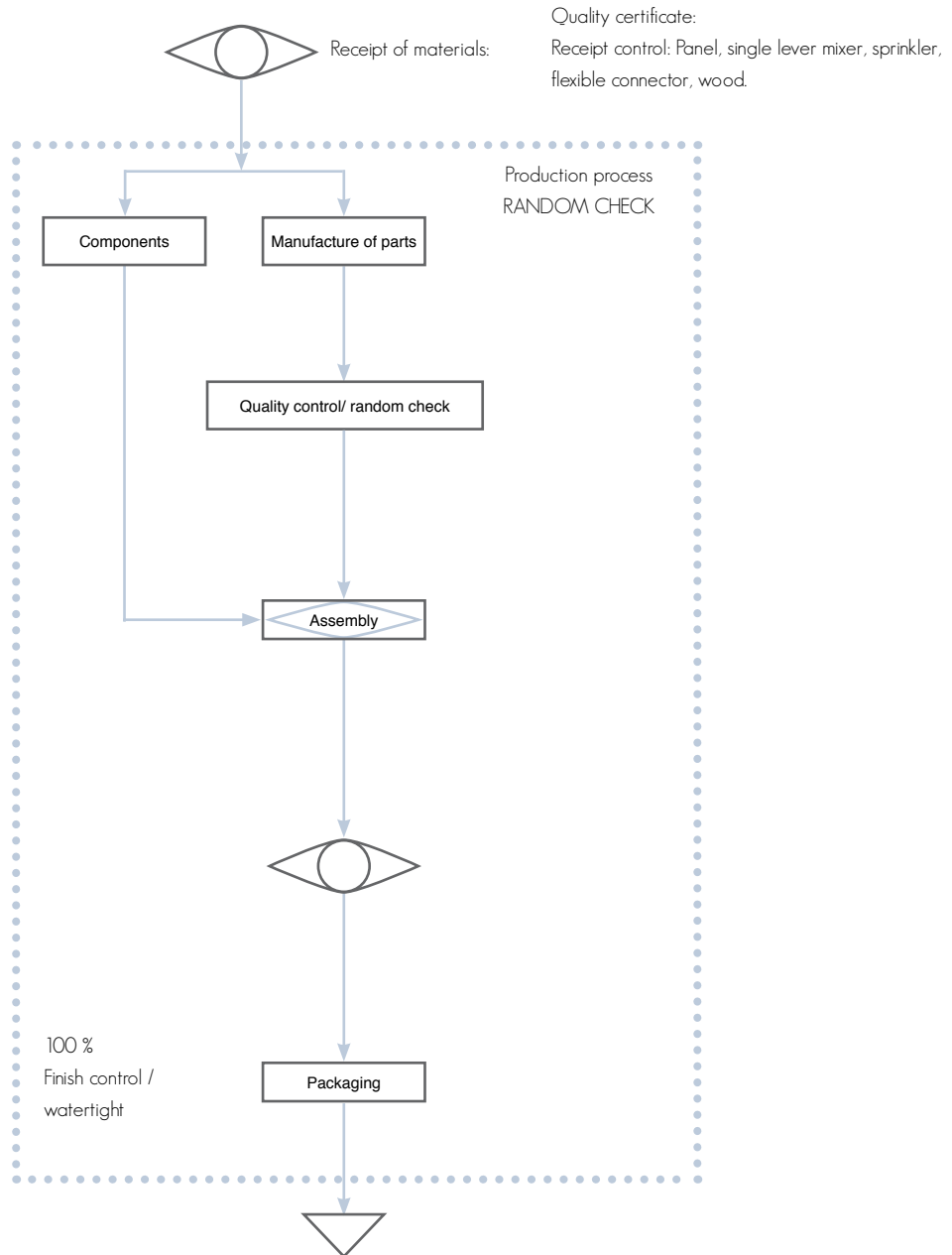






Shower tray (Code 43434)



## 2. Quality control check-list

### QUALITY CONTROL CHECKLIST



|   |                        |
|---|------------------------|
|  | Process operation      |
|  | Self-control operation |
|  | Control                |
|  | Stock                  |



**METALAST S.A.U CERTIFIES THAT:**

The PLUVIUM shower, manufactured by METALAST S.A.U. has been designed following the standards set by METALAST S.A.U..

These include:

- Control points and necessary tests to ensure the conformity of the product, in accordance with the requirements established by regulation ISO 9001:2000 in its points on:
  - Product production.
  - Product analysis and improvement.
- Every shower assembled is inspected for water tightness and a visual inspection made of its appearance.



Quality Control Manager Metalast, S.A.U.

3. Available certificates about the product, the production process and the systems implemented in the company



## 4. Warranty certificate

### 4.1. GENERAL PROVISIONS

4.1.1. In accordance with these provisions, the vendor guarantees the products that it sells against any manufacturing defect that affects its conformity or suitability for the use for which they have been designed.

4.1.2. Warranty period: three years of warranty from the date of acquisition by the user or final purchaser. The warranty includes: material and workmanship; it does NOT include: delivery costs, travel costs of repair personnel, or any other cost resulting from the actions carried out by the claim.

4.1.3. The application of the warranty will be managed through the distributor or point of sale authorised by it, at the time of detecting the defect.

4.1.4. In order to apply the warranty, the buyer should be able to prove the purchase and delivery dates of the product.

4.1.5. In order to apply the warranty, the user should have followed to the letter all the instructions on maintenance and installation of the product established by the manufacturer.

4.1.6. When more than 6 months have passed since the acquisition of the product by the buyer and there is a claim of non-conformity of the product, the latter should verify the origin and existence of the defect.

4.1.7. Parts substituted or repaired by virtue of this warranty will not extend the warranty period of the product; it will only be extended for the part in question.

4.1.8. These warranty conditions can only be modified or extended by a clause reflected in the conditions of the sales contract.

4.1.9. This warranty does not affect consumers' statutory rights.

### 4.2. LIMITS

4.2.1. The present warranty will only be applied in those sales made to consumers, with the "consumer" being understood as the person who acquires the Product for ends that do not fall within the sphere of his or her professional activity.

4.2.2. No guarantee is granted for normal wear and tear due to use of the product.

4.2.3. The wood may experience small cracks, changes in colour and warping. See the section on wood maintenance to prevent these symptoms.

4.2.4. Faults in the product caused only and exclusively by defects in materials and/or workmanship are covered by the warranty. The warranty does not cover cases in which the Product: (i) has been handled incorrectly; (ii) has been installed, repaired, maintained or manipulated by non-authorized individuals or (iii) has been repaired or maintained with non-original parts. Flaws caused by accidental or inadequate use are out of the scope of the present warranty.

4.2.5. When the non-conformity of the Product is the consequence of incorrect installation or start-up, the present warranty will only apply when this installation or start-up is included in the sales contract of the Product and has been carried out by the vendor or under its responsibility.

## 4.3 EXCLUSIONS

Excluded from the warranty are imperfections or damage caused by:

- Negligence or carelessness in installation, handling, transport and use.
- Insufficient or inappropriate maintenance of environmental conditions as well as the product or accessory.
- Total or partial modifications to the product without written authorisation from the manufacturer.
- Causes of force majeure, such as fire, frost, flooding, lightning or any other unforeseen catastrophe of any origin.
- Causes external to or beyond the scope of the product, such as storing the product outdoors or in enclosed places alongside chemical products where there may be adverse environmental conditions.
- Spillage of chemical agents or products on the product.
- Anything that, although not included in these points, can be excluded for not being attributable to the material or its manufacturing process.

## 5. Design standard and general characteristics

### **TECHNICAL CHARACTERISTICS:**

- Made in AISI-316 SATIN stainless steel.
- Ipe wood:
  - Wood for outside or wet areas
  - Density: very dense 050 Kg/cm.
  - Dimensional stability: very stable.
  - Hardness: very hard, 8.5 (Monnin).
  - Durability: very durable.
- Chrome-plated brass sprinkler:
  - Adjustable.
  - Anti-scale system.
- Chrome-plated single lever mixer valve.
- Fixing to the floor with four screws.
- Flow limiting system.

## IPE wood

Name:

Scientific: *Tabebuia* spp;  
English: Ipé;  
Lapacho.

Origin:



Description of the wood:

- **Alburnum:** Yellowish white.
- **Duramen:** Dark brown with a very characteristic greenish tone.
- **Fibre:** straight with frequent interweaving or a lot of interweaving
- **Grain:** Fine to medium.

Physical properties:

- **Apparent density from 12% humidity**  
1.050 kg/m<sup>3</sup> kg/m very heavy wood
- **Dimensional stability**
- **Volumetric contraction coefficient**  
0.41% stable wood
- **Hardness (Monnin)**  
8.5 very hard wood

Mechanical properties:

- **Static flexion resistance**  
1,750 kg/cm<sup>2</sup>
- **Elasticity module**  
200,000 kg/cm<sup>2</sup>
- **Compression resistance**  
890 kg/cm<sup>2</sup>

Durability:

Very high.

Impregnability:

Alburnum: Moderate impregnability. Duramen:  
Low impregnability.

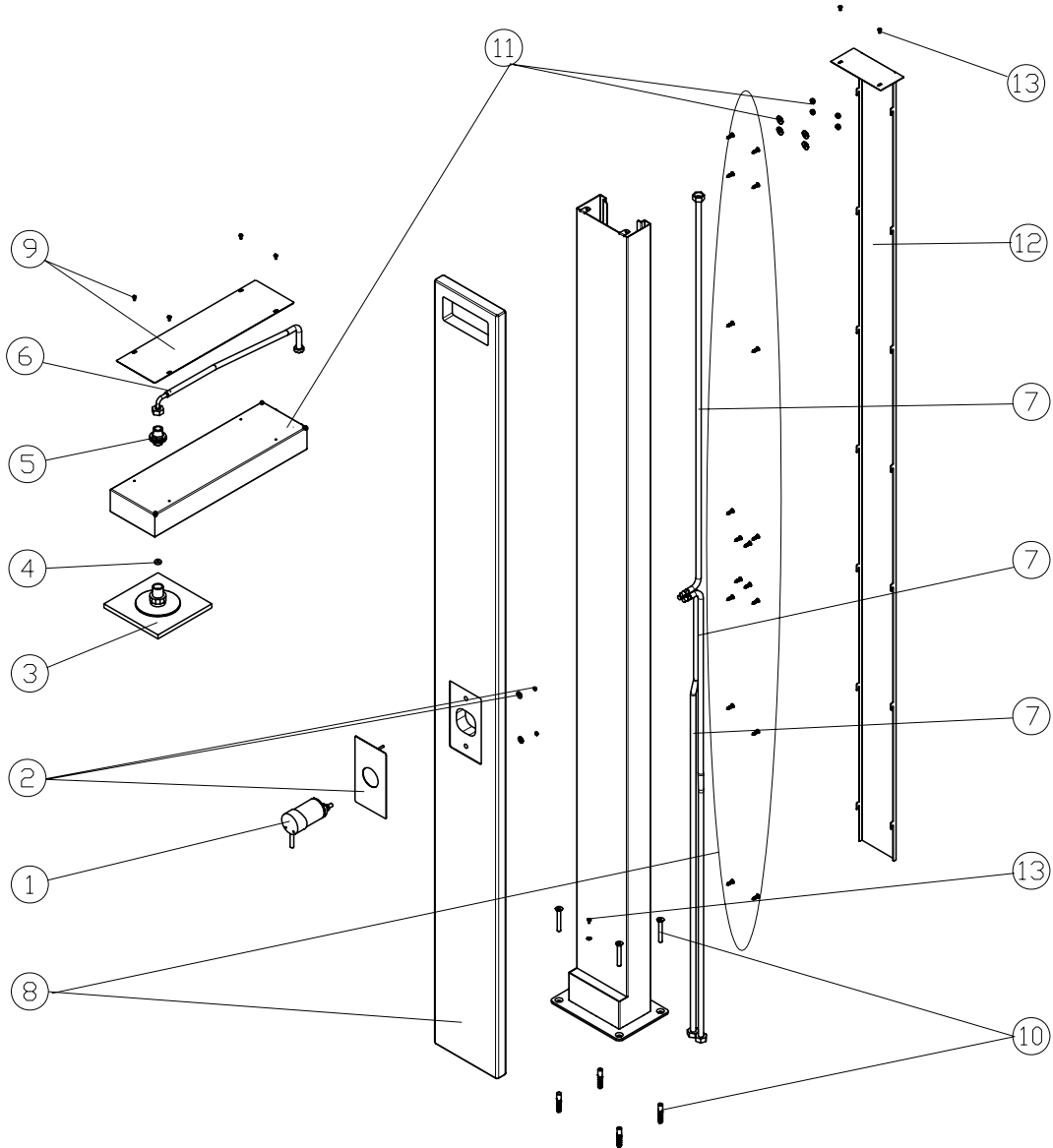
Mechanisation:

- **Sawing:** With no problems other than its hardness. Rapid blunting.
- **Drying:** Slow. Slight risk of warping and cracks.
- **Planing:** difficult because of its hardness and risk of repelling. It is recommended that you plane very slowly.
- **Gluing:** the tannins make adherence difficult.
- **Hammering and screwing:** because of its hardness, it is advisable that you make drill holes first.
- **Finish:** the rubber sediments could inhibit the adherence of varnish.

Uses:

Outdoor furniture and fine joinery.  
Outdoor joinery, doors and windows.  
Joinery to be assembled, both indoors and outdoors.

## 6. Diagram



| ID | CODE       | DESCRIPTION                | ID | CODE        | DESCRIPTION        |
|----|------------|----------------------------|----|-------------|--------------------|
| 1  | 4401043201 | SINGLE LEVER MIXER         | 8  | 4401043208  | WOOD EMBELLISHMENT |
| 2  | 4401043202 | EMBELLISHMENT              | 9  | 4401043209  | ARM LID            |
| 3  | 4401043203 | ADJUSTABLE SPRINKLER       | 10 | 4401043210  | BODY FIXATION      |
| 4  | 4401043204 | FLOW LIMITER               | 11 | 4401043211  | SHOWER ARM         |
| 5  | 4401043205 | WALL ATTACHMENT            | 12 | 43432R0200  | REAR LID           |
| 6  | 4401043206 | FLEXIBLE CONNECTOR 500 mm  | 13 | 70206R04008 | SCREW DIN-85 M 4X8 |
| 7  | 4401043207 | FLEXIBLE CONNECTOR 1100 mm |    |             |                    |

## 7. Recommendations

### 7.1. PACKAGING

The Pluvium shower is delivered in an adequately packed and sealed cardboard box, on which the positioning and stacking logistics are indicated so as to ensure correct storage of the shower.

Any failure to follow the instructions for storage could result in imperfections of the product.

### 7.2. STORAGE

Store the Pluvium shower in a place which is protected from bad weather and which does not have a very high level of humidity.

Do not keep the cardboard box in humid conditions for an extended period of time because it could cause warping at the bottom of the pallet.

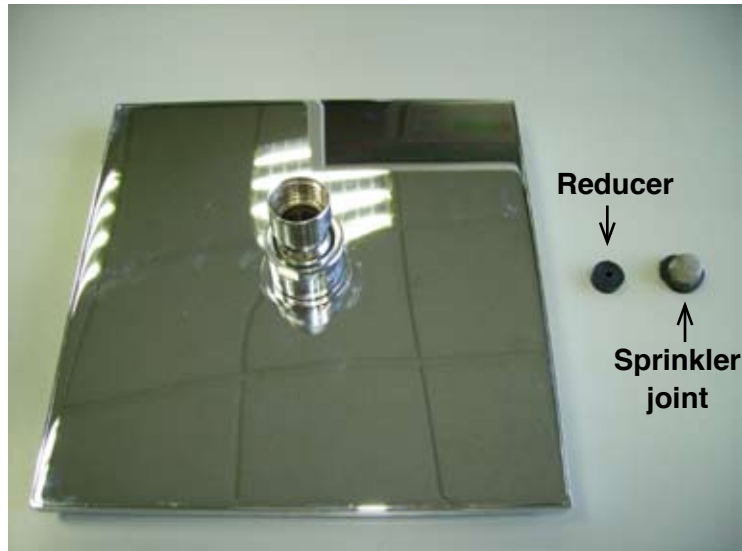
### 7.3. TRANSPORT

Transport the Pluvium shower boxes in adequately bundled pallets.

Unpack the shower once at the final destination. If this is not possible, the shower must be handled with the greatest care. Any friction, knock or contact with rough surfaces could produce imperfections on the exterior finish.

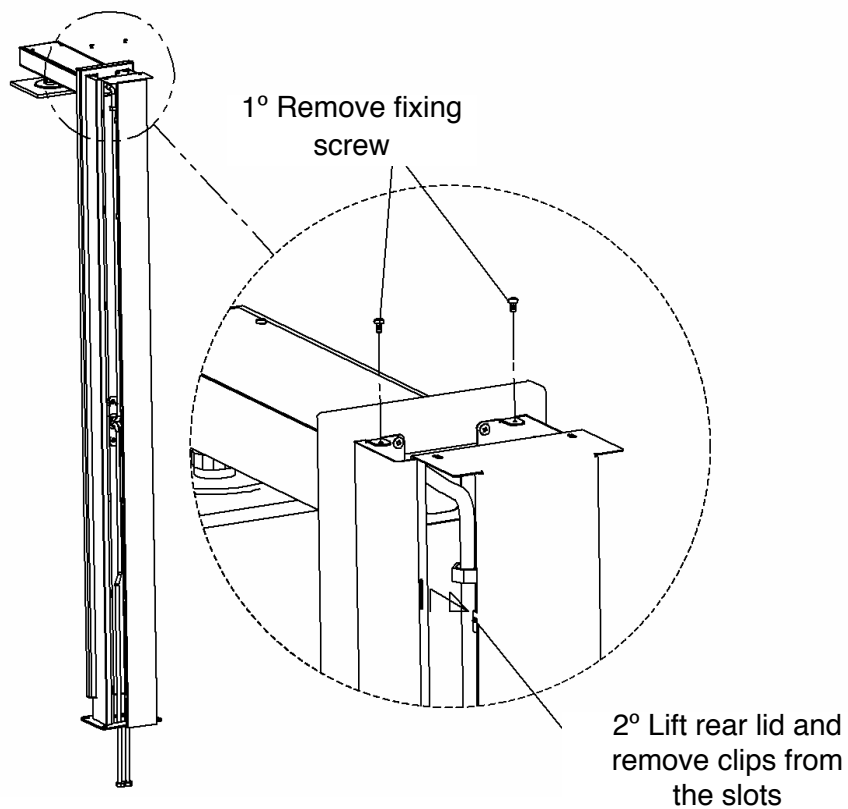


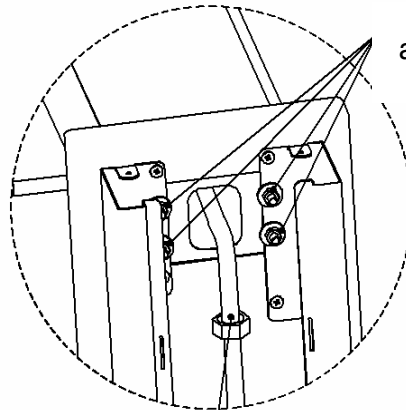
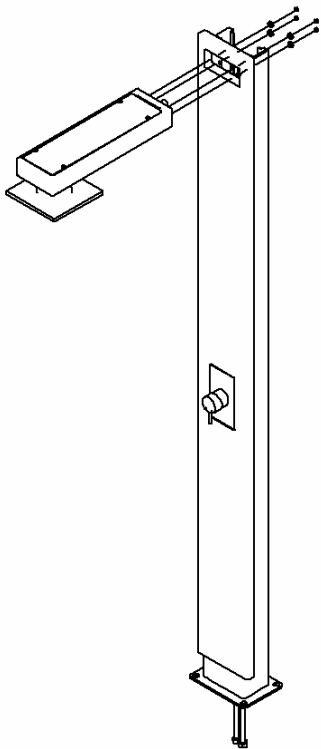
## 7.4. INSTALLATION MANUAL AND HOW TO START UP THE PRODUCT



**Sprinkler**

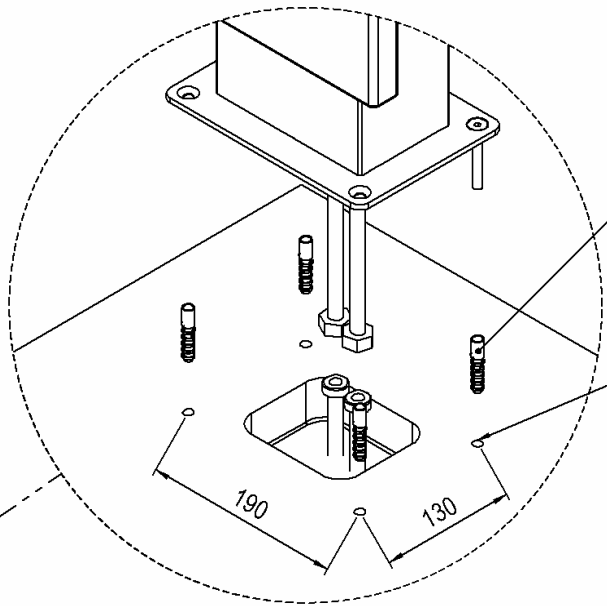
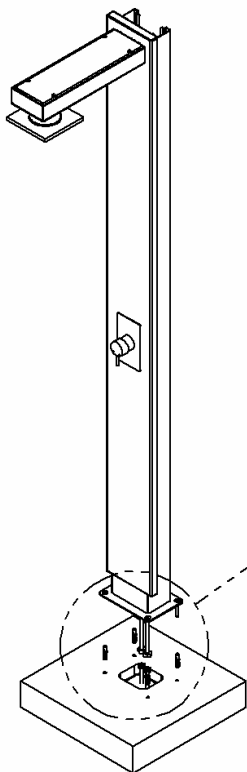
- 1- Dismantle sprinkler from the arm.
- 2 - Remove sprinkler joint.
- 3- Add flow limiter.
- 4- Replace sprinkler joint.
- 5- Screw the sprinkler unit onto the arm.





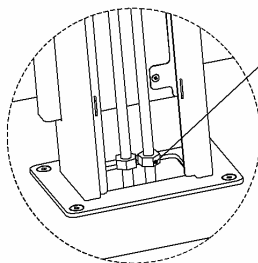
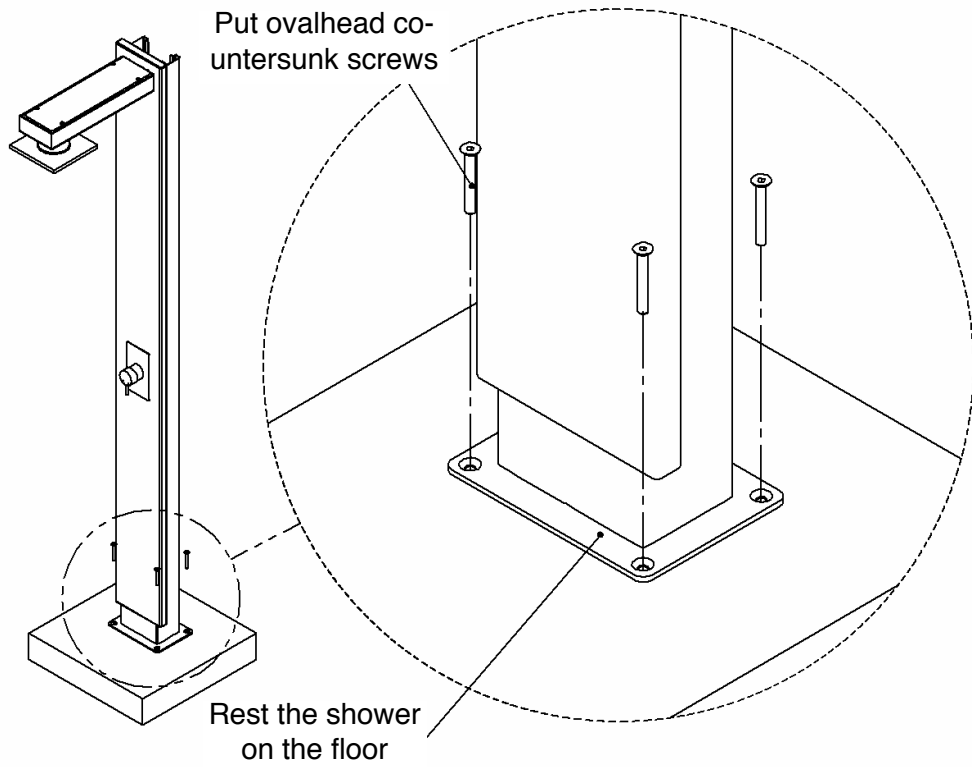
Put in the washer  
and thread the nut  
on the thread

Thread the flexible  
connector

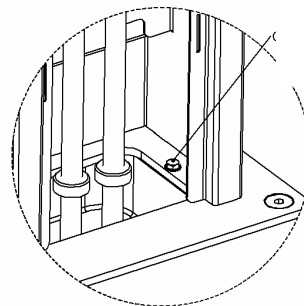


Insert Rawlplugs  
in the hole

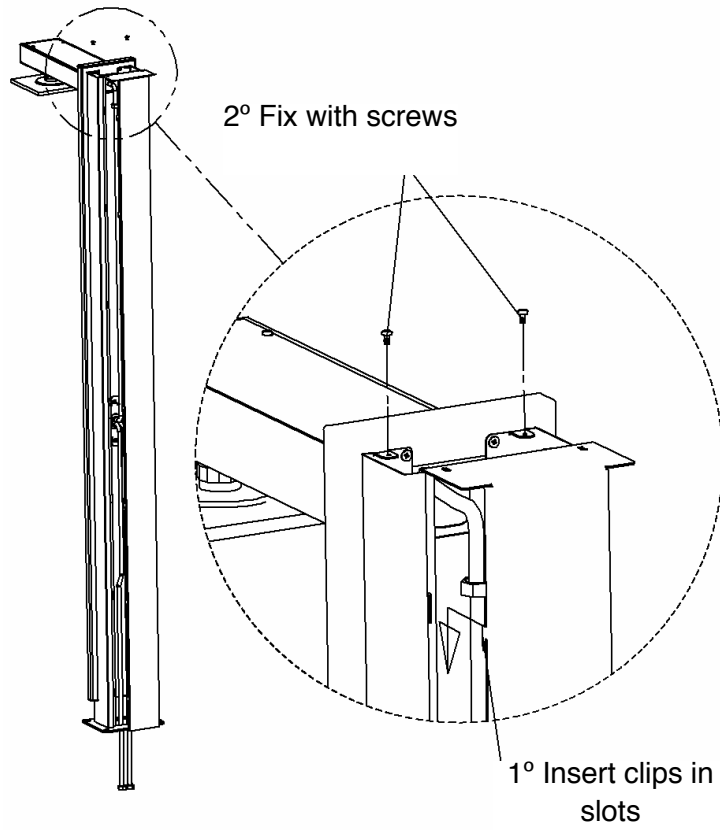
Make  $\text{Ø}10$  holes  
for Rawlplugs M08S



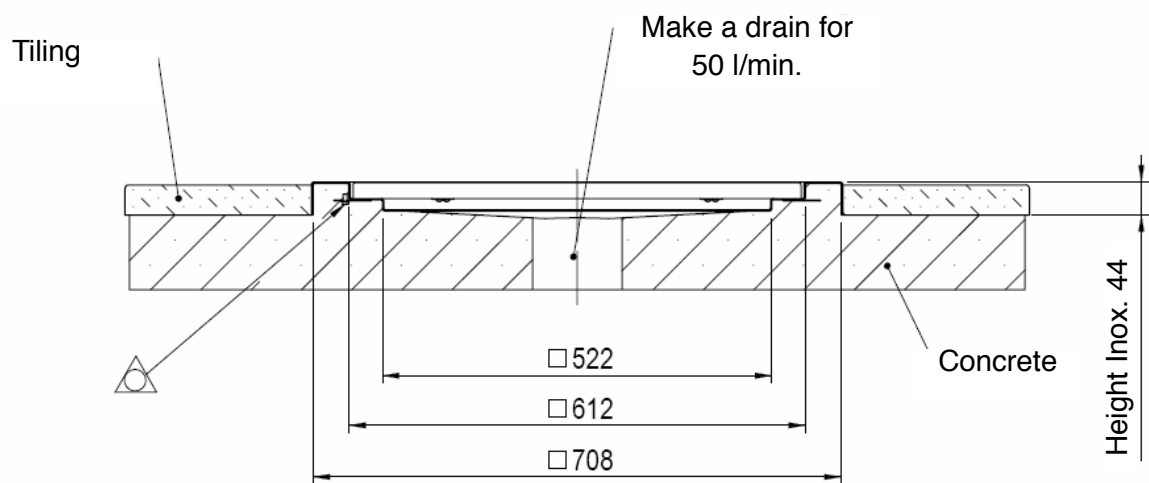
Connect shower flexible connectors with threaded floor points



Connect equipotential cable



Tray assembly



## 7.5. MAINTENANCE

Stainless Steel:

- 1.- Regular cleaning with fresh water should be carried out, or with a cleaning product for satin stainless steel, as often as is deemed appropriate.
- 2.- Manual or sudden dosages of chemical products should not be done near to the stainless steel, so as to avoid high concentrations of chemicals, and stains caused by splashes.
- 3.- Make sure that there are no deposits of dust, salt, concrete, dirt, nor contact with any other metals (mainly iron), as this will increase the corrosion process.
- 4.- In covered swimming pools there will be a larger concentration of corrosive vapours from chemical products, so it is important to clean more frequently.
- 5.- In foreseen cases, a good connection with the equipotential current of the swimming pool should be made to ensure correct insulation, lengthening the life of the product.

IPE wood:

Every 6 months, add natural oils for ipe wood which have UV filters to:

- Maintain the levels of natural protective oils in the wood.
- Regain the original qualities of the wood: colour, brightness and texture.
- Protect the wood from the ultraviolet rays of the sun.
- Protect the wood from dust and dirt.
- Ease of application and maintenance.

## 8. Table of errors

| PROBLEM                  | SOLUTION   |
|--------------------------|--|
| Water doesn't come out   | 1° Make sure that it is connected to the water supply.<br>2° Check the water supply valve    |
| The shower moves         | Check the shower anchors   |
| The arm moves            | Check the anchor between the arm and the body  |
| Leak between connections | 1° Check that there is a joint on the connections.<br>2° Check tightness in the connections. |
| Low flow level           | Revise the flow table and limiter use  |

## 9. Table “DOs AND DON'Ts”

|                       | DO   | DON'T   |
|-----------------------|--|---|
| Transport and storage | <p>Check the packing and compliance with the stacking indications.</p> <p>Always transport the shower in its box</p> | <p>Leave the box outside or in damp spaces.</p> <p>Drag the shower.</p>   |
| Installation          | <p>Install on a totally flat surface.</p> <p>The work pressure will be 5 bars.</p>                                   | <p>Connect the shower directly to a water supply with pressures of more than 5 bars.</p>  |
| Start-up              | <p>Follow the instructions in the shower installation manual.</p>  | <p>Connect the shower supply in the opposite way to that indicated in the manual.</p>   |
| Maintenance           | <p>Regularly clean the stainless steel.</p> <p>Apply natural oil with UV filter every 6 months.</p>                  | <p>Exceed the maximum pressure of the shower.</p> <p>Use chemical products in high concentration as it may damage the components of the shower.</p> |

We reserve the right to totally or partially change the characteristics of our articles or the contents of this document without prior notice.