

New accessories

VICTORIA PLUS SILENT



2" GAS with internal and external trapezoidal thread.
*Accessories not supplied.

► Victoria Plus Silent has a dual thread connection:

1. **Outer thread the same as the Victoria Plus pump.** This makes the pump easy to replace as the same end fittings from a Victoria pump can be used. Should any additional fittings be required, use the following codes: 68188 (1/2 - 3/4 - 1 CV), 67655 (1 1/2 - 2 CV), 67655 + 68189 (3 CV).

2. **Standard 2" BSP internal thread (GAS)**
Standard end fittings in the market: 2 x 09033 (1/2 - 3/4 - 1 CV), 1 x 02358 + 1 x 02352 + 1 x 02092 (1 1/2 - 2 CV), 1 x 02358 + 1 x 02352 + 1 x 02092 + 1 x 68189 (3 CV).

• Why aren't the end fittings for the Victoria Plus Silent pump included?

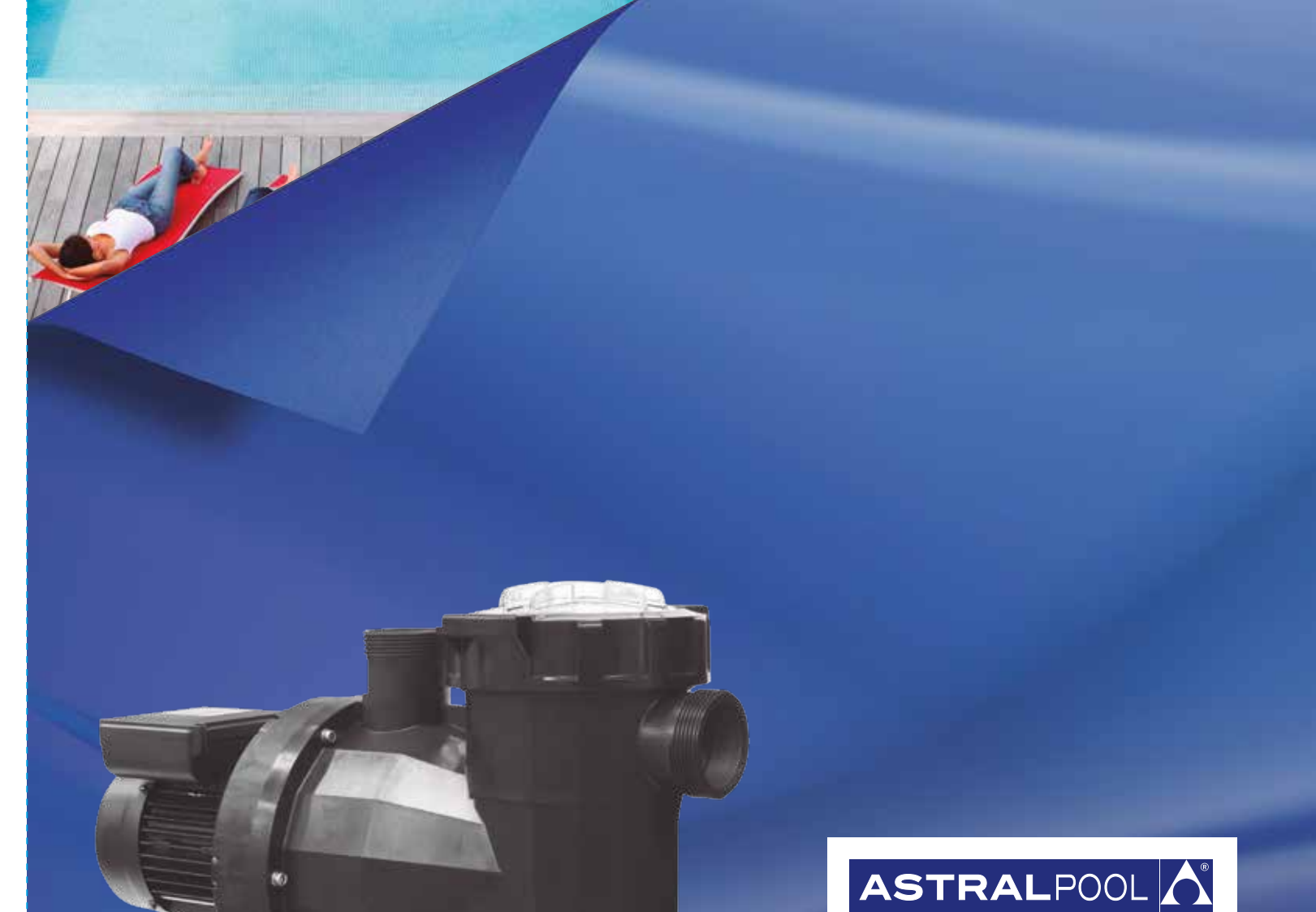
- A high proportion of replacement pumps sold do not need them.
- The pump is compatible with standard end fittings found in the market.

CODE	MOTOR	
	HP	VOLTAGE V
65557	1/2	230
65558		230 - 400
65560	3/4	230
65561		230 - 400
65562	1	230
65563		230 - 400
65564	1 1/2	230
65565		230 - 400
65566	2	230
65567		230 - 400
65569	3	230
65570		230 - 400

VICTORIA PLUS SILENT (HP)	EXTERNAL THREAD CONNECTION THE SAME AS THE VICTORIA PLUS PUMP	STANDARD 2" BSP INTERNAL THREAD CONNECTION (GAS)
1/2 - 3/4 - 1 (CV)	68188	2 x 09033
1 1/2 - 2 (CV)	67655	1 x 02358 1 x 02352 1 x 02092
3 (CV)	67655 + 68189	1 x 02358 1 x 02352 1 x 02092 1 x 68189



www.astralpool.com



Why the Victoria Plus Silent?

The new generation of filtration pumps

- It has enhanced the performance of the top-selling filtration pump in the market.
- It has made a product available that is closer in line with real market needs (VAVE methodology).

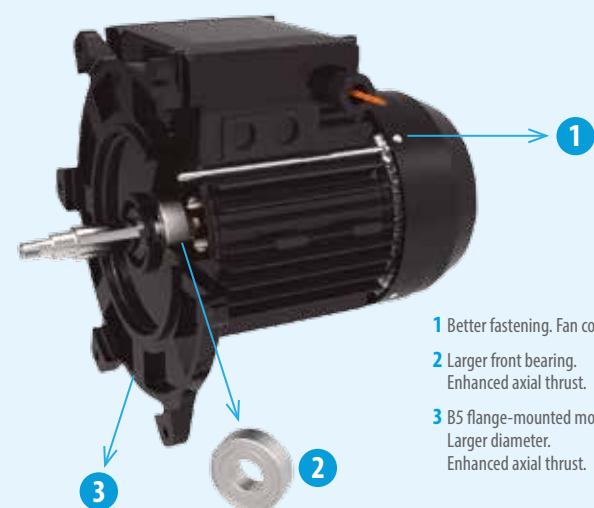
VICTORIA PLUS SILENT

Technical improvements to the product

Victoria Plus Silent

Greatly improved quality of motor

The motors that are supplied with the pump have an IP-55 protection rating and are designed to withstand hot climates and high levels of humidity.



- 1 Better fastening. Fan cover.
- 2 Larger front bearing. Enhanced axial thrust.
- 3 B5 flange-mounted motor. Larger diameter. Enhanced axial thrust.

Lower sound level

It is much more silent than the current model, as our engineers have managed to reduce its sound level thanks to a direct water outlet. Between 61 dBA–70 dBA (vs 70 dBA–75 dBA).

The new Victoria Plus with direct water outlet



SILENT
Sound level below 70dBA.

NEW VICTORIA PLUS			
CODE	POWER	VOLTAGE	S. LEVEL
	CV/HP	V	dBA
65557	1/2 CV II	230V	61
65558	1/2 CV III	230/400V	
65560	3/4 CV II	230V	
65561	3/4 CV III	230/400V	
65562	1 CV II	230V	66
65563	1 CV III	230/400V	
65564	1,5 CV II	230V	
65565	1,5 CV III	230/400V	
65566	2 CV II	230V	
65567	2 CV III	230/400V	
65570	3 CV III	230/400V	70
65569	3 CV II	230V	

Easy to use

It is extremely easy to use. It has a nut with two levers so that the prefilter can be opened without a key.



Compatibility

It is totally compatible with the previous Victoria Plus model.



La nueva generación de bombas de filtración

EQUIVALENT CODES		
POWER	VICTORIA PLUS	VICTORIA PLUS SILENT
1/2 CV II	38769	65557
1/2 CV III	38770	65558
3/4 CV II	38771	65560
3/4 CV III	38772	65561
1 CV II	38773	65562
1 CV III	38774	65563
1,5 CV II	38775	65564
1,5 CV III	38776	65565
2 CV II	38777	65566
2 CV III	38778	65567
3 CV II	38779	65569
3 CV III	38780	65570

Victoria Plus



The current Victoria Plus without a direct water outlet

VICTORIA PLUS			
CODE	POWER	VOLTAGE	S. LEVEL
	CV/HP	V	dBA
38769	1/2 CV II	230V	70
38770	1/2 CV III	230/400V	
38771	3/4 CV II	230V	
38772	3/4 CV III	230/400V	
38773	1 CV II	230V	75
38774	1 CV III	230/400V	
38775	1,5 CV II	230V	
38776	1,5 CV III	230/400V	
38777	2 CV II	230V	
38778	2 CV III	230/400V	
38780	3 CV III	230/400V	75
38779	3 CV II	230V	

The filter of the current Victoria Plus can only be opened using a key

