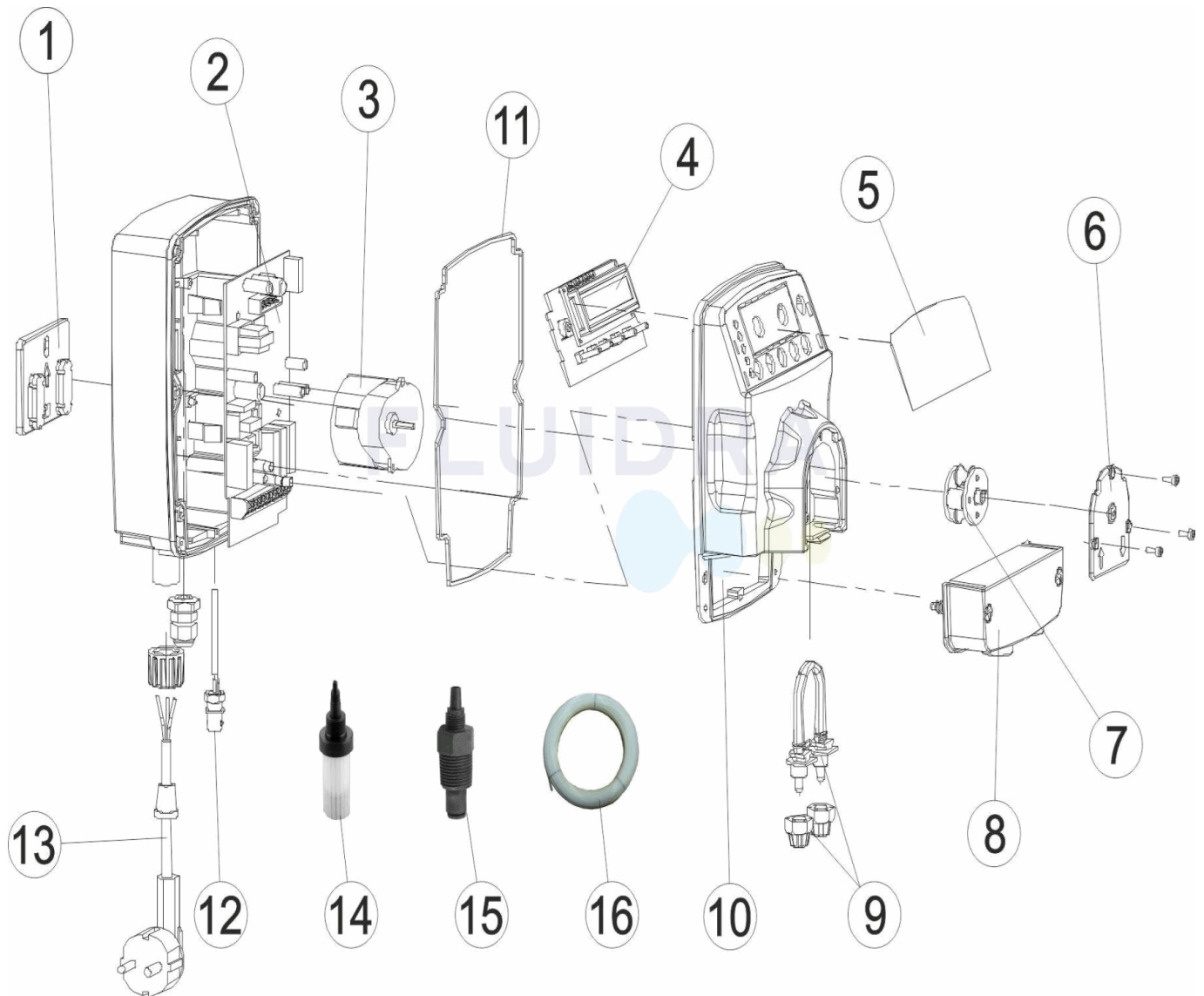


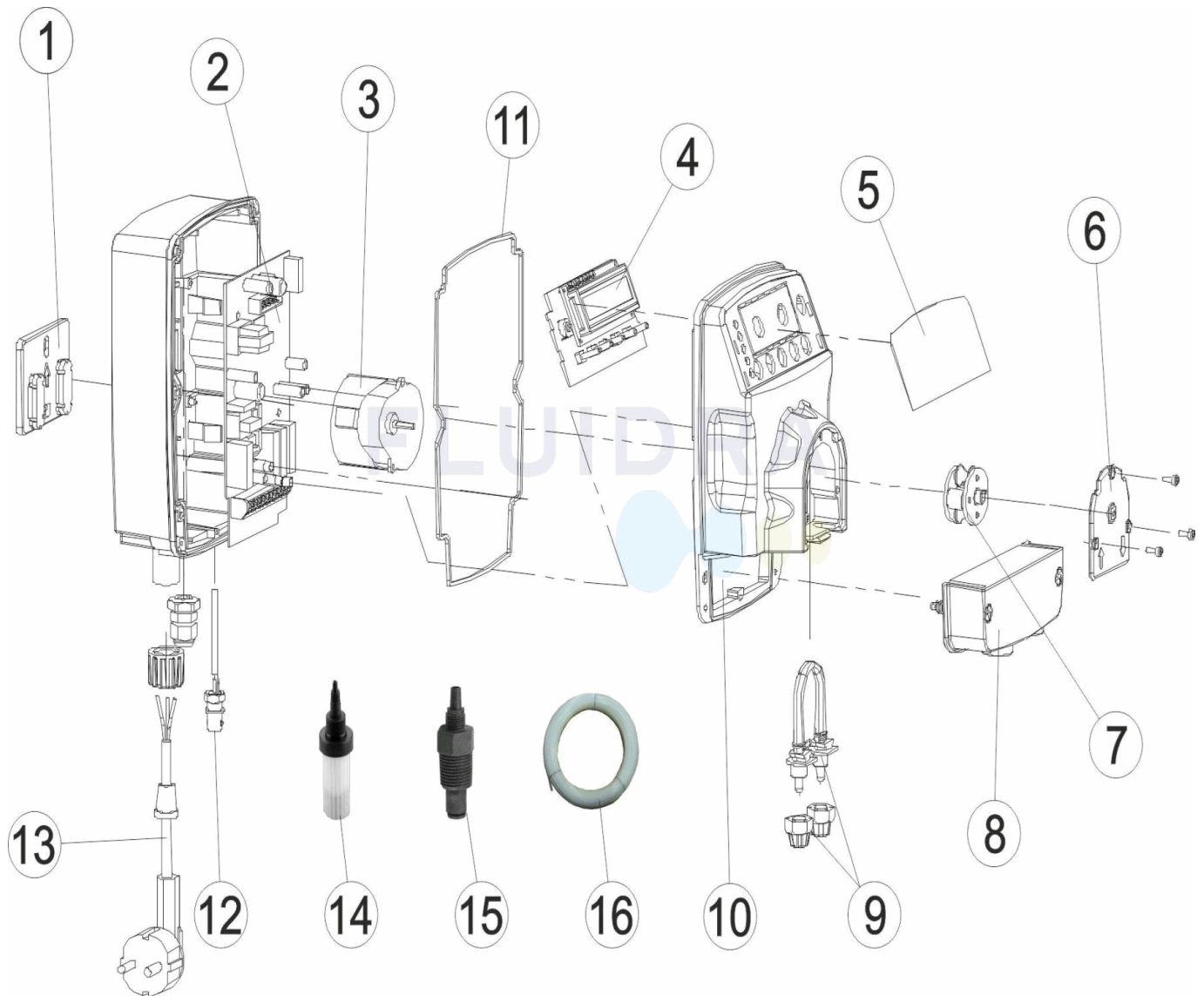
CODIGO **57151**

 DESCRIPCION: **BOMBA DOSIFICADORA MYPPOOL**

ESPAÑOL

POS	CODIGO	DESCRIPCION	POS	CODIGO	DESCRIPCION
1	CE08030000	SOPORTE PARED	9	CE08030008	TUBO PERISTALTICO SANTOPRENO 4X7 CM11.0 SA
2	CE08030001	PLACA ELECTRONICA CONTROL	10	CE08030009	TAPA BOMBA
3	CE08030002	MOTOR PERISTALTICA	11	CE08030010	JUNTA TAPA
4	CE08030003	PACA ELECTRONICA VISUALIZADORA	12	CE08030011	CONECTOR HEMBRA BCN
5	CE08030004	SERIGRAFIA BOMBA	13	CE08031221	CABLE ALIMENTACION
6	CE08030005	TAPA FRONTAL	14	CE08030123	FILTRO ASPIRACION COMPLETO
7	CE08030058	ROTOR COMPLETO 2 L/H.	15	CE08030121	VALVULA INYECCION COMPLETA
8	CE08030007	TAPA CONEXION BOMBA	16	CE08030122	TUBO ASPIRACION/IMPULSION

CODE 57151

DESCRIPTION: POMPE DOSEUSE MYPOOL

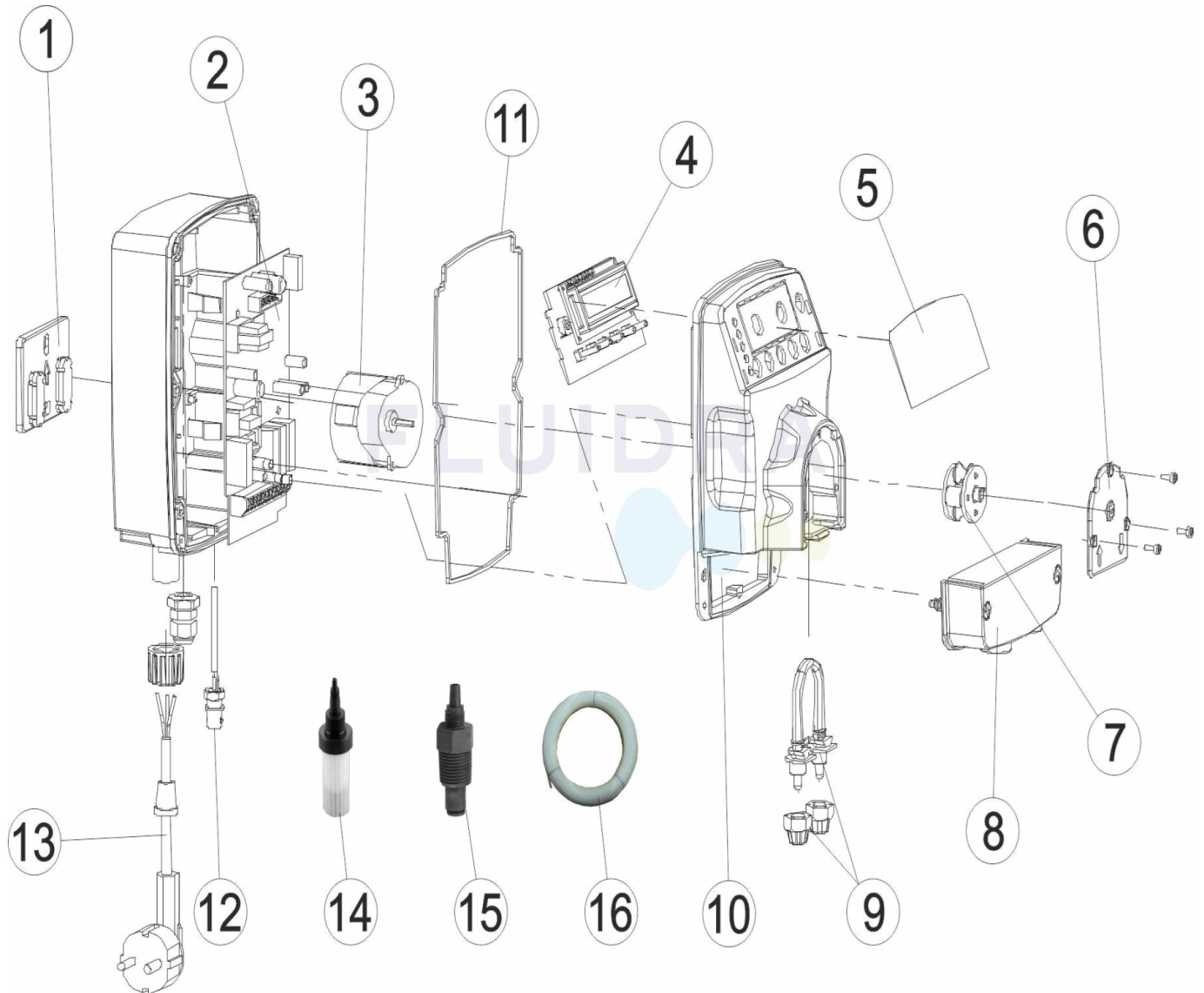


FRANCAIS

POS	CODE	DESCRIPTION	POS	CODE	DESCRIPTION
1	CE08030000	SUPPORT MURAL	9	CE08030008	TUBE SANTOPRENE 4X7 CM11.0 SAN
2	CE08030001	PLAQUE ÉLECTRONIQUE CONTRÔLE	10	CE08030009	CACHE POMPE
3	CE08030002	MOTEUR PÉRISTALTIQUE	11	CE08030010	JOINT DE COUVERCLE
4	CE08030003	PLAQUE ÉLECTRONIQUE DE VISUALISATION	12	CE08030011	CONNECTEUR
5	CE08030004	SÉRIGRAPHIE POMPE	13	CE08031221	CABLE ALIMENTATION
6	CE08030005	COUVERCLE FRONTAL	14	CE08030123	FILTRE ASPIRATION COMPLETE
7	CE08030058	ROTEUR COMPLET 2 L/H.	15	CE08030121	VANNE INJECTION COMPLETE
8	CE08030007	CACHE CONNEXION POMPE	16	CE08030122	TUBE ASPIRATION/IMPULSION

CODE 57151

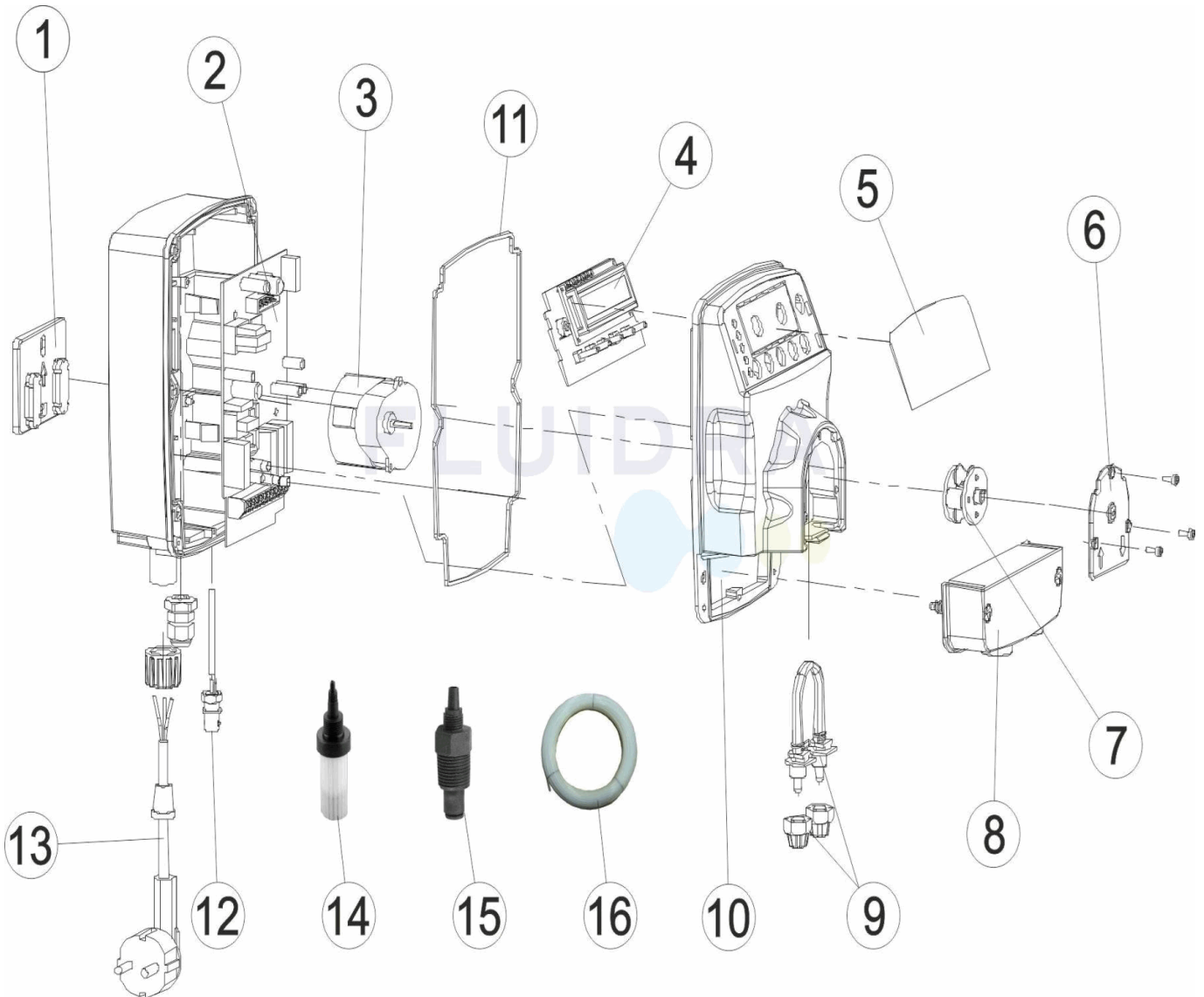
DESCRIPTION: DOSING PUMP MYPPOOL



ENGLISH

POS	CODE	DESCRIPTION	POS	CODE	DESCRIPTION
1	CE08030000	WALL BRACKET	9	CE08030008	SANTOPRENE TUBE 4X7 CM11.0 SAN
2	CE08030001	ELECTRONIC CONTROL PLATE	10	CE08030009	PUMP COVER
3	CE08030002	PERISTALTIC MOTOR	11	CE08030010	LID GASKET
4	CE08030003	ELECTRONIC VIEWING PLATE	12	CE08030011	CONNECTOR
5	CE08030004	PUMP LABEL	13	CE08031221	SUPPLY CABLE
6	CE08030005	FRONT COVER	14	CE08030123	FILTER ASSEMBLY
7	CE08030058	ROTOR ASSEMBLY 2 L/H.	15	CE08030121	INJECTOR VALVE ASSEMBLY
8	CE08030007	PUMP CONNECTION COVER	16	CE08030122	SUCTION/RETURN TUBE

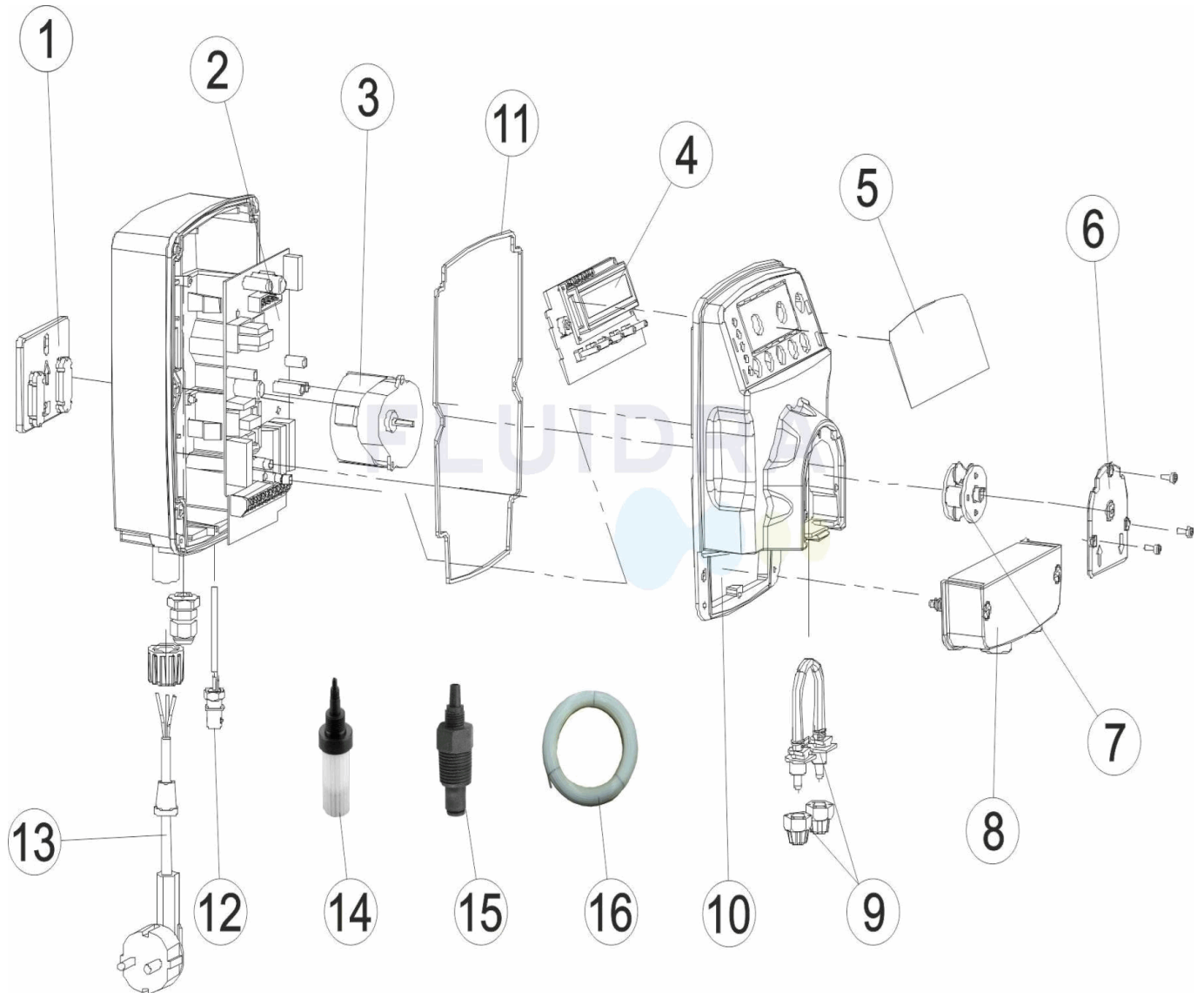
CODICE **57151**

 DESCRIZIONE: **POMPA DOSIFICATRICE MYPPOOL**

ITALIANO

POS	CODICE	DESCRIZIONE	POS	CODICE	DESCRIZIONE
1	CE08030000	SUPPORTO PARETE	9	CE08030008	TUBO SANTOPRENE 4X7 CM11.0 SAN
2	CE08030001	SCHEDA ELETTRONICA CONTROLLO	10	CE08030009	COPERCHIO POMPA
3	CE08030002	MOTORE PERISTALTICA	11	CE08030010	GUARNIZIONE COPERCHIO
4	CE08030003	SCHEDA ELETTRONICA VISUALIZZATRICE	12	CE08030011	CONNECTOR
5	CE08030004	SERIGRAFIA POMPA	13	CE08031221	CAVO DI ALIMENTAZIONE
6	CE08030005	COPERCHIO FRONTALE	14	CE08030123	FILTRO ASPIRAZIONE COMPLETO
7	CE08030058	ROTORE COMPLETO 2 L/H.	15	CE08030121	VALVOLA INIEZIONE COMPLETA
8	CE08030007	COPERCHIO CONNESSIONE POMPA	16	CE08030122	TUBO DI ASPIRAZIONE/ MANDATA

CODE 57151

BESCHREIBUNG: DOSIERPUMPE MYPOOL

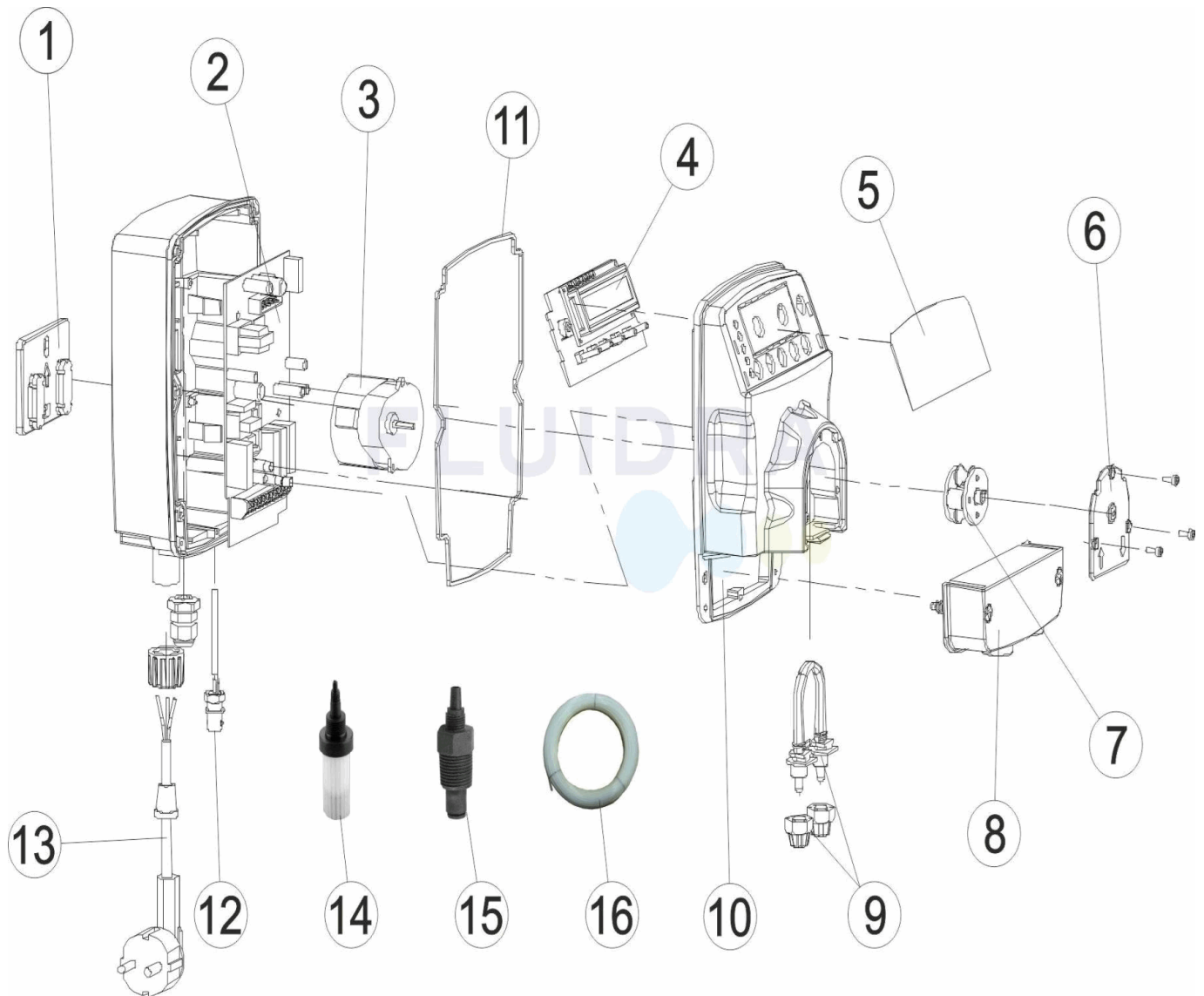


DEUTSCH

POS	CODE	BESCHREIBUNG	POS	CODE	BESCHREIBUNG
1	CE08030000	WANDHALTERUNG	9	CE08030008	SANTOPRENSCHLAUCH 4X7 CM11.0 SAN
2	CE08030001	ELEKTRONISCHE STEUERUNGSPLATINE	10	CE08030009	DECKEL PUMPE
3	CE08030002	PERESTALTISCHER MOTOR	11	CE08030010	DECKELDICHUNG
4	CE08030003	ELEKTRONISCHES ANZEIGEDISPLAY	12	CE08030011	ANSCHLUSS INNENGEWINDE BCN
5	CE08030004	SIEBDRUCK PUMPE	13	CE08031221	KABEL DOSIERPUMPE
6	CE08030005	FRONTALDECKEL	14	CE08030123	SAUG-FILTER KOMPLETT
7	CE08030058	KOMPLETTER ROTOR 2 L/H.	15	CE08030121	IMPFVENTIL KOMPLETT
8	CE08030007	VERBINDUNGSDECKEL PUMPE	16	CE08030122	P/N-SCHLAUCH DOSIERPUMPE

CODIGO 57151

DESCRIÇÃO: BOMBA DOSEADORA MYPPOOL


PORTUGUES

POS	CODIGO	DESCRIÇÃO	POS	CODIGO	DESCRIÇÃO
1	CE08030000	SUPORTE PAREDE	9	CE08030008	TUBO DE SANTOPRENE 4X7 CM11.0 SAN
2	CE08030001	PLACA ELETRÓNICA CONTROLO	10	CE08030009	TAMPA BOMBA
3	CE08030002	MOTOR PERISTÁLTICA	11	CE08030010	JUNTA TAMPA
4	CE08030003	PLACA ELETRÓNICA VISUALIZADORA	12	CE08030011	LIGAÇÃO FÊMEA BCN.
5	CE08030004	SERIGRAFIA BOMBA	13	CE08031221	CABO ALIMENTAÇÃO
6	CE08030005	TAMPA FRONTAL	14	CE08030123	FILTRO ASPIRAÇÃO COMPLETO
7	CE08030058	ROTOR COMPLETO 2 L/H.	15	CE08030121	INJECTOR COMPLETO
8	CE08030007	TAMPA LIGAÇÃO BOMBA	16	CE08030122	TUBO ASPIRAÇÃO/IMPULSÃO