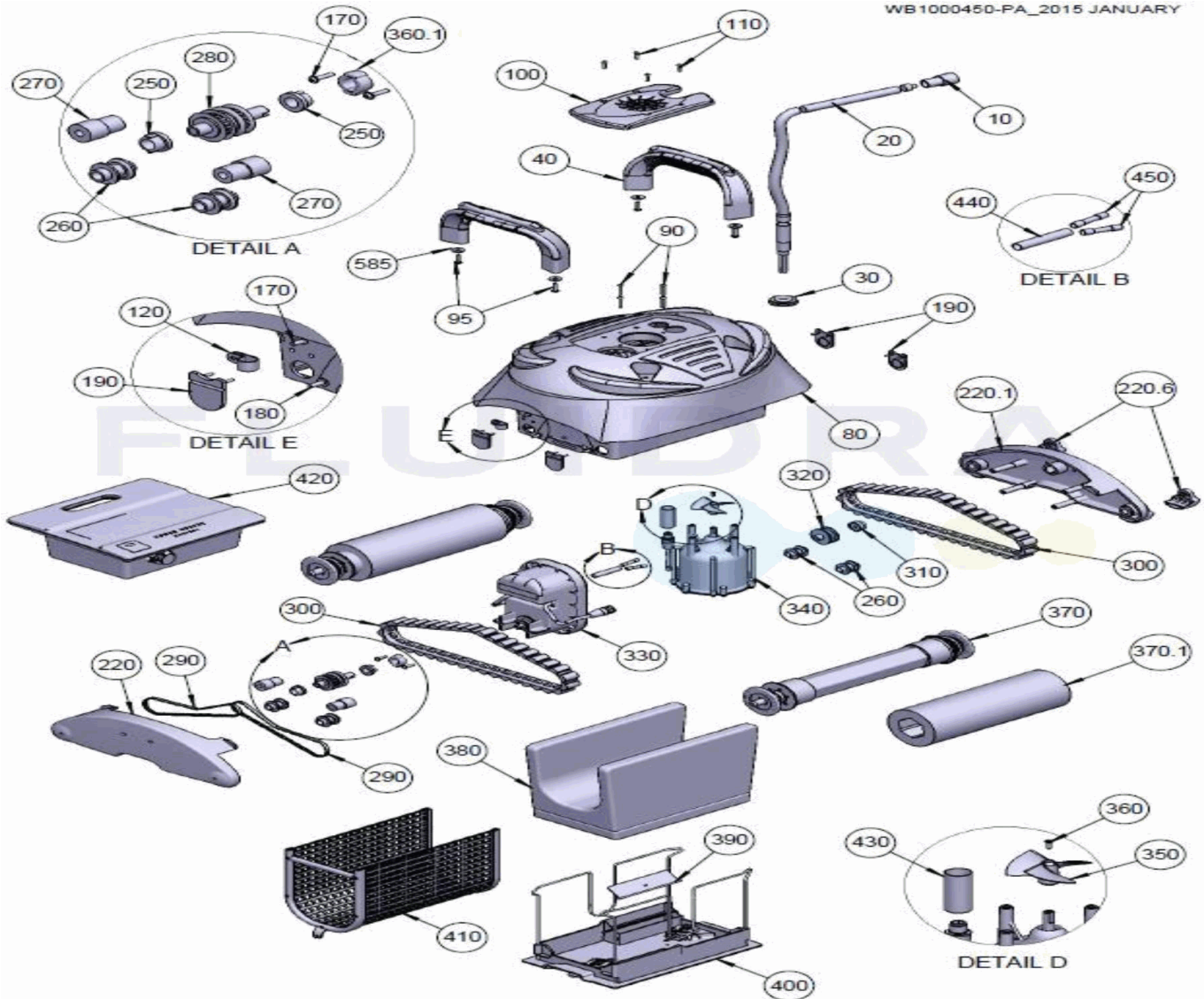


CODIGO **66019**

DESCRIPCION: **LIMPIAFONDOS CTX TYPHOON 4**

REFH-SUM0-TY413 (2016)

WB1000450-PA_2015 JANUARY



ESPAÑOL

POS	CODIGO	DESCRIPCION	POS	CODIGO	DESCRIPCION
10	PL00002M	ENCHUFE 4 TERMINALES	220,6	PP00213GY	TACO TAPA LATERAL
20	WA00116CGL	CABLE FLOTADOR CG/16M/2C	250	2613	RODAMIENTO DE EJES
40	AS1041000	ASA CUERPO SUMSUM AMARILLO	260	3500	RODILLO PEQUEÑO
80	AS1006900A	CUERPO LIMPIAFONDOS	270	3506	TENSOR CORREAS DE TRACCION
90	2500	TORNILLO PARA MOTOR BOMBA	280	A3605	CONJUNTO POLEA
95	HW0003100	TORNILLO PARA ASA	290	3302	CORREA DE TRACCION
100	PP00042BL	TAPA SUPERIOR	300	3201G	CORREA ORUGA
110	5061	TORNILLO DE TAPA SUPERIOR	310	2610	ARANDELA CENTRAL
120	HW0006700	SUJECION CABLE	320	3700	RODILLO GRANDE
170	2700	TORNILLO SUPERIOR LATERAL	330	AS08716-SP	MOTOR DE TRACCIÓN
180	2701	TORNILLO INFERIOR LATERAL	340	AS00035R-SP	MOTOR DE BOMBEO
190	2305N	VALVULA DE GOMA	350	P00038	HELICE
220	AS1062300	TAPA LATERAL	360	SW00069	TORNILLO PARA HELICE
220,1	AS10623B1	TAPA LATERAL SUMSUM	360,1	PP0004500	CUBIERTA DEL PASADOR

CODIGO **66019**

DESCRIPCION: **LIMPIAFONDOS CTX TYPHOON 4**

REFH-SUM0-TY413 (2016)

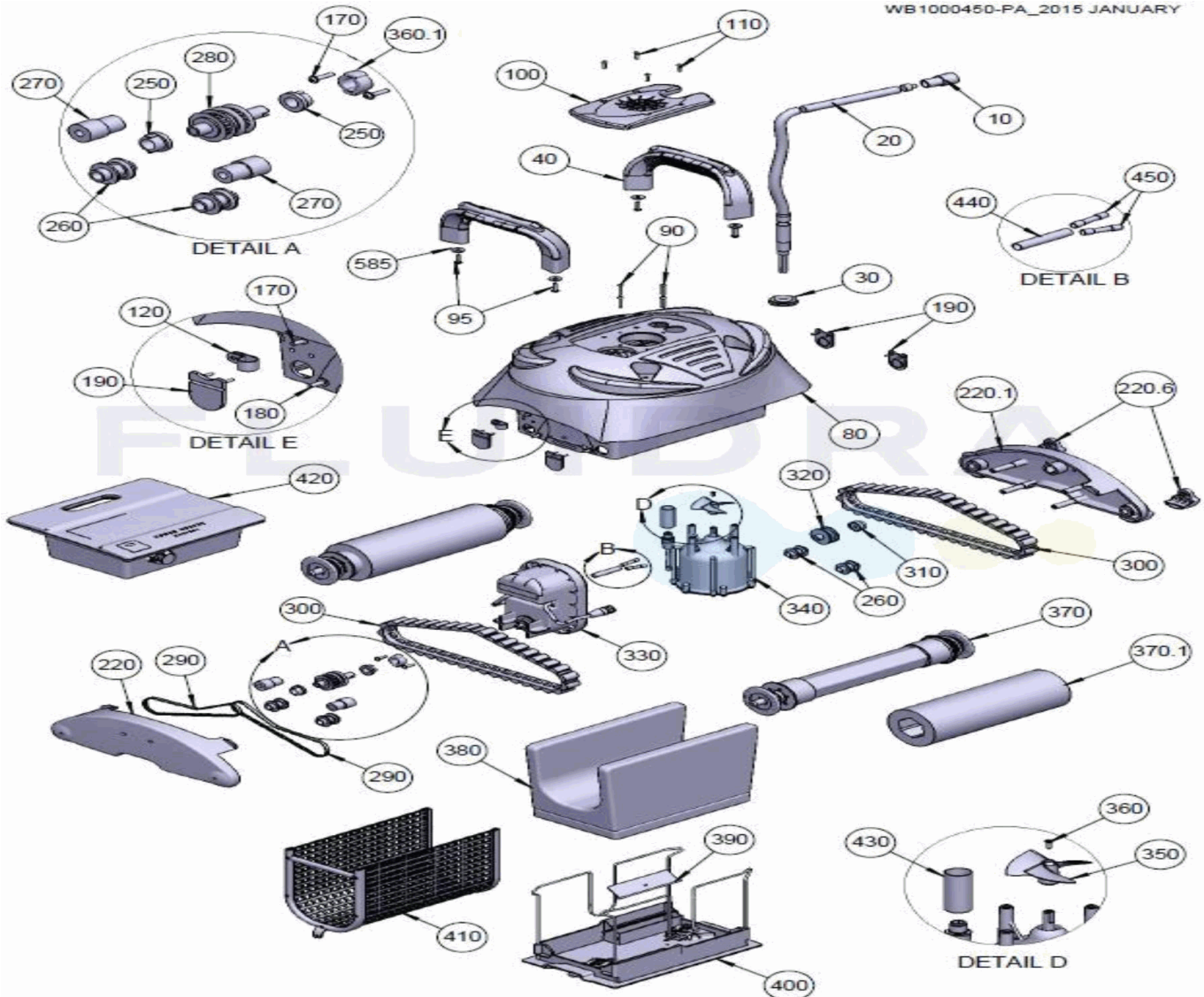
370	AS38246CG	RODILLO DE ARRASTRE	440	AS110011010	TUBO RETRACTIL 16/4 WCSM
370.1	PP03009GY	CEPILLO PVA	450	5473	CONECTOR RETRÁCTIL ROJO
380	8100S	BOLSA FILTRO	585	WS00001	ARANDELA D. 6 DIN 9021
390	9305B-NT	VALVULA PLASTICA CIERRE FONDO	shown	4613	PASADOR CON RANURA
400	BS6100200	CONJUNTO TAPA INFERIOR	shown	AS8007010-SP	CJTO. FLOTACION
410	AS09237	CJTO. REJILLA FILTRO	shown	PP0005000	FLOTADOR MOTOR
420	AS2722402-SP	TRANSFORMADOR BASICO 180W GRIS	shown	XW3000100	MASILLA ESTANQUEIDAD
430	AS110162506	TUBO RETRACTIL 24/6			

CODE **66019**

DESCRIPTION: **NETTOYEUR DE FOND CTX TYPHOON 4**

REFH-SUM0-TY413 (2016)

WB1000450-PA_2015 JANUARY



FRANCAIS

POS	CODE	DESCRIPTION	POS	CODE	DESCRIPTION
10	PL00002M	PRISE À 4 FICHES	220,6	PP00213GY	BUTÉE COUVERCLE LATÉRAL
20	WA00116CGL	CÂBLE FLOTTANT CG/16M/2C	250	2613	BAGUE EN MOLYBDÈNE
40	AS1041000	POIGNÉE CORPS SUMSUM JAUNE	260	3500	PETIT GALET
80	AS1006900A	ENSEMBLE CORPS	270	3506	MANCHON DE GALET
90	2500	VIS 8X1,175 PH PN	280	A3605	ENSEMBLE POULIE
95	HW0003100	VIS POUR POIGNÉE	290	3302	COURROIE DE TRANSMISSION
100	PP00042BL	SORTIE SUPÉRIEURE	300	3201G	CHENILLE
110	5061	VIS 6-32X5/8 S/S PH PA	310	2610	RONDELLE CENTRALE
120	HW0006700	FIXATION CÂBLE	320	3700	GRAND GALET
170	2700	VIS 8X11/16 PHIL PN	330	AS08716-SP	MOTEUR DE TRACTION
180	2701	VIS 8X11/16PHIL PN	340	AS00035R-SP	MOTEUR DE LA POMPE
190	2305N	VALVE CAOUTCHOUTÉE	350	P00038	HÉLICE
220	AS1062300	COUVERCLE LATÉRAL	360	SW000069	VIS M-3X10 PHIL DIN-965
220,1	AS10623B1	COUVERCLE LATÉRAL SUMSUM	360,1	PP0004500	LOGEMENT DE TIGE

CODE **66019**

DESCRIPTION: **NETTOYEUR DE FOND CTX TYPHOON 4**

REFH-SUM0-TY413 (2016)

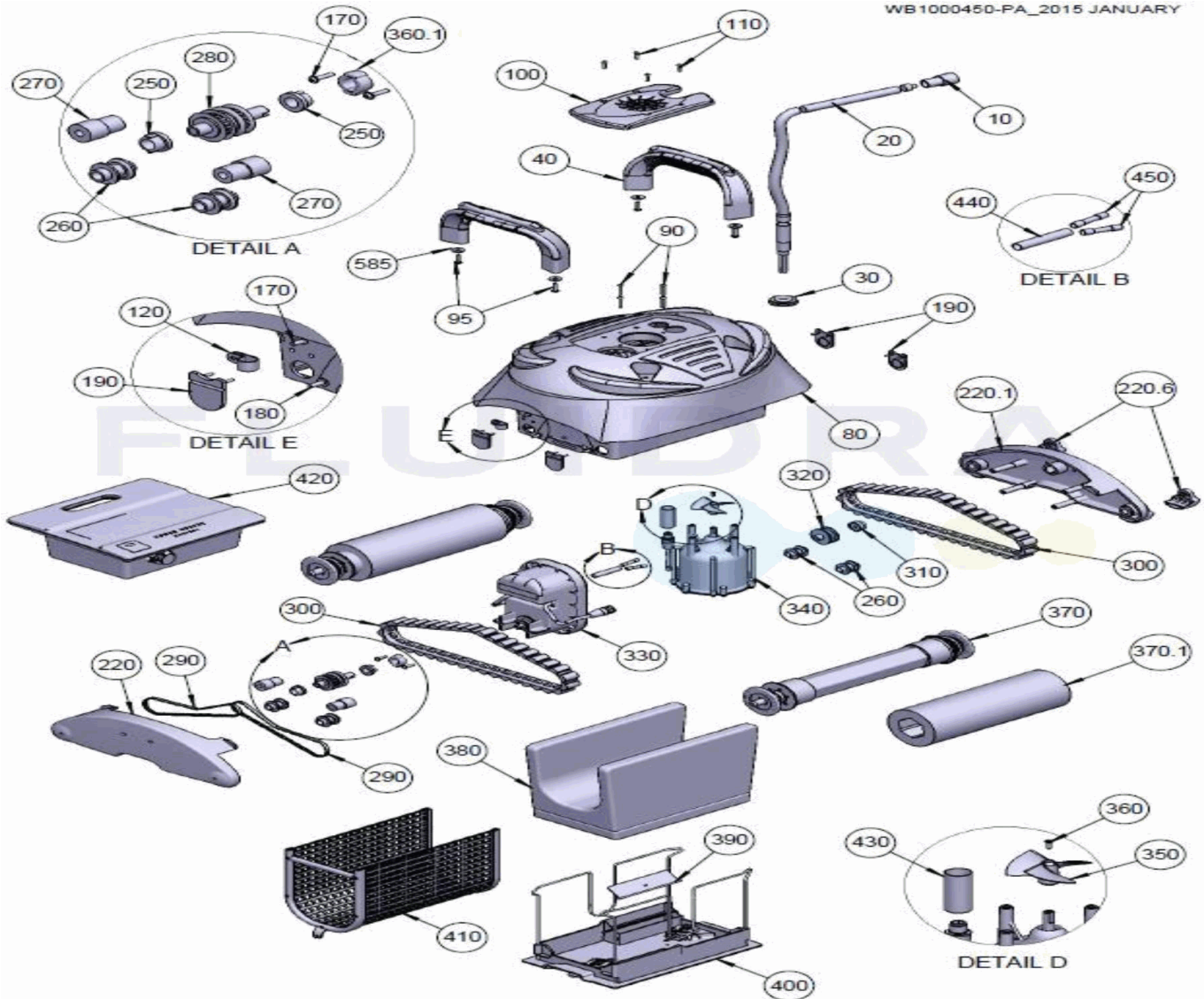
370	AS38246CG	ROULEAU D'ENTRAÎNEMENT	440	AS110011010	TUYAU RÉTRACTILE 16/4 WCSM
370.1	PP03009GY	BROSSE PVA	450	5473	CONNECTEUR BOUT À BOUT
380	8100S	SAC FILTRANT	585	WS00001	RONDELLE PLATE M6 DN 9021
390	9305B-NT	VANNE PLASTIQUE FERMETURE FOND	shown	4613	GOUPILLE À RAINURE
400	BS6100200	ENSEMBLE COUVERCLE INFÉRIEUR	shown	AS8007010-SP	ENS. FLOTTAISON
410	AS09237	ENS. GRILLE ET FILTRE	shown	PP0005000	FLOTTEUR MOTEUR
420	AS2722402-SP	TRANSFORMATEUR BASIQUE 180W GRIS	shown	XW3000100	MASTIC ÉTANCHÉITÉ
430	AS110162506	TUBE RÉTRACTABLE 24/6			

CODE **66019**

DESCRIPTION: **POOL CLEANER CTX TYPHOON 4**

REFH-SUM0-TY413 (2016)

WB1000450-PA_2015 JANUARY



ENGLISH

POS	CODE	DESCRIPTION	POS	CODE	DESCRIPTION
10	PL00002M	4 PIN PLUG	220,6	PP00213GY	BUMPER FOR SIDE PLATE
20	WA00116CGL	FLOAT CABLE ASSY CG/16M/2C	250	2613	MOLYBDENUM BUSHING
40	AS1041000	S/A HANDLE SUMSUM YELLOW	260	3500	SMALL ROLLER
80	AS1006900A	BODY ASSY	270	3506	SLEEVE ROLLER
90	2500	SCREW 8X1,175 PH PN	280	A3605	PULLEY ASSY
95	HW0003100	SCREW#12*3/4" DIN7981STS "	290	3302	DRIVE BELT
100	PP00042BL	OUTLET TOP	300	3201G	DRIVE TRACK
110	5061	SCREW 6-32X5/8 S/S PH PA	310	2610	BUSHING FOR LOWER CASING
120	HW0006700	CABLE RETAINER SOPHIA	320	3700	LARGE ROLLER
170	2700	SCREW 8X11/16 PHIL PN	330	AS08716-SP	SP D. MOTOR
180	2701	SCREW 8X11/16PHIL PN	340	AS00035R-SP	PUMP MOTOR
190	2305N	RUBBER VALVE	350	P00038	PROPELLER
220	AS1062300	SIDE PLATE ASSY	360	SW000069	SCRERW M-3X10 PHIL DIN-965
220,1	AS10623B1	SIDE COVER SUMSUM	360,1	PP0004500	CASE FOR PIN



PARTS BREAKDOWN

REV.: 0
DATE: 01/04/2016
SHEET: 6 / 12

1073

CODE **66019**

DESCRIPTION: **POOL CLEANER CTX TYPHOON 4**

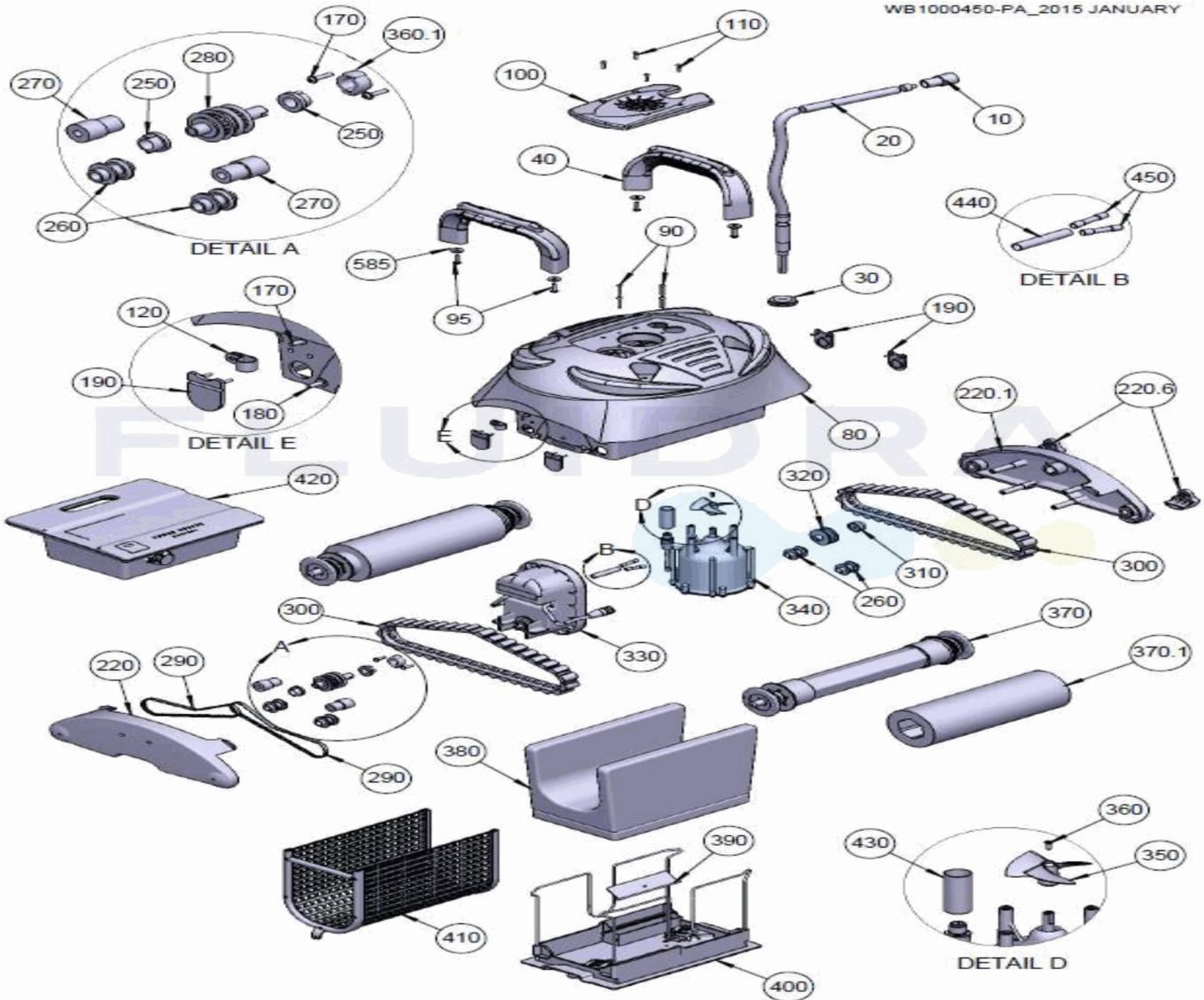
REFH-SUM0-TY413 (2016)

370	AS38246CG	WHEEL TUBE ASSY.	440	AS110011010	SHRINK TUBE 16/4 WCSM
370.1	PP03009GY	PVA BRUSH	450	5473	BUTT CONNECTOR
380	8100S	FILTER BAG	585	WS00001	PLAIN WASHER M6 DIN 9021
390	9305B-NT	BOTTOM LID VALVE	shown	4613	GROOVE PIN 1/8X5/8 S/S
400	BS6100200	BOTTOM LID ASSY	shown	AS8007010-SP	KIT FOR FLOATIAN CELL
410	AS09237	FILTER SCREEN ASSY	shown	PP0005000	FLOAT FOR MOTOR
420	AS2722402-SP	SPS BASIC 180W GREY	shown	XW3000100	SEALANT MASTIC
430	AS110162506	SHRINK TUBE 24/6			

CODICE **66019**

 DESCRIZIONE: **PULISCIFONDI CTX TYPHOON 4**
REFH-SUM0-TY413 (2016)

WB1000450-PA_2015 JANUARY


ITALIANO

POS	CODICE	DESCRIZIONE	POS	CODICE	DESCRIZIONE
10	PL00002M	PRESA A QUATTRO SPINE	220,6	PP00213GY	TACCO COPERCHIO LATERALE
20	WA00116CGL	CAVO GALLEGGIANTE CG/16M/2C	250	2613	BOCCOLA IN MOLYBDENUM
40	AS1041000	MANIGLIA CORPO SUMSUM GIALLO	260	3500	CILINDRO PICCOLO
80	AS1006900A	BLOCCO CORPO	270	3506	GUAINA CILINDRO
90	2500	VITE 8X1,175 PH PN	280	A3605	BLOCCO PULEGGIA
95	HW0003100	VITE PER MANIGLIA	290	3302	CINGHIA DI TRASMISSIONE
100	PP00042BL	SORTIE SUPÉRIEURE	300	3201G	CINGOLI DI TRASMISSIONE
110	5061	VITE 6-32X5/8 S/S PH PA	310	2610	RONDELLA CENTRALE
120	HW0006700	ATTACCO CAVO	320	3700	CILINDRO GRANDE
170	2700	VITE 8X11/16 PHIL PN	330	AS08716-SP	MOTORE DI TRAZIONE
180	2701	VITE 8X11/16 PHIL PN	340	AS00035R-SP	INIETTORE A POMPA
190	2305N	VALVOLA DI GOMMA	350	P00038	ELICA
220	AS1062300	COPERTURA LATERALE	360	SW000069	VITE M-3X10 PHIL DIN-965
220,1	AS10623B1	COPERCHIO LATERALE SUMSUM	360,1	PP0004500	PERNO

CODICE **66019**

 DESCRIZIONE: **PULISCIFONDI CTX TYPHOON 4**
REFH-SUM0-TY413 (2016)

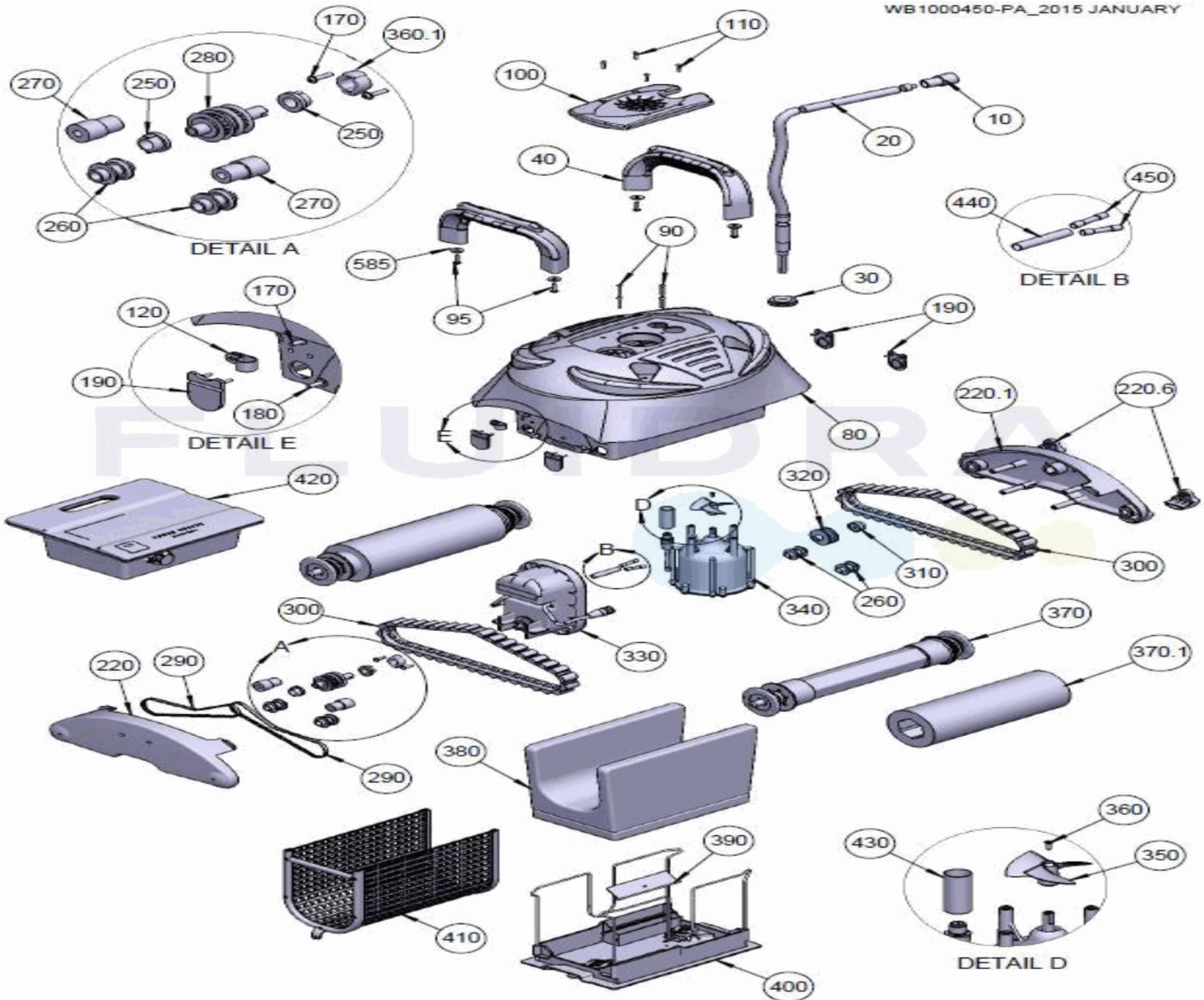
370	AS38246CG	RULLO DI TRAINO	440	AS110011010	TUBO RETRACTIL 16/4 WCSM
370.1	PP03009GY	SPAZZOLA PVA	450	5473	CONNETTORI ISOLATI DI ESTREMITÀ
380	8100S	BORSA FILTRO	585	WS00001	RONDELLA PIANA M6 DIN 9021
390	9305B-NT	VALVOLA PLASTICA CHIUSURA FONDO	shown	4613	COPPIGLIA CON SCANALATURA
400	BS6100200	BLOCCO COPERCHIO INFERIORE	shown	AS8007010-SP	KIT GALLEGGIANTE
410	AS09237	INSIEME GRIGLIA FILTRO	shown	PP0005000	GALLEGGIANTE MOTORE
420	AS2722402-SP	TRASFORMATORE BASICO 180 W. GRIGIO	shown	XW3000100	STUCCO TENUTA STAGNA
430	AS110162506	TUBO RETRACTIL 24/6			

CODE **66019**

BESCHREIBUNG: **BODENREINIGER CTX TYPHOON 4**

REFH-SUM0-TY413 (2016)

WB1000450-PA_2015 JANUARY



DEUTSCH

POS	CODE	BESCHREIBUNG	POS	CODE	BESCHREIBUNG
10	PL00002M	4-PIN-STECKER	220,6	PP00213GY	DÜBEL SEITENDECKEL
20	WA00116CGL	SCHWIMMENDES KABEL CG/16M/2C	250	2613	MOLYBDÄN-BUCHSE
40	AS1041000	GRIFF GEHÄUSE SUMSUM GELB	260	3500	KLEINER ROLLER
80	AS1006900A	GERÄTEGEHÄUSE	270	3506	ÄRMELROLLER
90	2500	SCHRAUBE 8X1, 175 PH PN	280	A3605	ANTRIEBSSCHEIBE GERÄT
95	HW0003100	SCHRAUBE FÜR GRIFF	290	3302	ANTRIEBSRIEMEN
100	PP00042BL	OBERER ABZUG	300	3201G	ANTRIEBSSPUR
110	5061	SCHRAUBE 6-32X5/8 S/S PH PA	310	2610	MITTLERE BEILAGSCHEIBE
120	HW0006700	BEFESTIGUNG KABEL	320	3700	GROSSER ROLLER
170	2700	SCHRAUBE 8X11/16 PHIL PN	330	AS08716-SP	ZUGMOTOR
180	2701	SCHRAUBE 8X11/16 PHIL PN	340	AS00035R-SP	MOTORPUMPE
190	2305N	GUMMIVENTIL	350	P00038	HELIX
220	AS1062300	SEITLICHER DECKEL	360	SW000069	SCHRAUBE M-3X10 PHIL DIN-965
220,1	AS10623B1	SEITENABDECKUNG SUMSUM	360,1	PP0004500	GEHÄUSE FÜR PIN

CODE **66019**

BESCHREIBUNG: **BODENREINIGER CTX TYPHOON 4**

REFH-SUM0-TY413 (2016)

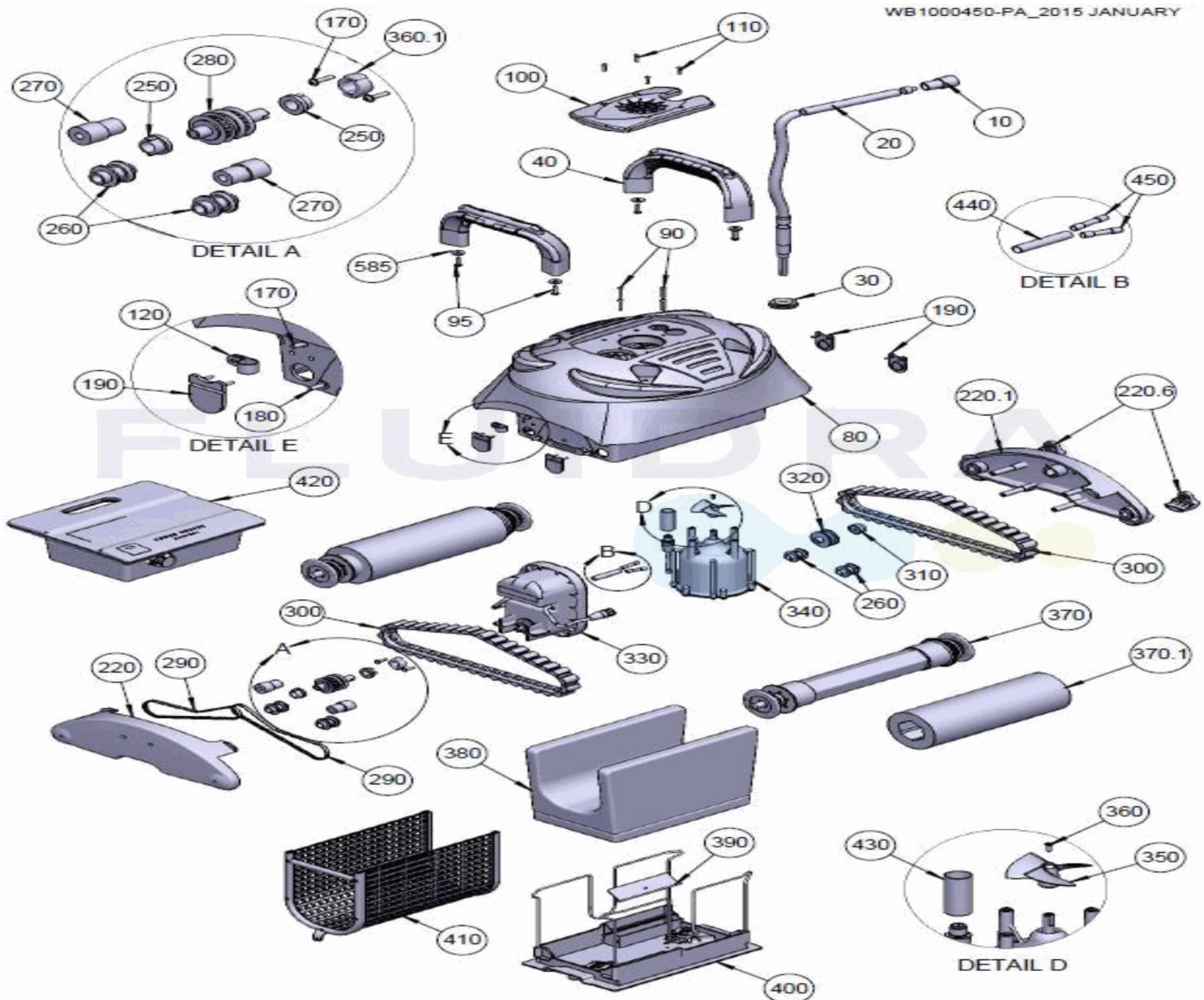
370	AS38246CG	FÖRDERROLLE	440	AS110011010	EINZIEHBARES ROHR 16/4 WCSM
370.1	PP03009GY	PVA-BÜRSTE	450	5473	HINTERER VERBINDUNGSTEIL
380	8100S	FILTERBEUTEL	585	WS00001	FLACHER REINIGER M6 DIN 9021
390	9305B-NT	PLASTIKVENTIL VERSCHLUSS BODEN	shown	4613	GENUTETER STIFT
400	BS6100200	UNTERER GERÄTEDECKEL	shown	AS8007010-SP	SET SCHWIMMER
410	AS09237	SET GITTERFILTER	shown	PP0005000	SCHWIMMTEIL MOTOR
420	AS2722402-SP	TRANSFORMATOR BASIC 180W GRAU	shown	XW3000100	DICHTUNGSMASSE
430	AS110162506	EINLAUFROHR 24/6			

CODIGO **66019**

DESCRIÇÃO: **LIMPADOR DE FUNDOS CTX TYPHOON 4**

REFH-SUM0-TY413 (2016)

WB1000450-PA_2015 JANUARY



PORTUGUES

POS	CODIGO	DESCRIÇÃO	POS	CODIGO	DESCRIÇÃO
10	PL00002M	FICHA DE 4 PINOS	220,6	PP00213GY	CUNHA TAMPA LATERAL
20	WA00116CGL	CONJUNTO CABO DA BOIA CG/16M/2C	250	2613	BUCHA MOLIBDÉNIO
40	AS1041000	PEGA CORPO SUMSUM AMARELO	260	3500	ROLETE PEQUENO
80	AS1006900A	CONJUNTO CORPO	270	3506	ROLETE DE BORRACHA
90	2500	PARAFUSO 8 X 1,175 PH PN	280	A3605	CONJUNTO ROLDANA
95	HW0003100	PARAFUSO PARA PEGA	290	3302	CORREIA DE TRANSMISSÃO
100	PP00042BL	SORTIE SUPÉRIEURE	300	3201G	LAGARTA DE TRAÇÃO
110	5061	PARAFUSO 6-32 X 5/8 S/S PH PA	310	2610	ANILHA CENTRAL
120	HW0006700	FIXAÇÃO CABO	320	3700	ROLETE GRANDE
170	2700	PARAFUSO 8 X 11/16 PHIL PN	330	AS08716-SP	MOTOR DE TRAÇÃO
180	2701	PARAFUSO 8 X 11/16 PHIL PN	340	AS00035R-SP	BOMBA MOTOR
190	2305N	VÁLVULA DE BORRACHA	350	P00038	HÉLICE
220	AS1062300	TAMPA LATERAL	360	SW00069	PARAFUSO M-3 X 10 PHIL DIN-965
220,1	AS10623B1	TAMPA LATERAL SUMSUM	360,1	PP0004500	ENCAIXE PARA PINO

CODIGO **66019**

DESCRIÇÃO: **LIMPADOR DE FUNDOS CTX TYPHOON 4**

REFH-SUM0-TY413 (2016)

370	AS38246CG	ROLO DE ARRASTO	440	AS110011010	TUBO RETRÁTIL 16/4 WCSM
370.1	PP03009GY	ESCOVA PVA	450	5473	CONECTOR DE EXTREMIDADE
380	8100S	BOLSA FILTRO	585	WS00001	ANILHA PLANA M6 DIN 9021
390	9305B-NT	VÁLVULA PLÁSTICA FECHO FUNDO	shown	4613	PASSADOR COM RANHURA
400	BS6100200	CONJUNTO TAMPA INFERIOR	shown	AS8007010-SP	CJTO. FLUTUAÇÃO
410	AS09237	CJTO. GRELHA FILTRO	shown	PP0005000	BOIA MOTOR
420	AS2722402-SP	TRANSFORMADOR BÁSICO 180 W. CINZENTO	shown	XW3000100	SELANTE ESTANQUEIDADE
430	AS110162506	TUBO ENCOLHÍVEL 24/6			