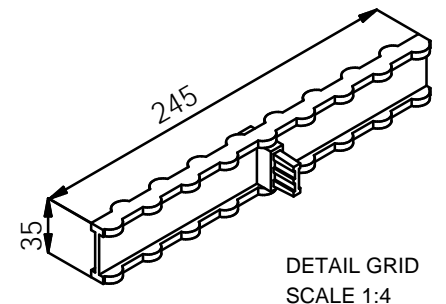
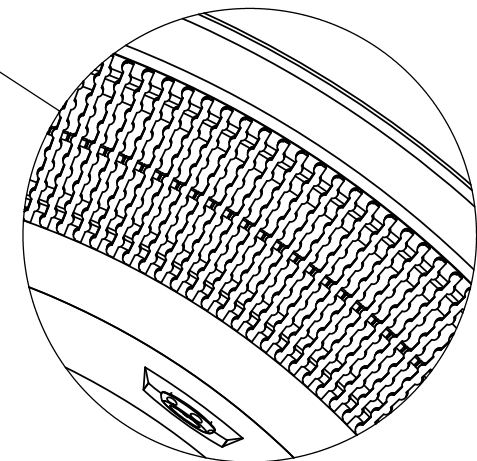
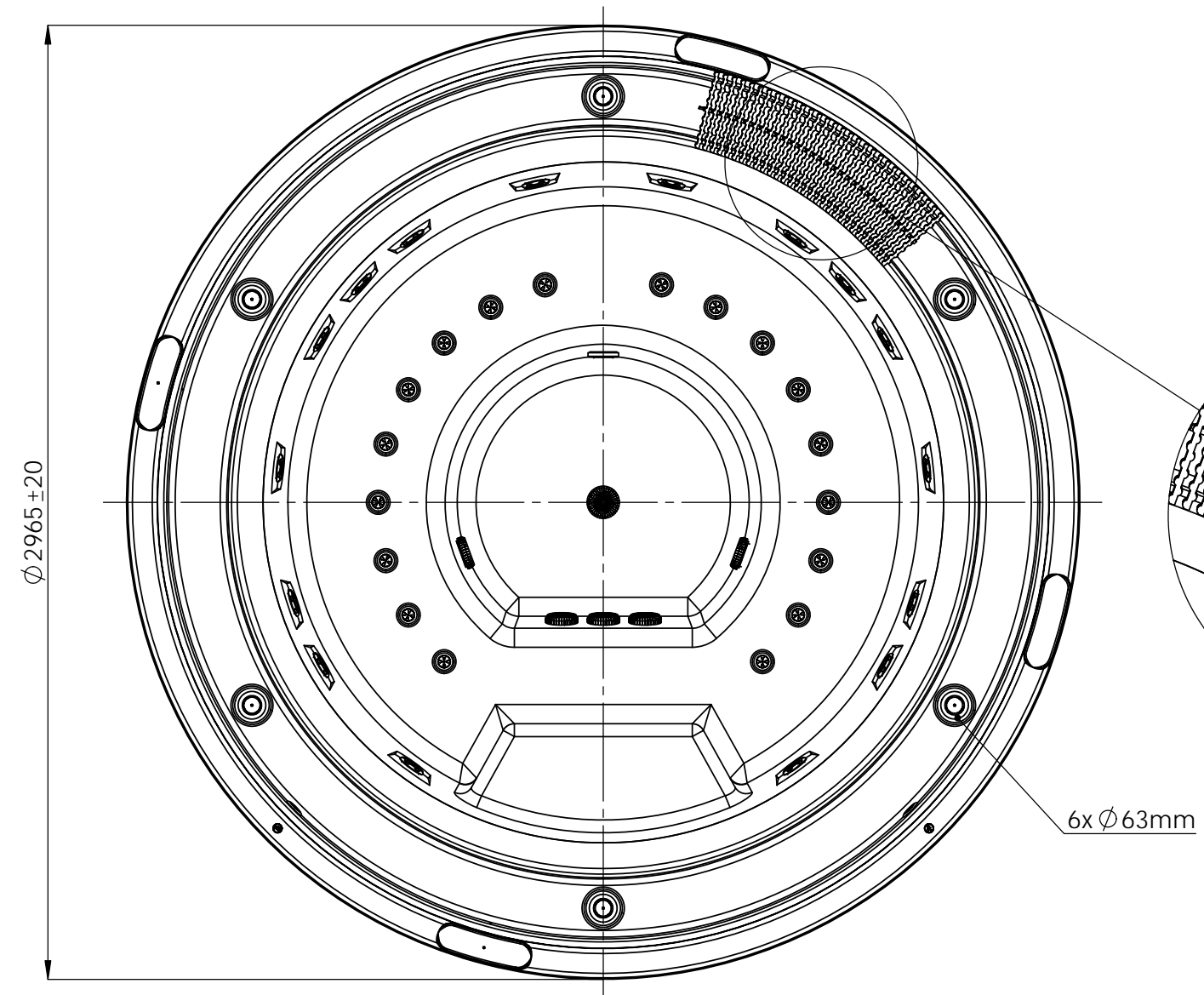
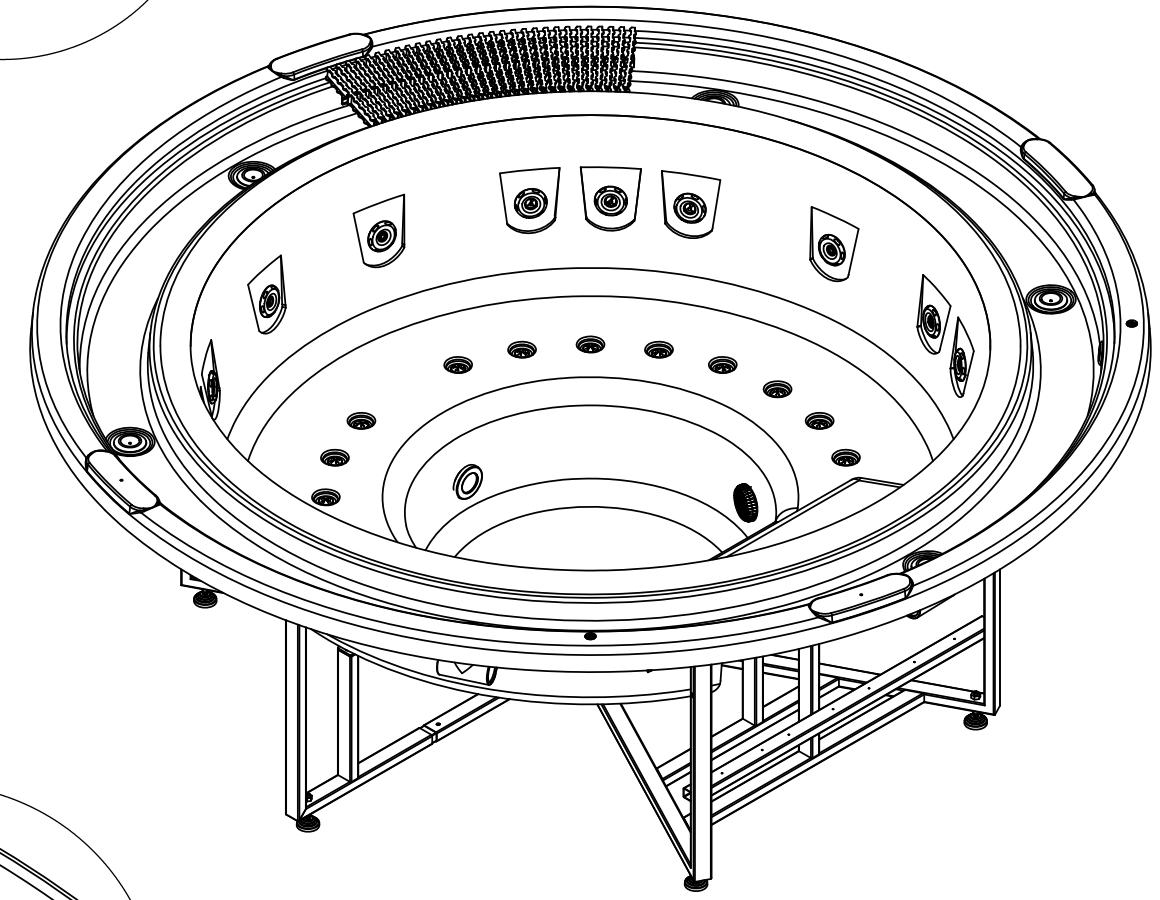
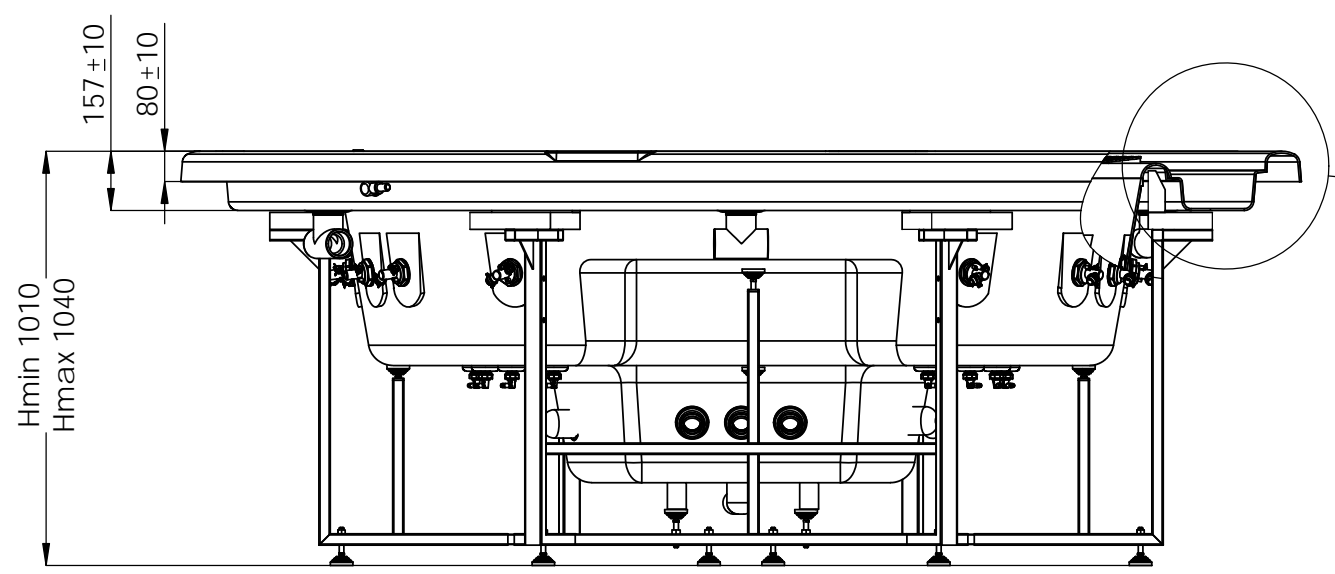


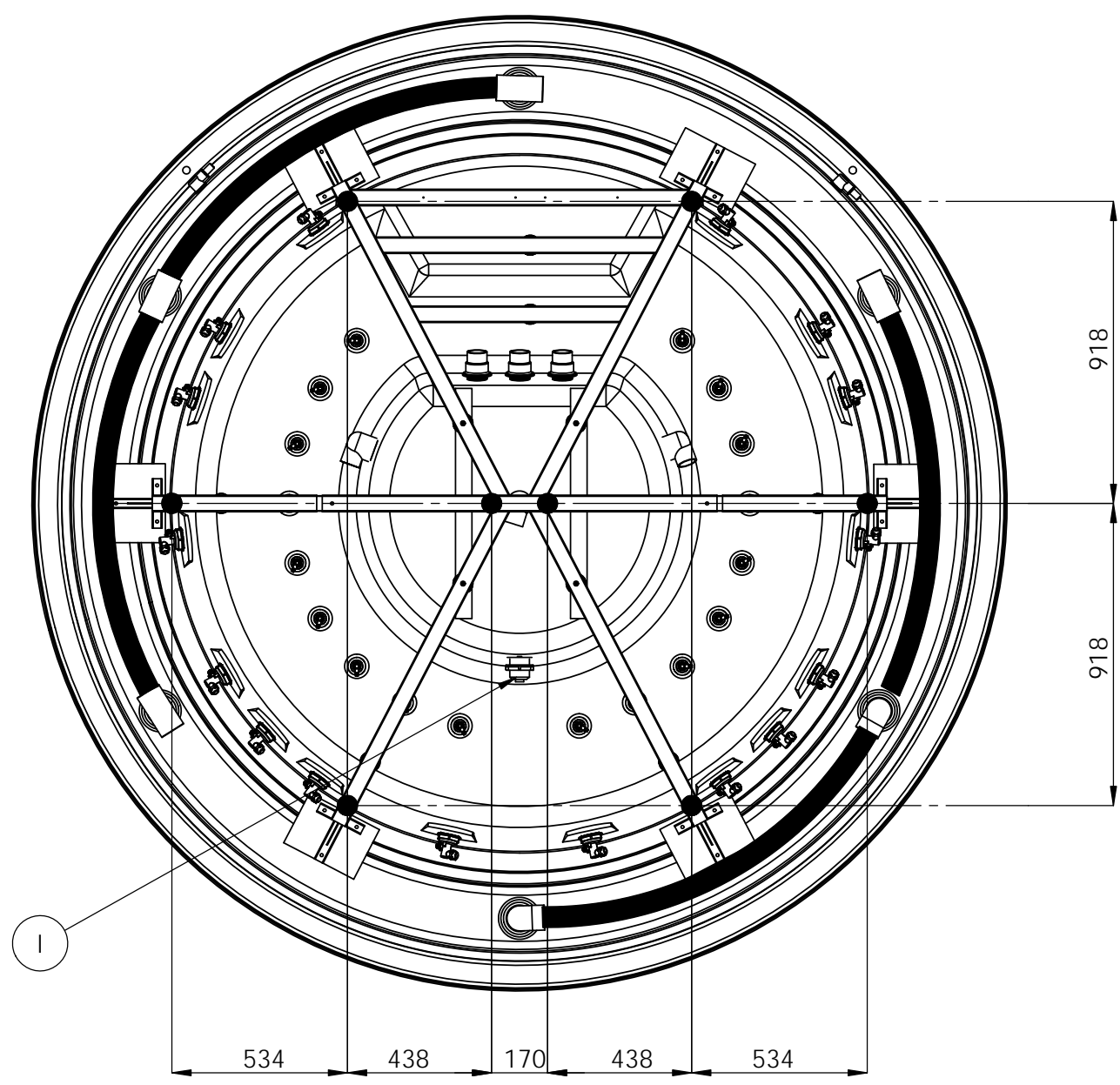
General specifications	
Spa weight (dry)	224 Kg
Spa weight (filled)	2168 Kg
Package dimension	3110x2300x2400mm
Package weight	384 Kg



According to our policy of continuous improvement, dimensions, features or components of this product can be partially or completely changed without prior notice. It's Customer responsibility to verify that this is the last version of the drawing

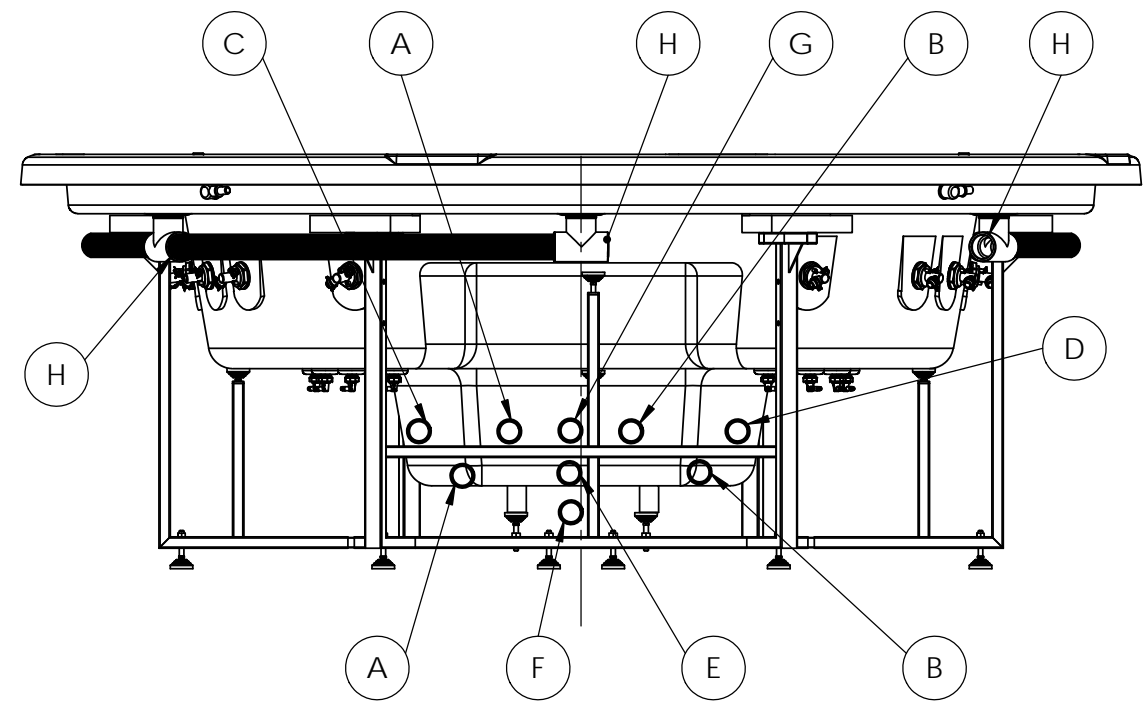
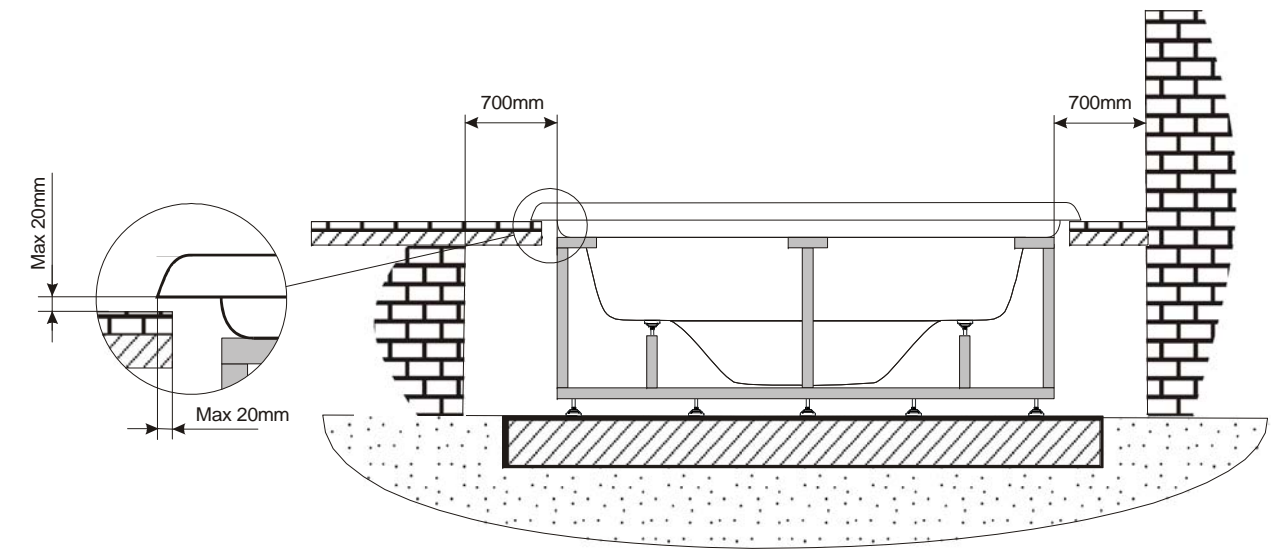
Change No.	Date	Name	Modification
16	12/06/2014	I.Pozo	New spare template
15	26/05/2014	I.Pozo	New Templates
14	10/09/2013	X.Codina	New Templates
13	10/01/2013	I.Pozo	Actualizar plano/Drawing update
12	06/05/2010		Actualizar plano/Drawing update

Remarks Dimensions in mm. General Tolerances +/- 10mm			COMMERCIAL			
Drawn	--	--	IBERSPA	Part Number	Rev.	First Angle Projection
Checked	--	I.Nicolas		20141	16	
Scale 1:20	General Tolerance DIN 7168 ISO 2768g					
Sheet 1/3						



A	Suction-Water Massage Pump 1	1x1,5"BSP FEMALE THREAD
B	Suction-Water Massage Pump 2	1x1,5"BSP FEMALE THREAD
C	Return-Water Massage Pump 1	1x1,5"BSP FEMALE THREAD
D	Return-Water Massage Pump 2	1x1,5"BSP FEMALE THREAD
E	Return-Air Massage	1x1,5"BSP FEMALE THREAD
F	Suction/Return-Filtration Pump Bottom Spa	1x1,5"BSP FEMALE THREAD
G	Return-Filtration Pump Inlets	1x1,5"BSP FEMALE THREAD
H	Overflow Drains	Ø 63 FEMALE SOCKET
I	Light	

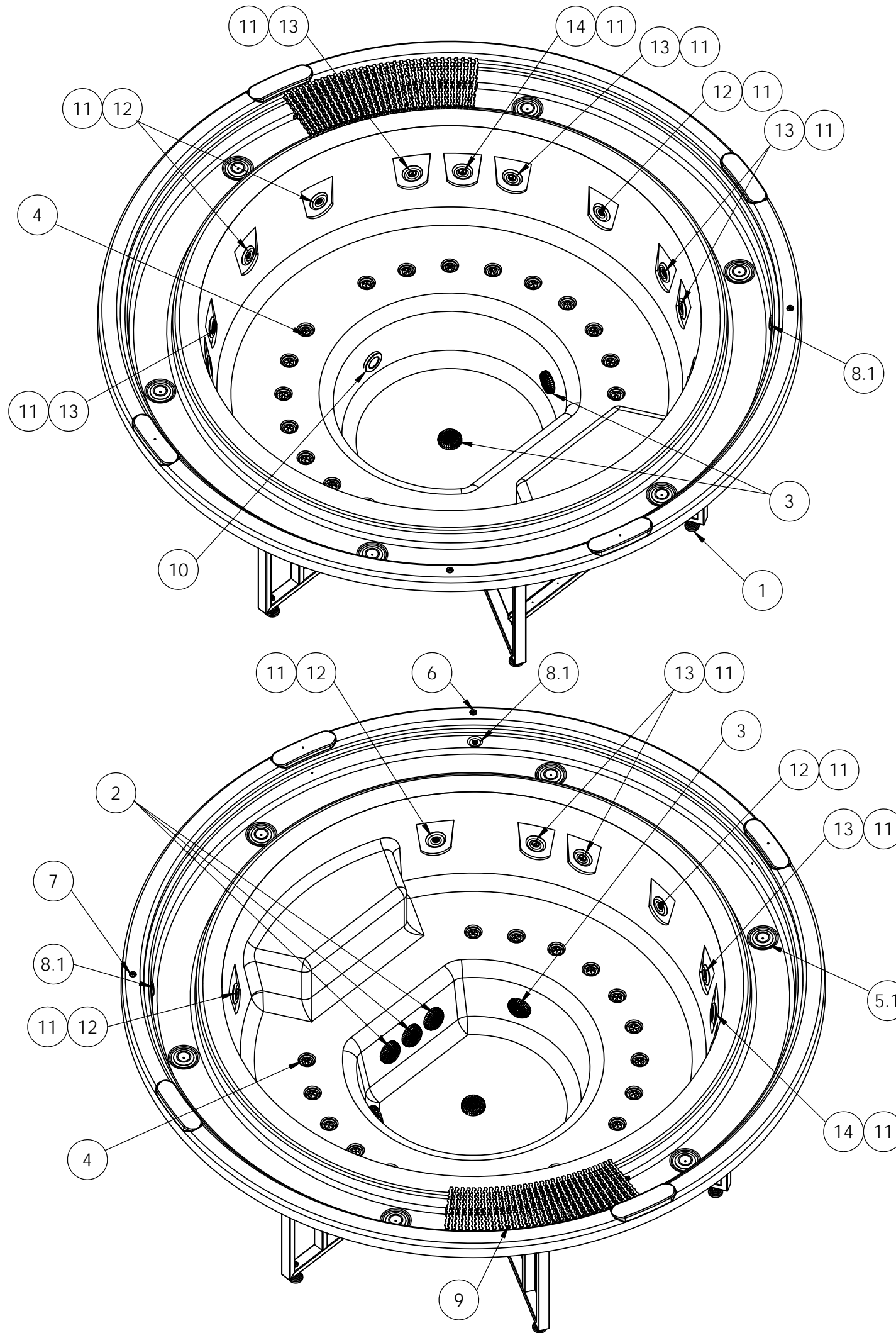
WARNING:
It's essential to keep a minimum clearance access of **700mm** all around.
Minimum depth of spa hole **1040 mm**.



According to our policy of continuous improvement, dimensions, features or components of this product can be partially or completely changed without prior notice.
It's Customer responsibility to verify that this is the last version of the drawing

16	12/06/2014	I.Pozo	New spare template
15	26/05/2014	I.Pozo	New Templates
14	10/09/2013	X.Codina	New Templates
13	10/01/2013	I.Pozo	Actualizar plano/Drawing update
12	06/05/2010		Actualizar plano/Drawing update
Change No.	Date	Name	Modification

Remarks Dimensions in mm. General Tolerances +/- 10mm		COMMERCIAL				
Drawn	--			Part Number	Rev.	First Angle Projection
Checked	--			I.Nicolas	20141	16
Scale	1:20					
Sheet	2/3					



STAINLESS STEEL JETS + WHITE LIGHT			
Position Num.	Part Nº SPARE	Description SPARE	Quant.
1	303325R	SPA SUPPORT	18
2	RPOR0223	WHITE SPA DRAIN 2" ADAPTOR SOCKET D.50	3
3	RPOR0224	WHITE SPA DRAIN 2" ADAPTOR ELBOW 90 D.50	3
4	REMP0046	WHITE-STAINLESS STEEL AIR NOZZLE	18
5.1	REMP0055	PRESSURE NOZZLE 63 (GASKET 2 UNITS)	6
6	REMP0034	DIGITAL BUTTON IP68 ALUM. AIR	1
7	REMP0033	DIGITAL BUTTON IP68 ALUM. WATER	1
8.1	RPOR0001	WHITE DRAIN SET 1/2"	2
9	REMP0035	CURVED GRATING WIDTH 245 mm	416
10	RPOR0024	LIGHT SPAS SI800	1
11	RPOR0236	JET BODY SET RD 3"	16
12	RPOR0231	FRONTAL JET 3" STAINLESS STEEL DIRECTIONAL	6
13	RPOR0232	FRONTAL JET 3" STAINLESS STEEL 1 JET ROTO	8
14	RPOR0233	FRONTAL JET 3" STAINLESS STEEL TWIN ROTO	2


WHITE JETS + WHITE LIGHT			
Position Num.	Part Nº SPARE	Description SPARE	Quant.
1	303325R	SPA SUPPORT	18
2	RPOR0223	WHITE SPA DRAIN 2" ADAPTOR SOCKET D.50	3
3	RPOR0224	WHITE SPA DRAIN 2" ADAPTOR ELBOW 90 D.50	3
4	REMP0029	KIT STORM AIR NOZZLE	18
5.1	REMP0055	PRESSURE NOZZLE 63 (GASKET 2 UNITS)	6
6	REMP0034	DIGITAL BUTTON IP68 ALUM. AIR	1
7	REMP0033	DIGITAL BUTTON IP68 ALUM. WATER	1
8.1	RPOR0001	WHITE DRAIN SET 1/2"	2
9	REMP0035	CURVED GRATING WIDTH 245 mm	416
10	RPOR0024	LIGHT SPAS SI800	1
11	RPOR0236	JET BODY SET RD 3"	16
12	REMP0058	FRONTAL JET DIRECCIONAL 3"	6
13	REMP0059	FRONTAL JET ROT 1 CHORRO 3"	8
14	REMP0060	FRONTAL JET ROT 2 CHORRO 3"	2

STAINLESS STEEL JETS + COLOUR LIGHT			
Position Num.	Part Nº SPARE	Description SPARE	Quant.
1	303325R	SPA SUPPORT	18
2	RPOR0223	WHITE SPA DRAIN 2" ADAPTOR SOCKET D.50	3
3	RPOR0224	WHITE SPA DRAIN 2" ADAPTOR ELBOW 90 D.50	3
4	REMP0046	WHITE-STAINLESS STEEL AIR NOZZLE	18
5.1	REMP0055	PRESSURE NOZZLE 63 (GASKET 2 UNITS)	6
6	REMP0034	DIGITAL BUTTON IP68 ALUM. AIR	1
7	REMP0033	DIGITAL BUTTON IP68 ALUM. WATER	1
8.1	RPOR0001	WHITE DRAIN SET 1/2"	2
9	REMP0035	CURVED GRATING WIDTH 245 mm	416
10	RCOM0063	HIGH INTENSITY COLOURS LED SPOTLIGHTS + STEEL ESCUTCHEON SPOTLIGHT	1
11	RPOR0236	JET BODY SET RD 3"	16
12	RPOR0231	FRONTAL JET 3" STAINLESS STEEL DIRECTIONAL	6
13	RPOR0232	FRONTAL JET 3" STAINLESS STEEL 1 JET ROTO	8
14	RPOR0233	FRONTAL JET 3" STAINLESS STEEL TWIN ROTO	2

WHITE JETS + COLOUR LIGHT			
Position Num.	Part Nº SPARE	Description SPARE	Quant.
1	303325R	SPA SUPPORT	18
2	RPOR0223	WHITE SPA DRAIN 2" ADAPTOR SOCKET D.50	3
3	RPOR0224	WHITE SPA DRAIN 2" ADAPTOR ELBOW 90 D.50	3
4	REMP0029	KIT STORM AIR NOZZLE	18
5.1	REMP0055	PRESSURE NOZZLE 63 (GASKET 2 UNITS)	6
6	REMP0034	DIGITAL BUTTON IP68 ALUM. AIR	1
7	REMP0033	DIGITAL BUTTON IP68 ALUM. WATER	1
8.1	RPOR0001	WHITE DRAIN SET 1/2"	2
9	REMP0035	CURVED GRATING WIDTH 245 mm	416
10	RCOM0061	HIGH INTENSITY COLOURS LED SPOTLIGHTS + WITHE ESCUTCHEON SPOTLIGHT	1
11	RPOR0236	JET BODY SET RD 3"	16
12	REMP0058	FRONTAL JET DIRECCIONAL 3"	6
13	REMP0059	FRONTAL JET ROT 1 CHORRO 3"	8
14	REMP0060	FRONTAL JET ROT 2 CHORRO 3"	2

According to our policy of continuous improvement, dimensions, features or components of this product can be partially or completely changed without prior notice. It's Customer responsibility to verify that this is the last version of the drawing

16	12/06/2014	I.Pozo	New spare template
15	26/05/2014	I.Pozo	New Templates
14	10/09/2013	X.Codina	New Templates
13	10/01/2013	I.Pozo	Actualizar plano/Drawing update
12	06/05/2010		Actualizar plano/Drawing update
Change No.	Date	Name	Modification

Remarks			SPARE DRAWING		
Dimensions in mm. General Tolerances +/- 10mm					
Drawn	--	--		Part Number	Rev.
Checked	--	I.Nicolas		20141	16
Scale 1:20	General Tolerance DIN 7168 ISO 2768g				
Sheet 3/3					