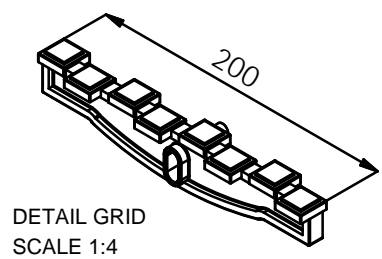
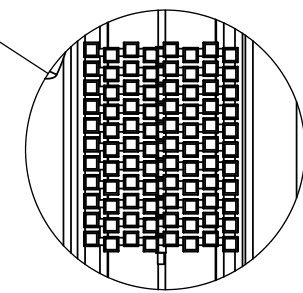
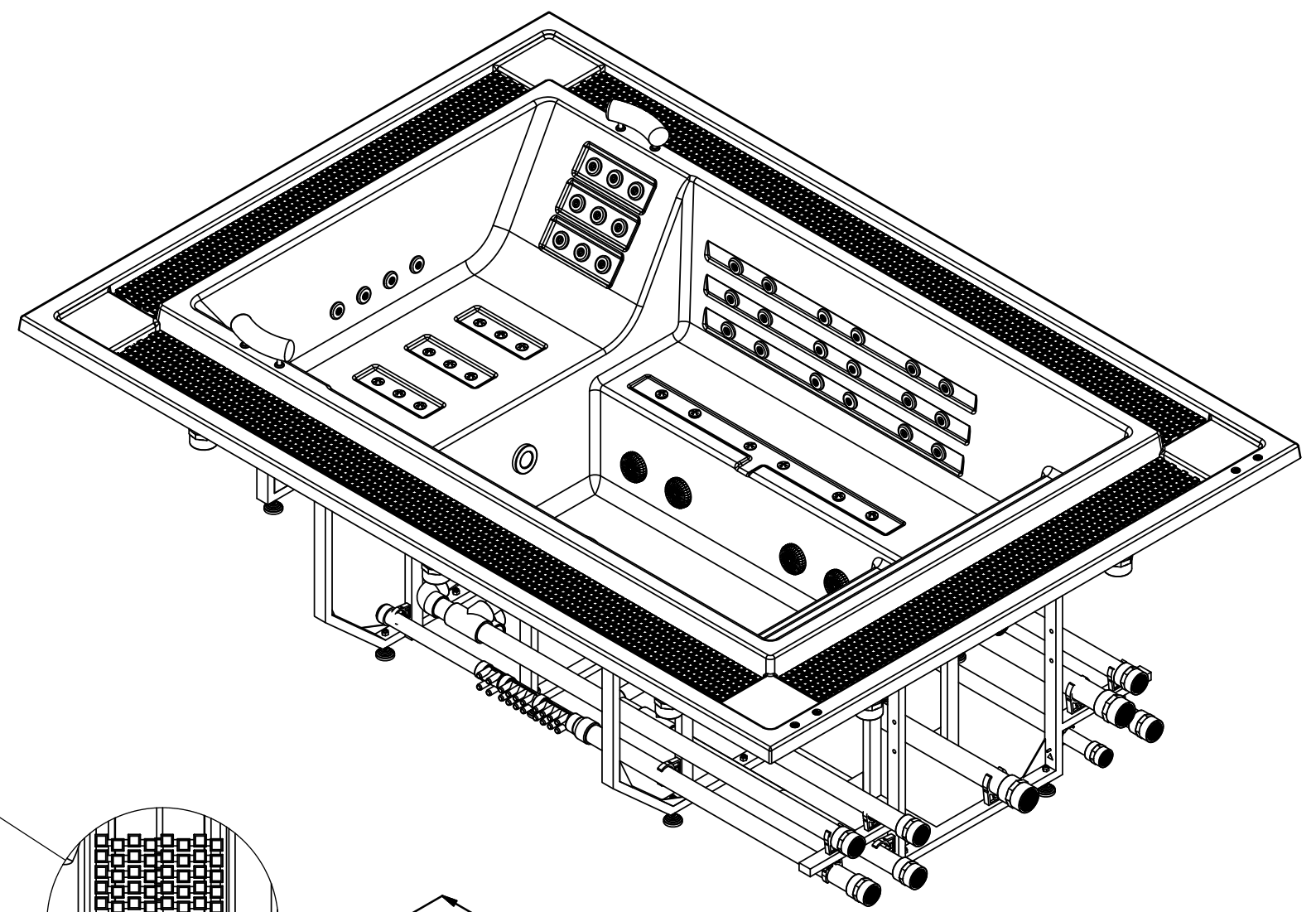
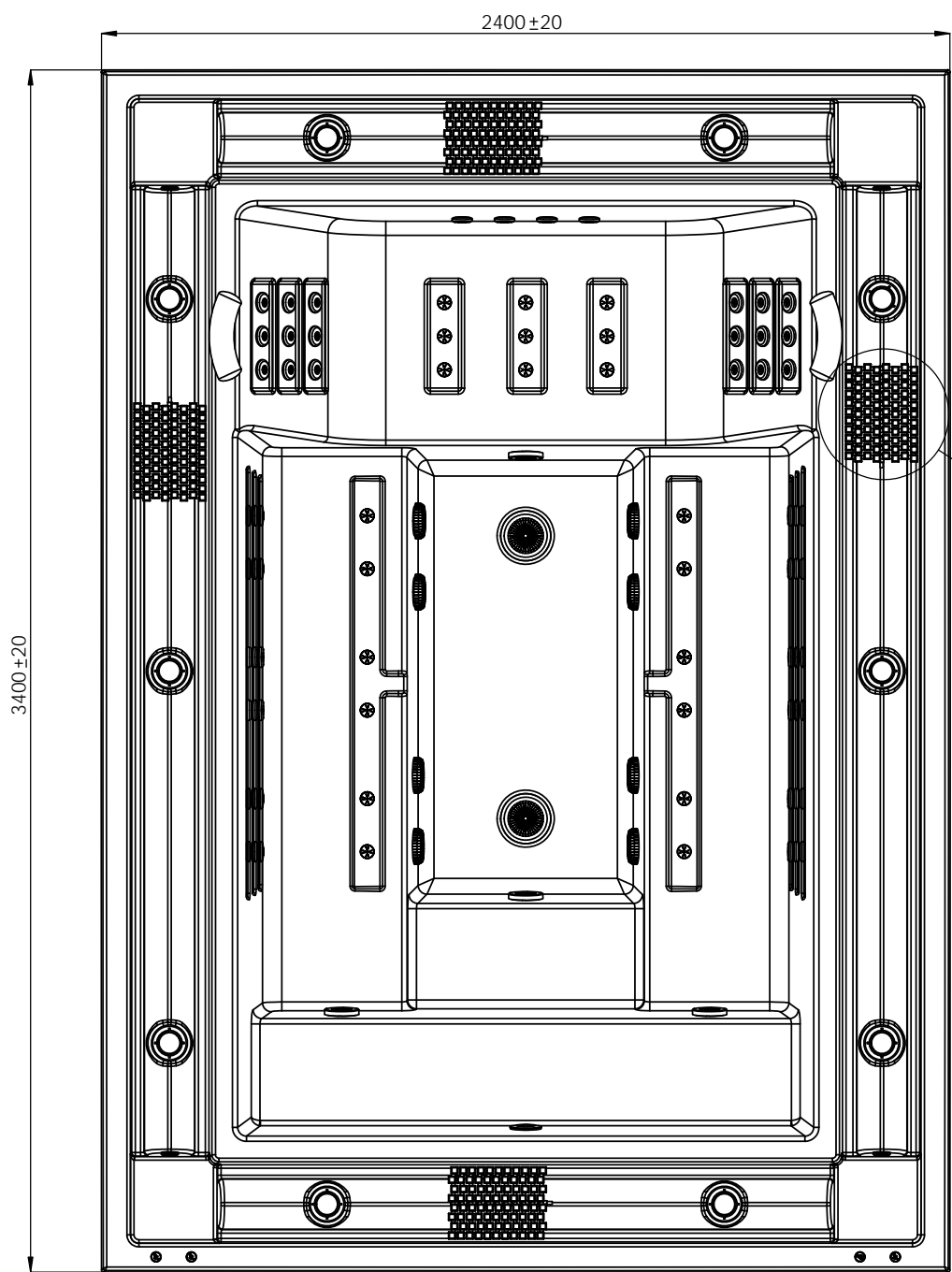
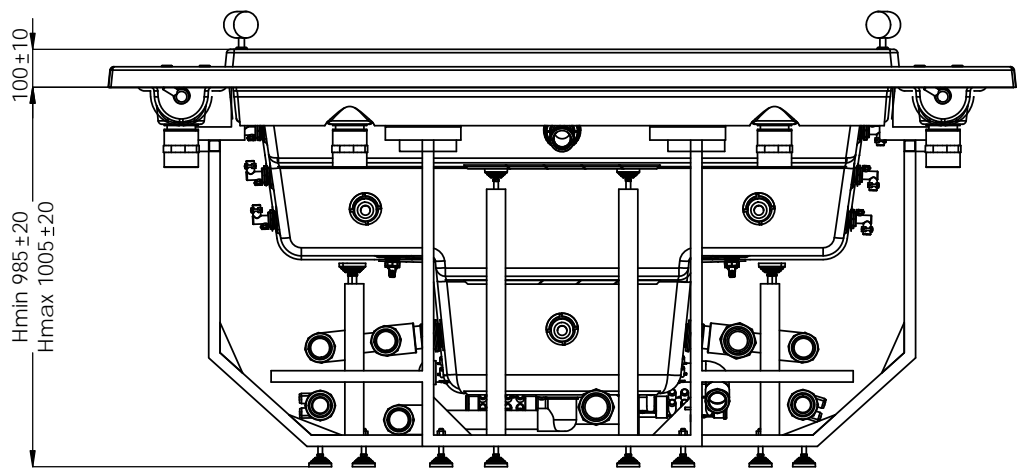


General specifications	
Spa weight (dry)	500 Kg
Spa weight (filled)	2700 Kg
Package dimension	3970x2300x2280mm
Package weight	600 Kg

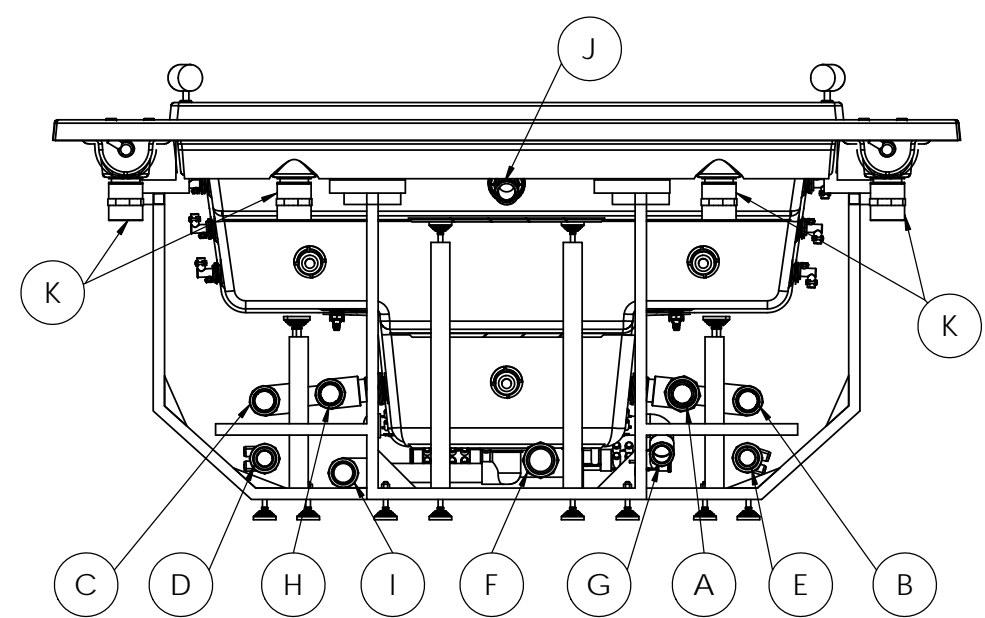
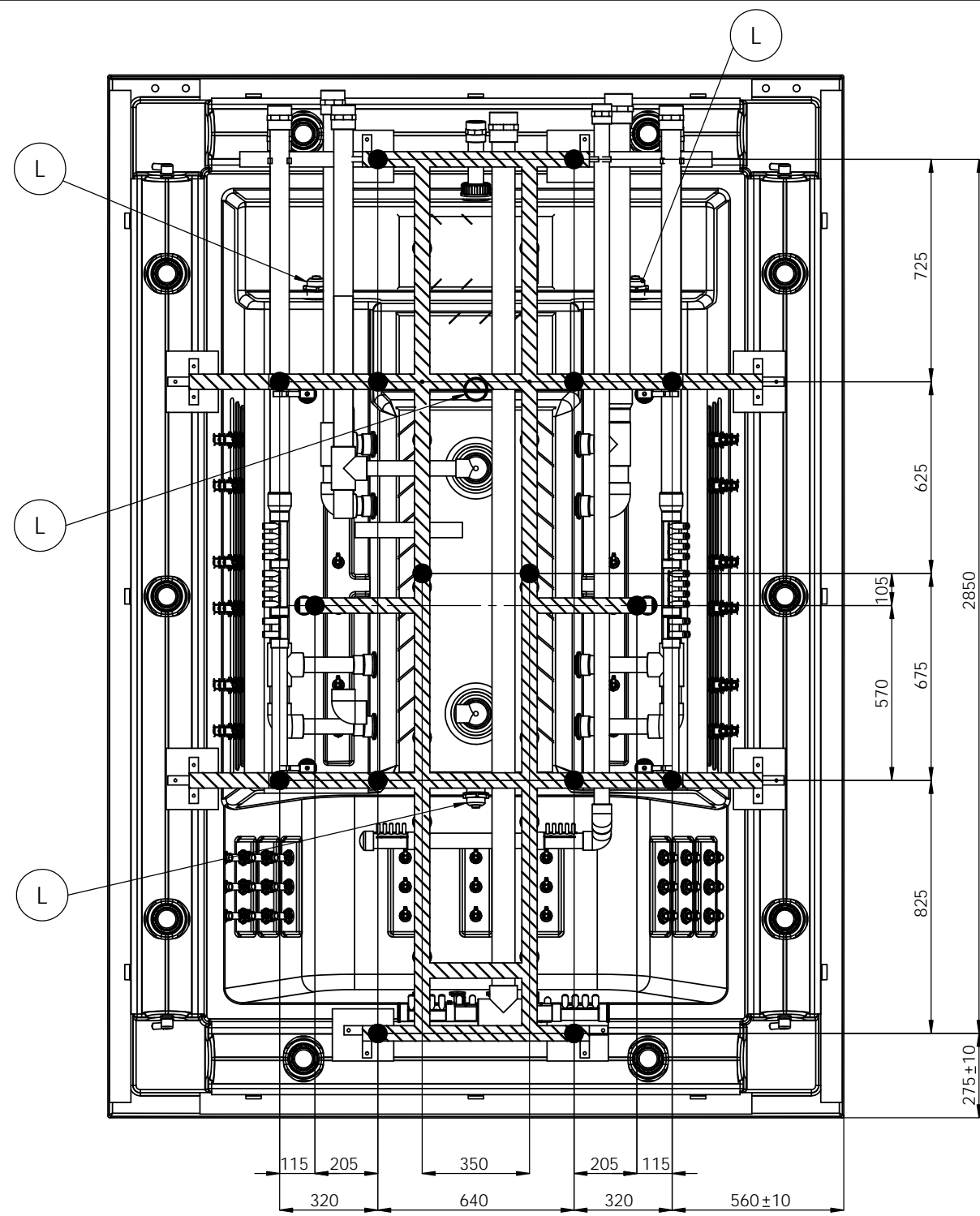


VALID FROM 15/01/2016

According to our policy of continuous improvement, dimensions, features or components of this product can be partially or completely changed without prior notice. It's Customer responsibility to verify that this is the last version of the drawing

Change No.	Date	Name	Modification
07	28/04/2016	I.Pozo	Change light and drain. Add table
06	16/01/15	I.Pozo	Change tolerance high spa
05	16/09/14	I.Pozo	Add 2 Spa support
04	12/05/14	I.Pozo	New spare template
03	26/05/14	I.Pozo	New templates

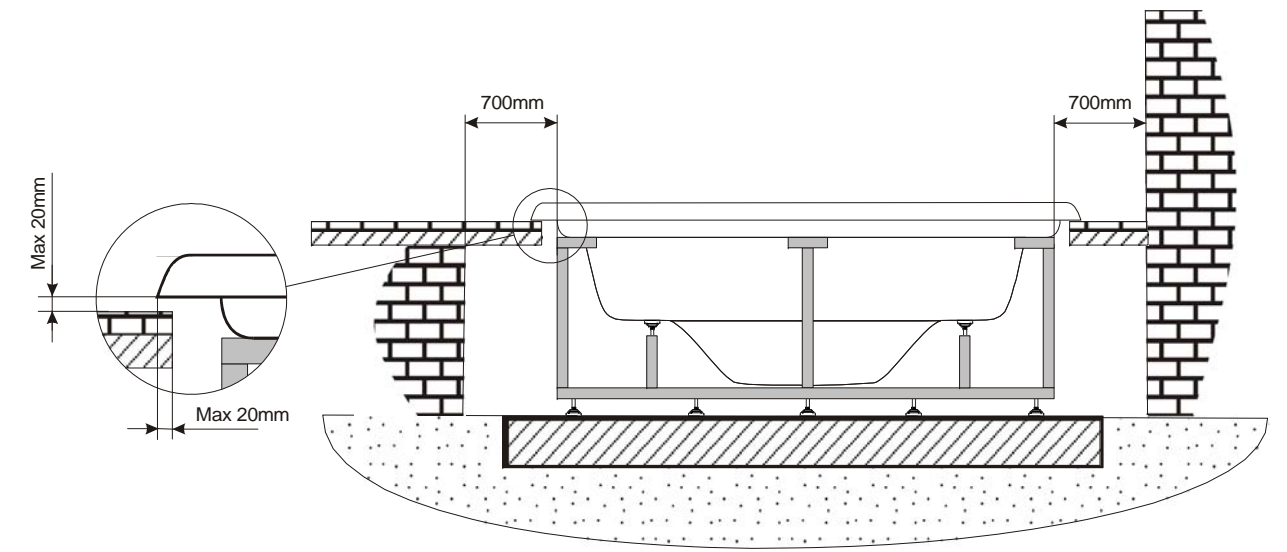
Remarks Dimensions in mm. General Tolerances +/- 10mm			COMMERCIAL		
Drawn	24/06/11	J.Jorba	Part Number 53990	Rev. 07	First Angle Projection
Checked	-	I.Nicolas			
Scale 1:20	General Tolerance DIN 7168 ISO 2768g				
Sheet 1/3					



A	Suction-Water Massage Pump 1	Ø 75 FEMALE SOCKET
B	Suction-Water Massage Pump 2	Ø 63 FEMALE SOCKET
C	Suction-Water Massage Pump 3	Ø 63 FEMALE SOCKET
D	Return-Water Massage Pump 1	Ø 63 FEMALE SOCKET
E	Return-Water Massage Pump 2	Ø 63 FEMALE SOCKET
F	Return-Water Massage Pump 3	Ø 75 FEMALE SOCKET
G	Return-Air Massage	Ø 50 FEMALE SOCKET
H	Suction/Return-Filtration Pump Bottom Spa	Ø 63 FEMALE SOCKET
I	Return-Filtration Pump Inlets	Ø 63 FEMALE SOCKET
J	Suction drain vacuum clean	Ø 50 FEMALE SOCKET
K	Overflow Drains (10x)	Ø 75 FEMALE SOCKET
L	Light	

VALID FROM 15/01/2016

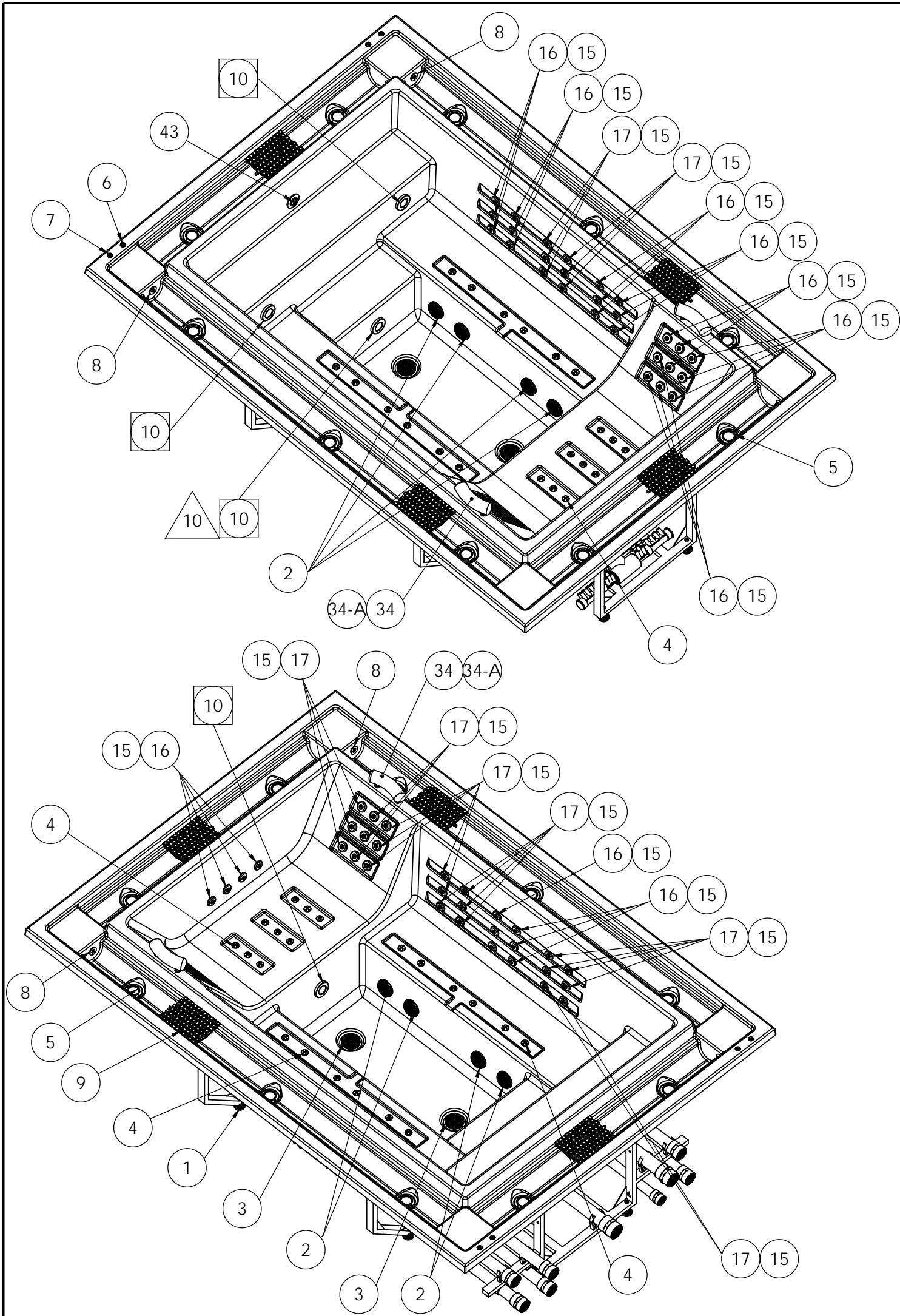
WARNING:
It's essential to keep a minimum clearance access of **700mm** all around.



According to our policy of continuous improvement, dimensions, features or components of this product can be partially or completely changed without prior notice.
It's Customer responsibility to verify that this is the last version of the drawing

Change No.	Date	Name	Modification
07	28/04/2016	I.Pozo	Change light and drain. Add table
06	16/01/15	I.Pozo	Change tolerance heigh spa
05	16/09/14	I.Pozo	Add 2 Spa support
04	12/05/14	I.Pozo	New spare template
03	26/05/14	I.Pozo	New templates

Remarks Dimensions in mm. General Tolerances +/- 10mm			COMMERCIAL			
Drawn	24/06/11	J.Jorba		Part Number	53990	
Checked	--	I.Nicolas		Rev.		07
Scale 1:20	General Tolerance DIN 7168 ISO 2768g			First Angle Projection		
Sheet 2/3	Property of IBERSPA S.L. Avda. Pla d'Urgell 2-8 25200 Cervera, Spain. Don't use without permission. Keep this information confidential and use it solely for the permitted purpose.					

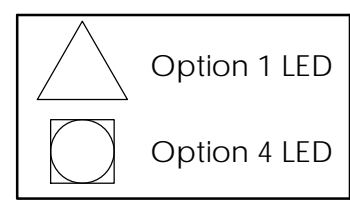


STAINLESS STEEL JETS + WHITE LIGHT			
Position Num.	PartNo SPARE	Description SPARE	Quant.
1	303325R	SPA SUPPORT	16
2	RPOR0223	WHITE SPA DRAIN 2" ADAPTOR SOCKET D.50	8
3	RPOR0224	WHITE SPA DRAIN 2" ADAPTOR ELBOW 90 D.50	2
4	REMP0046	WHITE-STAINLESS STEEL AIR NOZZLE	21
5	REMP0051	WHITE SPA DRAIN 2 1/2'	10
6	REMP0034	DIGITAL BUTTON IP68 ALUM. AIR	1
7	REMP0033	DIGITAL BUTTON IP68 ALUM. WATER	3
8	RROT0063	INTERNAL GREY DRAINPIPE	4
9	REMP0047	CURVED GRATING WIDTH 200 mm (21 PIECES)	376
10	RCOM0071	HIGH INTENSITY WHITE LED SPOTLIGHTS + STAINLESS STEEL ESCUTCHEON SPOTLIGHT	1
15	RPOR0235	JET BODY SET RD 2"	58
16	RPOR0230	FRONTAL JET 2" STAINLESS STEEL DIRECTIONAL	31
17	RPOR0260	JET TWIN ROTO 2" INOX	27
34	REMP0049	WHITE ROUND HEADREST SPA	2
34-A	REMP0049-A	ANCHORAGE HEADREST ROND	4
43	REMP0052	VACUUM POINT	1

WHITE JETS + WHITE LIGHT			
Position Num.	PartNo SPARE	Description SPARE	Quant.
1	303325R	SPA SUPPORT	16
2	RPOR0223	WHITE SPA DRAIN 2" ADAPTOR SOCKET D.50	8
3	RPOR0224	WHITE SPA DRAIN 2" ADAPTOR ELBOW 90 D.50	2
4	REMP0029	KIT STORM AIR NOZZLE	21
5	REMP0051	WHITE SPA DRAIN 2 1/2'	10
6	REMP0034	DIGITAL BUTTON IP68 ALUM. AIR	1
7	REMP0033	DIGITAL BUTTON IP68 ALUM. WATER	3
8	RROT0063	INTERNAL GREY DRAINPIPE	4
9	REMP0047	CURVED GRATING WIDTH 200 mm (21 PIECES)	376
10	RCOM0070	HIGH INTENSITY WHITE LED SPOTLIGHTS + WHITE ESCUTCHEON SPOTLIGHT	1
15	RPOR0235	JET BODY SET RD 2"	58
16	REMP0056	JET DIRECTIONAL 2" WHITE	31
17	REMP0057	JET 2" TWIN ROTO WHITE	27
34	REMP0049	WHITE ROUND HEADREST SPA	2
34-A	REMP0049-A	ANCHORAGE HEADREST ROND	4
43	REMP0052	VACUUM POINT	1

STAINLESS STEEL JETS + COLOUR LIGHT			
Position Num.	Part No SPARE	Description SPARE	Quant.
1	303325R	SPA SUPPORT	16
2	RPOR0223	WHITE SPA DRAIN 2" ADAPTOR SOCKET D.50	8
3	RPOR0224	WHITE SPA DRAIN 2" ADAPTOR ELBOW 90 D.50	2
4	REMP0046	WHITE-STAINLESS STEEL AIR NOZZLE	21
5	REMP0051	WHITE SPA DRAIN 2 1/2'	10
6	REMP0034	DIGITAL BUTTON IP68 ALUM. AIR	1
7	REMP0033	DIGITAL BUTTON IP68 ALUM. WATER	3
8	RROT0063	INTERNAL GREY DRAINPIPE	4
9	REMP0047	CURVED GRATING WIDTH 200 mm (21 PIECES)	376
10	RCOM0063	HIGH INTENSITY COLOURS LED SPOTLIGHTS + STEEL ESCUTCHEON SPOTLIGHT	4
15	RPOR0235	JET BODY SET RD 2"	58
16	RPOR0230	FRONTAL JET 2" STAINLESS STEEL DIRECTIONAL	31
17	RPOR0260	JET TWIN ROTO 2" INOX	27
34	REMP0049	WHITE ROUND HEADREST SPA	2
34-A	REMP0049-A	ANCHORAGE HEADREST ROND	4
43	REMP0052	VACUUM POINT	1

WHITE JETS + COLOUR LIGHT			
Position Num.	PartNo SPARE	Description SPARE	Quant.
1	303325R	SPA SUPPORT	16
2	RPOR0223	WHITE SPA DRAIN 2" ADAPTOR SOCKET D.50	8
3	RPOR0224	WHITE SPA DRAIN 2" ADAPTOR ELBOW 90 D.50	2
4	REMP0029	KIT STORM AIR NOZZLE	21
5	REMP0051	WHITE SPA DRAIN 2 1/2'	10
6	REMP0034	DIGITAL BUTTON IP68 ALUM. AIR	1
7	REMP0033	DIGITAL BUTTON IP68 ALUM. WATER	3
8	RROT0063	INTERNAL GREY DRAINPIPE	4
9	REMP0047	CURVED GRATING WIDTH 200 mm (21 PIECES)	376
10	RCOM0061	HIGH INTENSITY COLOURS LED SPOTLIGHTS + WITHE ESCUTCHEON SPOTLIGHT	4
15	RPOR0235	JET BODY SET RD 2"	58
16	REMP0056	JET DIRECTIONAL 2" WHITE	31
17	REMP0057	JET 2" TWIN ROTO WHITE	27
34	REMP0049	WHITE ROUND HEADREST SPA	2
34-A	REMP0049-A	ANCHORAGE HEADREST ROND	4
43	REMP0052	VACUUM POINT	1



VALID FROM 15/01/2016

According to our policy of continuous improvement, dimensions, features or components of this product can be partially or completely changed without prior notice. It's Customer responsibility to verify that this is the last version of the drawing

Change No.	Date	Name	Modification
07	28/04/2016	I.Pozo	Change light and drain. Add table
06	16/01/15	I.Pozo	Change tolerance heigh spa
05	16/09/14	I.Pozo	Add 2 Spa support
04	12/05/14	I.Pozo	New spare template
03	26/05/14	I.Pozo	New templates

Remarks Dimensions in mm. General Tolerances +/- 10mm			SPARE DRAWING		
Drawn	24/06/11	J.Jorba		Part Number	53990
Checked	-	I.Nicolas		Rev.	07
Scale	1:25	General Tolerance DIN 7168 ISO 2768g		First Angle Projection	
Sheet	3/3		<small>Property of IBERSPA S.L. Avda. Pla d'Urgell 2-8 25200 Cervera, Spain. Don't use without permission. Keep this information confidential and use it solely for the permitted purpose.</small>		