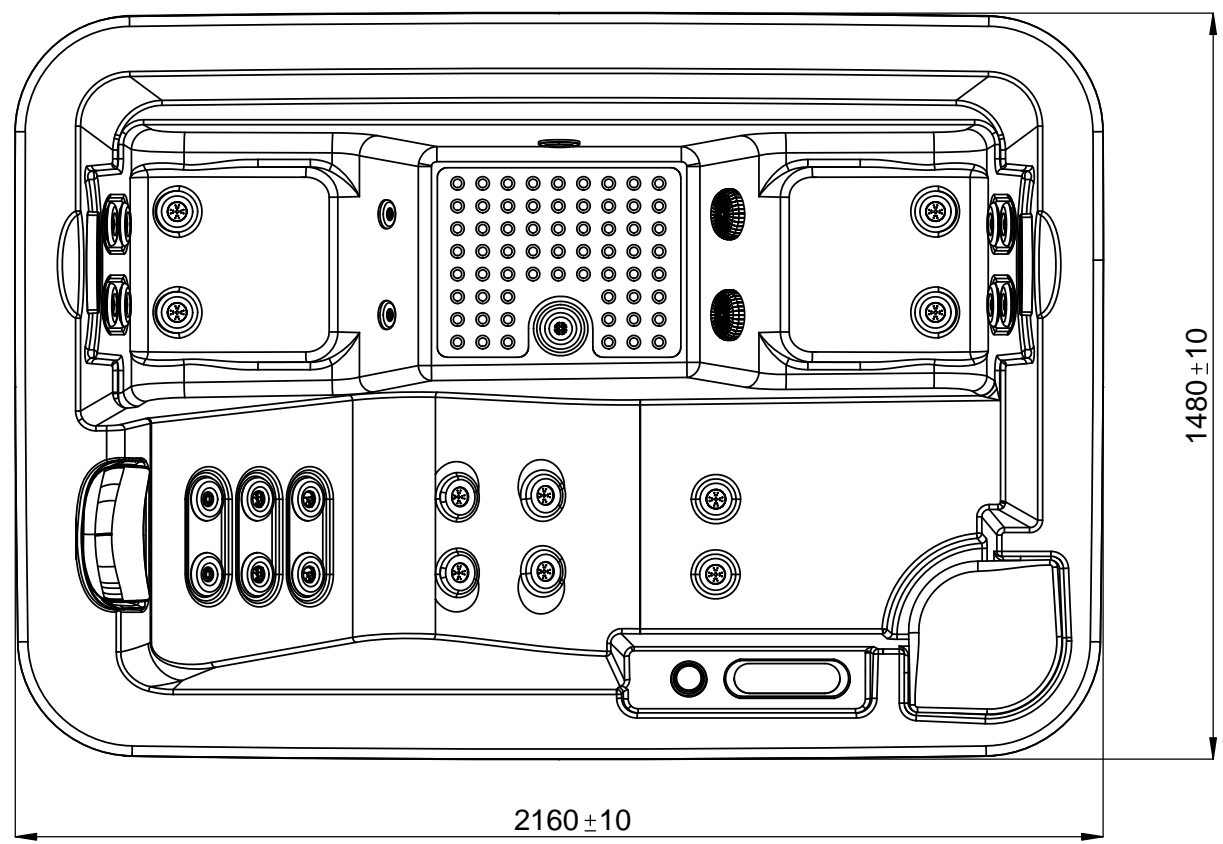
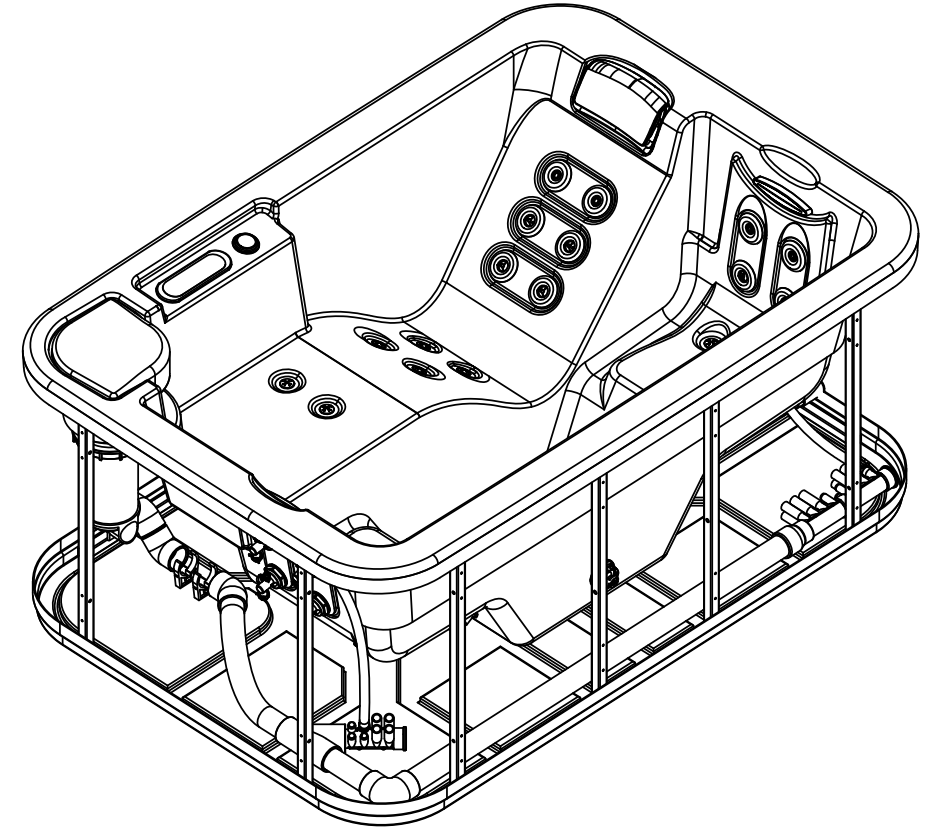
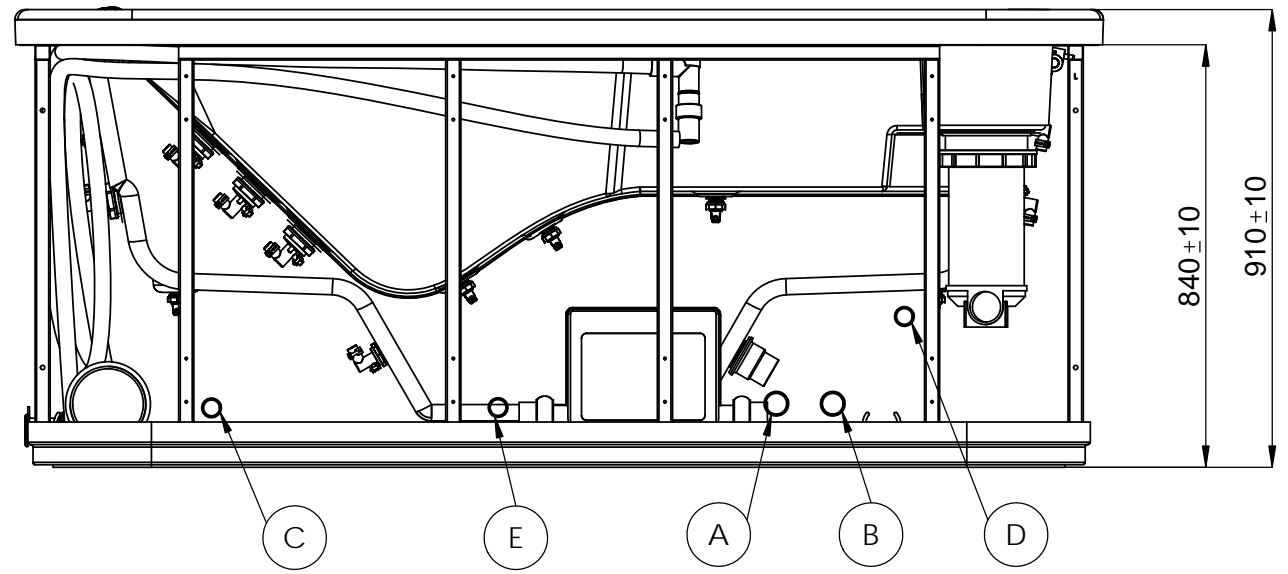
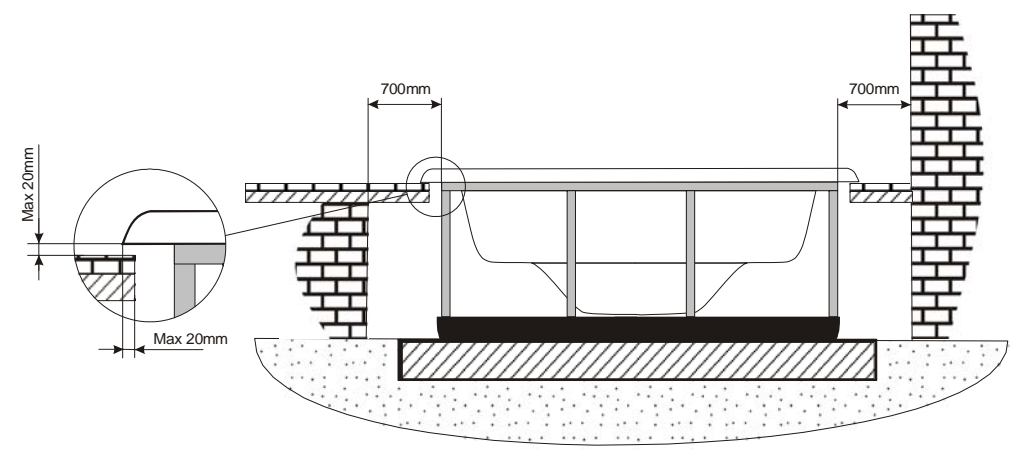



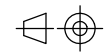
A	Suction-Water Massage Pump 1	Ø 63 FEMALE SOCKET
B	Return-Water Massage Pump 1	Ø 63 FEMALE SOCKET
C	Return-Air Massage	Ø 50 FEMALE SOCKET
D	Suction/Return-Filtration Pump Bottom Spa	Ø 50 FEMALE SOCKET
E	Return-Filtration Pump Inlets	Ø 50 FEMALE SOCKET

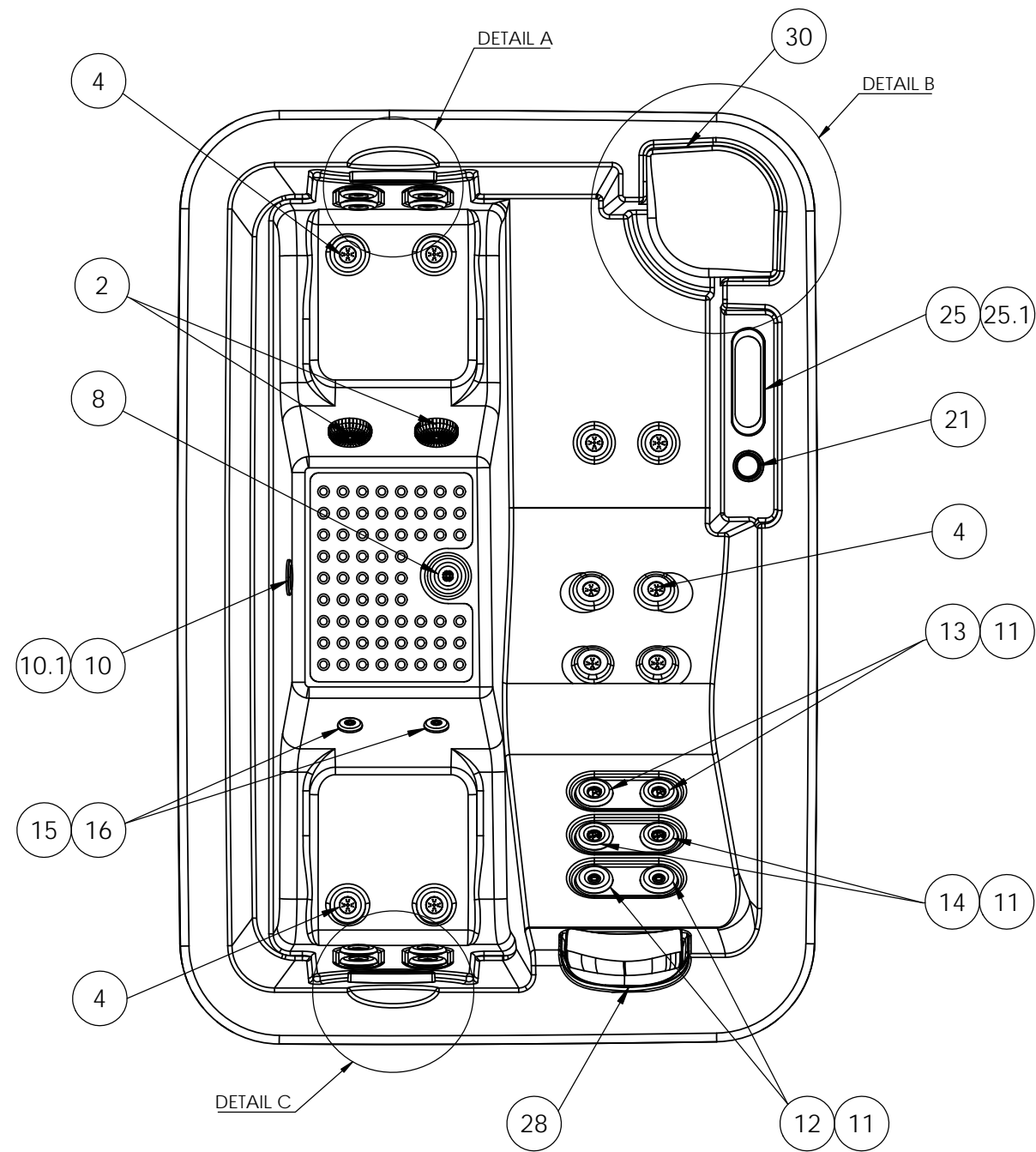


WARNING:
It's essential to keep a minimum clearance access of **700mm** all around.

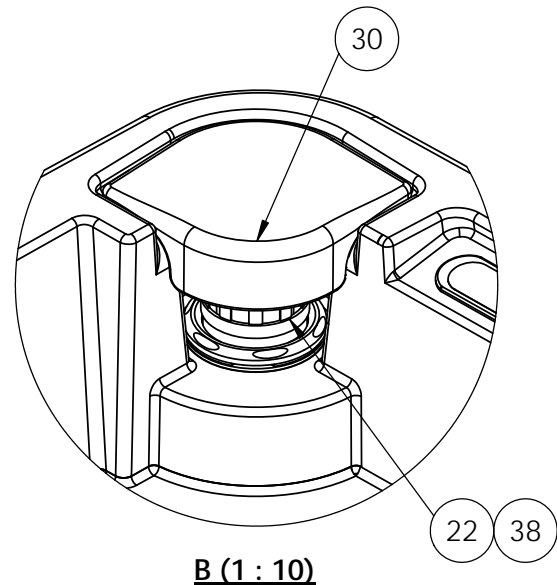
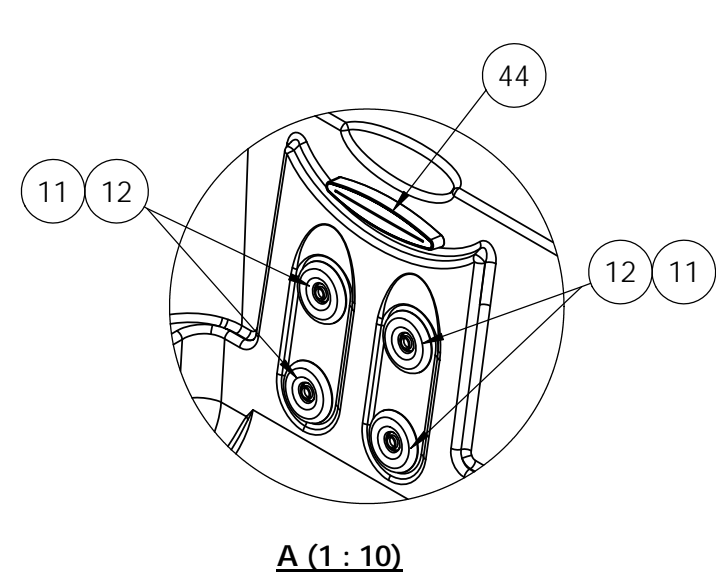
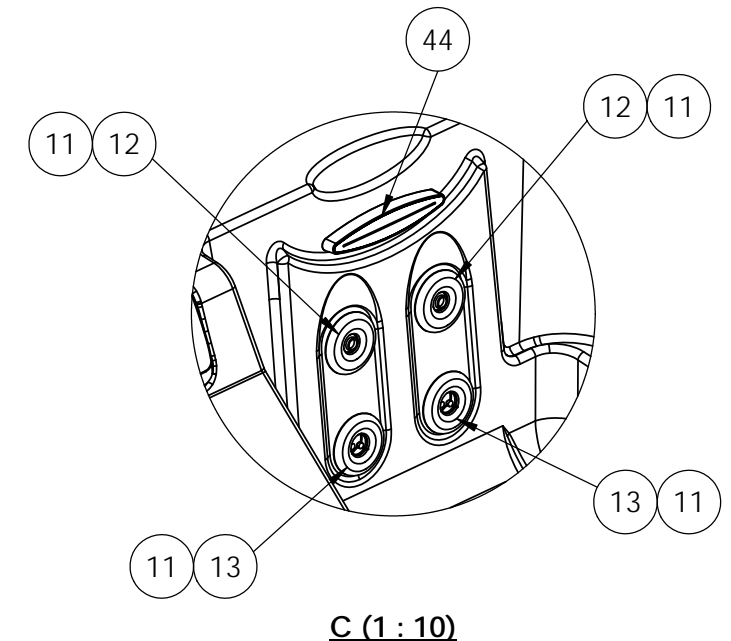


According to our policy of continuous improvement, dimensions, features or components of this product can be partially or completely changed without prior notice.
It's Customer responsibility to verify that this is the last version of the drawing

02	28/10/2014	I.Pozo	Change scale and new spare template
01	19/05/2014	I.Pozo	New templates
00	30/08/2011	J.Jorba	Draqing creation
Change No.	Date	Name	Modification
Remarks			COMMERCIAL
Dimensions in mm. General Tolerances +/- 10mm			
Drawn	30/08/2011	J.Jorba	
Checked	-	I.Nicolas	
Scale 1:15	General Tolerance DIN 7168 ISO 2768g		
Sheet 1/2			
			Part Number
			54438
			Rev.
			02
			First Angle Projection
			
Property of IBERSPA S.L. Avda. Pla d'Urgell 2-8 25200 Cervera, Spain. Don't use without permission. Keep this information confidential and use it solely for the permitted purpose.			



ACCESSORIES			
Position Num.	Part Nº SPARE	Description SPARE	Quant.
2	RPOR0225	GREY SPA DRAIN 2" ADAPTOR SOCKET D.50	2
4	REMP0046	WHITE-STAINLESS STEEL AIR NOZZLE	10
8	RPOR0003	GREY DRAIN SET - BODY+COVER+ASSEMBLY	1
10	RPOR0239	SPOTLIGHT LED SET RD	1
10.1	RPOR0240	MASTER LED LIGHT	1
11	RPOR0236	JET BODY SET RD 3"	14
12	RPOR0231	FRONTAL JET 3" STAINLESS STEEL DIRECTIONAL	8
13	RPOR0232	FRONTAL JET 3" STAINLESS STEEL 1 JET ROTO	4
14	RPOR0233	FRONTAL JET 3" STAINLESS STEEL TWIN ROTO	2
15	RPOR0235	JET BODY SET RD 2"	2
16	RPOR0230	FRONTAL JET 2" STAINLESS STEEL DIRECTIONAL	2
21	RPOR0264	AROMA DISPENSER ASM LIT	1
22	RPOR0238	SKIMERFILTER RD LOW PROFILE	1
25	RPOR0195	DIGITAL PANEL VL700+COVER 1 PUMP + BLOWER	1
25.1	RPOR0201	COVER DIGITAL PANEL VL700 1 PUMP + BLOWER	1
28	RPOR0032	SMALL HEADREST GREY	1
30	RPOR0156	SKIMFILTER COVER	1
38	RPOR0247	FILTER CARTRIDGE SKIMFILTER RD	1
44	RPOR0278	SS 7" WATERFALL	2



According to our policy of continuous improvement, dimensions, features or components of this product can be partially or completely changed without prior notice. It's Customer responsibility to verify that this is the last version of the drawing

Change No.	Date	Name	Modification
02	28/10/2014	I.Pozo	Change scale and new spare template
01	19/05/2014	I.Pozo	New templates
00	30/08/2011	J.Jorba	Draqing creation

Remarks Dimensions in mm. General Tolerances +/- 10mm		SPARE PARTS DRAWING		
Drawn	30/08/2011	J.Jorba		Part Number 54438
Checked	-	I.Nicolas		
Scale	1:15	General Tolerance DIN 7168 ISO 2768g		First Angle Projection
Sheet	2/2	Property of IBERSPA S.L. Avda. Pla d'Urgell 2-8 25200 Cervera, Spain. Don't use without permission. Keep this information confidential and use it solely for the permitted purpose.		