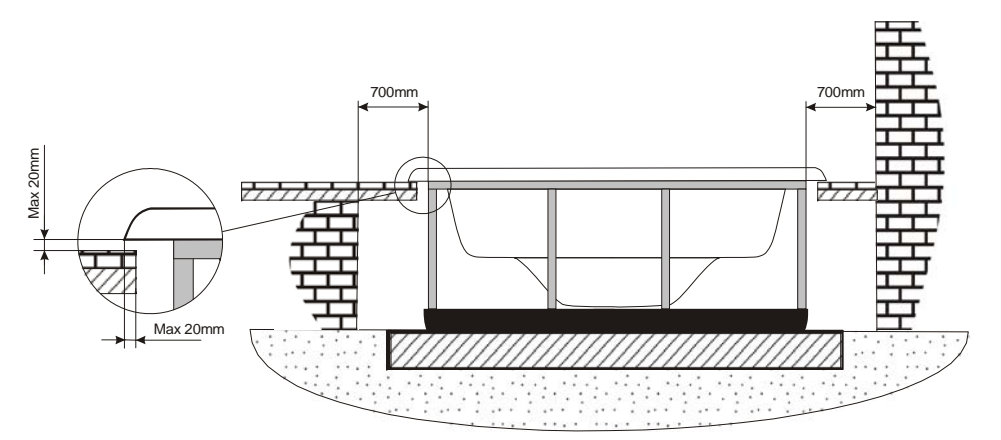


Inground option

WARNING:
It's essential to keep a minimum clearance access of **700mm** all around.



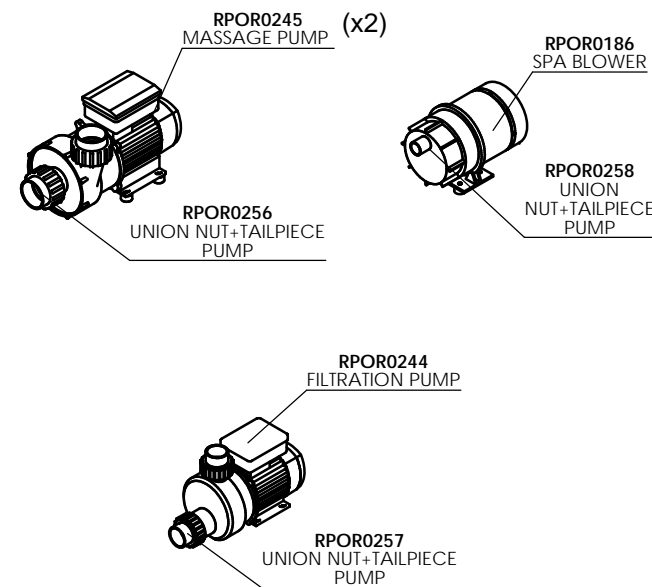
↑
↑
ELECTRICAL BOARD CONNECTIONS ACCESS

According to our policy of continuous improvement, dimensions, features or components of this product can be partially or completely changed without prior notice. It's Customer responsibility to verify that this is the last version of the drawing

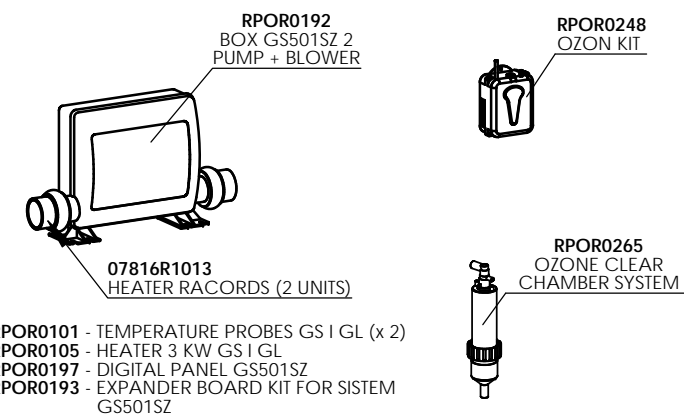
| | | | | | | |
|---|------------|--------|---|------------|-----------------------------|-------------------|
| 00 | 29/05/2015 | I.Pozo | Drawing creation | | | |
| Change No. | Date | Name | Modification | | | |
| Remarks | | | | COMMERCIAL | | |
| Dimensions in mm. General Tolerances +/- 10mm | | | | | | |
| Drawn | 29/05/2015 | I.Pozo | | | Part Number 62399 | Rev. 00 |
| Checked | 29/05/2015 | V.Saiz | | | | |
| Scale | 1:15 | | General Tolerance DIN 7168 ISO 2768g | | | |
| Sheet | 1/2 | | | | | |

| Position Num. | Part Nº SPARE | Description SPARE | Quant. |
|---------------|---------------|--|--------|
| 2 | RPOR0225 | GREY SPA DRAIN 2" ADAPTOR SOCKET D.50 | 4 |
| 4 | REMP0046 | WHITE-STAINLESS STEEL AIR NOZZLE | 14 |
| 8 | RROT0063 | INTERNAL GREY DRAINPIPE | 1 |
| 10 | RPOR0239 | SPOTLIGHT LED SET RD | 5 |
| 10.1 | RPOR0240 | MASTER LED LIGHT | 1 |
| 10.2 | RPOR0252 | LED SLAVE LIGHT | 5 |
| 11 | RPOR0236 | JET BODY SET RD 3" | 30 |
| 12 | RPOR0231 | FRONTAL JET 3" STAINLESS STEEL DIRECTIONAL | 24 |
| 13 | RPOR0232 | FRONTAL JET 3" STAINLESS STEEL 1 JET ROTO | 2 |
| 14 | RPOR0233 | FRONTAL JET 3" STAINLESS STEEL TWIN ROTO | 4 |
| 15 | RPOR0235 | JET BODY SET RD 2" | 21 |
| 16 | RPOR0230 | FRONTAL JET 2" STAINLESS STEEL DIRECTIONAL | 14 |
| 17 | RPOR0260 | JET TWIN ROTO 2" INOX | 7 |
| 18 | RPOR0261 | VENTURY CONTROLLER SS | 3 |
| 19 | RPOR0263 | VALVE ON-OFF 1" SS | 2 |
| 20 | RPOR0262 | 3 WAYS SS VALVE 2" | 1 |
| 21 | RPOR0264 | AROMA DISPENSER ASM LIT | 1 |
| 22 | RPOR0238 | SKIMERFILTER RD LOW PROFILE | 1 |
| 25 | RPOR0196 | DIGITAL PANEL VL700+COVER 2 PUMP + BLOWER | 1 |
| 25.1 | RPOR0202 | COVER DIGITAL PANEL VL700 2 PUMP + BLOWER | 1 |
| 28 | RPOR0032 | SMALL HEADREST GREY | 3 |
| 30 | RPOR0156 | SKIMFILTER COVER | 1 |
| 38 | RPOR0247 | FILTER CARTRIDGE SKIMFILTER RD | 1 |
| 44 | RPOR0278 | SS 7" WATERFALL | 2 |
| 45 | RPOR0234 | FRONTAL JET 5" STAINLESS STEEL DIRECTIONAL | 1 |
| 46 | RPOR0237 | JET BODY SET RD 5" | 1 |
| 49 | RPOR0136 | DRAIN FILL VALVE (BLACK) | 1 |
| 50 | RPOR0267 | 4 LEDS LIGHTS POINTS | 7 |
| 51 | RPOR0268 | 1 LED LIGHT POINT | 4 |
| 70 | RPOR0280 | LEDS TRANSFORMER 5V DC | 1 |
| 71 | RPOR0281 | LEDS CONTROLER | 1 |
| 73 | RPOR0259 | CABLE 4 OUTPUTS + LEDS | 4 |

PUMPS SPARE CODES

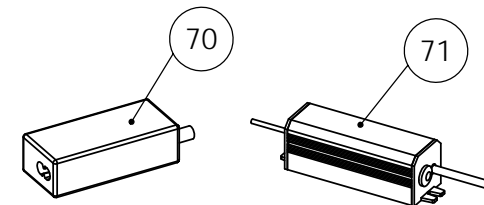


HEATER AND DESINFECTATION SPARE CODES

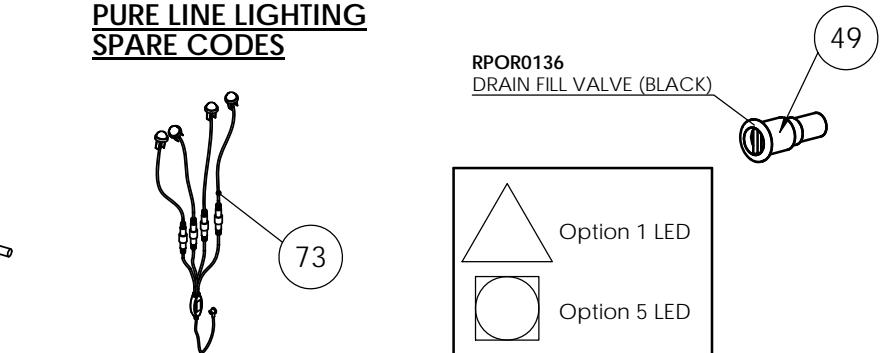


RPOR0101 - TEMPERATURE PROBES GS I GL (x 2)
 RPOR0105 - HEATER 3 KW GS I GL
 RPOR0197 - DIGITAL PANEL GS501SZ
 RPOR0193 - EXPANDER BOARD KIT FOR SISTEM GS501SZ

LIGHT COMPONENTS SPARE CODES



PURE LINE LIGHTING SPARE CODES



According to our policy of continuous improvement, dimensions, features or components of this product can be partially or completely changed without prior notice. It's Customer responsibility to verify that this is the last version of the drawing

| Change No. | Date | Name | Modification |
|------------|------------|--------|------------------|
| 00 | 29/05/2015 | I.Pozo | Drawing creation |

| | | | |
|---|------------|---|-----------------------------|
| Remarks | | SPARE PARTS DRAWING | |
| Dimensions in mm. General Tolerances +/- 10mm | | | |
| Drawn | 29/05/2015 | I.Pozo | Part Number 62399 |
| Checked | 29/05/2015 | V.Saiz | |
| Scale | 1:15 | General Tolerance DIN 7168 ISO 2768g | First Angle Projection |
| Sheet | 2/2 | | |

