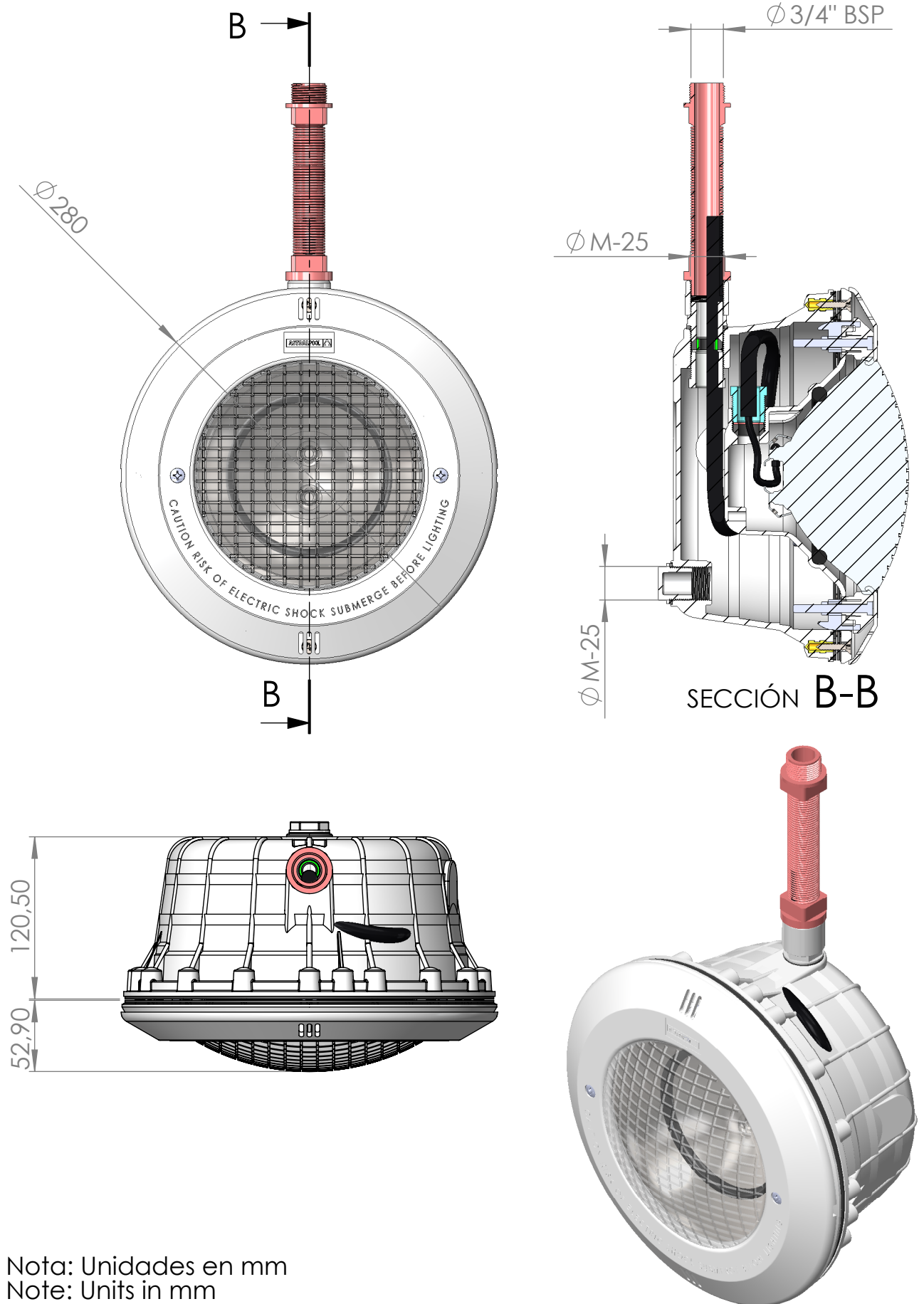


CODIGO / CODE: **07667**
DESCRIPCION: **PROJECTOR STD 300W PISC. PREF.**
DESCRIPTION: **STD SERIES U/W LIGHT 300W PREF.POOL**



Nota: Unidades en mm
Note: Units in mm